

Vector BSA

SPARE PARTS LIST



[SORG Rollstuhltechnik](#)

Revision: 26.09.2023 14:07:53



Dear customer,
in the following pages you will find a complete spare part list with all parts used to build our wheelchairs.

To ensure an accurate delivery of spare parts it is vital to provide the following information from the identification label in addition to the Article-Number (Art.-No.).

1. Serial number of the chair

The serial number enables us to identify the configuration of delivery of the specific chair in.

2. Seat width, seat depth and back height

The measures on the identification label are specified for the delivery configuration. If you changed any of these measures after delivery e.g. by growing the chair, please specify the actual new measures.

3. Lower leg length

We need the LLL to decide for the right version of several attachments which are connected to the LLL.

4. Frame colour

Please indicate the frame colour of the chair when ordering a powder coated spare part. Please note also if the finish alternative is shiny or matt.

5. Any other change after delivery (e.g. attachments)

We cannot know about changes after delivery. If you are not sure if such a change has any influence on the needed spare parts, please give us some details about it.

List of abbreviations

Pcs.	piece number
item no	item number to order specific spare part
Q/1	quantity per wheelchair/assembly group
SW	seat width
SD	seat depth
BH	back height
alt.	alternative
l/r	left/right

Handling annotations

Only items with item number are to order.
right / left are in relation to driving direction.

If you need further assistance, please contact us:

SORG Rollstuhltechnik GmbH & Co.KG

Benzstraße 3-5
68794 Oberhausen-Rheinhausen, Germany
Fon +49 7254 - 9279 0
Fax +49 7254 - 9279 10

info@sorgrollstuhltechnik.de

<https://www.sorgrollstuhltechnik.de>

Opening times:
Monday - Friday 8.00 am - 4.30 pm

Technical alterations and misprints excluded.
Prices on demand.

Contents

Frame

Frame	1
Frame extension for seat shell	2
Anti-tipper	4
Tipping-aid	5
Crutch holder with tipping aid	6

Leg Support

Leg support holder, elevating	7
Leg support holder, elevating (only with abducted frame)	9
Calf rest	11
Leg support undivided, hinged sideways, internal mounting 403601	12
Leg support undivided, hinged sideways, external mounting 403610	14
Leg support divided, hinged sideways, internal mounting 403602	16
Leg support divided, hinged sideways, external mounting 403612	17
Heel cups	18
Calf belt	19

Seat

Seat cover + cover carrier	20
SeatFix + SeatFix carrier	21
Seat cushion	22
Abduction wedge	23
Therapy table, version 1, hinged sideways	24
Therapy table, version 2, fixed to the arm pad	25

Back

Back tube standard	26
Back, adjustable in angle	28
Back with gas pressure spring adjustment	31
Stabilizer bar, tripartite	32
Stabilizer bar, undivided	33
Push handles, extendable	35
Push bar, extendable (from SW32)	37
Push bar, extendable (to SW30)	38
Seat cover, adjustable	39
Curved back plate	40
Back elongation	43
Cushion for curved back plate	44
Truss pads Stealth from BH 35cm	45
Head rest	47
Connection for back shell	48

Contents

Side guard

Side guards standard	50
Arm rest for side guards standard	51
Clothes guard side guard	52
Desk side guards	53
Clothes guard desk side guards	55
Arm rest for desk side guards	56
Long side guard	57
Arm rest for long side guard	59
Desk/long side guard, front socket	60
Arm pad with raster	61
Side guard for back with gas pressure spring	62
Desk Side guard for back with gas pressure spring	64
Long Side guard for back with gas pressure spring	65

Caster wheel

Caster wheel adapter Aluminium	67
Adapter for low seat heights	68
Caster wheel fork	69
Caster wheel fork with quick-release axle	70
Caster wheels	71

Rear wheel

Axle plate standard	72
Axle plate drum brake	74
Wheel base lengthening	75
Rear wheels	77
Double handrims standard	78
Double handrims drum brake	80
Telescopic rod	82
Tyres	83
Handrims	84
Handrim covers	85
Spoke guards	86

Brakes

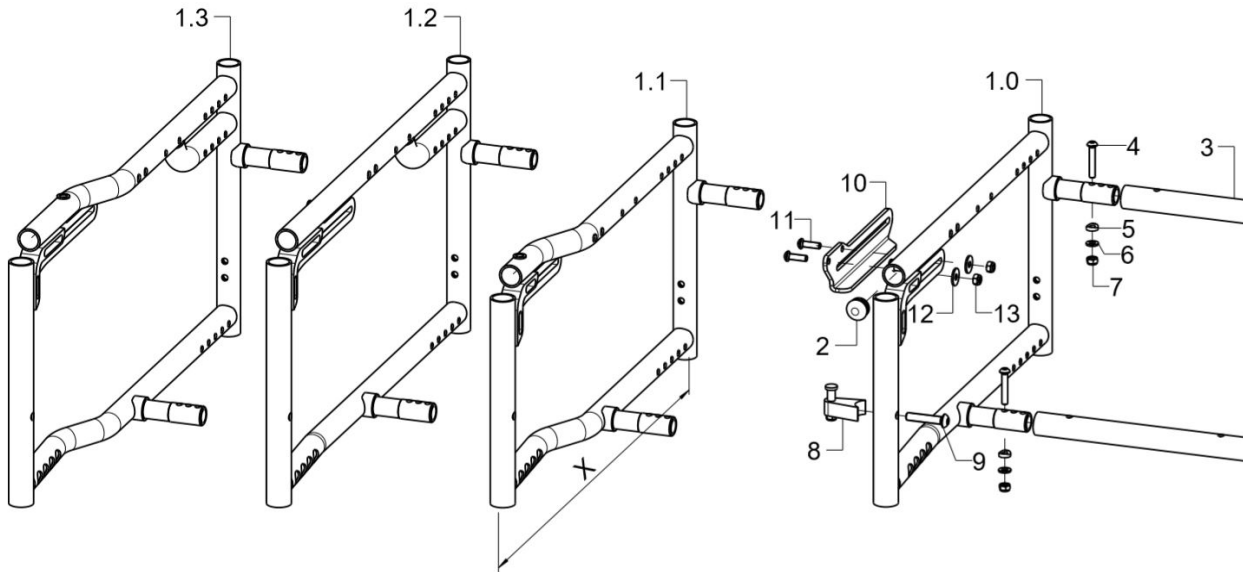
Knee lever brake	88
Bowden cable brake pressure piece	89
Bowden cable brake control/non-control sides	91
Brake lever for drum brake	92
Brake lever extensions	93



Contents

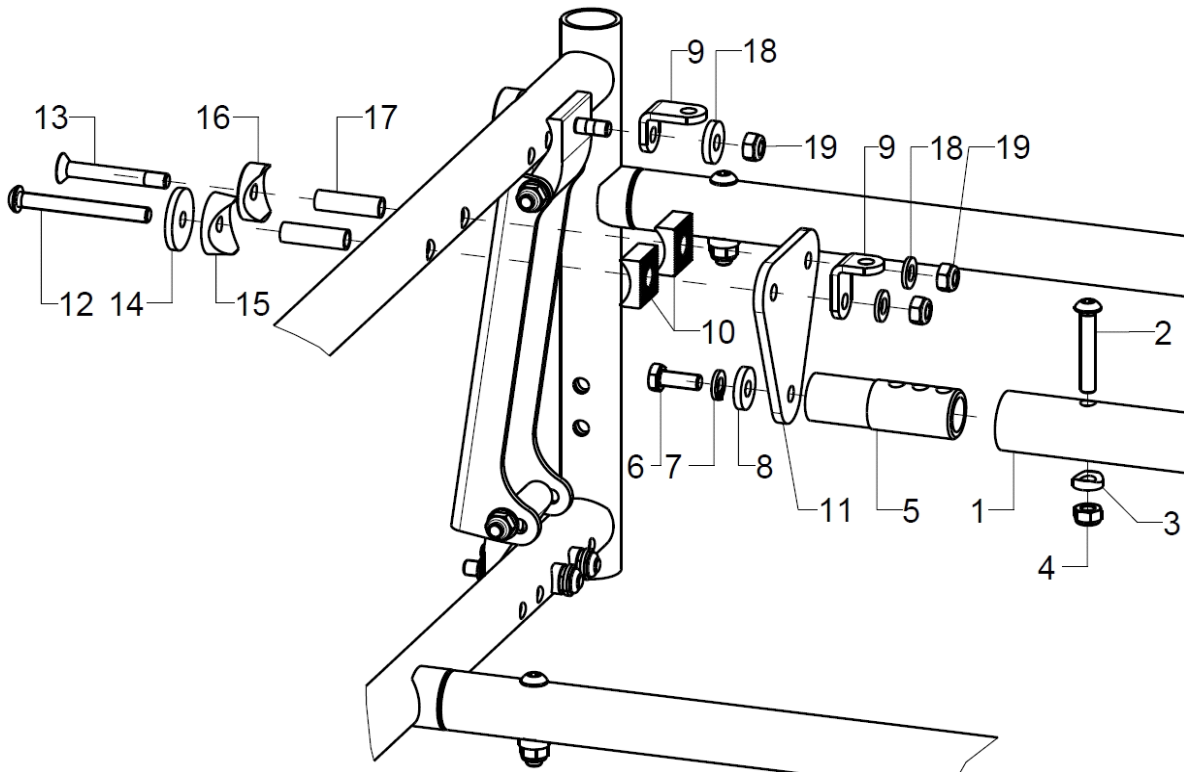
<u>Options</u>	
Caddy	94
2-point Hip belt with Velcro and synthetic lock	95
2-point Hip belt with metal lock	96
4-point Hip belt with Velcro and synthetic lock	97
4-point Hip belt with metal lock	98
Butterfly harness	99

Frame



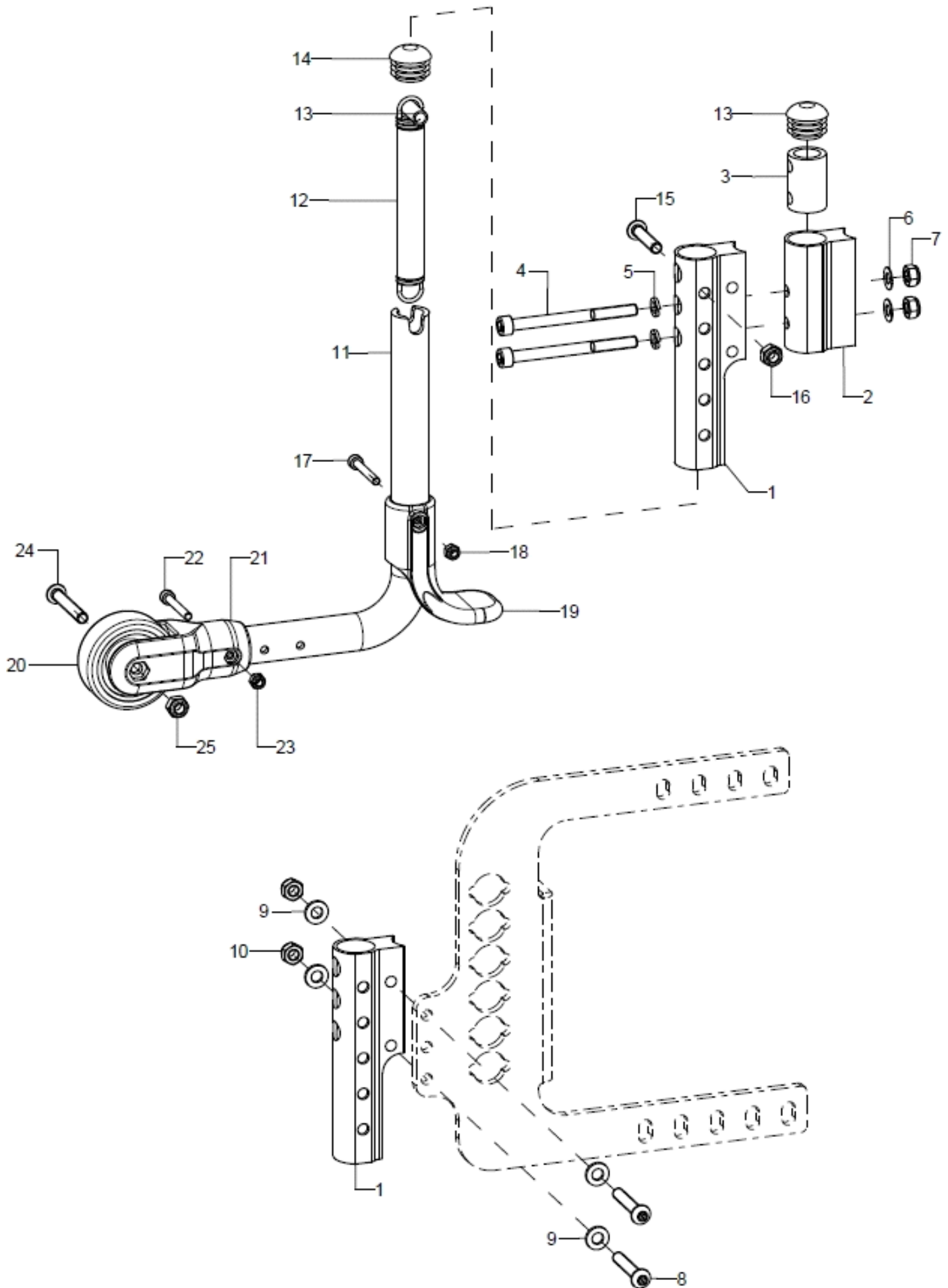
pcs.	Q/1	item no.	Product name:	Variant:	drawing no.
1.0+2	1	59800402			59.81.04.01.02.81
o.B.+2	1	59800401			59.81.04.01.01.81
1.0+2	1	59800502			59.81.05.01.02.81
o.B.+2	1	59800501			59.81.05.01.01.81
1.0+2	1	59800602			59.81.06.01.02.81
o.B.+2	1	59800601			59.81.06.01.01.81
1.1+2	1	59800102			59.81.01.01.02.81
o.B.+2	1	59800101			59.81.01.01.01.81
1.1+2	1	59800202			59.81.02.01.02.81
o.B.+2	1	59800201			59.81.02.01.01.81
1.1+2	1	59800302			59.81.03.01.02.81
o.B.+2	1	59800301			59.81.03.01.01.81
1.2+2	1	59800802			59.81.08.01.02.81
o.B.+2	1	59800801			59.81.08.01.01.81
1.3+2	1	59800702			59.81.07.01.02.81
o.B.+2	1	59800701			59.81.07.01.01.81
2	1		plugs for tube $\varnothing 22 \times 1-2$, black		04.63.10.22.00.10
3	2	58345B	crossbar D=24x2xSW		58.34.01.00.00.69
4-7	2	583499	mounting set crossbar on frame		XXXXXXXXXXXX
4	2		lens head screw with hexagon socket ISO 7380 - M6x35		01.42.08.59.65.00
5	2		saddle washer $\varnothing 12/6 \times 2,5$		35.04.16.01.00.10
6	2		washer DIN 125 - A 6,4		02.61.06.41.41.20
7	2		hexagon nut self-locking low form DIN 985 - M6		02.32.00.60.01.20
8+9	1	40370112			40.37.01.12.00.75
10-13	1	35007602			35.00.76.01.02.00
o.B.	1	35007601			35.00.76.01.01.00
11	2		lens head screw with hexagon socket ISO 7380 - M6x20		01.42.08.54.05.00
12	2		washer DIN 9021 -6,4		02.79.06.41.60.20
13	2		hexagon nut self-locking low form DIN 985 - M6		02.32.00.60.01.20

Frame extension for seat shell



pcs.	Q/1	item no.	Product name:	Variant:	drawing no.
1-19	1	58340100	frame extention for seat shells complete		XXXXXXXXXXXX
1	1	58345B	crossbar D=24x2xSW		58.34.01.00.00.69
2-4	2	583499	mounting set crossbar on frame		XXXXXXXXXXXX
2	1				01.42.08.59.62.60
3	1				40.04.16.01.00.10
4	1		hexagon nut self-locking low form DIN 985 - M6		02.32.00.60.01.20
5	2	583402	crossbar adapter, RD 20x64		58.34.01.06.00.69
6-8	2	58340299	mounting set traverse adapter		XXXXXXXXXXXX
6	1				01.03.08.52.02.40
7	1		spring ring DIN 127- A6		02.85.30.60.05.10
8	1				02.77.06.22.00.20
9	4	402705	joint angle L 25x19x3x15		40.27.05.01.00.10
10	4	190835	half shell 20 R12, D8		19.08.01.02.00.69
11	2	583403	crossbar adapter Bl 4x65x74,5, black anodized		19.13.02.01.00.69
12-19	2	58340399	mounting set traverse holder on frame		XXXXXXXXXXXX
12	1		lens head screw with hexagon socket ISO 7380 - M6x55		01.42.08.63.65.00
13	1		counter sunk screw with hexagon socket DIN 7991 M6X45		01.65.08.61.05.00
14	1		washer D 25/d=6,2x3		28.00.21.01.00.10
15	1		saddle washer black ø 24/6		04.63.39.24.06.30
16	1				20.15.09.05.00.69
17	2				27.00.05.05.00.10
18	3		washer DIN 125 - A 6,4		02.61.06.41.41.20
19	3		hexagon nut self-locking low form DIN 985 - M6		02.32.00.60.01.20

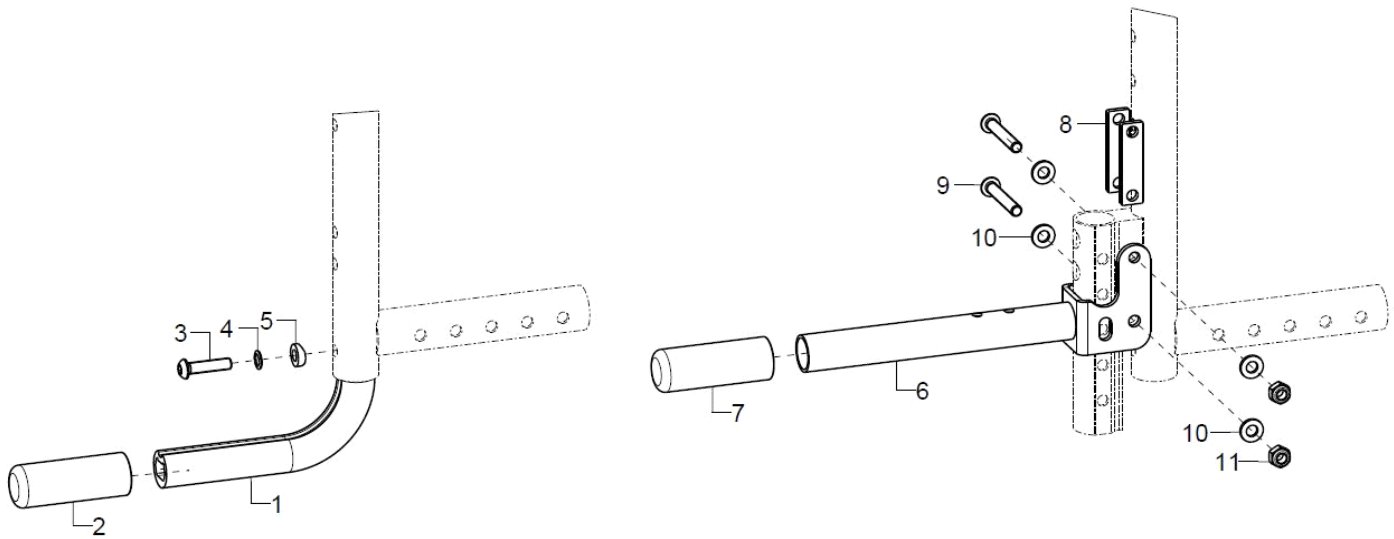
Anti-tipper





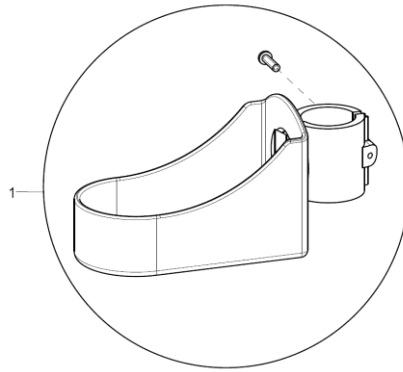
pcs.	Q/1	item no.	Product name:	Variant:	drawing no.
1+4-7+11-25	1	721501	anti-tipper compl., pos. 1 + mounting set A+ anti-tipper bail premounted for 20/22" size driving wheel		72.15.01.02.00.74
1+4-7+11-25	1	721502	anti-tipper compl., pos. 1 + mounting set A+ anti-tipper bail premounted for 24" size driving wheel		72.15.01.03.00.74
1+4-7+11-25	1	721503			
1+8-25	1	721505	anti-tipper for wheel base extension, complete pos. 1 + mounting set B + anti-tipper bail premounted for 20/22" size driving wheel		
1+8-25	1	721506	anti-tipper for wheel base extension, complete pos. 1 + mounting set B + anti-tipper bail premounted for 24" size driving wheel		
1	1	72150106	anti-tipper holder		72.15.01.06.00.74
2-7+14	1	721562	anti-tipper adapter SA		72.15.62.01.00.69
3	1				72.15.62.02.00.69
4-7	1	7215010699	mounting set anti-tipper holder		XXXXXXXXXXXX
4	2		cylinder screw DIN 912 M6x35		01.22.08.59.62.40
altern.	2				01.22.08.66.02.40
5	2				02.98.06.05.00.20
6	2		fitted washer DIN 988 - 6x12x0,5 - A2		02.68.06.00.50.30
altern.	2		saddle washer Ø12x3x7		40.13.01.03.00.24
7	2		hexagon nut self-locking low form DIN 985 - M6		02.32.00.60.01.20
8-10	1	7215020699	mounting set anti-tipper holder wheel base extension		
8	2				01.42.08.59.62.60
9	4		washer DIN 125 - A 6,4		02.61.06.41.41.20
10	2		hexagon nut self-locking low form DIN 985 - M6		02.32.00.60.01.20
11-25	1	72150001	anti-tipper bail premounted for 20/22" size driving wheels		
11-25	1	72150002	anti-tipper bail premounted for 24" size driving wheels		
11-25	1	72150003			
11	1		anti-tipper bail		72.15.01.XX.00.74
12-18	1	72150107	tension spring, loop 180°, 1/1 centred, 13,5x2x113		04.22.01.41.13.00
13	1		spacer bushing 18,4 mm		45.03.10.00.00.73
14	1		plugs for tube Ø22x1-2, black		04.63.10.22.00.10
15	1		lens head screw with hexagon socket ISO 7380 - M6x30		01.42.08.58.65.00
16	1		hexagon nut self-locking low form DIN 985 - M6		02.32.00.60.01.20
17	1		cylinder screw DIN 912 M4x30		01.22.07.38.62.40
18	1				02.33.00.40.01.20
19	1	72150104	tipping lever black		72.15.01.04.00.74
20	1	720004	wheel Ø50, width 18, nob width 20, axle Ø 6, PU grey		04.52.42.50.00.30
21	1	72150101	holder anti-tipper for wheel Ø50 mm, incl. mounting set		72.15.01.01.00.74
22	1		cylinder screw DIN 912 M4x30		01.22.07.38.62.40
23	1				02.33.00.40.01.20
24	1		lens head screw with hexagon socket ISO 7380 - M6x40		01.42.08.60.65.00
25	1		hexagon cap nut low form with clamp DIN 986 - M6		02.33.00.60.11.20

Tipping-aid



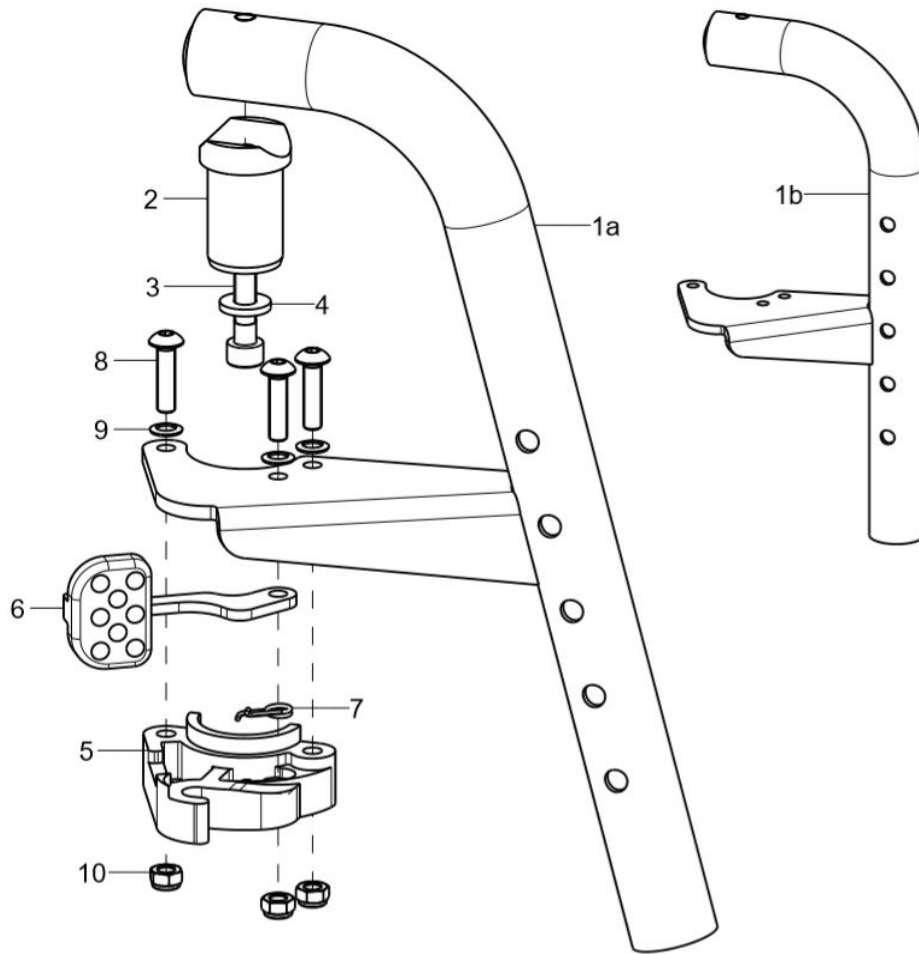
pcs.	Q/1	item no.	Product name:	Variant:	drawing no.
1-5	1	7401	tipping lever complete		
1	1				74.01.01.01.00.10
2	1	740102	covered cap		74.01.02.01.00.10
3-5	1	74000099	mounting set for tipping lever		
3	1		lens head screw with hexagon socket ISO 7380 - M6x25		01.42.08.56.65.00
4	1		lock washer S6		02.99.10.60.01.10
5	1		saddle washer $\varnothing 12/6 \times 2,5$		35.04.16.01.00.10
6-11	1	7404			74.04.02.00.00.74
7	1	740102	covered cap		74.01.02.01.00.10
8	2				74.04.02.03.00.74
9	2		lens head screw with hexagon socket ISO 7380 - M6x40		01.42.08.60.65.00
10	4		washer DIN 125 - A 6,4		02.61.06.41.41.20
10	2		hexagon nut self-locking low form DIN 985 - M6		02.32.00.60.01.20

Crutch holder with tipping aid



pcs.	Q/1	item no.	Product name:	Variant:	drawing no.
1	1	7101	crutch holder with mounting screw		71.01.01.00.00.10

Leg support holder, elevating



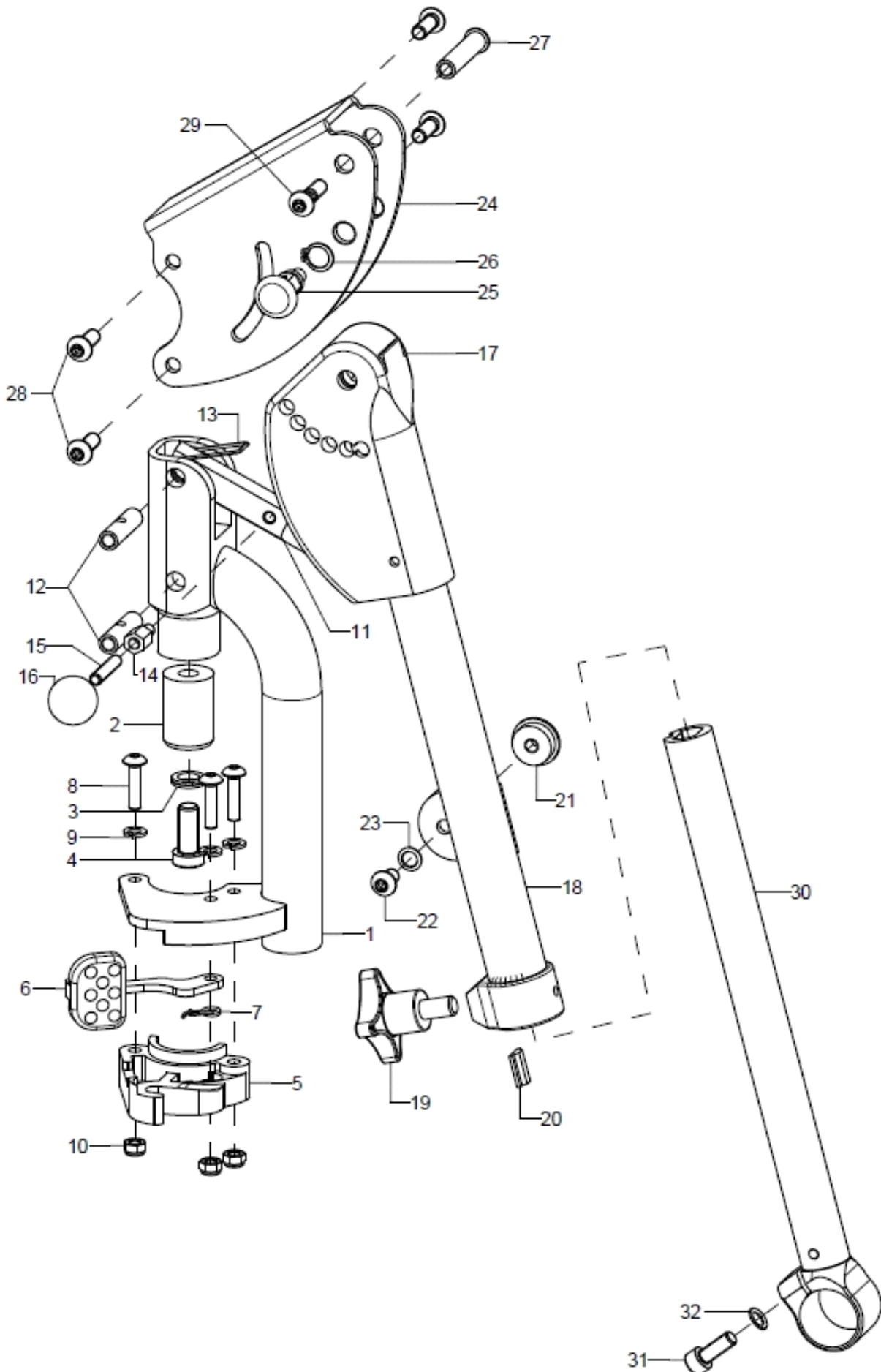
pcs.	Q/1	item no.	Product name:	Variant:	drawing no.
1a-4	1	40370102			40.37.01.00.02.75
o.B.	1	40370101			40.37.01.00.01.75
1a-4	1	40370202			40.37.02.00.02.75
o.B.	1	40370201			40.37.02.00.01.75
1b-4	1	40370302			40.37.03.00.02.75
o.B.	1	40370301			40.37.03.00.01.75
2-4	1	40370103			40.37.01.03.00.75
3	1				01.22.08.58.62.40
4	1		washer reinforced $\varnothing 14/6,2 \times 2$		58.30.15.01.00.24
5-10	1	40370122			40.37.01.04.02.75
o.B.	1	40370121			40.37.01.04.01.75
6	1				40.37.01.08.00.75
7	1				40.37.01.09.02.75
o.B.	1				40.37.01.09.01.75
8	3		lens head screw with hexagon socket ISO 7380 - M5x20		01.42.07.94.65.00
9	3		lock washer S5		02.99.10.50.01.10
10	3		hexagon nut self-locking low form DIN 985 - M5		02.32.00.50.01.20

Leg support holder, elevating (only with abducted frame)

For lower leg length less seat cushion height:

Standard: 20,5 to 46cm;

XL: 24,5 to 50cm



pcs. Q/1 item no. Product name:

1-30 1 40370502

o.B. 1 40370501

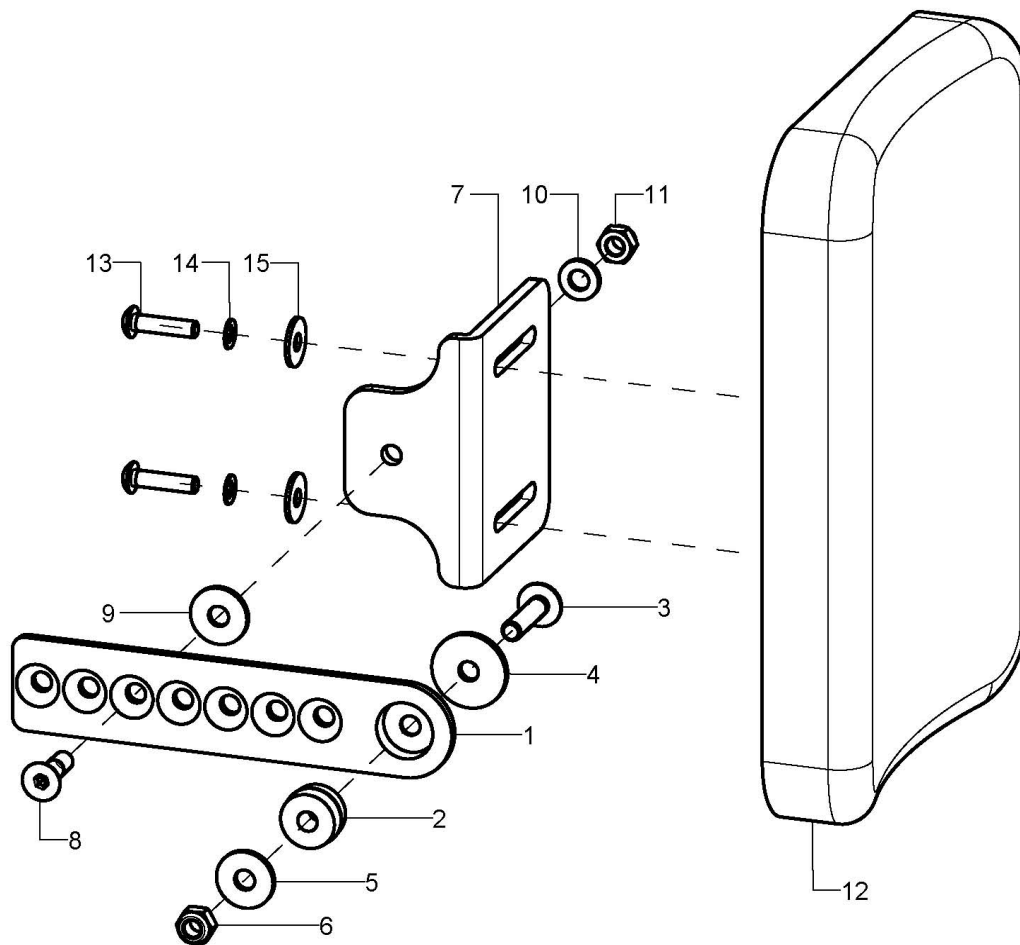
Variant:

drawing no.

1	1	40371002		40.37.06.10.02.75
o.B.	1	40371001		40.37.06.10.01.75
altern.	1			40.37.06.15.02.75
o.B.	1			40.37.06.15.01.75
2-4	1	40370617		40.37.06.17.00.75
3	1			02.99.20.70.01.10
4	1			01.24.09.74.05.00
5-10	1	40370122		40.37.01.04.02.75
o.B.	1	40370121		40.37.01.04.01.75
6	1			40.37.01.08.00.75
7	1			40.37.01.09.02.75
o.B.	1			40.37.01.09.01.75
8	3		lens head screw with hexagon socket ISO 7380 - M5x20	01.42.07.94.65.00
9	3		spring ring DIN 127 - A 5	02.85.30.50.05.10
10	3		hexagon nut self-locking low form DIN 985 - M5	02.32.00.50.01.20
11-16	1	40370623		40.37.06.23.00.75
12	2		thread bushing M6x29,5	40.37.06.24.00.75
13	1		leg spring double arm	40.37.06.26.00.75
14	1		distance hexagon thread 6/8 M5x10	02.47.20.78.72.10
15	1		setscrew with hexagon socket DIN 913, M6x8	01.67.08.47.61.20
16	1		ball knob DIN 319 Ø20/M5, form C, black	04.06.12.00.50.40
17-20	1	40370627		
17	1	40370622		40.37.06.22.00.75
18-20	1	4037060502		40.37.06.01.02.75
o.B.	1	4037060501		40.37.06.01.01.75
altern.	1	4037060602		40.37.06.05.02.75
o.B.	1	4037060601		40.37.06.05.01.75
19-20	1	40370521		
19	1		cross handle M8x14	04.05.24.73.14.40
20	1		clamp piece	40.37.05.21.00.75
21-23	1	40301004		40.30.10.04.00.75
22	1		lens head screw with hexagon socket ISO 7380 - M6x10	01.42.08.48.65.00
23	1		lock washer S6	02.99.10.60.01.10
24-29	1	40370621		40.37.06.21.00.75
25	1	690101	latch ø6/M10x1x31 with lock	04.14.43.60.02.00
26	1		lock ring 10, DIN 471	03.01.01.00.93.00
27	1		bushing M6x36	40.37.06.25.99.75
28	6		lens head screw with hexagon socket ISO 7380 - M6x16	01.42.08.52.65.00
29	1		lens head screw with hexagon socket ISO 7380 - M6x22 Tuflock spot	01.66.08.55.92.60
30-32	1	40370526	leg support tube glued, long(BSH)	40.37.05.25.23.75
altern.	1	40370525		40.37.05.25.30.75
31	1		cylinder screw DIN 912 M6x16	01.22.08.52.62.40
32	1		lock washer S6	02.99.10.60.01.10

Die geeigneten Fußauflagen inklusive Halterungen finden Sie unter dem Kapitel „Beinstütze geteilt, nach außen abschwengbar und abnehmbar“

Calf rest



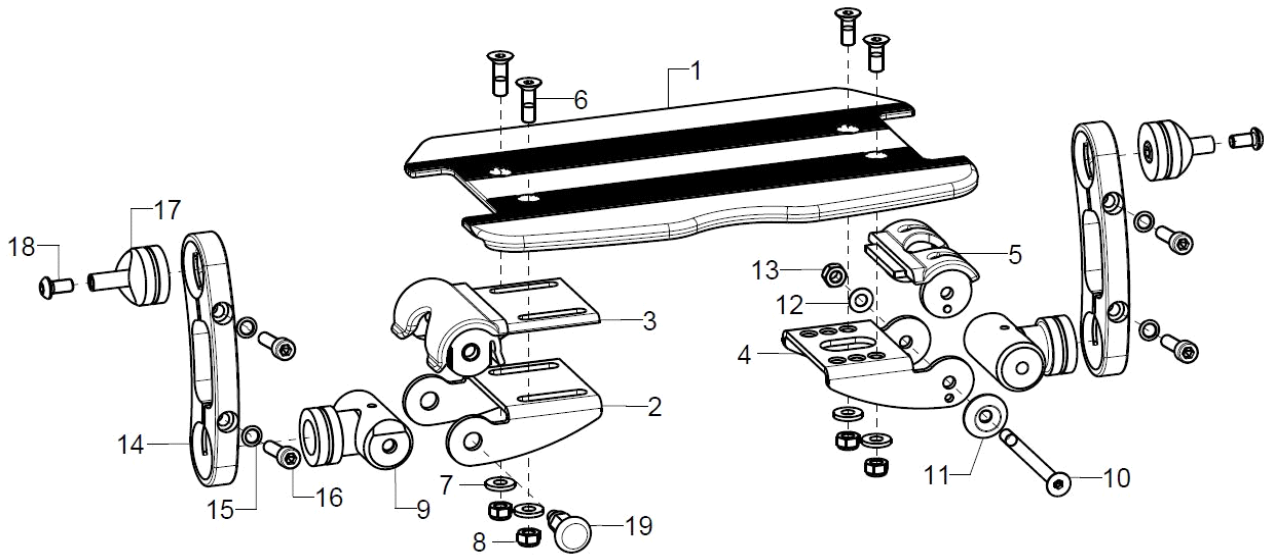
pcs.	Q/1	item no.	Product name:	Variant:	drawing no.
1-15	1	403006			
1-6	1	40301003			40.30.10.01.00.75
2	1				40.24.01.02.00.54
3	1		lens head screw with hexagon socket ISO 7380 - M6x25		01.42.08.56.65.00
4	1		washer 23,5x6,2x2 black anodized		58.67.01.07.00.67
5	1		washer DIN 9021 - 6,4		02.79.06.41.60.20
6	1		hexagon nut self-locking low form DIN 985 - M6		02.32.00.60.01.20
7-11	1	40300604	angle holder incl. mounting set		40.30.06.04.00.10
8	1		counter sunk screw with hexagon socket DIN 7991 M6x20		01.65.08.54.02.40
9	1		washer DIN 9021- 6,4- PA		02.79.06.41.60.70
10	1		washer DIN 125 - A 6,4		02.61.06.41.41.20
11	1		hexagon nut self-locking low form DIN 985 - M6		02.32.00.60.01.20
12-15	1	40300610	calf rest 150x120x30 PU black incl. mounting set		04.65.09.15.13.20
o.B.	1	40300611	calf rest 230x170x30 PU black incl. mounting set		04.65.09.22.15.20
13	2		lens head screw with hexagon socket ISO 7380 - M5x20		01.42.07.94.65.00
14	2		lock washer S5		02.99.10.50.01.10
15	2		washer DIN 9021 - M5		02.79.05.31.20.20

Leg support undivided, hinged sidewards, internal mounting 403601

For lower leg length less seat cushion height:

Standard: 1,5 to 34cm;

XL: 5,5 to 38cm



pcs.	Q/1	item no.	Product name:	Variant:	drawing no.
1-19	1	403601	leg support continuous standard, inner attachment complete		
1	1	40360710			40.36.07.00.00.74
altern.	1	40280100	continuous foot plate 8 mm		40.28.01.01.00.10
2-3+9+1 4-21		40362001	inner right attachment complete		40.36.20.01.90.00
4-5+9-19		40362101	inner left attachment of leg support, joint side complete		40.36.21.01.90.00
2-3	1	40360106	adjustment part right incl. raster piece		40.36.01.06.00.74
3	1	40360101	locking piece		40.36.01.01.00.74
4-5	1	40360501	adjustment part left for inner attachment incl. raster		40.36.05.01.01.74
5	1	40360102	raster part for foot plate		40.36.01.02.00.74
6-8	2	40360599	mounting set adjustment piece		XXXXXXXXXXXX
6	2		counter sunk screw with hexagon socket DIN 7991 M6x20		01.65.08.54.02.40
7	2		washer reinforced Ø14/6,2x2		58.30.15.01.00.24
8	2		hexagon nut self-locking low form DIN 985 - M6		02.32.00.60.01.20
9	2	40360204	adapter for inner attachment incl. mounting set		40.36.02.04.00.74
10-13	1	40360299	mounting set adjustment piece		XXXXXXXXXXXX
10	1		counter sunk screw with hexagon socket DIN 7991 M6x75		01.65.08.67.02.40
11	1		rosette ring Ø22/6x4,5, black		04.14.70.60.09.00
12	1		fitted washer DIN 988 - 6x12x0,5 - A2		02.68.06.00.50.30
13	1		hexagon nut self-locking low form DIN 985 - M6		02.32.00.60.01.20
14	2	40390101	positioning part 12x125x41,9		40.39.01.01.00.69
altern.	2	40390110	positioning part 12x175x42,1		40.39.01.10.00.69
15-16	2	40390199	mounting set positioning part		
15	2		lock washer S6		02.99.10.60.01.10
16	2		cylinder screw DIN 912 M6x25		01.22.08.56.02.40
17-18	2	40390399	mounting set for foot plate attachment		
17	1				40.39.01.03.99.69
18	1		lens head screw with hexagon socket ISO 7380 - M6x12		01.42.08.49.65.00
19	1	690101	latch Ø6/M10x1x31 with lock		04.14.43.60.02.00



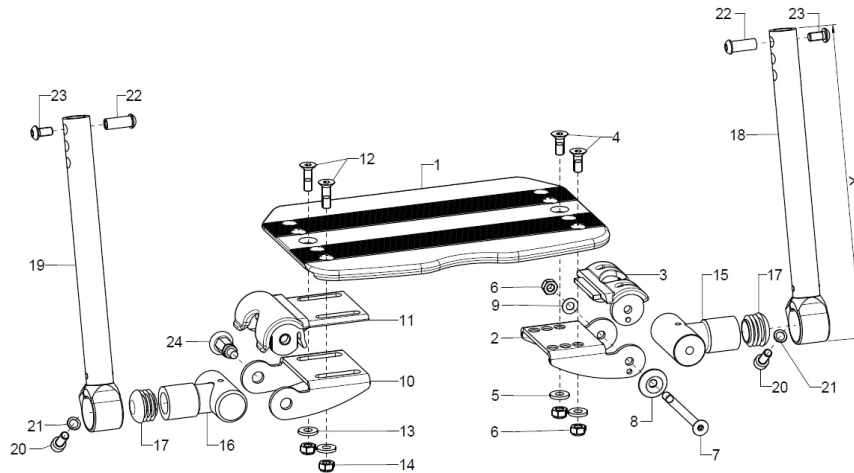
2+9+1 1 400902 lock complete
9

Leg support undivided, hinged sideways, external mounting 403610

For lower leg length less seat cushion height:

Standard: 29 to 47,5cm;

XL: 33 to 51,5cm



pcs.	Q/1	item no.	Product name:	Variant:	drawing no.
1-23	1	404002	leg support continuous, folds up sideways, outer attachment complete		
1	1	40280100	continuous foot plate 8 mm		40.28.01.01.00.10
2-3	1	40360105	adjustment part left incl. raster piece		40.36.01.05.00.74
3	1	40360102	raster part for foot plate		40.36.01.02.00.74
4-9	1	40360299	mounting set adjustment piece		XXXXXXXXXXXX
4	2		counter sunk screw with hexagon socket DIN 7991 M6x16		01.65.08.52.02.40
5	2		washer reinforced $\varnothing 14/6,2 \times 2$		58.30.15.01.00.24
6	3		hexagon nut self-locking low form DIN 985 - M6		02.32.00.60.01.20
7	1		counter sunk screw with hexagon socket DIN 7991 M6x75		01.65.08.67.02.40
8	1		rosette ring $\varnothing 22/6 \times 4,5$, black		04.14.70.60.09.00
9	1		fitted washer DIN 988 - 6x12x0,5 - A2		02.68.06.00.50.30
10-11	1	40360106	adjustment part right incl. raster piece		40.36.01.06.00.74
11	1	40360101	locking piece		40.36.01.01.00.74
12-14		40360599	mounting set adjustment piece		XXXXXXXXXXXX
12	2		counter sunk screw with hexagon socket DIN 7991 M6x20		01.65.08.54.02.40
13	2		washer reinforced $\varnothing 14/6,2 \times 2$		58.30.15.01.00.24
14	2		hexagon nut self-locking low form DIN 985 - M6		02.32.00.60.01.20
15+17	1	40360111	joint D6 incl. plug		40.36.01.11.50.74
16-17	1	40360110	joint incl. plug		40.36.01.10.50.74
o.B.	1	40360112	joint for latch incl. plug		40.36.01.12.50.74
17	2		plugs for tube $\varnothing 25 \times 1-2$, black		04.63.10.25.00.10
18+20 +21	1	40360121	leg support tube glued 235 mm left, incl. mounting screws		40.36.01.15.21.74
o.B.	1	40360131	leg support tube glued 305 mm left, incl. mounting screws		40.36.01.15.31.74
19-21	1	40360122	leg support tube glued 235 mm right, incl. mounting screws		40.36.01.15.22.74
o.B.	1	40360132	leg support tube glued 305 mm right, incl mounting screws		40.36.01.15.32.74
20	1		cylinder screw DIN 912 M6x16		01.22.08.52.62.40
21	1		lock washer S6		02.99.10.60.01.10
22-23	2	40390299	mounting set leg support tube		40.39.02.99.90.00
22					40.39.01.05.50.69
23	1		lens head screw with hexagon socket ISO 7380 - M6x12		01.42.08.49.65.00
24	1	690101	latch $\varnothing 6/M10 \times 1 \times 31$ with lock		04.14.43.60.02.00



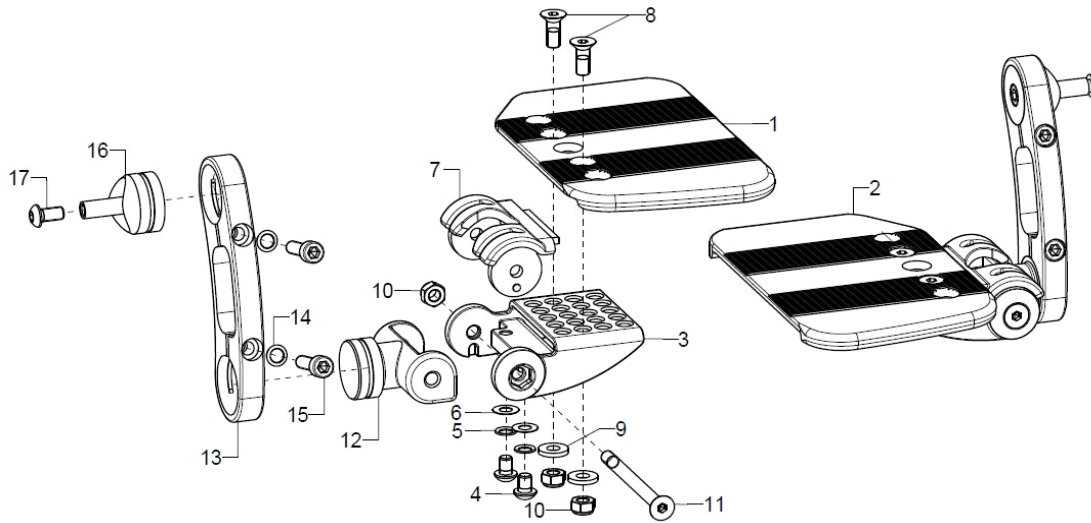
10+16 1 400903
+24

Leg support divided, hinged sideways, internal mounting 403602

For lower leg length less seat cushion height:

Standard: 1,5 to 34cm;

XL: 5,5 to 38cm



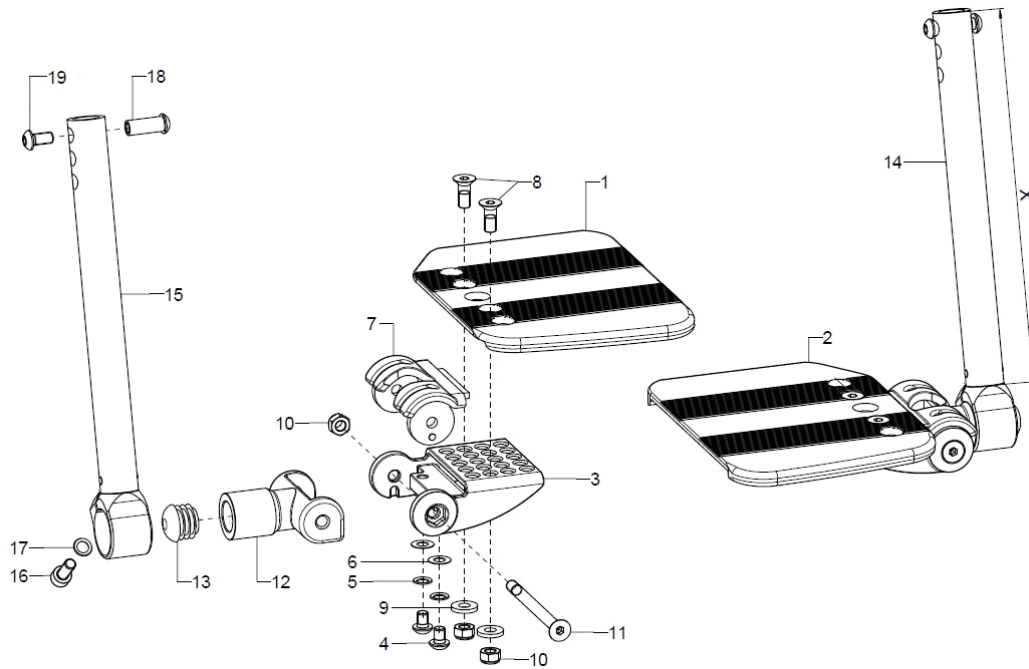
pcs.	Q/1	item no.	Product name:	Variant:	drawing no.
1-17	1	403602	leg support divided, folds up sideways, inner attachment, complete		
1	1	40361000	foot plate 8mm divided right		40.36.10.XX.02.74
2	1	40361100	foot plate 8mm divided left		40.36.10.XX.02.74
3-17	2	40362002	inner attachment of divided leg support complete (adjustment part, locking part, joint, positioning part (length), connection cone, mounting set)		
3-7	2	40361020	adjustment unit divided incl. grid		40.36.10.30.00.74
4	2		lens head screw with hexagon socket ISO 7380 - M6x8		01.42.08.47.65.00
5	2		lock washer S6		02.99.10.60.01.10
6	2				02.68.06.00.30.30
7	2	40360102	raster part for foot plate		40.36.01.02.00.74
8-11	2	40360299	mounting set adjustment piece		XXXXXXXXXXXX
8	2		counter sunk screw with hexagon socket DIN 7991 M6x16		01.65.08.52.02.40
9	2		washer reinforced Ø14/6,2x2		58.30.15.01.00.24
10	3		hexagon nut self-locking low form DIN 985 - M6		02.32.00.60.01.20
11	1		counter sunk screw with hexagon socket DIN 7991 M6x75		01.65.08.67.02.40
12	2	40360400			40.36.04.00.00.74
13	2	40390101	positioning part 12x125x41,9		40.39.01.01.00.69
altern.	2	40390110	positioning part 12x175x42,1		40.39.01.10.00.69
14-15	2	40390199	mounting set positioning part		
14	2		lock washer S6		02.99.10.60.01.10
15	2		cylinder screw DIN 912 M6x25		01.22.08.56.02.40
16-17	2	40390399	mounting set for foot plate attachment		
16	1				40.39.01.03.99.69
17	1		lens head screw with hexagon socket ISO 7380 - M6x12		01.42.08.49.65.00

Leg support divided, hinged sideways, external mounting 403612

For lower leg length less seat cushion height:

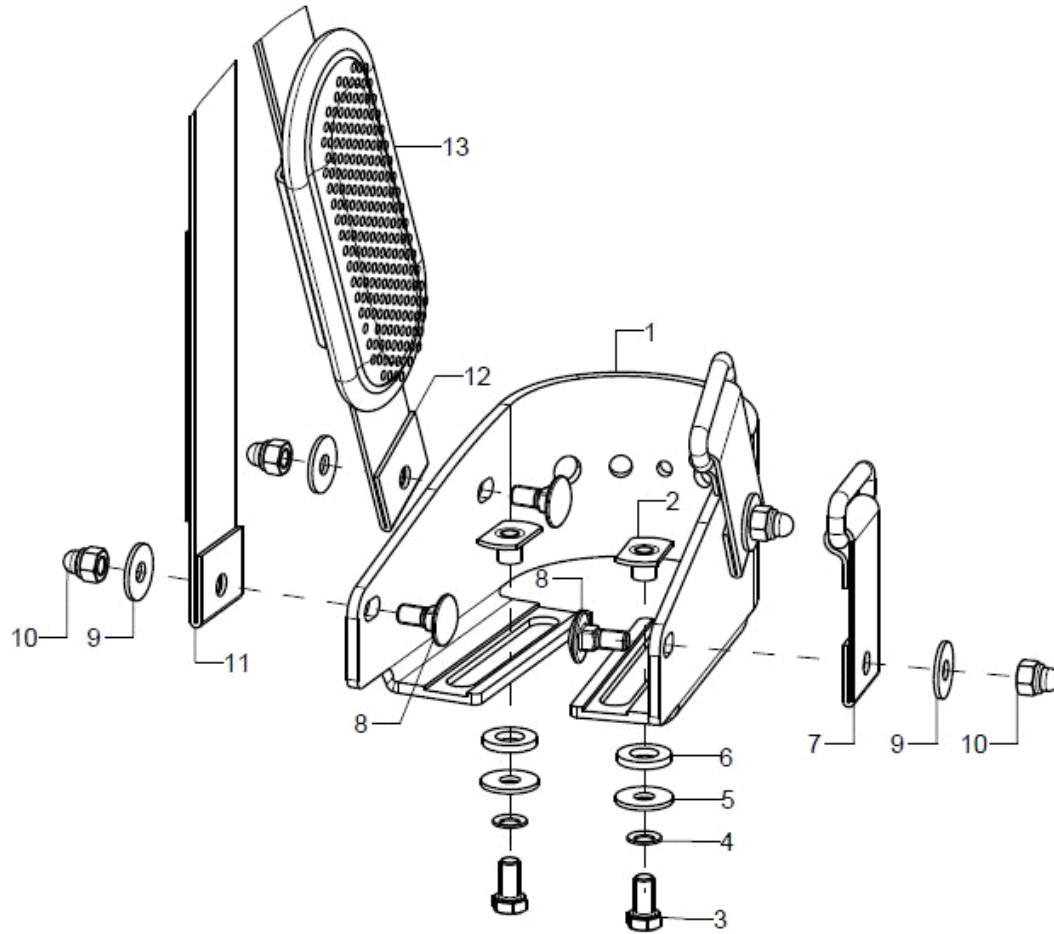
Standard: 29 to 47,5cm;

XL: 33 to 51,5cm



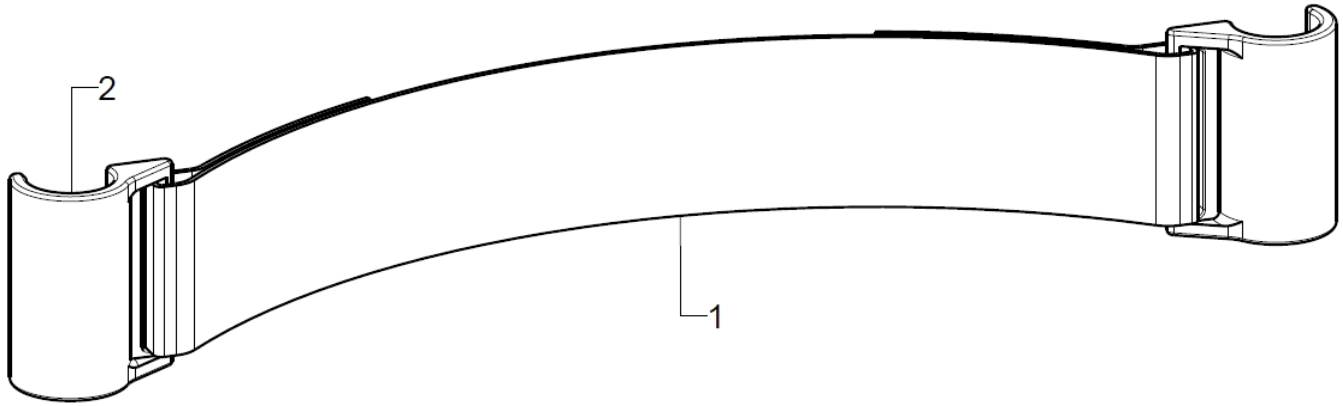
pcs.	Q/1	item no.	Product name:	Variant:	drawing no.
1-19	1	403612	leg support divided, folds up sideways, outer attachment, complete		XXXXXXXXXXXX
1	1	40361000	foot plate 8mm divided right		40.36.10.XX.02.74
2	1	40361100	foot plate 8mm divided left		40.36.10.XX.02.74
3-7	2	40361020	adjustment unit divided incl. grid		40.36.10.30.00.74
4	2		lens head screw with hexagon socket ISO 7380 - M6x8		01.42.08.47.65.00
5	2		lock washer S6		02.99.10.60.01.10
6	2				02.68.06.00.30.30
7	1	40360102	raster part for foot plate		40.36.01.02.00.74
8-11	2	40360299	mounting set adjustment piece		XXXXXXXXXXXX
8	2		counter sunk screw with hexagon socket DIN 7991 M6x16		01.65.08.52.02.40
9	2		washer reinforced $\varnothing 14/6,2 \times 2$		58.30.15.01.00.24
10	3		hexagon nut self-locking low form DIN 985 - M6		02.32.00.60.01.20
11	1		counter sunk screw with hexagon socket DIN 7991 M6x75		01.65.08.67.02.40
12-13	2	40360205	joint for divided leg support incl. plug		40.36.10.31.00.74
13	1		plugs for tube $\varnothing 25 \times 1-2$, black		04.63.10.25.00.10
14+16 +17	1	40360121	leg support tube glued 235 mm left, incl. mounting screws		40.36.01.15.21.74
o.B.	1	40360131	leg support tube glued 305 mm left, incl. mounting screws		40.36.01.15.31.74
15-17	1	40360122	leg support tube glued 235 mm right, incl. mounting screws		40.36.01.15.22.74
o.B.	1	40360132	leg support tube glued 305 mm right, incl mounting screws		40.36.01.15.32.74
16	1		cylinder screw DIN 912 M6x16		01.22.08.52.62.40
17	1		lock washer S6		02.99.10.60.01.10
18-19	2	40390299	mounting set leg support tube		40.39.02.99.90.00
18	1				40.39.01.05.50.69
19	1		lens head screw with hexagon socket ISO 7380 - M6x12		01.42.08.49.65.00

Heel cups



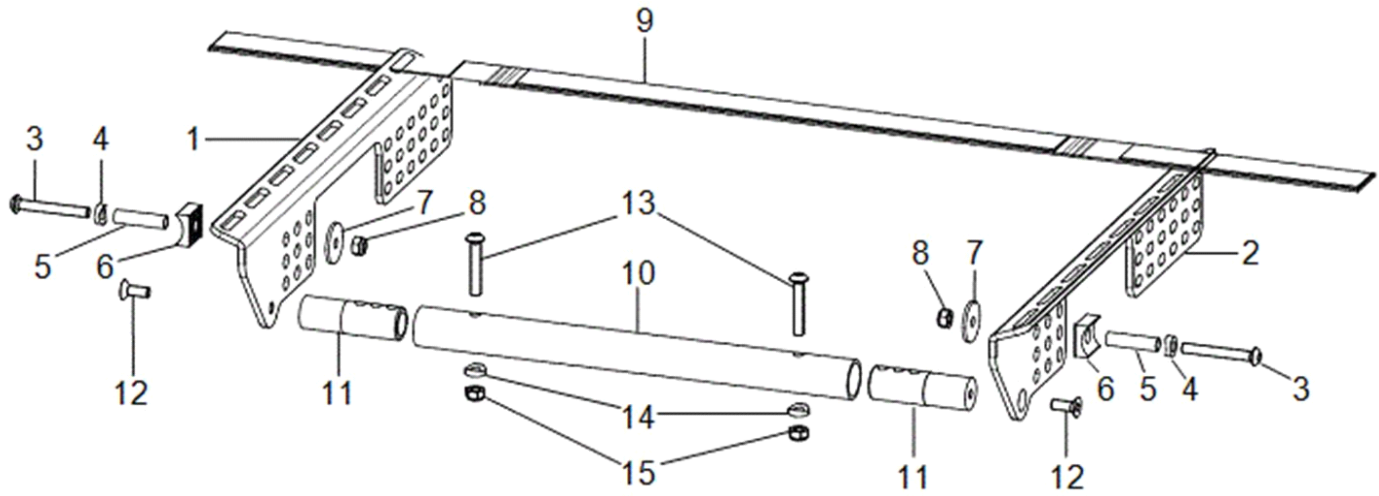
pcs.	Q/1	item no.	Product name:	Variant:	drawing no.
1-6	2	40551501			40.55.15.01.00.76
altern.	2	40551502			40.55.15.02.00.76
altern.	2	40551503			40.55.15.03.00.76
2	1		weld nut C- M5x7,5		02.49.33.03.00.10
3	1				01.04.07.88.02.40
4	1		lock washer S5		02.99.10.50.01.10
5	1		washer DIN 9021 -6,4		02.79.06.41.60.20
6	1				02.83.07.42.00.80
7-13	2	40201501			
altern.	2	40201502			
altern.	2	40201503			

Calf belt



pcs.	Q/1	item no.	Product name:	Variant:	drawing no.
1-2	1	4041			
1	1	404108			40.41.03.XX.00.10
2	2	404106			40.41.06.01.00.10

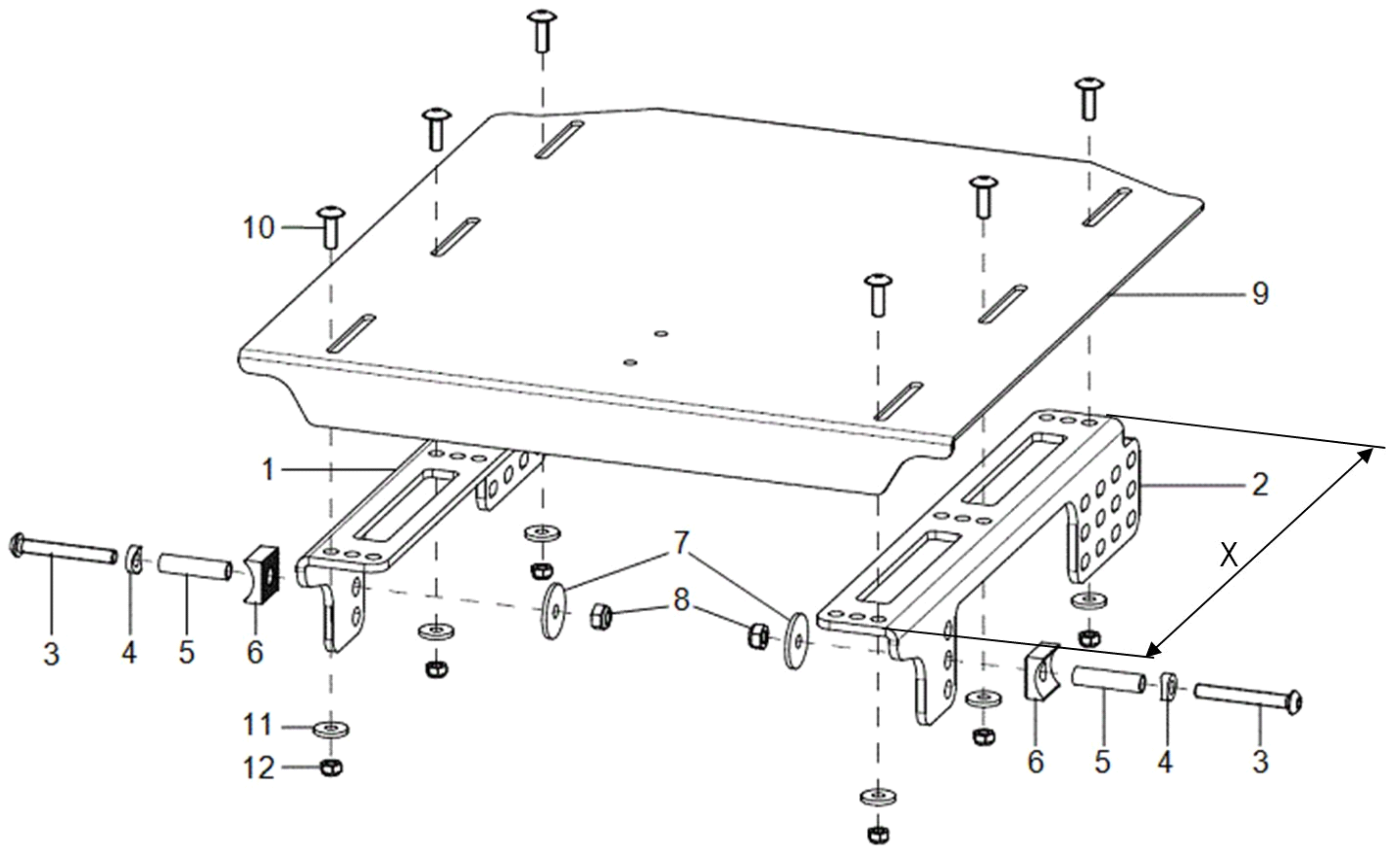
Seat cover + cover carrier



pcs.	Q/1	item no.	Product name:	Variant:	drawing no.
1	1	191301ST	cover support right		19.13.01.00.02.69
o.B.	1	191305ST			19.13.02.00.02.69
2	1	191302ST	cover support left		19.13.01.00.01.69
o.B.	1	191304ST			19.13.02.00.01.69
3-8	2	19080299	mounting set support angle		XXXXXXXXXXXX
3	1		lens head screw with hexagon socket ISO 7380 - M6x45		01.42.08.61.65.00
4	1		saddle washer $\varnothing 12/6 \times 2,5$		35.04.16.01.00.10
5	1				19.08.01.01.00.69
6	1	190835	half shell 20 R12, D8		19.08.01.02.00.69
7	1				40.24.01.04.00.54
8	1		hexagon nut self-locking low form DIN 985 - M6		02.32.00.60.01.20
9	5-10	191303ST	seat straps		19.13.03.00.00.69
10	1	5834SB	crossbar D=24x2xSW		58.34.01.00.00.69
11-15	2				
11	2	583402	crossbar adapter, RD 20x64		58.34.01.06.00.69
12	1		counter sunk screw with hexagon socket DIN 7991 M6x16		01.65.08.52.02.40
13-15	2	583499	mounting set crossbar on frame		XXXXXXXXXXXX
13	1				01.42.08.59.62.60
14	1				40.04.16.01.00.10
15	1		hexagon nut self-locking low form DIN 985 - M6		02.32.00.60.01.20

*Bei den Rahmengrößen 1 + 2 wird der Bespannungsträger vorne mit dem Seitenteil verschraubt.
Der Bespannungsträger wird hinten mit der Lochplatte verschraubt.

SeatFix + SeatFix carrier



pcs.	Q/1	item no.	Product name:	Variant:	drawing no.
1	1	1908XX01	seat plate support right		19.08.02.20.02.69
o.B.	1	190803ST			19.08.02.30.02.81
2	1	1908XX02	seat plate support left		19.08.02.20.01.69
o.B.	1	190802ST			19.08.02.30.01.81
3-8	2	19080299	mounting set support angle		XXXXXXXXXXXX
3	1		lens head screw with hexagon socket ISO 7380 - M6x45		01.42.08.61.65.00
4	1		saddle washer Ø12/6x2,5		35.04.16.01.00.10
5	1				19.08.01.01.00.69
6	1	190835	half shell 20 R12, D8		19.08.01.02.00.69
7	1				40.24.01.04.00.54
8	1		hexagon nut self-locking low form DIN 985 - M6		02.32.00.60.01.20
9	1	19080200	seat plate		19.08.02.00.00.69
10-12	1	19080099	mounting set seat lug		XXXXXXXXXXXX
10	6		lens head screw with hexagon socket M5x20		01.43.07.92.05.00
11	6		washer DIN 7349 - 5,3		02.77.05.22.00.20
12	6		hexagon nut self-locking low form DIN 985 - M5		02.32.00.50.01.20

*Bei den Rahmengrößen 1 + 2 wird der Sitzplattenträger vorne mit dem Seitenteil verschraubt. Der Sitzplattenträger wird hinten mit der Lochplatte verschraubt.

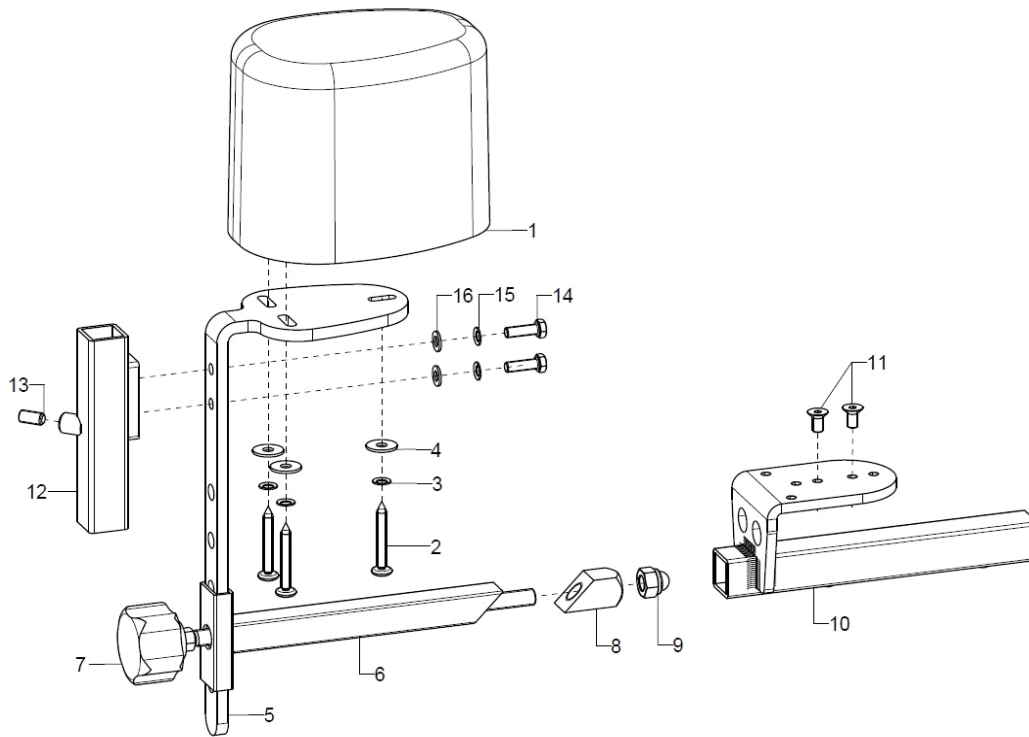
Seat cushion

pcs.	Q/1	item no.	Product name:	Variant:	drawing no.
o.B.	1	891002	anatomical seat cushion		XXXXXXXXXXXXX
o.B.	1	891001			
o.B.	1	891003	cover for anatomical seat cushion		XXXXXXXXXXXXX
o.B.	1	891004	incontinence cover for anatomical seat cushion		XXXXXXXXXXXXX
o.B.	1	8003	seat cushion, synthetic foam, 3cm thick		XXXXXXXXXXXXX
o.B.	1	8005	seat cushion, synthetic foam, 5cm thick		XXXXXXXXXXXXX
o.B.	1	8103	seat cushion, memory foam, 3cm thick		XXXXXXXXXXXXX
o.B.	1	8105	seat cushion, memory foam, 5cm thick		XXXXXXXXXXXXX
o.B.	1	800050			
o.B.	1	8603	incontinence protection for 3cm cushion (non refundable)		
o.B.	1	8605	incontinence protection for 5cm cushion (non refundable)		

Stoffmuster	XX
schwarz	30
grau	31
nachtblau	32
ultramarinblau	33
petrol	34
applegreen	35
bordeauxrot	36
rot	38
pink	39

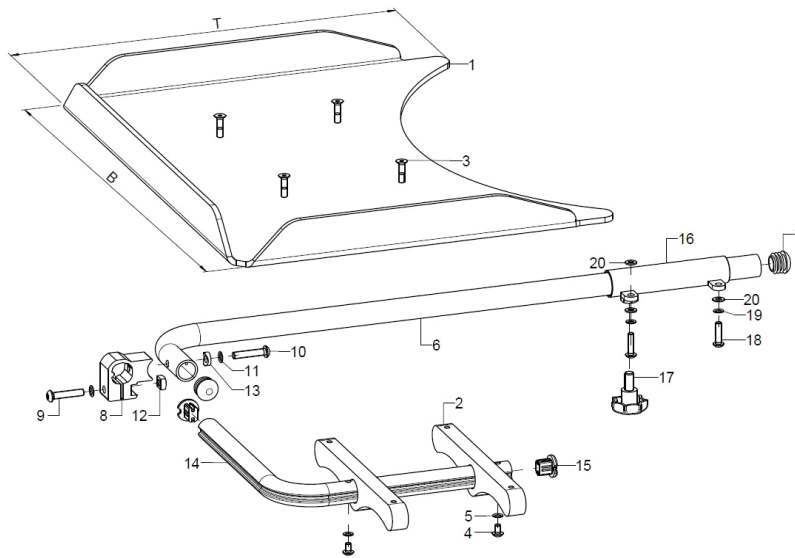
Alle Stoffmuster können unter www.sorgrollstuhltechnik.de angesehen werden.

Abduction wedge



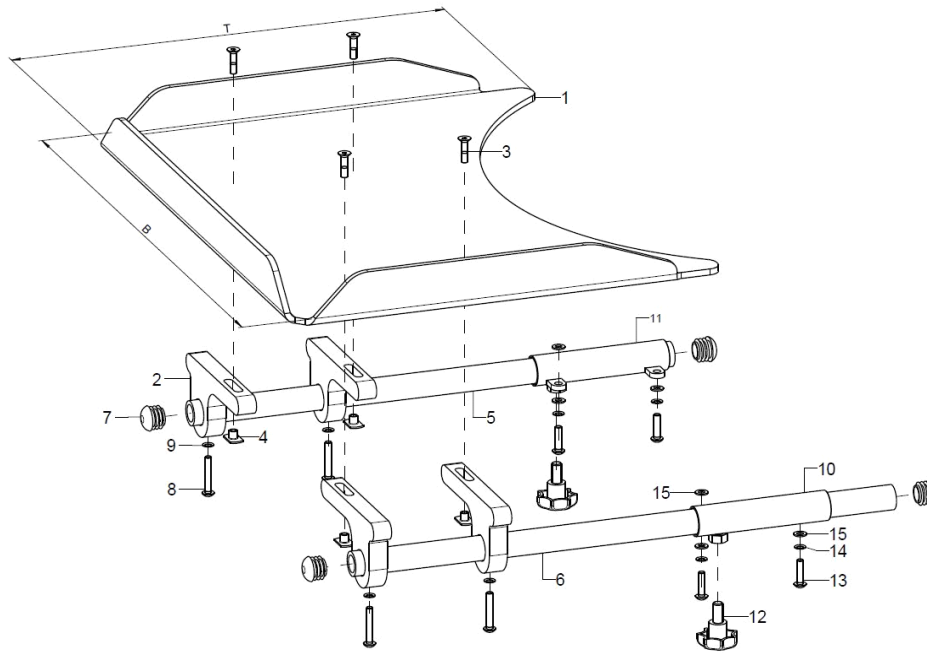
pcs.	Q/1	item no.	Product name:	Variant:	drawing no.
1-10	1	1952	abduction wedge size s		XXXXXXXXXXXX
o.B.	1	1953	abduction wedge size m		XXXXXXXXXXXX
o.B.	1	1954	abduction wedge size l		XXXXXXXXXXXX
1	1	195002	abduction wedge small		04.65.17.09.01.20
o.B.	1	195003	abduction wedge medium		04.65.17.11.03.20
o.B.	1	195004	abduction wedge large		04.65.17.13.02.20
2-4	1	19500299	mounting set abduction wedge on holder angle		XXXXXXXXXXXX
2	3				01.88.07.99.00.80
3	3		lock washer S5		02.99.10.50.01.10
4	3		washer DIN 9021 - M5		02.79.05.31.20.20
5	1	195101	bracket for abduction wedge		19.50.03.02.00.10
6	1	195103	weldment clamper		19.50.02.01.00.10
7-9	1	684004	clamping set for posterior truss pad or abduction wedge		XXXXXXXXXXXX
7	1				19.05.03.01.99.82
8	1				68.40.04.04.00.51
9	1				02.33.00.80.41.20
10-11	1	195102	weldment holder abduction wedge		19.50.01.01.00.10
11	2		counter sunk screw with hexagon socket DIN 7991 M5x10		01.65.07.88.05.00
12-16	1	400105	universal leg support socket for combination abduction wedge with therapy table incl. mounting set		40.01.01.05.00.28
13	1		setscrew with hexagon socket DIN 913, M6x12		01.67.08.49.61.20
14	2		hexagon screw DIN 933 - M5x16		01.04.07.92.02.40
15	2		lock washer S5		02.99.10.50.01.10
16	2		washer DIN 125 - A 5,3		02.61.05.31.01.20

Therapy table, version 1, hinged sidewards



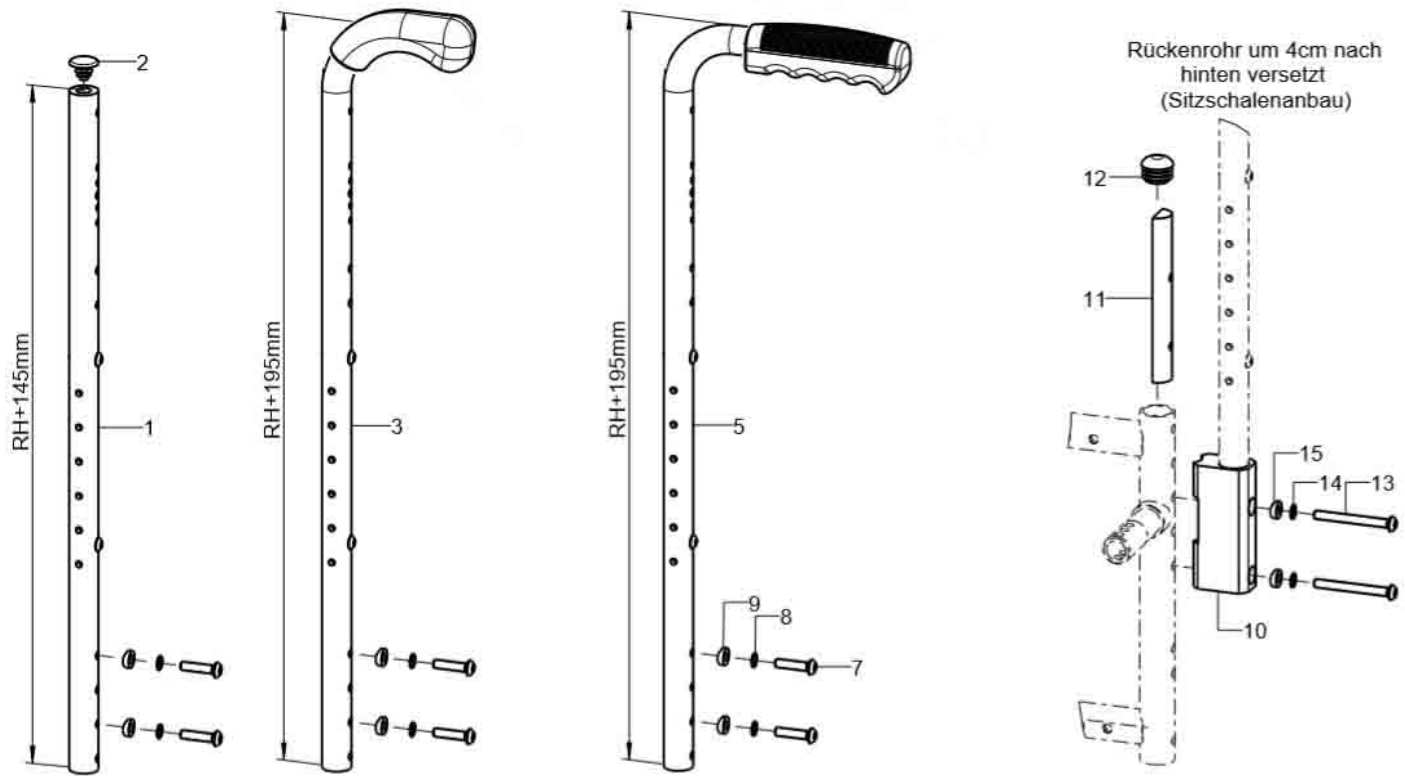
pcs.	Q/1	item no.	Product name:	Variant:	drawing no.
1-20	1	9204XX	therapy table version 1 swingaway to the side complete		XXXXXXXXXXXX
1	1	920030	therapy table size 1 (B45xT36) polycarbonate		92.00.10.01.00.51
o.B.	1	920031	therapy table size 2 (B59xT45) polycarbonate		92.00.11.01.00.51
o.B.	1	920032	therapy table size 3 (B70xT50) polycarbonate		92.00.12.01.00.51
o.B.	1	920033	therapy table size 1 (B50xT40) wood		92.00.13.01.00.10
o.B.	1	920034	therapy table size 2 (B60xT50) wood		92.00.14.01.00.10
2-20	1	9204	mounting set for therapy table version 1 complete without table		
2	2				92.04.01.01.00.10
3	4		counter sunk screw with hexagon socket DIN 7991 M5x20		01.65.07.94.05.00
4	2		lens head screw with hexagon socket ISO 7380 - M5x8		01.42.07.87.65.00
5	2		lock washer S5		02.99.10.50.01.10
6	1	920402	holding tube, incl. plug		92.04.02.00.00.10
7	2		plugs for tube ø20x1-2, black		04.63.10.20.00.10
8-13	1	92040403	clamp unit incl. mounting set		92.04.04.03.00.10
9	1		lens head screw with hexagon socket ISO 7380 - M6x30		01.42.08.58.65.00
10	1				01.42.08.59.62.60
11	2		lock washer S6		02.99.10.60.01.10
12	1		square nut DIN 557 M6		02.13.00.60.01.20
13	1				40.04.16.01.00.10
14-15	1	920404	foldable bail tube incl tube end plug		92.04.04.00.00.10
15	2	620105	plug for profile tube		62.01.05.00.00.74
16-20	1	920405	tube adapter, weldment, right incl. mounting set		92.07.01.01.02.10
o.B.	1	920406	tube adapter, weldment, left incl. mounting set		92.07.01.01.01.10
o.B.	2	920407	tube adapter, weldment incl. mounting set		92.04.05.01.00.10
17-20	2	92040599	mounting set tube intake		XXXXXXXXXXXX
17	1		7-star knob ø32 - M8x15 external thread, black		04.05.47.14.15.40
18	2		lens head screw with hexagon socket ISO 7380 - M5x20		01.42.07.94.65.00
19	2		lock washer S5		02.99.10.50.01.10
20	3		washer DIN 125 - A 5,3		02.61.05.31.01.20

Therapy table, version 2, fixed to the arm pad



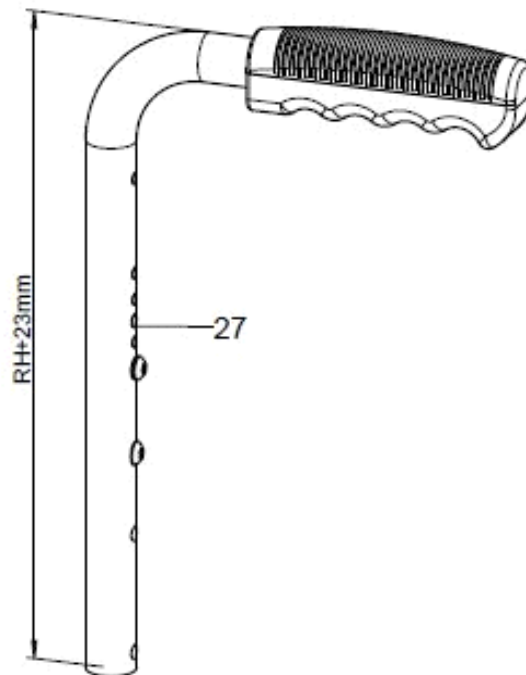
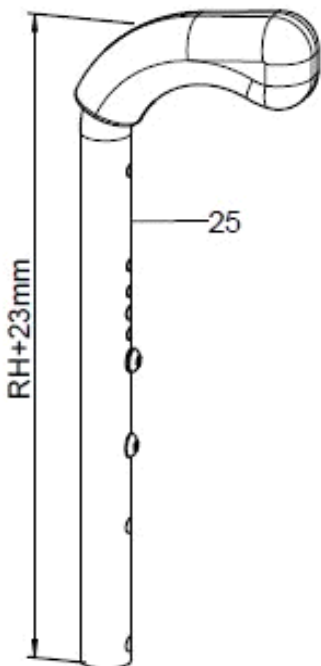
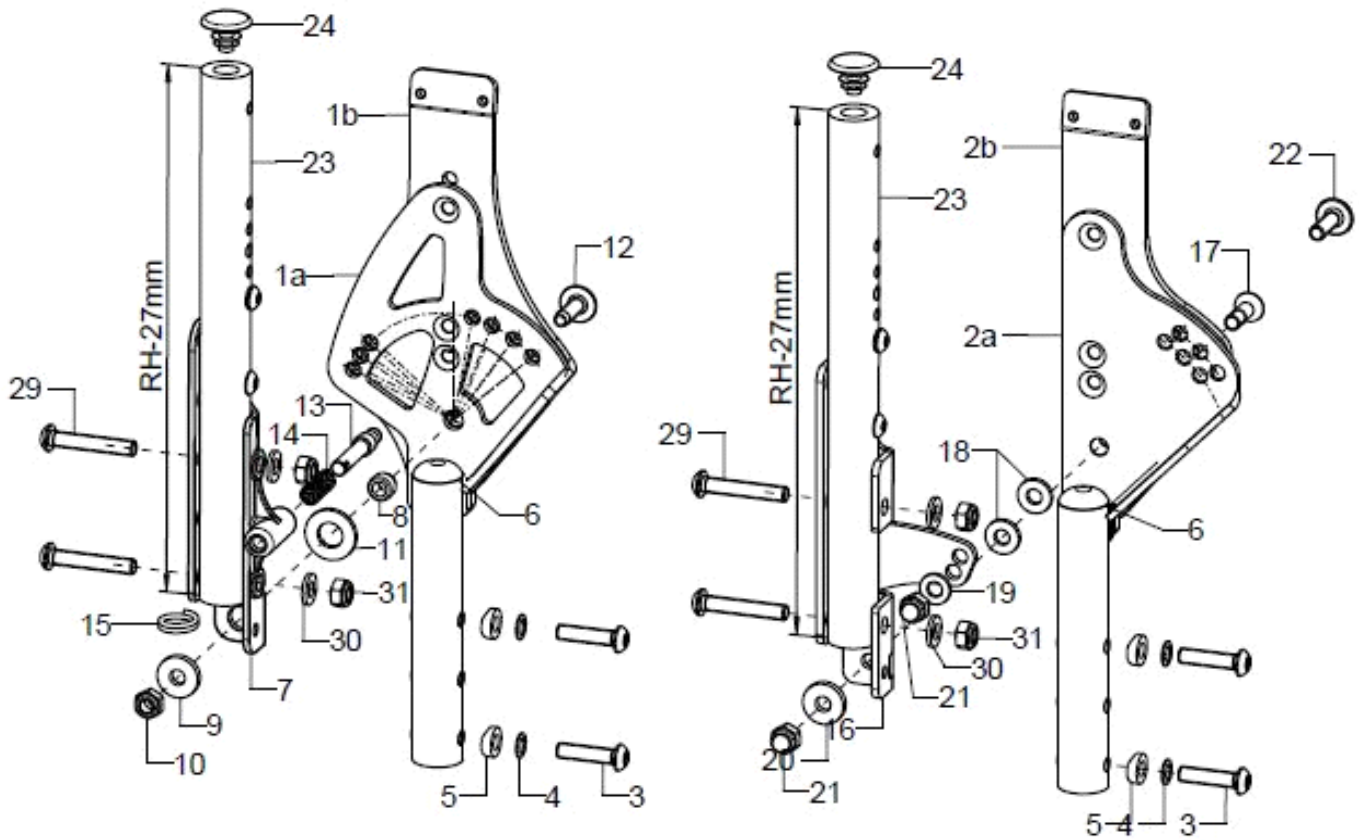
pcs.	Q/1	item no.	Product name:	Variant:	drawing no.
1-15	1	9207XX	therapy table version 2 on arm pad complete		XXXXXXXXXXXX
1	1	920030	therapy table size 1 (B45xT36) polycarbonate		92.00.10.01.00.51
o.B.	1	920031	therapy table size 2 (B59xT45) polycarbonate		92.00.11.01.00.51
o.B.	1	920032	therapy table size 3 (B70xT50) polycarbonate		92.00.12.01.00.51
o.B.	1	920033	therapy table size 1 (B50xT40) wood		92.00.13.01.00.10
o.B.	1	920034	therapy table size 2 (B60xT50) wood		92.00.14.01.00.10
2-15	2	9207	mounting set for therapy table version 2 on arm rest		
2	4	920705	plugable supporting frame 15x61x120		92.07.05.01.00.51
3-4	1	92070599	mounting set support bracket		XXXXXXXXXXXX
3	4		counter sunk screw with hexagon socket DIN 7991 M5x20		01.65.07.94.05.00
4	4		weld nut C- M5x7,5		02.49.33.03.00.10
5+7-9	1	920702	holder tube 20x3x400 incl. mounting set		92.07.02.02.00.29
6-9	1	920704	holder tube 20x3x450 incl. mounting set		92.07.02.04.00.29
7	2		plugs for tube ø20x1-2, black		04.63.10.20.00.10
8	2		lens head screw with hexagon socket ISO 7380 - M5x30		01.42.07.98.65.00
9	2		lock washer S5		02.99.10.50.01.10
10+12-15	1	920703	tube adapter, weldment, left incl. mounting set		92.07.01.01.01.10
11-15	1	920701	tube adapter, weldment, right incl. mounting set		92.07.01.01.02.10
o.B.	2	920407	tube adapter, weldment incl. mounting set		92.04.05.01.00.10
12-15	2	92040599	mounting set tube intake		XXXXXXXXXXXX
12	1		7-star knob ø32 - M8x15 external thread, black		04.05.47.14.15.40
13	2		lens head screw with hexagon socket ISO 7380 - M5x20		01.42.07.94.65.00
14	2		lock washer S5		02.99.10.50.01.10
15	3		washer DIN 125 - A 5,3		02.61.05.31.01.20

Back tube standard



pcs.	Q/1	item no.	Product name:	Variant:	drawing no.
1-2	2	623705XX			62.37.08.01.00.00
o.B.	2	623707XX			62.37.05.02.00.00
2	1				04.63.10.20.01.10
3	2	623806XX			62.37.08.02.00.00
o.B.	2	623807XX			62.37.06.04.00.00
5	2	623706XX			62.37.08.03.00.00
o.B.	2	623708XX			62.37.06.03.00.00
7-9	2	62370099	mounting set back tube		XXXXXXXXXXXX
7	2		lens head screw with hexagon socket ISO 7380 - M6x25		01.42.08.56.65.00
8	2		lock washer S6		02.99.10.60.01.10
9	2		saddle washer \varnothing 12/6x2,5		35.04.16.01.00.10
10-15	2	6225			62.25.02.01.00.69
o.B.	2	622501			62.25.02.03.00.69
11	1				62.25.02.02.00.69
12	1		plugs for tube \varnothing 22x1-2, black		04.63.10.22.00.10
13	2(1)		lens head screw with hexagon socket ISO 7380 - M6x55		01.42.08.63.65.00
o.B.	1				01.22.08.64.02.40
14	2		lock washer S6		02.99.10.60.01.10
15	2		saddle washer \varnothing 12/6x2,5		35.04.16.01.00.10

Back, adjustable in angle

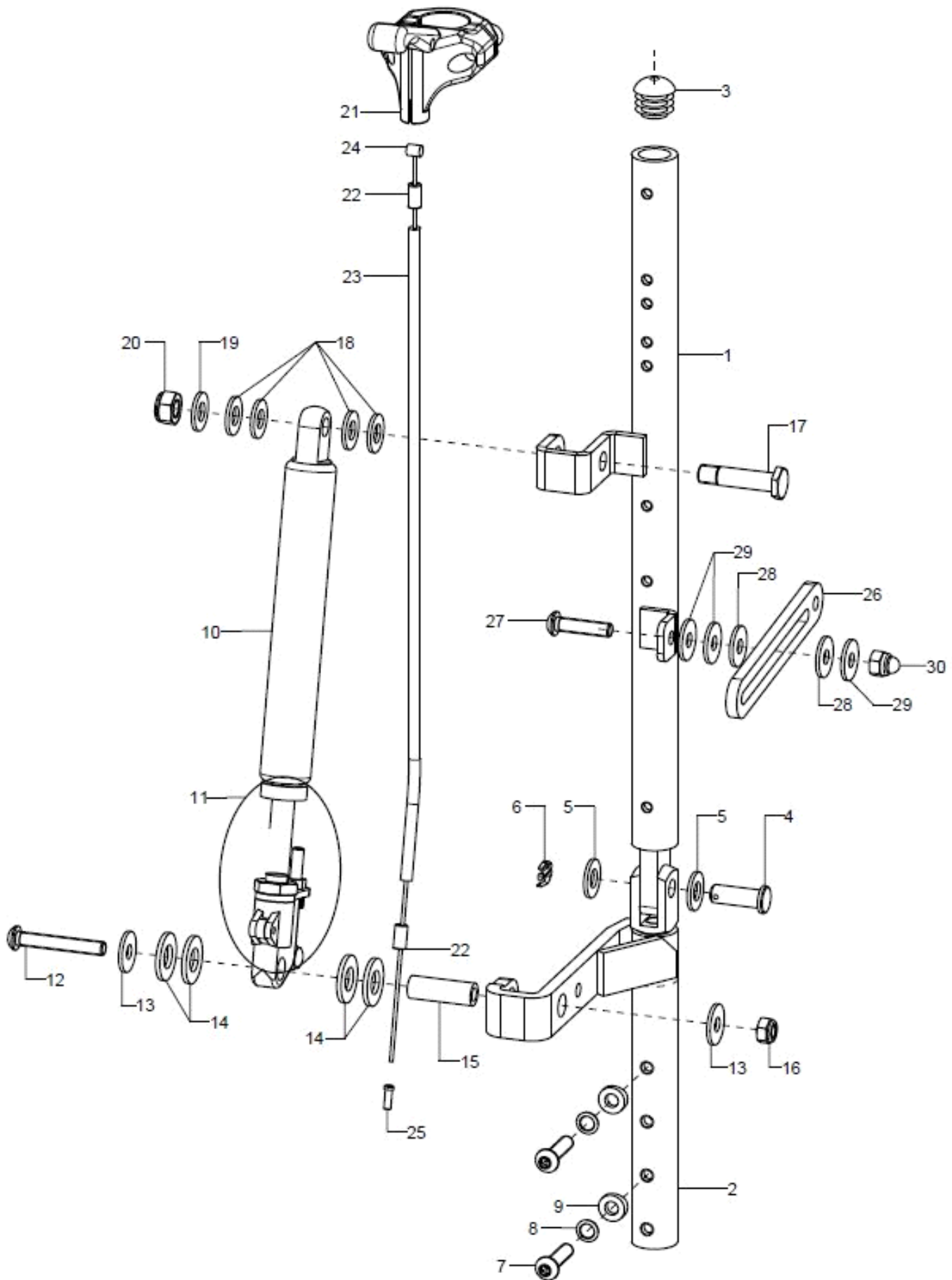




pcs.	Q/1	item no.	Product name:	Variant:	drawing no.
1a	1	62370202	back angle adjustment, right		61.09.01.04.02.69
o.B.	1	62370201	back angle adjustment, left		61.09.01.04.01.69
1b	1	61110202			61.11.02.00.02.75
o.B.	1	61110201			61.11.02.00.01.75
2a	1	61110102	angle adjustment, right		61.11.01.00.02.74
o.B.	1	61110101	angle adjustment, left		61.11.01.00.01.74
2b	1	61110104			61.11.01.00.02.75
o.B.	1	61110103			61.11.01.00.01.75
3-6	2	62370299	mounting set back angle adjustment		XXXXXXXXXXXX
3	2		lens head screw with hexagon socket ISO 7380 - M6x25		01.42.08.56.65.00
4	2		lock washer S6		02.99.10.60.01.10
5	2		saddle washer Ø12/6x2,5		35.04.16.01.00.10
6	1		plugs for tube ø18x1-2, black		04.63.10.18.00.10
7-12	1	62370204	U-part 137 mm, right		61.09.05.01.02.00
o.B.	1	62370203	U-part 137 mm, left		61.09.05.01.01.00
8-12	2	62370298	mounting set U-part 137 mm		XXXXXXXXXXXX
8	1				61.03.02.01.00.18
o.B.	1				02.68.10.00.50.30
o.B.	1				02.68.10.00.50.30
9	1		washer DIN 7349 - 6,4		02.77.06.53.00.20
10	1		hexagon nut self-locking low form DIN 985 - M6		02.32.00.60.01.20
11	1		washer DIN 125 - A 10,5 - PA black		02.61.10.52.01.71
12	1				01.67.08.54.60.84
o.B.	1		lens head screw with hexagon socket M6x20		01.43.08.54.65.00
13-15	2	610109	locking bolt incl. mounting set (spring and ring)		61.01.02.04.00.24
14	2		pressure spring DIN 2098 0,7x7,65/9,05x21		04.21.00.80.21.00
15	2		wire form ring 2x16		04.29.04.42.20.00
o.B.	1	61130601			61.13.06.01.00.83
16	1	61110302	U-part for angle adjustment, right		61.11.01.03.02.74
o.B.	1	61110301	U-part for angle adjustment, left		61.11.01.03.01.74
17-22	2	61110399	mounting set U-part for angle adjustment		XXXXXXXXXXXX
17	1		counter sunk screw with hexagon socket DIN 7991 M6x20		01.65.08.54.02.40
18	2		washer reinforced Ø14/6,2x2		58.30.15.01.00.24
19	1		washer DIN 125 - A 6,4		02.61.06.41.41.20
20	1		washer DIN 7349 - 6,4		02.77.06.53.00.20
21	2		hexagon cap nut low form with clamp DIN 986 - M6		02.33.00.60.11.20
22	1				01.67.08.54.60.84
o.B.	1		lens head screw with hexagon socket M6x20		01.43.08.54.65.00
23-24	2	623302XX			62.33.08.01.00.00
o.B.	2	623304XX			62.33.02.02.00.00
24	2				04.63.10.20.01.10
25	2	623403XX			62.33.08.02.00.00
o.B.	2	623404XX			62.33.03.03.00.00
27	2	623303XX			62.33.08.03.00.00
o.B.	2	623305XX			62.33.03.02.00.00
29-31	2	62330099	mounting set back tube		XXXXXXXXXXXX
29	2		lens head screw with hexagon socket ISO 7380 - M6x35		01.42.08.59.65.00
30	2		washer DIN 125 - A 6,4		02.61.06.41.41.20
31	2		hexagon nut self-locking low form DIN 985 - M6		02.32.00.60.01.20



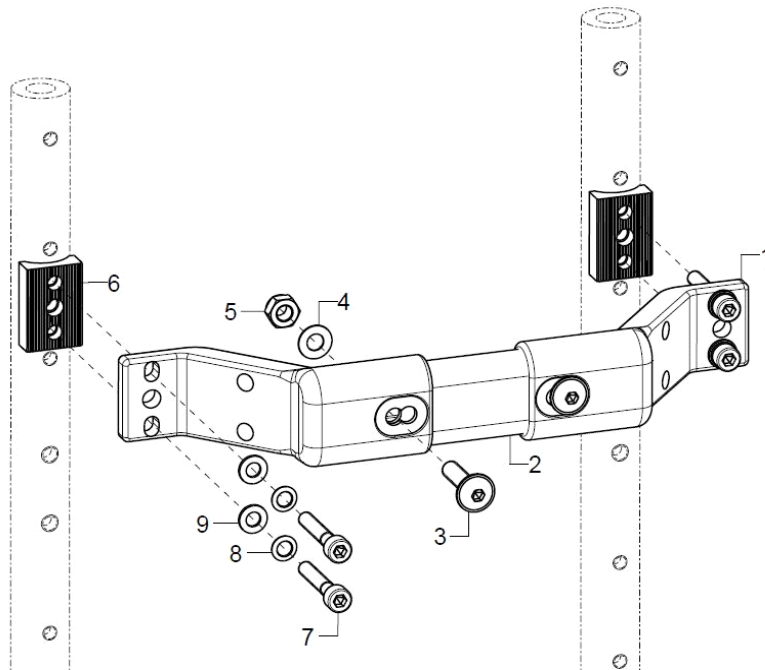
Back with gas pressure spring adjustment





pcs.	Q/1	item no.	Product name:	Variant:	drawing no.
1-30	1	6107			
1+3-5	1	6107XX02			61.07.06.02.XX.00
o.B.	1	6107XX01			61.07.06.01.XX.00
2	2	610710			61.07.10.01.00.00
3	1		plugs for tube ø18x1-2, black		04.63.10.18.00.10
4	1				03.56.08.19.51.00
5	2		washer DIN 125 - A 8,4		02.61.08.41.41.20
6	1				03.46.02.20.01.00
7-9	2	62370299	mounting set back angle adjustment		XXXXXXXXXXXX
7	2		lens head screw with hexagon socket ISO 7380 - M6x25		01.42.08.56.65.00
8	2		lock washer S6		02.99.10.60.01.10
9	2		saddle washer Ø12/6x2,5		35.04.16.01.00.10
10-11	2	190505			04.27.04.10.00.50
o.B.	2	190507	gas pressure spring 200/40 complete with release knob		04.27.04.20.00.60
11	2	190521	gas pressure spring release knob		04.27.00.99.81.00
12-16	2	19050599			
12	1		lens head screw with hexagon socket ISO 7380 - M6x40		01.42.08.60.65.00
13	2		washer DIN 9021 -6,4		02.79.06.41.60.20
14	3		washer DIN 125 - A 10,5 - PA black		02.61.10.52.01.71
15	1				62.36.01.07.00.10
16	1		hexagon nut self-locking low form DIN 985 - M6		02.32.00.60.01.20
17-20	1	190503	fitted bolt M8x35 SW13		19.05.03.10.00.28
18	4		washer DIN 125 - A 8,4 - PA black		02.61.08.41.61.71
19	1		washer DIN 125 - A 8,4		02.61.08.41.41.20
20	1		hexagon nut self-locking low form DIN 985 - M8		02.32.00.80.01.20
21-25	2	190512	gas pressure spring release incl. mounting set		19.05.12.99.00.10
21	2	190513	hand release lever for gas pressure spring, not lockable		04.54.92.12.20.10
22	2	352412	end bush metal ø5		04.54.91.50.10.41
23	2	352013	outer shell for Bowden cable black 150mm		04.54.91.21.53.00
24	2	190517	inner cable for gas pressure spring 1.3x2000		04.54.91.11.31.30
25	2	352005	end cap for inner Bowden cable ø1-1,5 mm		04.54.91.50.10.40
26-30	2	610703			61.07.03.01.00.10
27	1		lens head screw with hexagon socket ISO 7380 - M6x25		01.42.08.56.65.00
28	2		washer DIN 9021- 6,4- PA		02.79.06.41.60.70
29	3		washer DIN 9021 -6,4		02.79.06.41.60.20
30	1		hexagon nut DIN 934 - M6		02.19.00.60.01.20

Stabilizer bar, tripartite

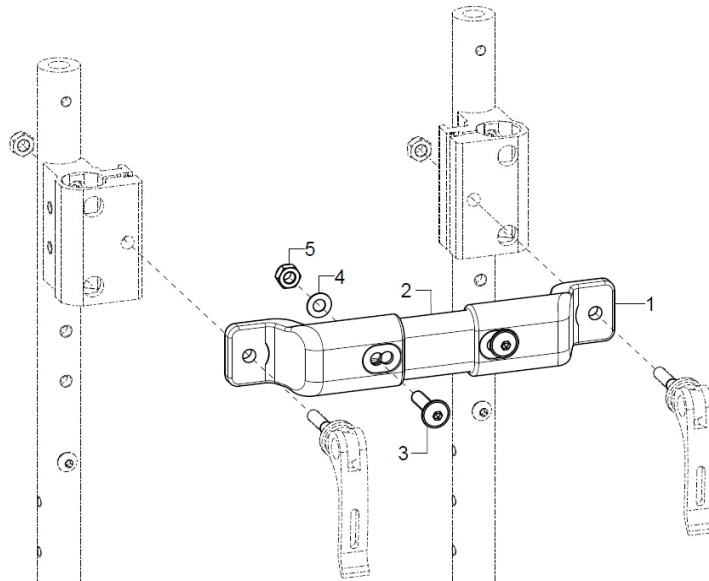


pcs.	Q/1	item no.	Product name:	Variant:	drawing no.
1-5	1	64090301			
1	2	64090101			64.09.01.01.00.00
2	1	64090110			64.09.01.07.00.00
3	2		lens head screw with hexagon socket M6x25		01.43.08.56.65.00
4	2		fitted washer DIN 988 - 6x12x0,5 - A2		02.68.06.00.50.30
5	2		hexagon nut self-locking low form DIN 985 - M6		02.32.00.60.01.20
6-9	2	64080599	mounting set adapter for stabilizer bar		XXXXXXXXXXXX
6	1	640102	half shell 30, R10, 20x8,5x30, 2xø5,2/18		64.01.02.03.00.29
7	2				01.22.07.98.62.40
8	2		lock washer S5		02.99.10.50.01.10
9	2		washer DIN 125 - A 5,3		02.61.05.31.01.20

SB	L Stabilisierungsrohr
30	175
32	195
34	215
36	235
38	255
40	275
42	295
44	315
46	335

Stabilizer bar, undivided

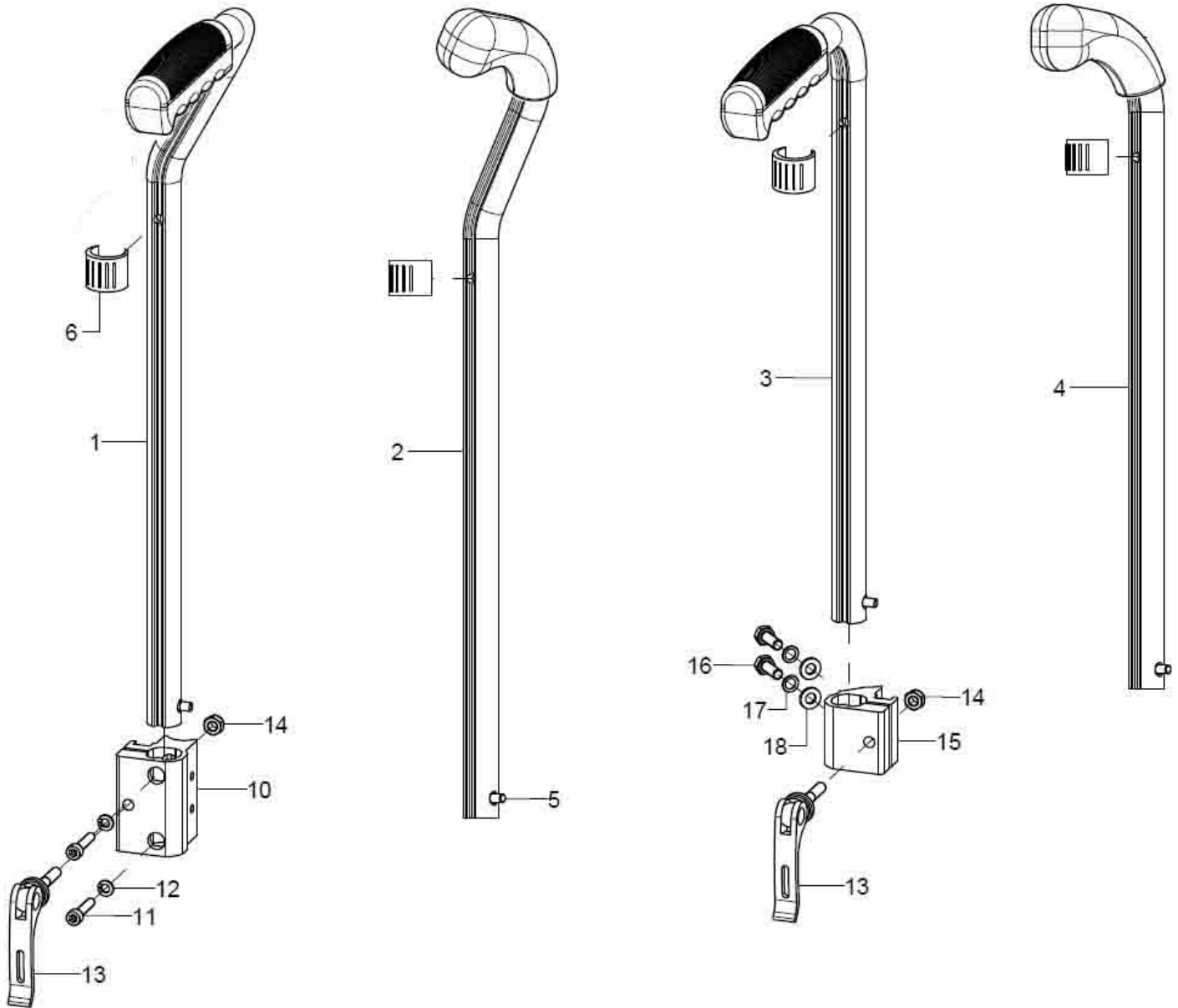
Use: Back from RH35 with extendable push handles/bars



pcs.	Q/1	item no.	Product name:	Variant:	drawing no.
1-5	1	64090302			
1	2	64090103			64.09.01.03.00.00
2-5	1	64090110			64.09.01.07.00.00
3	2		lens head screw with hexagon socket M6x25		01.43.08.56.65.00
4	2		fitted washer DIN 988 - 6x12x0,5 - A2		02.68.06.00.50.30
5	2		hexagon nut self-locking low form DIN 985 - M6		02.32.00.60.01.20

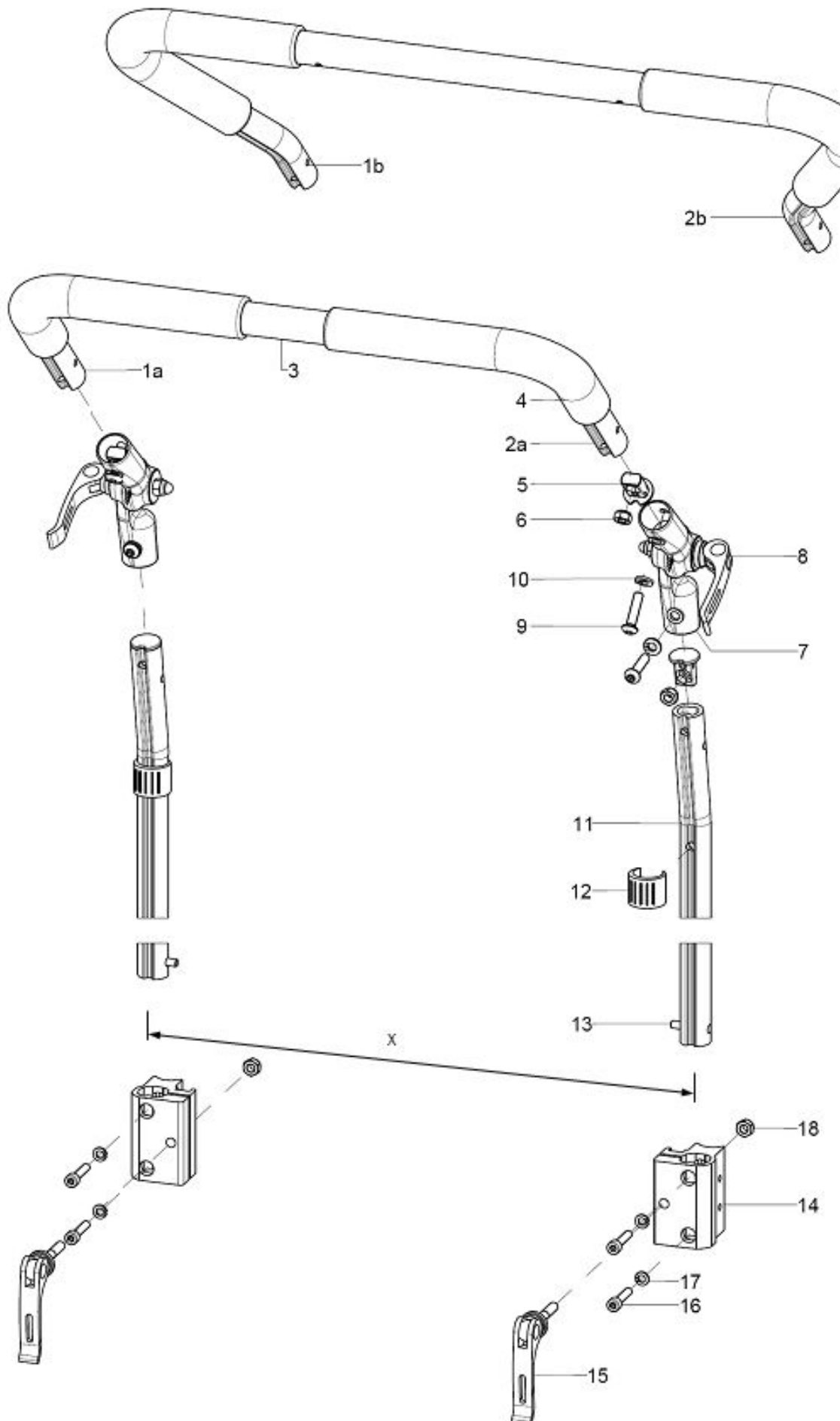
SB	L Stabilisierungsrohr
30	175
32	195
34	215
36	235
38	255
40	275
42	295
44	315
46	335

Push handles, extendable



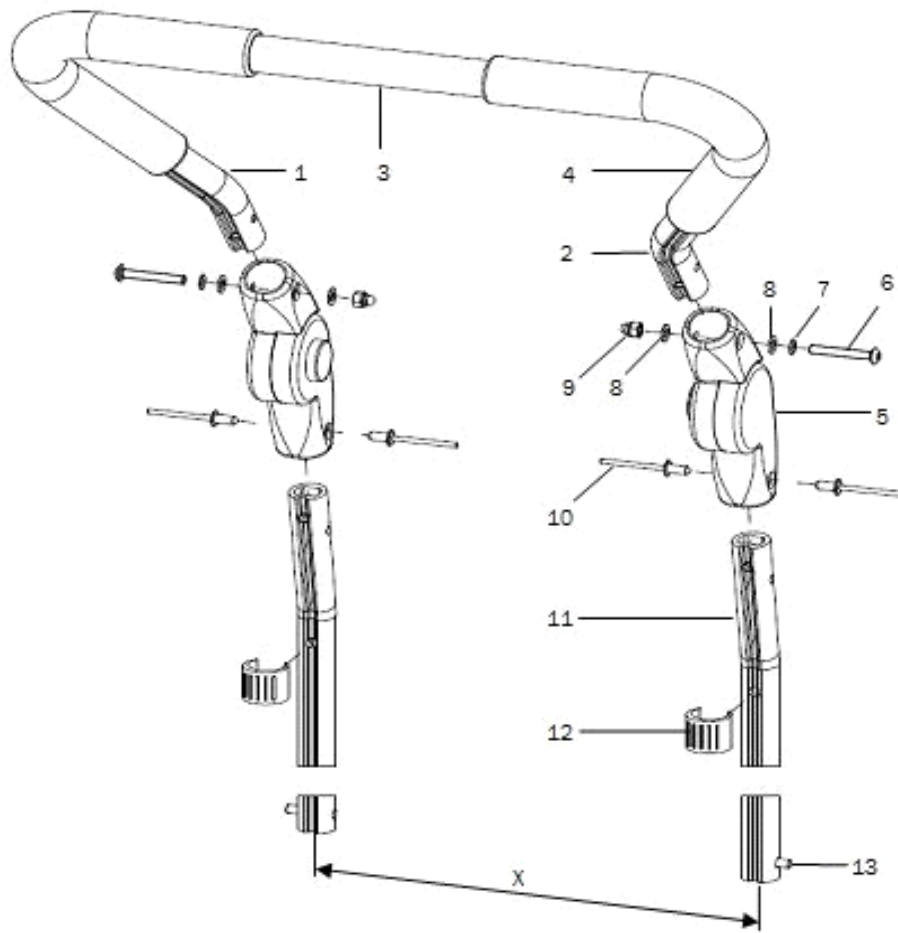
pcs.	Q/1	item no.	Product name:	Variant:	drawing no.
1+5+6	1	650632	push handle 25 cm, cranked, extendable, right complete		65.06.30.01.06.28
o.B.	1	650631	push handle 25 cm, cranked, extendable, left complete		65.06.30.01.05.28
2+5+6	1	650552			65.05.50.01.02.00
o.B.	1	650551			65.05.50.01.01.00
altern.	1	650554			65.05.50.02.02.00
o.B.	1	650553			65.05.50.02.01.00
3+5+6	2	650130	push handle 15 cm, extendable straight, complete		65.01.30.01.00.10
o.B.	2	650230	push handle 25 cm, straight, extendable, complete		65.02.30.01.00.10
4-6	2	650251			65.02.50.01.00.00
o.B.	2	650250			65.02.50.02.00.00
5	2	650160	locking unit for push handles		65.01.30.03.00.10
6	2	046350200010	clamp conductor black, \varnothing 18-20		04.63.50.20.00.10
10-14	2	650051	push handle clamp holder 38x42x58, incl. eccentric clamp and mounting set		65.00.51.01.00.10
o.B.	2	650056			65.00.56.02.00.18
11	2		cylinder screw DIN 912 M5x25		01.22.07.96.62.40
12	2		spring ring DIN 127 - A 5		02.85.30.50.05.10
13	1	652225			04.13.40.60.35.10
14	1		hexagon nut self-locking low form DIN 985 - M6		02.32.00.60.01.20
15-18+13	2				65.00.57.01.00.00
16	2		hexagon screw DIN 933 - M6x20		01.04.08.54.02.40
17	2		spring ring DIN 127- A6		02.85.30.60.05.10
18	2		washer DIN 125 - A 6,4		02.61.06.41.41.20

Push bar, extendable (from SW32)



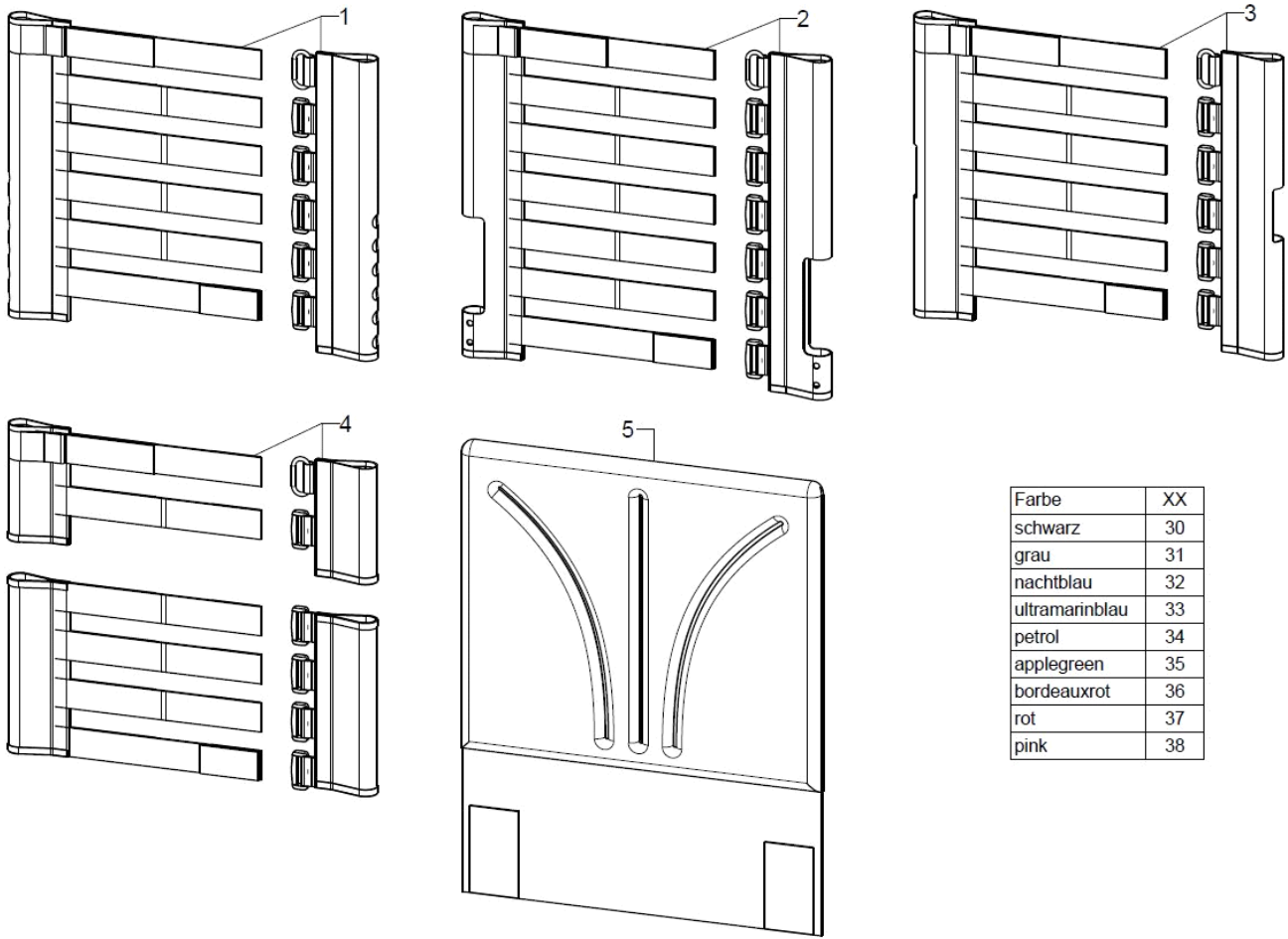
pcs.	Q/1	item no.	Product name:	Variant:	drawing no.
1-5+9-11	1	6532	push bail extendable by 20 cm, 307° angle adjustment metal joint, complete		XXXXXXXXXXXX
1a+2a+3-4	1	653001	push bail 90° pre-assembled for SW 40 – 46 when push handle clamp holder is mounted to the back tube		XXXXXXXXXXXX
1b+2b+3-4	1	653002	push bail cropped pre-assembled		XX.XX.XX.XX.XX.XX
1a	1	653009	push bail, bend part- 20x150x150, left		65.34.00.02.01.66
1b	1	653006	push bail left part		65.30.01.02.01.47
2a	1	653010	push bail, bend part- 20x150x150, right		65.34.00.02.02.66
2b	1	653007	push bail right part		65.30.01.02.02.47
3	1	653004	steel tube incl. riveting		65.30.01.04.00.24
4	2	653005	tube cover - rubber 260 mm		65.30.03.01.00.47
5-6	4	653406	plug for nut M6 incl hexagon nut		65.22.20.10.00.00
6	4		hexagon nut self-locking low form DIN 985 - M6		02.32.00.60.01.20
7-10	2	652220	angle adjusting element metal 307° compl with eccentric clamp and mounting set		65.22.20.99.00.10
8	1	652224	eccentric clamp length 35 mm M6x20, black (incl. spring, nut, washer, bush)		65.22.24.99.00.76
9	2		lens head screw with hexagon socket ISO 7380 - M6x25		01.42.08.56.65.00
10	2		spring ring DIN 127- A6		02.85.30.60.05.10
11-13	2	653202	profile tube support 200		65.31.02.01.00.24
12	2	046350200010	clamp conductor black, ø 18-20		04.63.50.20.00.10
13	2	650160	locking unit for push handles		65.01.30.03.00.10
14-18	2	650061	push bail holder R10		65.00.51.02.00.10
o.B.		650065			65.00.56.05.00.77
o.B.	2	650063	push bail clamp holder 45° on stabilizer rod		65.14.02.02.00.10
15	1	652225			04.13.40.60.35.10
16	2		cylinder screw DIN 912 M5x25		01.22.07.96.62.40
17	2		spring ring DIN 127 - A 5		02.85.30.50.05.10
18	1		hexagon nut self-locking low form DIN 985 - M6		02.32.00.60.01.20

Push bar, extendable (to SW30)



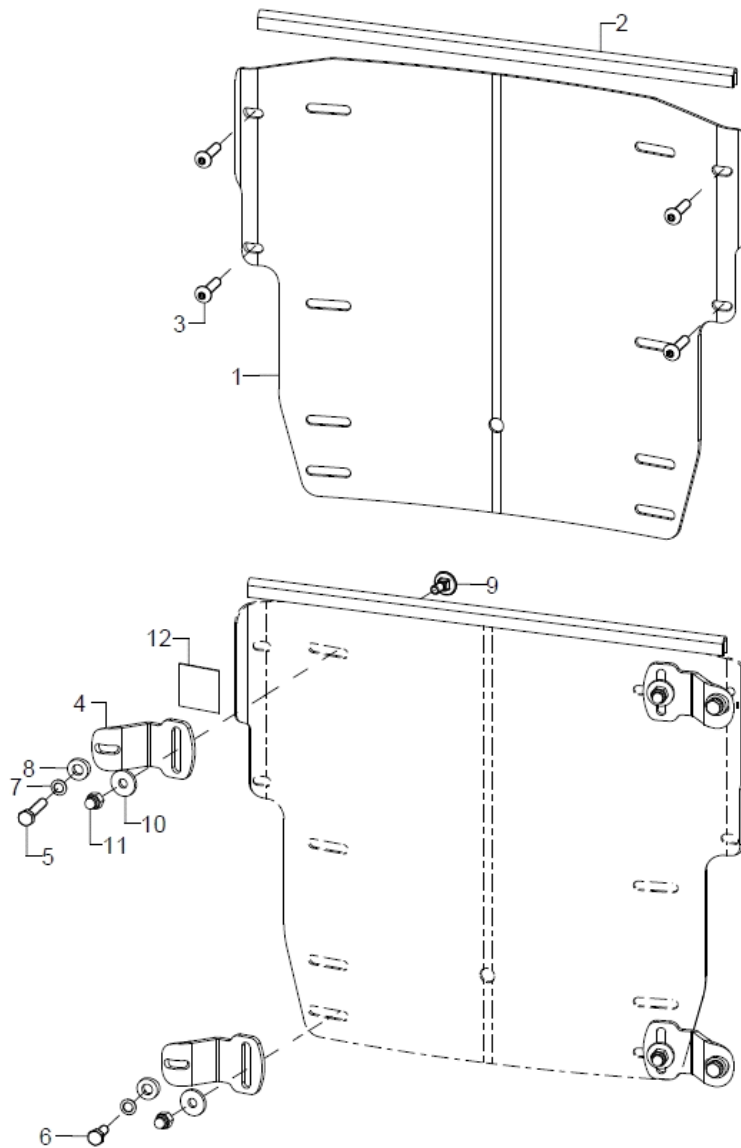
pcs.	Q/1	item no.	Product name:	Variant:	drawing no.
1-13	1	6534	push bail extendable by 22 cm, 205° angle adjustment synthetic joint, complete		XXXXXXXXXXXX
1-4	1	653002	push bail cropped pre-assembled		XX.XX.XX.XX.XX.XX
1	1	653006	push bail left part		65.30.01.02.01.47
2	1	653007	push bail right part		65.30.01.02.02.47
3	1	653004	steel tube incl. riveting		65.30.01.04.00.24
4	2	653005	tube cover - rubber 260 mm		65.30.03.01.00.47
5-10	2	653403	synthetic joint with push knob 205° incl. mounting set		04.03.01.20.01.00
6	1		lens head screw with hexagon socket ISO 7380 - M5x35		01.42.07.99.65.00
7	1		lock washer S5		02.99.10.50.01.10
8	2		washer DIN 125 - A 5,3		02.61.05.31.01.20
9	2		hexagon cap nut low form with clamp DIN 986 - M5		02.33.00.60.21.20
10	2		blind rivet F5x10 A2/A2		03.64.00.50.10.30
11	2	653202	profile tube support 200		65.31.02.01.00.24
12	2	046350200010	clamp conductor black, ø 18-20		04.63.50.20.00.10
13	2	650160	locking unit for push handles		65.01.30.03.00.10

Seat cover, adjustable



pcs.	Q/1	item no.	Product name:	Variant:	drawing no.
1+5	1	670102XX			XX.XX.XX.XX.XX.XX
2+5	1	670103XX			XX.XX.XX.XX.XX.XX
3+5	1	670104XX			XX.XX.XX.XX.XX.XX
4+5	1	610105XX			XX.XX.XX.XX.XX.XX
1	1				XX.XX.XX.XX.XX.XX
2	1	670500	back cover adjustable		XXXXXXXXXXXX
3	1				XX.XX.XX.XX.XX.XX
4	1				XX.XX.XX.XX.XX.XX
5	1	670599	back cover with cushion 2 cm		XX.XX.XX.XX.XX.XX
o.B.	2		counter sunk screw with hexogon socket DIN 7991 M5x16		01.65.07.92.05.00
o.B.	2		rosette ø13/6x2, black		04.14.70.60.02.00

Curved back plate

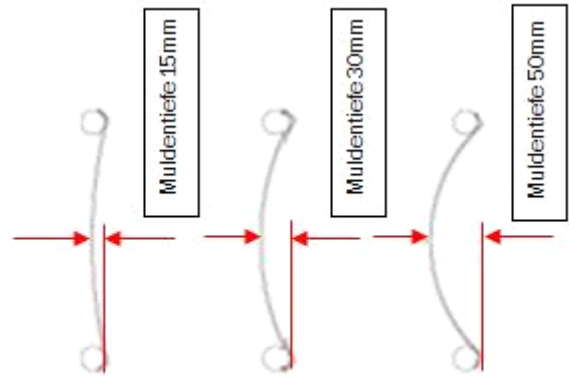
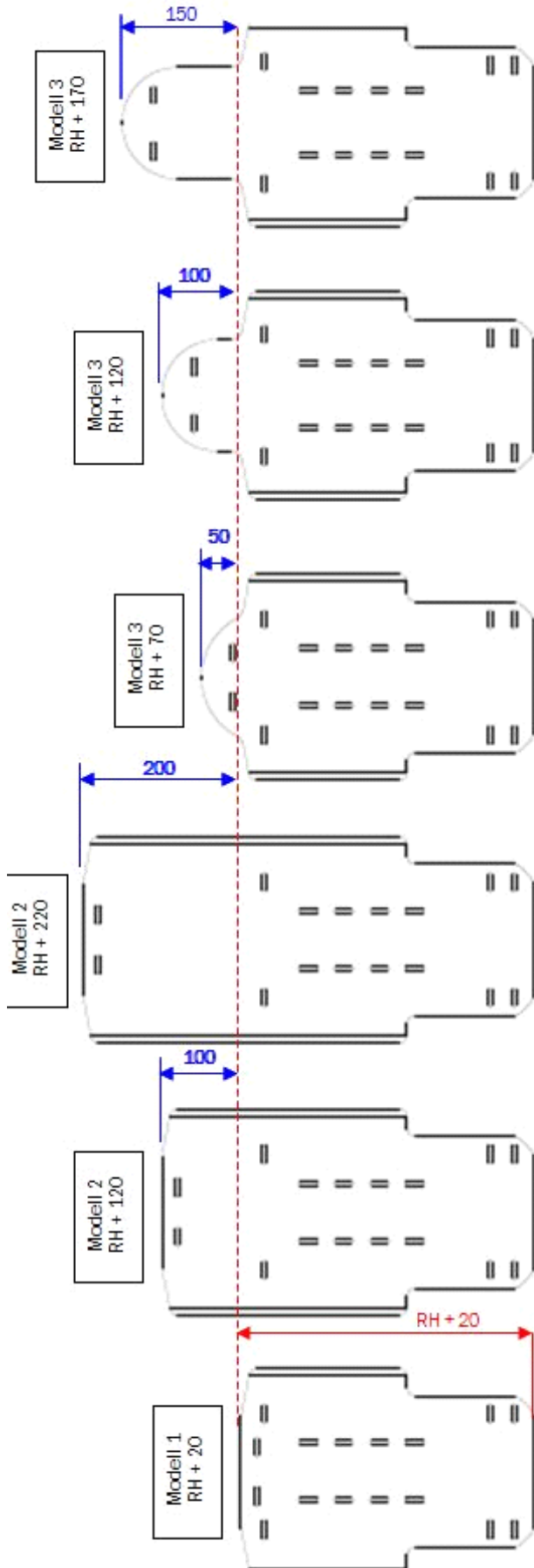


pcs.	Q/1	item no.	Product name:	Variant:	drawing no.
1	1	6930XX			69.30.XX.00.00.00
o.B.	1	6931XX			69.31.XX.00.00.00
o.B.	1	6932XX			69.32.XX.00.00.00
o.B.	1	6933XX			69.33.XX.00.00.00
o.B.	1	6934XX			69.34.XX.00.00.00
o.B.	1	6935XX			69.35.XX.00.00.00
o.B.	1	6950XX			69.50.XX.00.00.00
o.B.	1	6951XX			69.51.XX.00.00.00
o.B.	1	6952XX			69.52.XX.00.00.00
o.B.	1	6953XX			69.53.XX.00.00.00
o.B.	1	6954XX			69.54.XX.00.00.00
o.B.	1	6955XX			69.55.XX.00.00.00
2	1	450030	edge protection-steel clamp band, 1-2 mm black		00.45.07.10.99.10
3	4				01.42.07.95.65.00
4-12	2	692598	mounting set curved back plate		XXXXXXXXXXXX
4-12	2	692593			XXXXXXXXXXXX
5-11	2	692599			



4	1	692510	screwed on holding plate	69.25.05.01.00.69
5	1		hexagon screw DIN 933 - M5x25	01.04.07.96.02.40
6	1		hexagon screw DIN 933 - M5x16	01.04.07.92.02.40
7	1		lock washer S5	02.99.10.50.01.10
8	1			40.04.16.01.00.10
9	1		round-head screw DIN 6003 M5x12	01.11.07.89.00.40
10	1		washer DIN 7349 - 5,3	02.77.05.22.00.20
11	1		hexagon cap nut low form with clamp DIN 986 - M5	02.33.00.60.21.20
12	2		Velcro strap 25 mm	00.42.61.02.50.11

Übersicht Muldenrücken

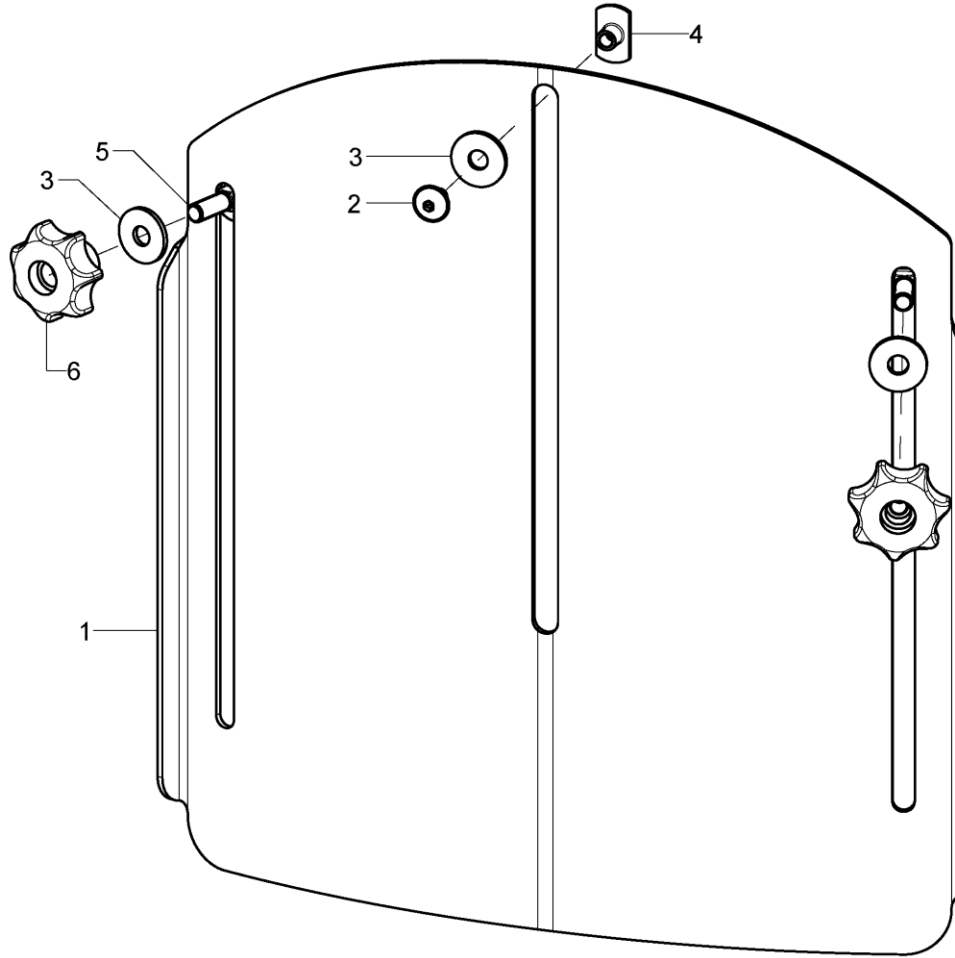


Back elongation

Curved back version 1: only from BH 35 cm

Curved back version 3: only from BH 30 cm, only with BH+5cm

If the curved back is attached with the fitting set for solid back, a back extension is only possible from SW28.



pcs.	Q/1	item no.	Product name:	Variant:	drawing no.
1	1	686091			68.60.01.00.00.00
o.B.	1	686092			68.60.02.00.00.00
2-6	1	68607299	mounting set back extension		XXXXXXXXXXXX
2	1		lens head screw with hexagon socket M5x8		01.43.07.87.62.60
3	3		washer DIN 9021- 6,4- PA		02.79.06.41.60.70
4	1		weld nut C- M5x7,5		02.49.33.03.00.10
5	2		round-head screw DIN 6003 M6x20		01.11.08.54.00.40
6	2		7-star knob ø32 - M6 internal thread continuous, black		04.05.37.64.20.30

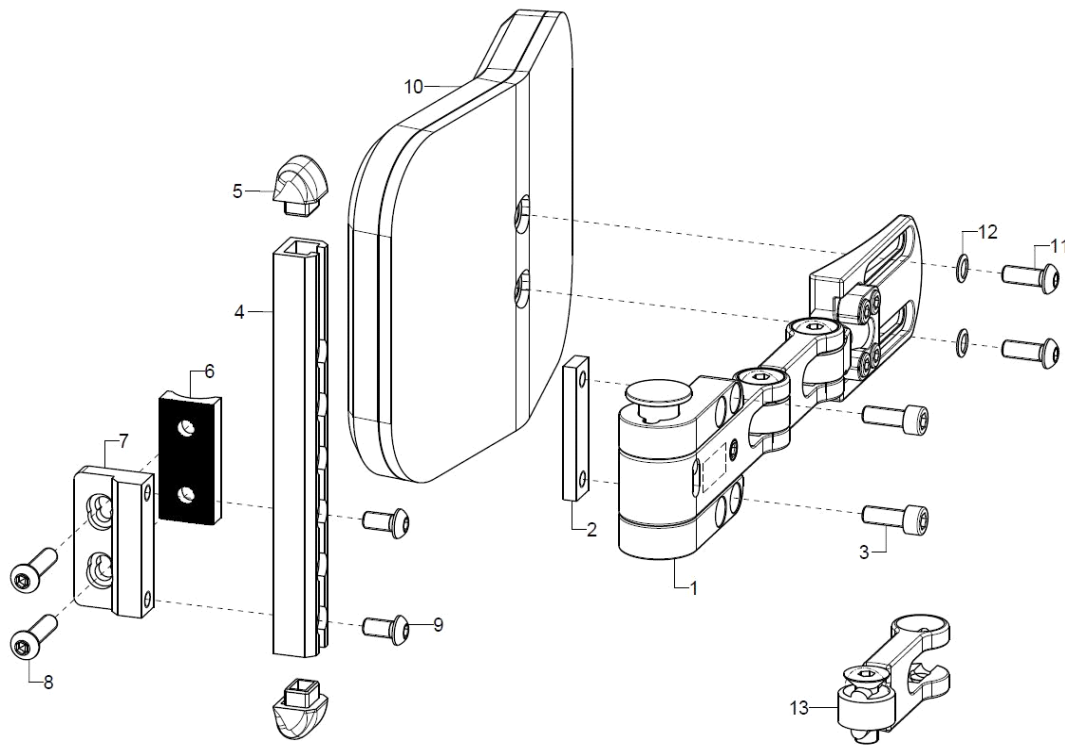
Cushion for curved back plate

pcs.	Q/1	item no.	Product name:	Variant:	drawing no.
o.B.	1	8517	back cushion 3cm with zipper		XXXXXXXXXXXXX
o.B.	1	8517XX	cover for back cushion		XXXXXXXXXXXXX
o.B.	1	891104	anatomical back (3cm) incl. changeable cover		
o.B.	1	891106	anatomical back (5cm) incl. changeable cover		
o.B.	1	8911XX	cover for anatomical back		XXXXXXXXXXXXX
o.B.	1	68607201	head rest pad incl. cover for back extension		

Stoffmuster	XX
schwarz	30
grau	31
nachtblau	32
ultramarinblau	33
petrol	34
aplegreen	35
bordeauxrot	36
rot	38
pink	39

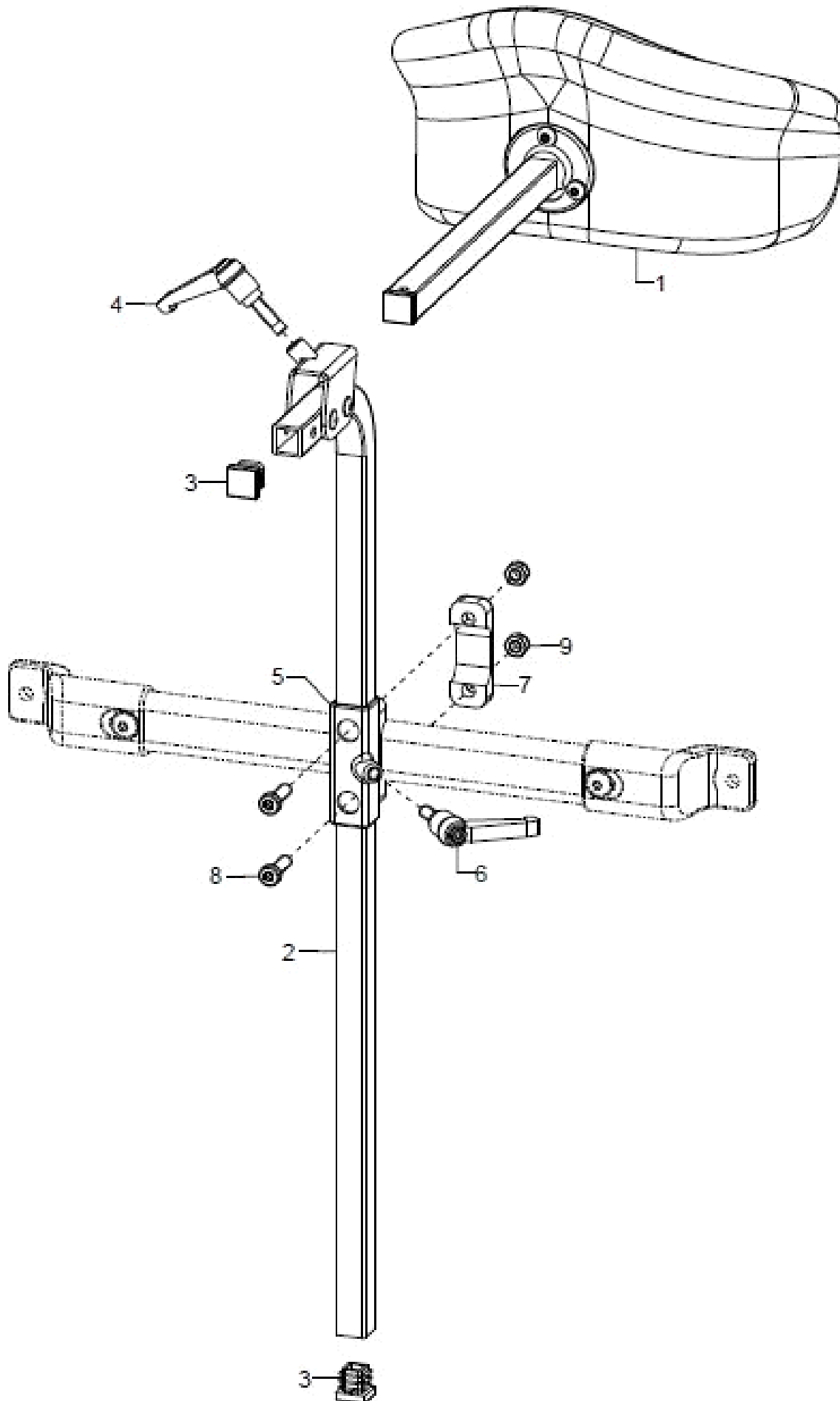
Alle Stoffmuster können unter www.sorgrollstuhltechnik.de angesehen werden.

Truss pads Stealth from BH 35cm

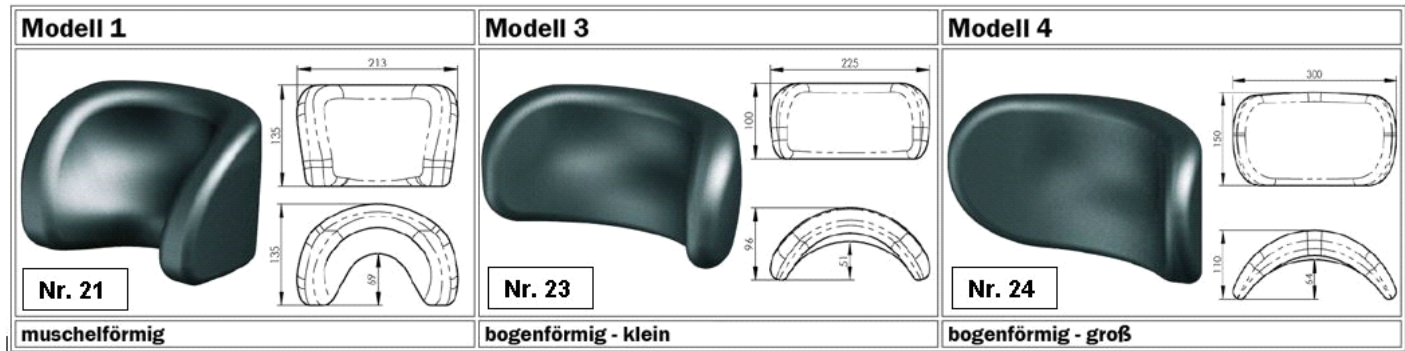


pcs.	Q/1	item no.	Product name:	Variant:	drawing no.
1	1	68590202			68.59.02.00.02.00
o.B.	1	68590201			68.59.02.00.01.00
2-9	1	68590111			68.59.01.11.90.00
2-5+9	1	68590112			XX.XX.XX.XX.XX.XX
2	1				68.59.02.12.00.00
3	2		cylinder screw DIN 912 M6x16		01.22.08.52.62.40
4	1				68.59.01.20.00.00
5	2				68.59.01.20.01.00
6	1				68.57.01.05.00.00
7	1				68.57.01.03.00.00
8	2		lens head screw with hexagon socket ISO 7380 - M6x25		01.42.08.56.65.00
o.B.	2		lens head screw with hexagon socket ISO 7380 - M6x30		01.42.08.58.65.00
9	2		lens head screw with hexagon socket ISO 7380 - M6x12		01.42.08.49.65.00
o.B.	2		counter sunk screw with hexagon socket DIN 7991 M5x16		01.65.07.92.05.00
10-12	1	68590106			68.59.01.26.00.00
o.B.	1	68590204			68.59.01.23.00.00
o.B.	1	68590205			68.59.01.24.00.00
11	2		lens head screw with hexagon socket ISO 7380 - M6x16		01.42.08.52.65.00
12	2		lock washer S6		02.99.10.60.01.10
13	1	68590203			68.59.02.15.00.00

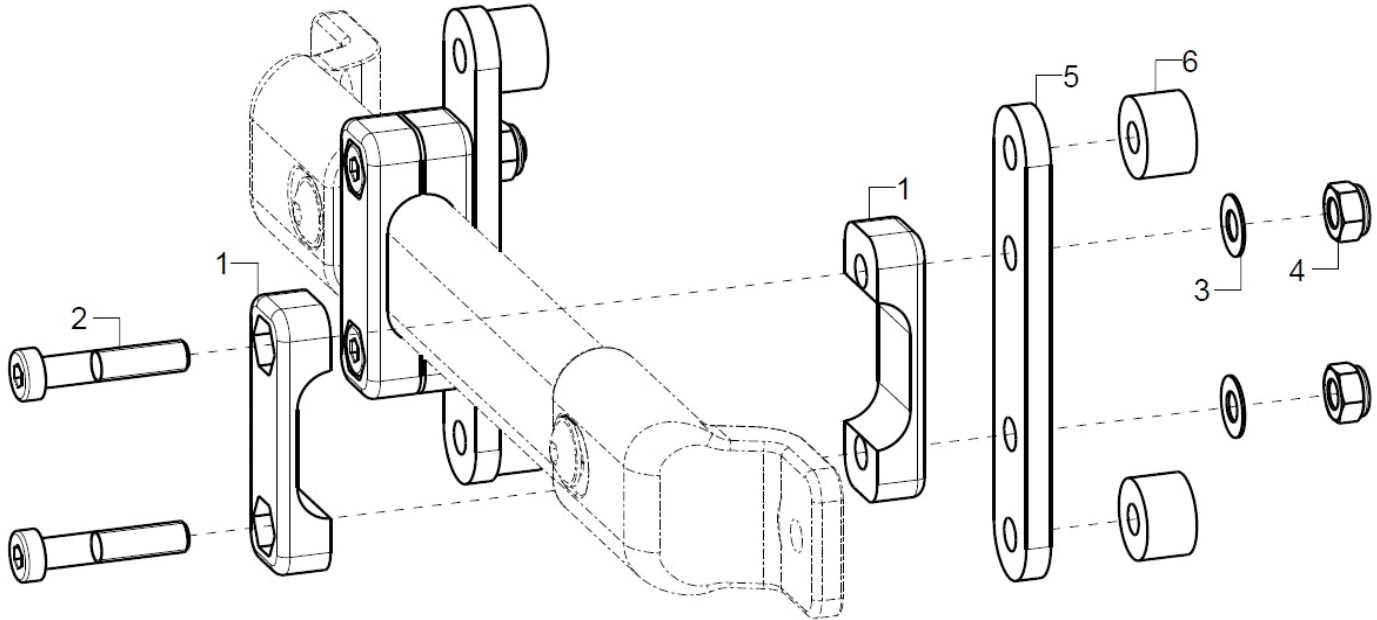
Head rest



pcs.	Q/1	item no.	Product name:	Variant:	drawing no.
1	1	686031	head rest cushion model 1, 213x145 mm shell form complete		68.60.15.99.00.10
altern.	1	686033	head rest model 3, 225x100 curved complete		68.60.16.99.00.10
altern.	1	686034	head rest model 4, 300x150 curved complete		68.60.19.99.00.10
o.B.	1	68605001			
2-4	1	68600801			68.60.08.99.01.00
o.B.	1	68600802			68.60.08.99.02.00
3	2		plugs for square tubes, black 15x15		04.63.11.15.00.10
4	1	403110	clamp lever adjustable M6x20, black		04.13.10.60.20.50
5-9	1	68600810			68.60.01.01.00.00
6	1	45320303			04.13.10.60.16.50
7	1				68.63.01.03.00.00
8	2				01.24.08.53.05.00
9	2		hexagon nut self-locking low form DIN 985 - M6		02.32.00.60.01.20



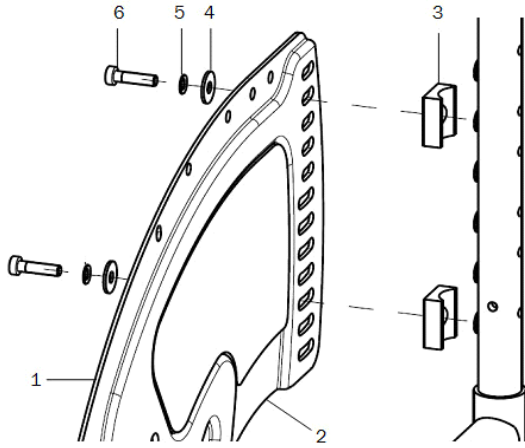
Connection for back shell



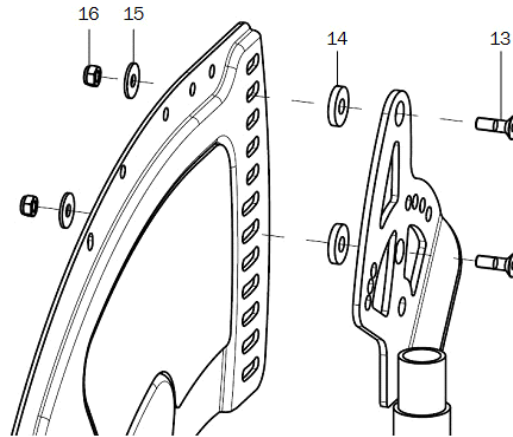
pcs.	Q/1	item no.	Product name:	Variant:	drawing no.
1-6	1/2				
1	2				68.63.01.03.00.00
2	2				01.24.08.58.05.00
3	2		fitted washer DIN 988 - 6x12x0,5 - A2		02.68.06.00.50.30
4	2		hexagon nut self-locking low form DIN 985 - M6		02.32.00.60.01.20
5	1				69.80.04.01.00.80
6	2	35310209			45.31.01.03.00.72

Side guards standard

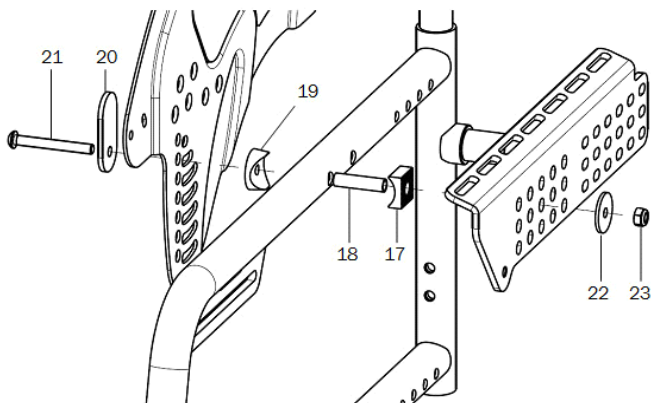
Verschraubung hinten bei Rücken Standard



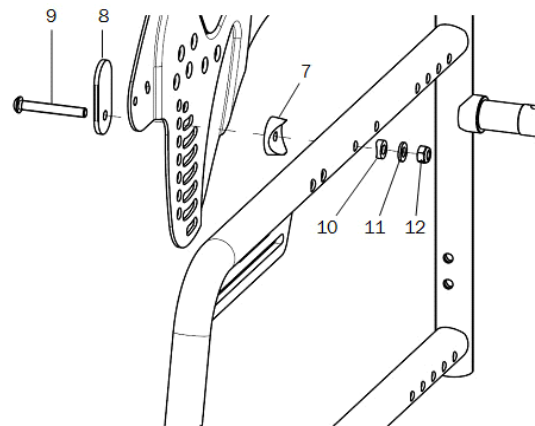
Verschraubung hinten bei Rücken winkelverstellbar



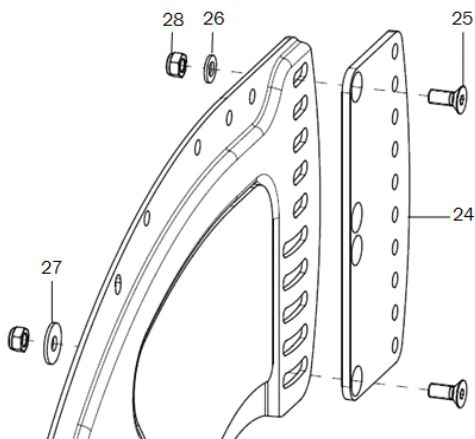
Verschraubung vorne mit Sitzplattenträger, bzw. Bespannungsträger bei Sitztiefe 22 - 32



Verschraubung vorne ohne Sitzträger, bei Sitztiefe 34 - 40

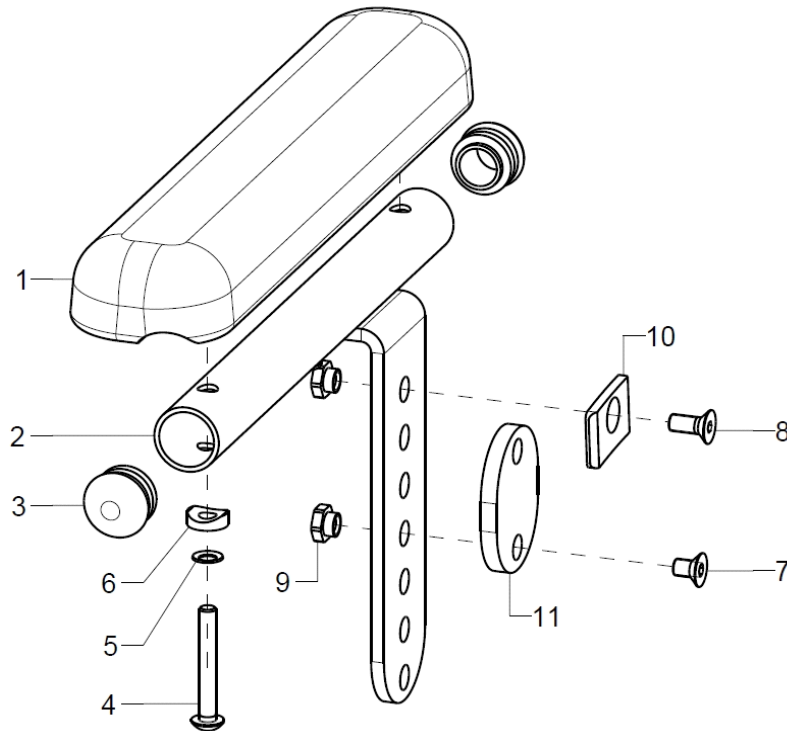


Seitenteilverlängerung



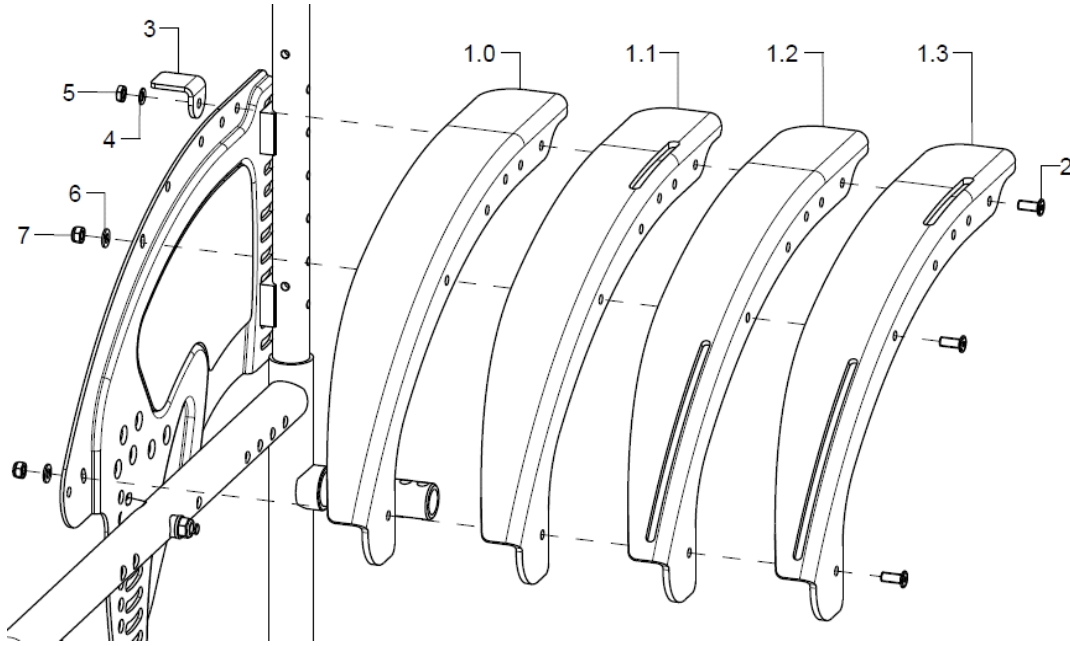
pcs.	Q/1	item no.	Product name:	Variant:	drawing no.
1	1	45252202	side guard 20" /22" right		45.25.01.01.02.74
o.B.	1	45252201	side guard 20"/ 22" left		45.25.01.01.01.74
altern.	1	45252402	side guard 24" right		45.25.01.02.02.74
o.B.	1	45252401	side guard 24" left		45.25.01.02.01.74
altern.	1	45252602			45.25.05.11.02.75
o.B.	1	45252601			45.25.05.11.01.75
2	1	452522	insulation pad 20"/24"		45.25.01.20.00.74
o.B.	1	452524	insulation pad 24"		45.25.01.24.00.74
3- 6+17- 23	2				
13-23	2				
3-12	1				
7-16	2				
3	2				45.17.01.06.00.69
4	2		washer DIN 9021 - M5		02.79.05.31.20.20
5	2		lock washer S5		02.99.10.50.01.10
6	2		cylinder head screw low head DIN 912 - M5x20		01.23.07.94.02.40
7	1		saddle washer black \varnothing 24/6		04.63.39.24.06.30
8	1	45250111			45.25.01.11.00.74
9	1		lens head screw with hexagon socket ISO 7380 - M6x45		01.42.08.61.65.00
10	1		saddle washer \varnothing 12/6x2,5		35.04.16.01.00.10
11	1		washer DIN 125 - A 6,4		02.61.06.41.41.20
12	1		hexagon nut self-locking low form DIN 985 - M6		02.32.00.60.01.20
13	2		counter sunk screw with hexagon socket DIN 7991 M5x16		01.65.07.92.05.00
14	2		washer DIN 7349 - 6,4		02.77.06.53.00.20
15	2		washer DIN 9021 - M5		02.79.05.31.20.20
16	1		hexagon nut self-locking low form DIN 985 - M5		02.32.00.50.01.20
17	1	190835	half shell 20 R12, D8		19.08.01.02.00.69
18	1				19.08.01.01.00.69
19	1		saddle washer black \varnothing 24/6		04.63.39.24.06.30
20	1	45250111			45.25.01.11.00.74
21	1		lens head screw with hexagon socket ISO 7380 - M6x50		01.42.08.62.65.00
22	1				40.24.01.04.00.54
23	1		hexagon nut self-locking low form DIN 985 - M6		02.32.00.60.01.20
24-28	2				
25	2		counter sunk screw with hexagon socket DIN 7991 M5x12		01.65.07.89.05.00
26	1		washer DIN 125 - A 5,3		02.61.05.31.01.20
27	1		washer DIN 9021 - M5		02.79.05.31.20.20
28	2		hexagon nut self-locking low form DIN 985 - M5		02.32.00.50.01.20

Arm rest for side guards standard



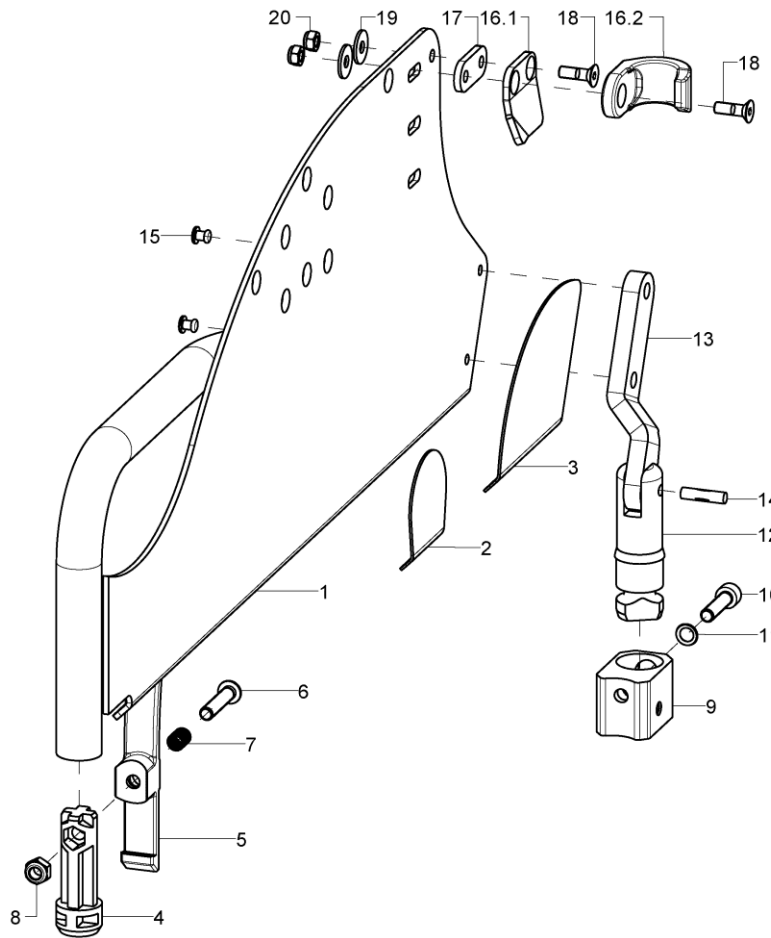
pcs.	Q/1	item no.	Product name:	Variant:	drawing no.
1-10	1P	452600	arm pad for standard side guard, complete		XXXXXXXXXXXX
1-9+11	1P	452601			
1	2	450007	arm rest, straight black 240x50x26, 2xM5x164		04.65.01.24.00.10
2-3	1P	452603	holder for arm pad incl 3		45.26.05.00.00.74
3	2		plugs for tube ø20x1-2, black		04.63.10.20.00.10
4-10	2	452699	mounting set arm pad		XXXXXXXXXXXX
4-9+11	2	452698			
4	2		lens head screw with hexogon socket ISO 7380 - M5x35		01.42.07.99.65.00
5	2		lock washer S5		02.99.10.50.01.10
6	2				40.04.16.01.00.10
7	1				01.65.07.87.05.01
o.B.	1		counter sunk screw with hexogon socket DIN 7991 M5x14		01.65.07.90.05.00
8	1		counter sunk screw with hexogon socket DIN 7991 M5x12		01.65.07.89.05.00
o.B.	1		counter sunk screw with hexogon socket DIN 7991 M5x14		01.65.07.90.05.00
9	2				45.25.01.13.00.74
10	1				45.25.01.12.00.74
11	1				45.26.05.01.00.74

Clothes guard side guard



pcs.	Q/1	item no.	Product name:	Variant:	drawing no.
1	1	50240102	skirtguard 22" standard, right		50.24.01.01.02.74
o. B.	1	50240101	skirtguard 22" standard, left		50.24.01.01.01.74
alt.	1	50240202	skirtguard 24" standard, right		50.24.01.02.02.74
o. B.	1	50240201	skirtguard 24" standard, left		50.24.01.02.01.74
1.1	1	50240302	skirtguard 22" for arm rest, right		50.24.01.03.02.74
o. B.	1	50240301	skirtguard 22" for arm rest, left		50.24.01.03.01.74
alt.	1	50240402	skirtguard 24" for arm rest, right		50.24.01.04.02.74
o. B.	1	50240401	skirtguard 24" for arm rest, left		50.24.01.04.01.74
1.2	1	50240502	skirtguard 22" for cable brake, right		50.24.01.05.02.74
o. B.	1	50240501	skirtguard 22" for cable brake, left		50.24.01.05.01.74
alt.	1	50240602	skirtguard 24" cable brake, right		50.24.01.06.02.74
o. B.	1	50240601	skirtguard 24" for cable brake, left		50.24.01.06.01.74
1.3	1	50240702	skirtguard 22" cable brake/arm rest, right		50.24.01.07.02.74
o. B.	1	50240701	skirtguard 22" cable brake/arm rest, left		50.24.01.07.01.74
alt.	1	50240802	skirtguard 24" cable brake/arm rest, right		50.24.01.08.02.74
o. B.	1	50240801	skirtguard 24" cable brake/arm rest, left		50.24.01.08.01.74
2-7	2	502499	mounting set skirt guard		XXXXXXXXXXXX
2	3				01.66.07.89.95.00
3	1	50240115			50.24.01.15.00.74
4	1		lock washer S5		02.99.10.50.01.10
5	1		low hexagon nut DIN 439 - M5 - 05 vz		02.03.00.50.07.20
6	2		washer DIN 125 - A 5,3		02.61.05.31.01.20
7	2		hexagon nut self-locking low form DIN 985 - M5		02.32.00.50.01.20

Desk side guards



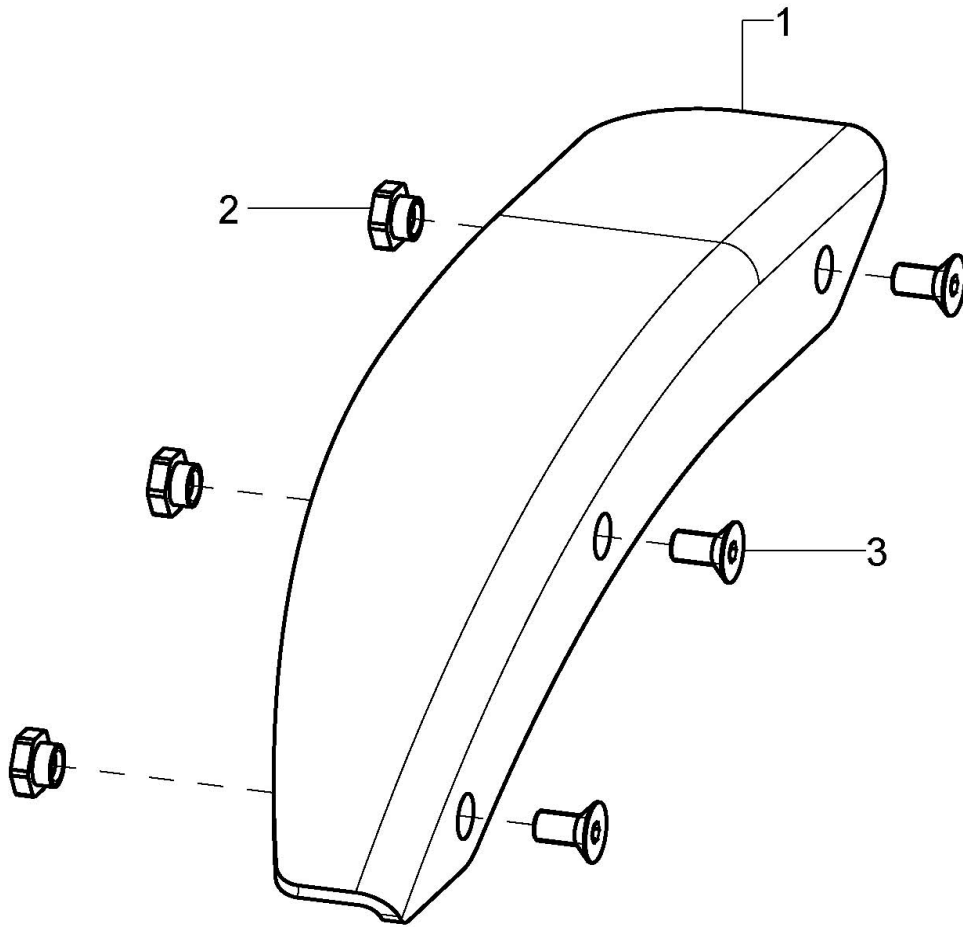
pcs.	Q/1	item no.	Product name:	Variant:	drawing no.
1	1	46100202			46.10.02.01.02.75
o.B.	1	46100201			46.10.02.01.01.75
altern.	1	46100302			46.10.03.01.02.75
o.B.	1	46100301			46.10.03.01.01.75
2	2	46100121			46.10.01.21.00.75
3	2	46100120			46.10.01.20.00.75
o.B.	1	45170202			45.17.01.05.02.69
o.B.	1	45170201			45.17.01.05.01.69
4	2	46100113			46.10.01.13.00.75
5-8	2	46100114			46.10.01.14.00.75
6	1		lens head screw with hexagon socket ISO 7380 - M6x30		01.42.08.58.65.00
7	1		pressure spring DIN 2098 0,7x7,65/9,05x21		04.21.00.80.21.00
8	1		hexagon nut self-locking low form DIN 985 - M6		02.32.00.60.01.20
9-11	2	46100117			46.10.99.17.00.75
10	1		cylinder screw DIN 912 M6x25		01.22.08.56.02.40
11	1		lock washer S6		02.99.10.60.01.10
12-15	2	46101802			46.10.01.18.00.75
13	1				46.10.01.15.02.75
o.B.	1				46.10.01.15.01.75
14	1				03.36.05.20.00.01
15	2		blind rivet F5x10 A2/A2		03.64.00.50.10.30
16.1+1 8-20	1	46101602			46.10.01.16.02.75



o.B.	1	46101601		46.10.01.16.01.75
16.2+1 8-20	2	45260110		45.26.01.10.00.75
17	2			46.10.01.19.00.75
18	2(1)	counter sunk screw with hexogon socket DIN 7991 M5x16		01.65.07.92.05.00
19	2(1)	washer DIN 9021 - M5		02.79.05.31.20.20
20	2(1)	hexagon nut self-locking low form DIN 985 - M5		02.32.00.50.01.20

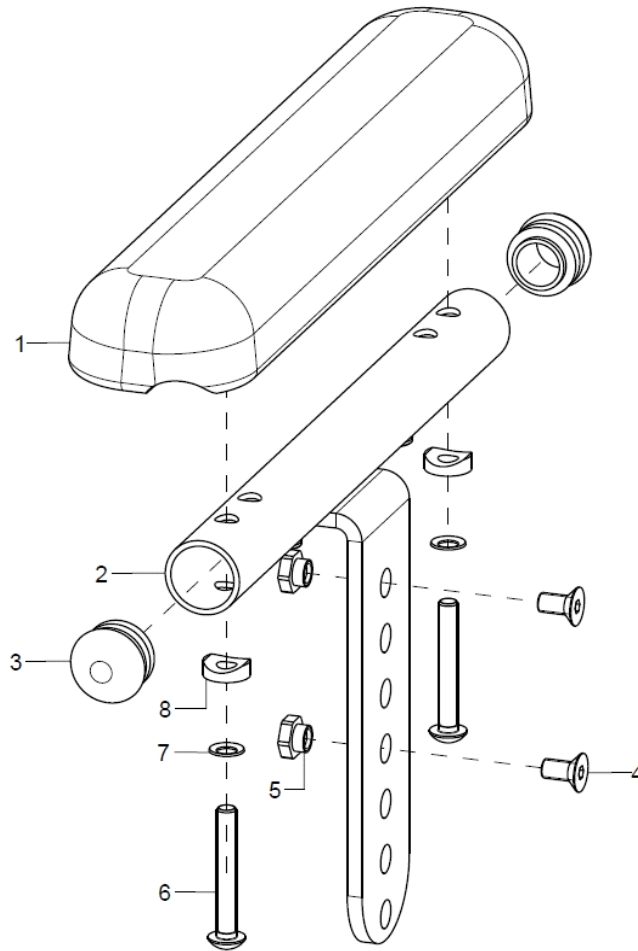
Clothes guard desk side guards

(for Desk side guard and desk side guard with gas pressure spring back)



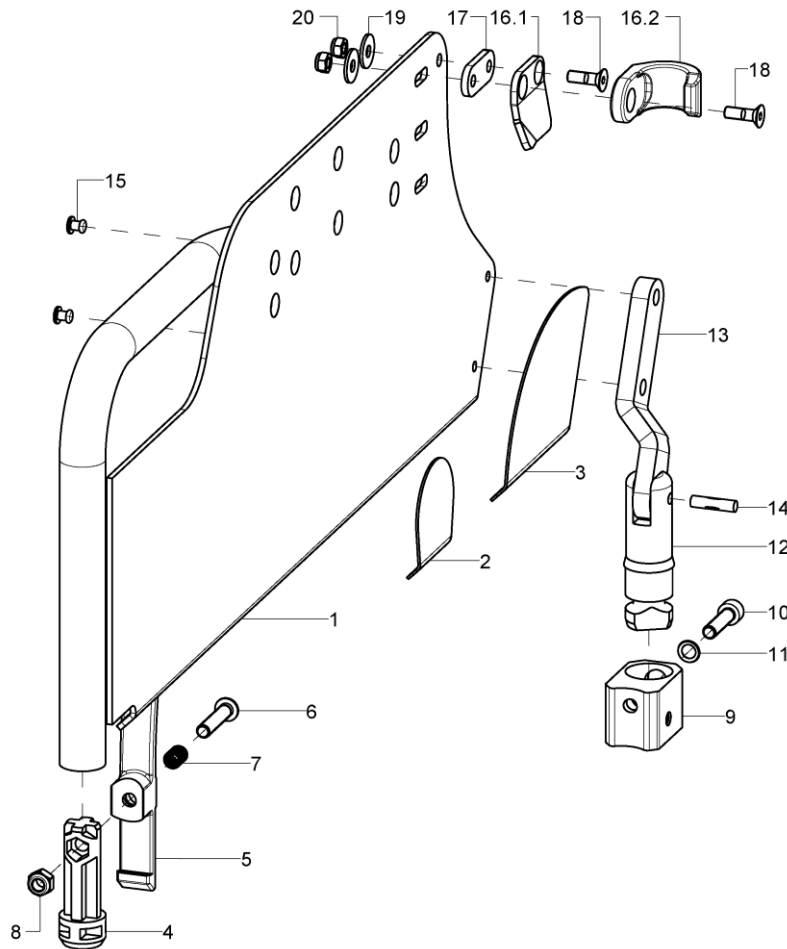
pcs.	Q/1	item no.	Product name:	Variant:	drawing no.
1-3	1	46100102			46.10.01.24.02.75
o.B.	1	46100101			46.10.01.24.01.75
2	3				45.25.01.13.00.74
3	3		counter sunk screw with hexogon socket DIN 7991 M5x10		01.65.07.88.05.00

Arm rest for desk side guards



pcs.	Q/1	item no.	Product name:	Variant:	drawing no.
1-8	1	461005			
1	1	450007	arm rest, straight black 240x50x26, 2xM5x164		04.65.01.24.00.10
2-5	1	461002			45.25.03.00.00.74
3	2	620002	plug for rod $\varnothing 20 \times 1-2$, black		04.63.10.20.00.10
4	2				01.65.07.87.05.01
5	2				45.25.01.13.00.74
6-8	1	452697			
6	2		lens head screw with hexagon socket ISO 7380 - M5x35		01.42.07.99.65.00
7	2		lock washer S5		02.99.10.50.01.10
8	2				40.04.16.01.00.10

Long side guard

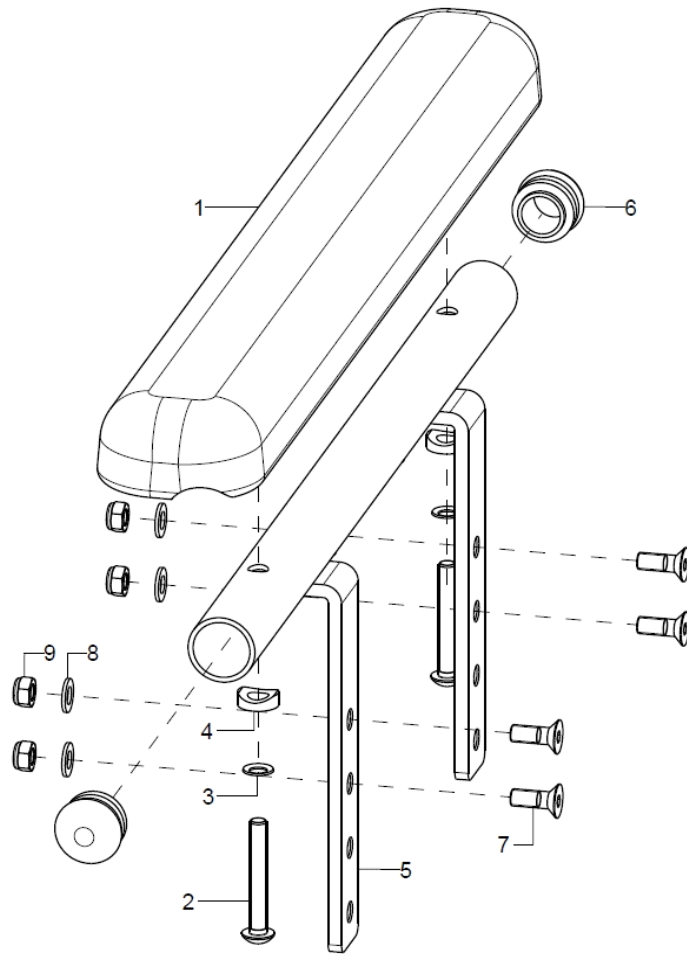


pcs.	Q/1	item no.	Product name:	Variant:	drawing no.
1	1	46110202			46.11.02.01.02.75
o.B.	1	46110201			46.11.02.01.01.75
altern.	1	46110302			46.11.03.01.02.75
o.B.	1	46110301			46.11.03.01.01.75
2	2	46100121			46.10.01.21.00.75
3	2	46100120			46.10.01.20.00.75
o.B.	1	45170202			45.17.01.05.02.69
o.B.	1	45170201			45.17.01.05.01.69
4	2	46100113			46.10.01.13.00.75
5-8	2	46100114			46.10.01.14.00.75
6	1		lens head screw with hexagon socket ISO 7380 - M6x30		01.42.08.58.65.00
7	1		pressure spring DIN 2098 0,7x7,65/9,05x21		04.21.00.80.21.00
8	1		hexagon nut self-locking low form DIN 985 - M6		02.32.00.60.01.20
9-11	2	46100117			46.10.99.17.00.75
10	1		cylinder screw DIN 912 M6x25		01.22.08.56.02.40
11	1		lock washer S6		02.99.10.60.01.10
12-15	2	46101802			46.10.01.18.00.75
13	1				46.10.01.15.02.75
o.B.	1				46.10.01.15.01.75
14	1				03.36.05.20.00.01
15	2		blind rivet F5x10 A2/A2		03.64.00.50.10.30
16.1+1 8-20	1	46101602			46.10.01.16.02.75



o.B.	1	46101601		46.10.01.16.01.75
16.2+1 8-20	2	45260110		45.26.01.10.00.75
17	2			46.10.01.19.00.75
18	2(1)	counter sunk screw with hexogon socket DIN 7991 M5x16		01.65.07.92.05.00
19	2(1)	washer DIN 9021 - M5		02.79.05.31.20.20
20	2(1)	hexagon nut self-locking low form DIN 985 - M5		02.32.00.50.01.20

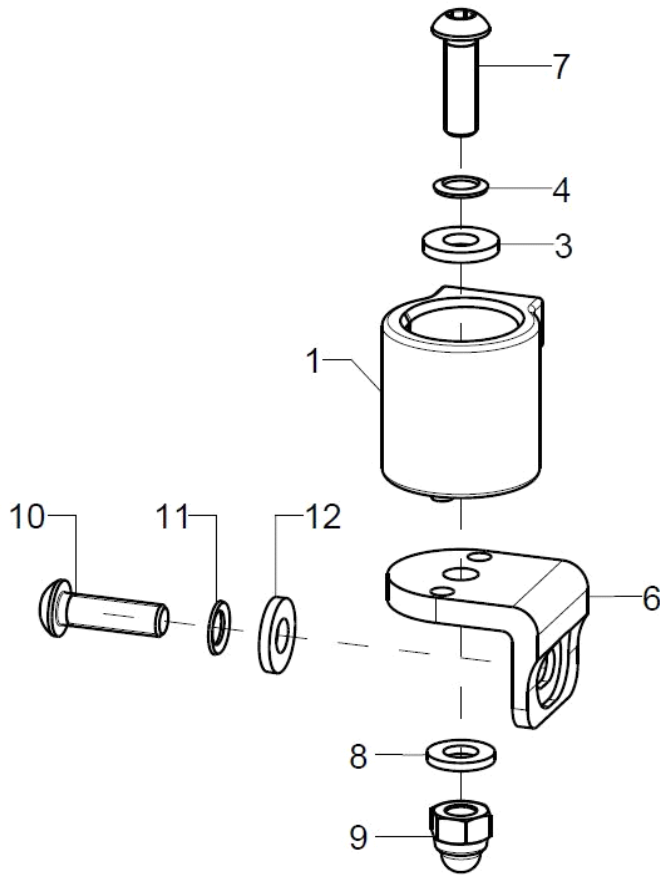
Arm rest for long side guard



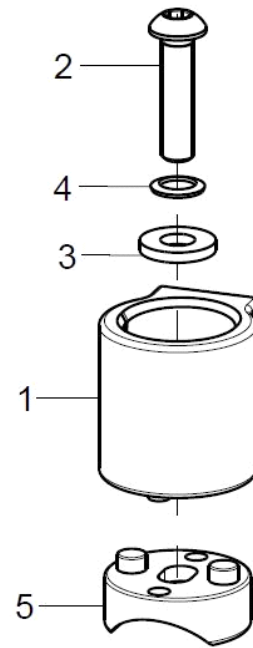
pcs.	Q/1	item no.	Product name:	Variant:	drawing no.
1-9	1P	452507			
1	2	450010			04.65.01.37.00.10
2-4	1	45250799			
2	2		lens head screw with hexagon socket ISO 7380 - M5x35		01.42.07.99.65.00
3	2		lock washer S5		02.99.10.50.01.10
4	2				40.04.16.01.00.10
5-9	1	45250702			45.25.07.01.02.75
o.B.	1	45250701			45.25.07.01.01.75
6	2		plugs for tube $\varnothing 20 \times 1-2$, black		04.63.10.20.00.10
7	4		counter sunk screw with hexagon socket DIN 7991 M5x14		01.65.07.90.05.00
8	4		washer DIN 125 - A 5,3		02.61.05.31.01.20
9	4		hexagon nut self-locking low form DIN 985 - M5		02.32.00.50.01.20

Desk/long side guard, front socket

Bei geradem Rahmen



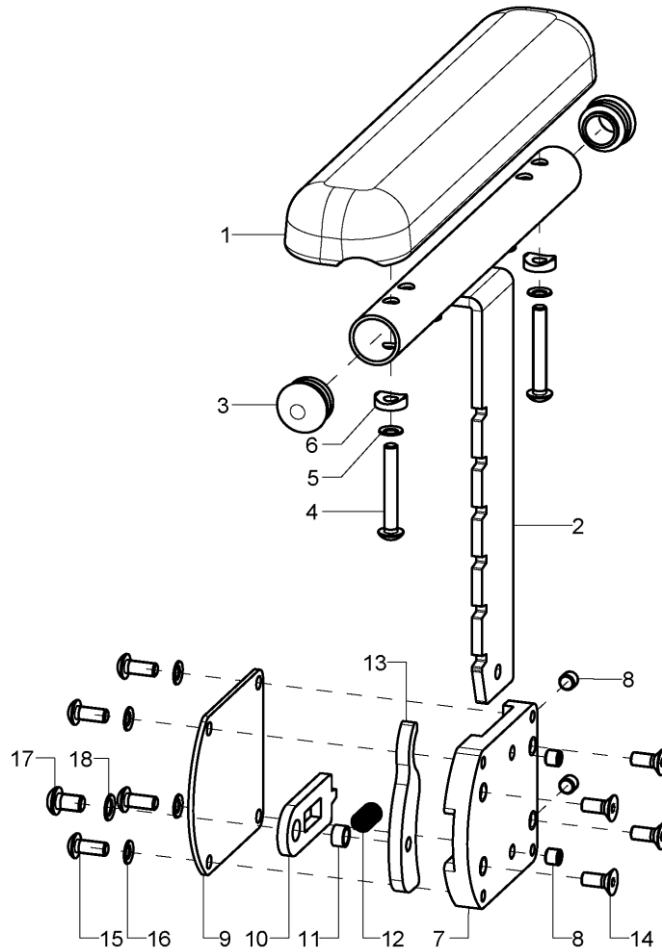
Bei abduziertem Rahmen Gr.2



pcs.	Q/1	item no.	Product name:	Variant:	drawing no.
1-5	2	46100130			
1+3+4 +6-12	2	46100135			
1	1	46100110			46.10.01.10.00.75
2	1		lens head screw with hexagon socket ISO 7380 - M6x25		01.42.08.56.65.00
3	1		washer reinforced $\varnothing 14/6,2 \times 2$		58.30.15.01.00.24
4	1		lock washer S6		02.99.10.60.01.10
5	1	46100112			46.10.01.12.00.75
6	1				46.10.81.01.00.81
7	1		lens head screw with hexagon socket ISO 7380 - M6x20		01.42.08.54.05.00
8	1		washer DIN 125 - A 6,4		02.61.06.41.41.20
9	1		hexagon cap nut low form with clamp DIN 986 - M6		02.33.00.60.11.20
10	1		lens head screw with hexagon socket ISO 7380 - M6x20		01.42.08.54.05.00
11	1		lock washer S6		02.99.10.60.01.10
12	1		washer reinforced $\varnothing 14/6,2 \times 2$		58.30.15.01.00.24

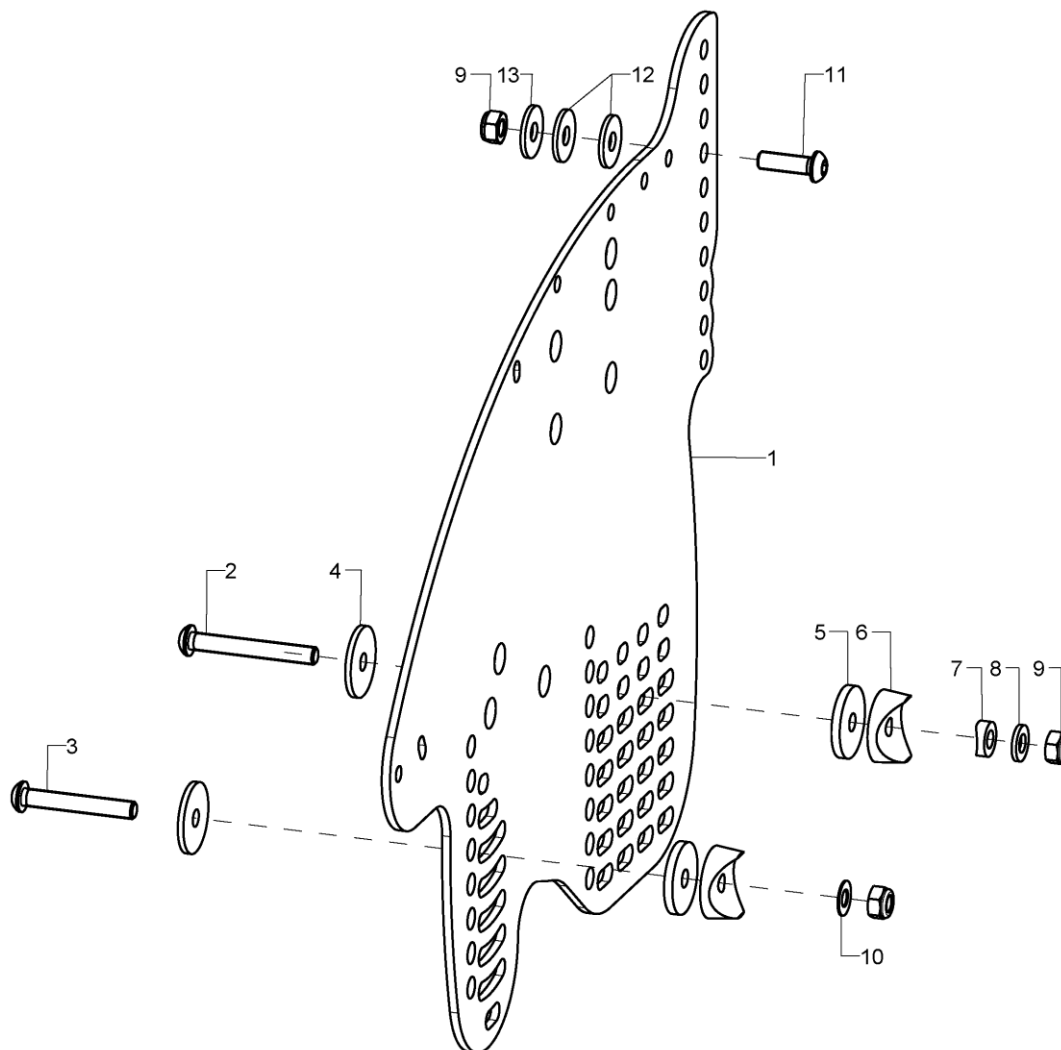
Arm pad with raster

Suitable for Desk side guard and long side guard



pcs.	Q/1	item no.	Product name:	Variant:	drawing no.
1-18	1	452506			
1	1	450007	arm rest, straight black 240x50x26, 2xM5x164		04.65.01.24.00.10
2-3	1	45250611			45.25.06.10.02.75
o.B.	1	45250610			45.25.06.10.01.75
3	2		plugs for tube $\varnothing 20 \times 1-2$, black		04.63.10.20.00.10
4	2		lens head screw with hexagon socket ISO 7380 - M5x35		01.42.07.99.65.00
5	2		lock washer S5		02.99.10.50.01.10
6	2				40.04.16.01.00.10
7-18	1	45250622			
o.B.	1	45250621			
7	1				45.25.06.02.00.75
8	4				01.68.08.45.06.00
9	1				45.25.06.04.00.75
10	1				45.25.06.01.00.75
11	1				45.25.06.11.00.75
12	1		pressure spring DIN 2098 0,7x7,65/9,05x21		04.21.00.80.21.00
13	1				45.25.06.05.00.75
14	4		counter sunk screw with hexagon socket DIN 7991 M5x12		01.65.07.89.05.00
15	4		lens head screw with hexagon socket ISO 7380 - M5x12		01.42.07.89.65.00
16	4		lock washer S5		02.99.10.50.01.10
17	1		lens head screw with hexagon socket ISO 7380 - M6x10		01.42.08.48.65.00
18	1		lock washer S6		02.99.10.60.01.10

Side guard for back with gas pressure spring

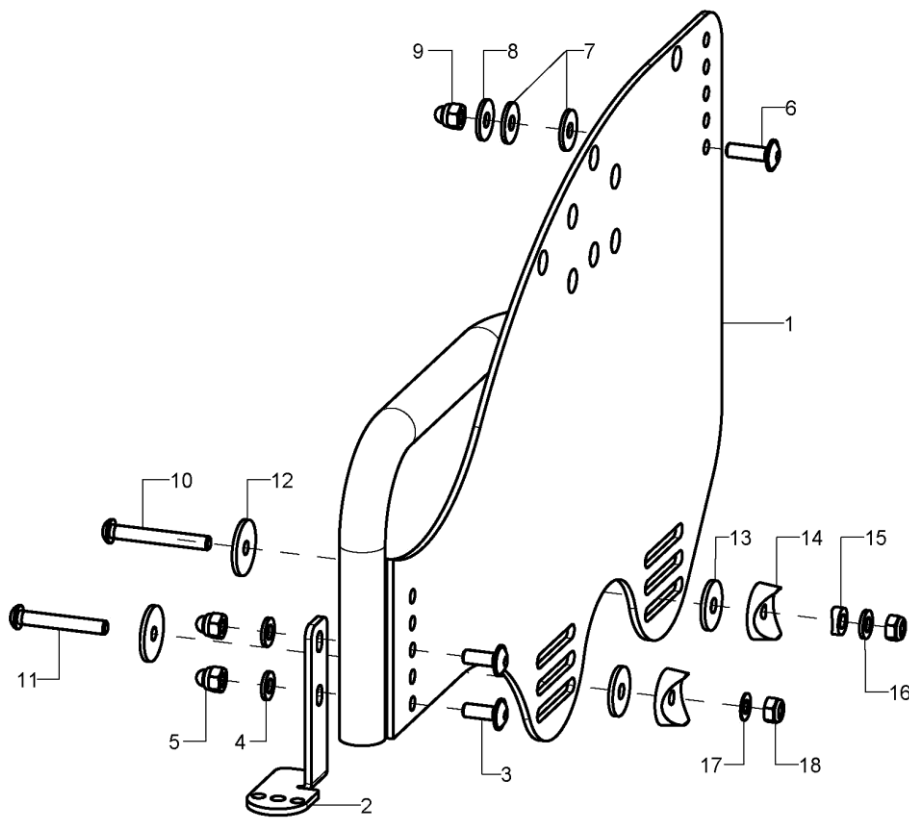


pcs.	Q/1	item no.	Product name:	Variant:	drawing no.
1	1	45252604			45.25.05.12.02.75
o.B.	1	45252603			45.25.05.12.01.75
altern.	1	45252404			45.25.05.10.02.75
o.B.	1	45252403			45.25.05.10.01.75
altern.	1	45252204			45.25.05.09.02.75
o.B.	1	45252203			45.25.05.09.01.75
2-13	2	452597			
2	1		lens head screw with hexagon socket ISO 7380 - M6x50		01.42.08.62.65.00
3			lens head screw with hexagon socket ISO 7380 - M6x50		01.42.08.62.65.00
altern.			lens head screw with hexagon socket ISO 7380 - M6x45		01.42.08.61.65.00
4	2				40.24.01.04.00.54
5	2		saddle washer black ϕ 24/8		04.63.39.24.08.30
6	1		washer DIN 125 - A 6,4		02.61.06.41.41.20
7	3		hexagon nut self-locking low form DIN 985 - M6		02.32.00.60.01.20
8	1				19.08.01.01.00.69
9	1	190835	half shell 20 R12, D8		19.08.01.02.00.69
altern.	1		saddle washer ϕ 12/6x2,5		35.04.16.01.00.10
10	1				40.24.01.04.00.54
altern.			washer DIN 125 - A 6,4		02.61.06.41.41.20
11	1		lens head screw with hexagon socket ISO 7380 - M6x20		01.42.08.54.05.00



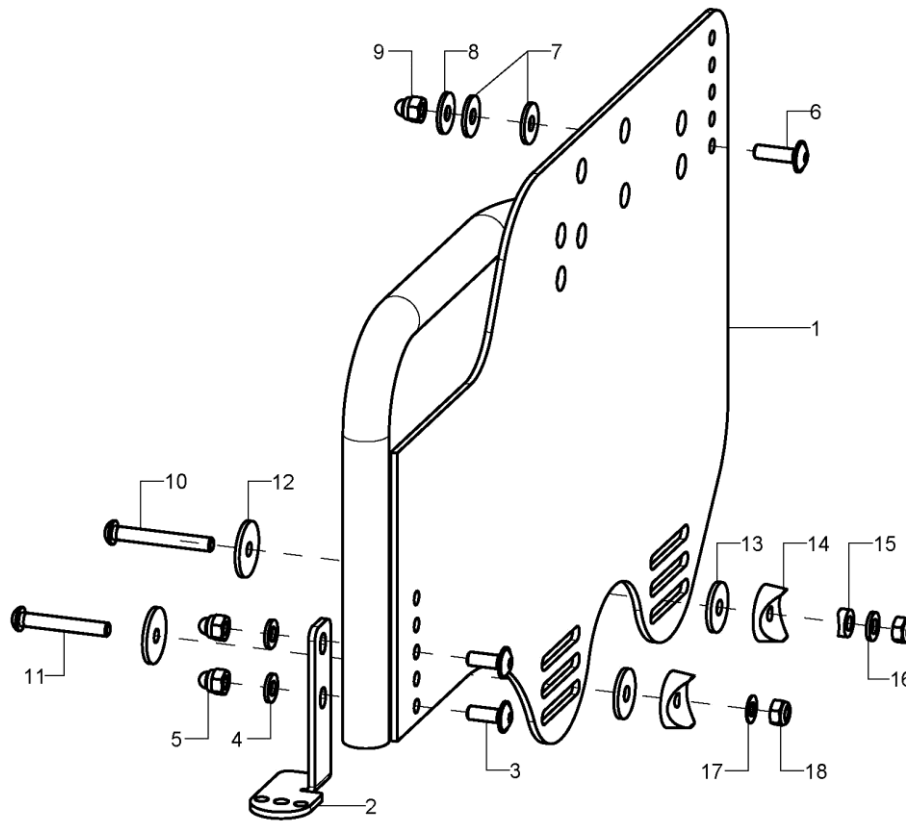
12	2	washer DIN 9021- 6,4- PA	02.79.06.41.60.70
13	1	washer DIN 9021 -6,4	02.79.06.41.60.20

Desk Side guard for back with gas pressure spring



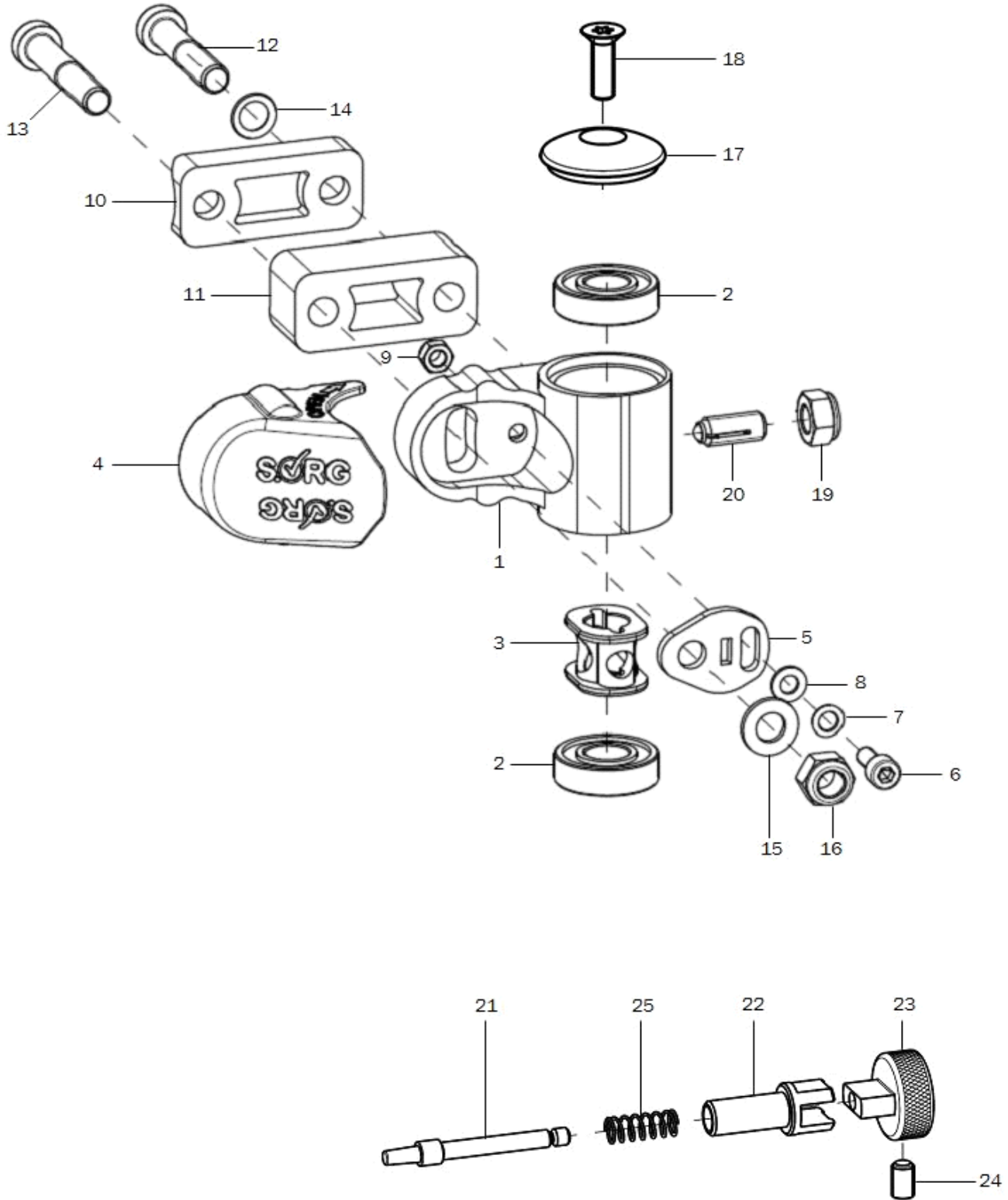
pcs.	Q/1	item no.	Product name:	Variant:	drawing no.
1	1	46100402			46.10.04.01.02.75
o.B.	1	46100401			46.10.04.01.01.75
altern.	1	46100502			46.10.03.01.02.75
o.B.	1	46100501			46.10.03.01.01.75
2-5	1	46100404			46.10.04.03.02.75
o.B.	1	46100403			46.10.04.03.01.75
altern.	1	46100604			46.10.06.01.02.75
o.B.	1	46100603			46.10.06.01.01.75
3	2		lens head screw with hexagon socket M6x16		01.43.08.52.65.00
4	2		washer DIN 125 - A 6,4		02.61.06.41.41.20
5	2		hexagon cap nut low form with clamp DIN 986 - M6		02.33.00.60.11.20
6-18	2	46100499			
6	1		lens head screw with hexagon socket M6x20		01.43.08.54.65.00
7	2		washer DIN 9021- 6,4- PA		02.79.06.41.60.70
8	1		washer DIN 9021 -6,4		02.79.06.41.60.20
9	1		hexagon cap nut low form with clamp DIN 986 - M6		02.33.00.60.11.20
10	1		lens head screw with hexagon socket ISO 7380 - M6x45		01.42.08.61.65.00
11	1		lens head screw with hexagon socket ISO 7380 - M6x40		01.42.08.60.65.00
12	2				40.24.01.04.00.54
13	2		washer DIN 440, 6,6x22x2		02.67.22.03.09.20
14	2		saddle washer black ø 24/8		04.63.39.24.08.30
15	1		saddle washer Ø12/6x2,5		35.04.16.01.00.10
16	1		washer DIN 125 - A 6,4		02.61.06.41.41.20
17	1		fitted washer DIN 988 - 6x12x0,5 - A2		02.68.06.00.50.30
18	2		hexagon nut self-locking low form DIN 985 - M6		02.32.00.60.01.20

Long Side guard for back with gas pressure spring



pcs.	Q/1	item no.	Product name:	Variant:	drawing no.
1	1	46110402			46.11.04.01.02.75
o.B.	1	46110401			46.10.04.01.01.75
altern.	1	46110502			46.11.05.01.02.75
o.B.	1	46110501			46.11.05.01.01.75
2-5	1	46100404			46.10.04.03.02.75
o.B.	1	46100403			46.10.04.03.01.75
altern.	1	46100604			46.10.06.01.02.75
o.B.	1	46100603			46.10.06.01.01.75
3	2		lens head screw with hexagon socket M6x16		01.43.08.52.65.00
4	2		washer DIN 125 - A 6,4		02.61.06.41.41.20
5	2		hexagon cap nut low form with clamp DIN 986 - M6		02.33.00.60.11.20
6-18	2	46100499			
6	1		lens head screw with hexagon socket M6x20		01.43.08.54.65.00
7	2		washer DIN 9021- 6,4- PA		02.79.06.41.60.70
8	1		washer DIN 9021 -6,4		02.79.06.41.60.20
9	1		hexagon cap nut low form with clamp DIN 986 - M6		02.33.00.60.11.20
10	1		lens head screw with hexagon socket ISO 7380 - M6x45		01.42.08.61.65.00
11	1		lens head screw with hexagon socket ISO 7380 - M6x40		01.42.08.60.65.00
12	2				40.24.01.04.00.54
13	2		washer DIN 440, 6,6x22x2		02.67.22.03.09.20
14	2		saddle washer black ø 24/8		04.63.39.24.08.30
15	1		saddle washer Ø12/6x2,5		35.04.16.01.00.10
16	1		washer DIN 125 - A 6,4		02.61.06.41.41.20
17	1		fitted washer DIN 988 - 6x12x0,5 - A2		02.68.06.00.50.30
18	2		hexagon nut self-locking low form DIN 985 - M6		02.32.00.60.01.20

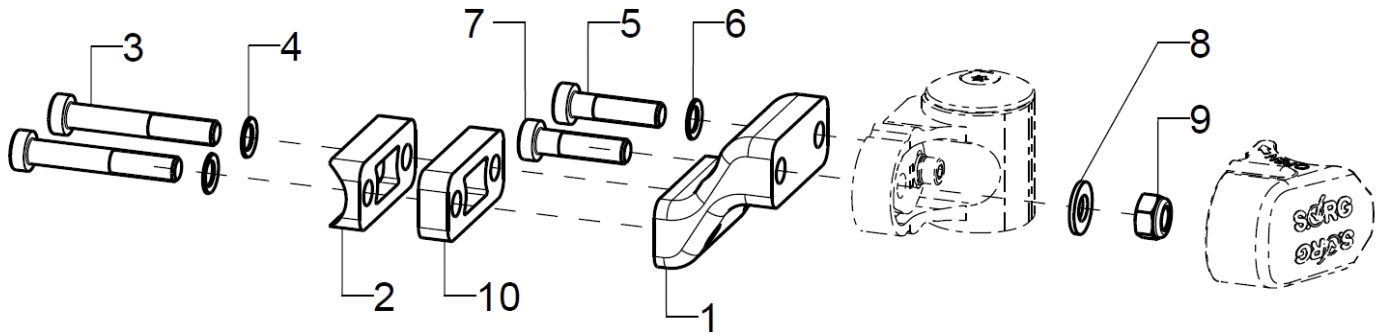
Caster wheel adapter Aluminium



pcs.	Q/1	item no.	Product name:	Variant:	drawing no.
1-9	2	280506	caster adapter track fixation		XXXXXXXXXXXX
altern.	2	280500	steering adapter aluminum complete		28.05.01.00.00.00
1	1	280501	steering adapter aluminum		28.05.01.02.00.00
altern.	1	280501	steering adapter aluminum		28.05.01.02.00.00
2	2	200011	groove ball bearing ø28/12 6001z		04.32.12.08.00.10
3	1	280504	damper element		28.05.01.04.00.00
4	1	280030	cover cap		28.00.10.03.00.10
5	1	280503	eccentric disc		28.05.01.03.00.00
6	1		cylinder screw DIN 912 M5x12		01.22.07.89.72.40
7	1		lock washer S5		02.99.10.50.01.10
8	1		washer DIN 125 - A 5,3		02.61.05.31.01.20
9	1		hexagon nut self-locking low form DIN 985 - M5		02.32.00.50.01.20
10+12-16	2	280510	mounting set caster adapter aluminum		28.05.10.90.01.00
10+12-16	2	280511	mounting set caster adapter aluminum 20mm		28.05.10.90.02.00
10+12-16	2	280512	mounting set caster adapter aluminum 40mm		28.05.10.90.03.00
10	1	280502	half shell LRAD R12		28.05.02.01.00.00
11	1	280513	track extention 20mm		28.05.02.03.00.00
altern.	1	280514	track extention 40mm		28.05.02.04.00.00
12	1		cylinder screw low head DIN 7984 - M8x40		01.24.09.80.62.40
altern.	1		cylinder screw low head DIN 7984 - M8x60		01.24.09.84.02.40
altern.	1		cylinder screw low head DIN 7984 - M8x80		01.24.09.88.62.40
13	1		cylinder screw low head DIN 7984 - M8x45		01.24.09.81.62.40
altern.	1		cylinder screw low head DIN 7984 - M8x65		01.24.09.85.62.40
altern.	1		cylinder screw low head DIN 7984 - M8x85		01.24.09.89.62.40
14	1		lock washer S8		02.99.10.80.01.10
15	1		washer DIN 125 - A 8,4		02.61.08.41.41.20
16	1		hexagon nut self-locking low form DIN 985 - M8		02.32.00.80.01.20
17	1	282107	cap 35x10 black anodized incl. mounting screw		28.21.07.01.00.10
18	1		counter sunk screw with Torx ISO 14581 M6x20 vz, black		01.66.08.54.92.21
20+19	2	285103	spring pressure piece M8 complete		04.14.50.80.21.20
19	1		hexagon nut self-locking low form DIN 985 - M8		02.32.00.80.01.20
21-25	2	285003	track fixation complete		XXXXXXXXXXXX
21	1				28.50.01.01.00.10
22	1				28.50.01.02.00.10
23	1				28.50.01.03.00.10
24	1		setscrew with hexagon socket DIN 913,M5x8		01.67.07.87.61.20
25	1		pressure spring 0,55x5,5x23,7		04.21.05.52.37.10

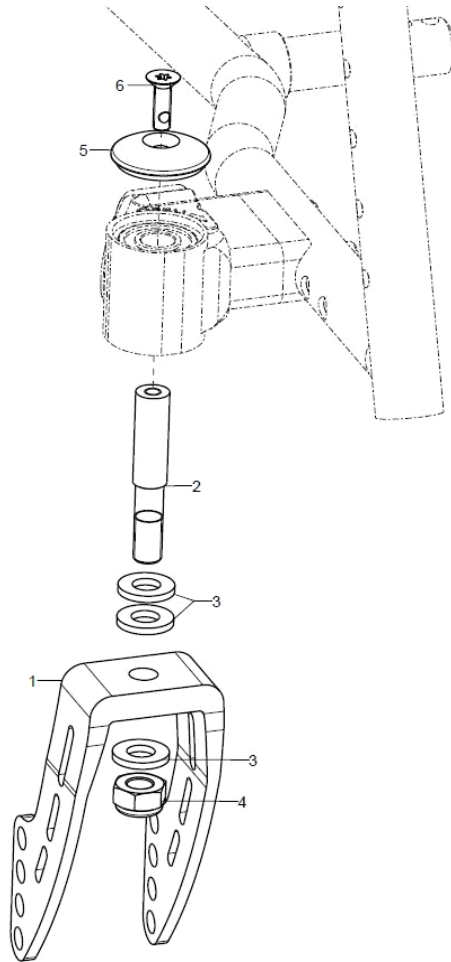
Achtung: Wenn eine Lenk- und Schiebehilfe oder Rückhalteösen am Rollstuhl angebaut sind, bitte bei Bestellungen von Ersatzteilen angeben.

Adapter for low seat heights



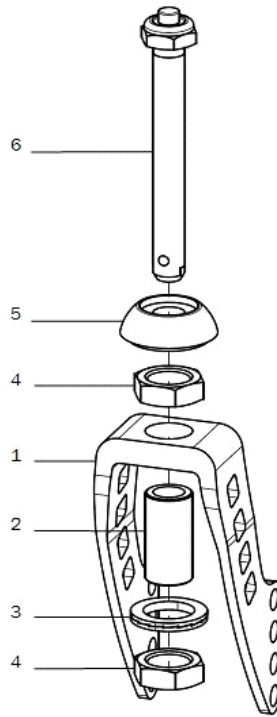
pcs.	Q/1	item no.	Product name:	Variant:	drawing no.
1	2	280525			28.05.03.01.00.00
altern.	2	280526			28.05.03.02.00.00
2-9	2	280527			
2	1	280502	half shell LRAD R12		28.05.02.01.00.00
3	2		cylinder screw low head DIN 7984 - M8x40		01.24.09.80.62.40
altern.	2				01.24.09.82.62.40
4	2		lock washer S8		02.99.10.80.01.10
5	1				01.24.09.78.62.40
6	1		lock washer S8		02.99.10.80.01.10
7	1				01.24.09.79.62.40
8	1		washer DIN 125 - A 8,4		02.61.08.41.41.20
9	1		hexagon nut self-locking low form DIN 985 - M8		02.32.00.80.01.20
10	1	280515			28.05.02.05.00.00
(optional)					

Caster wheel fork



pcs.	Q/1	item no.	Product name:	Variant:	drawing no.
1	2	2841	caster fork aluminum 164x45		28.41.01.00.00.10
o.B.	2	2842	caster fork aluminum 126x45		28.42.01.00.00.10
o.B.	2	2843	caster fork aluminum 100x45		28.43.01.00.00.10
o.B.	2	2845			28.00.02.03.00.00
2	2	282104	steering axle $\varnothing 12 \times 65$, 1		28.21.05.01.00.10
o.B.	2	285101	steering axle 65 for track fixation		28.50.00.03.00.10
o.B.	2	285001	steering axle 65 for locking		28.50.00.01.00.10
3+4	2	282120	mounting set caster axle on caster fork aluminum (washers, hexagon nut)		28.21.20.01.01.00
3	3		washer DIN 1440 -10x20x2,5		02.71.10.02.50.20
4	1		hexagon nut self-locking low form DIN 985 - M10		02.32.01.00.01.20
5-6	2	282107	cap 35x10 black anodized incl. mounting screw		28.21.07.01.00.10
6	2		counter sunk screw with Torx ISO 14581 M6x20 vz, black		01.66.08.54.92.21

Caster wheel fork with quick-release axle

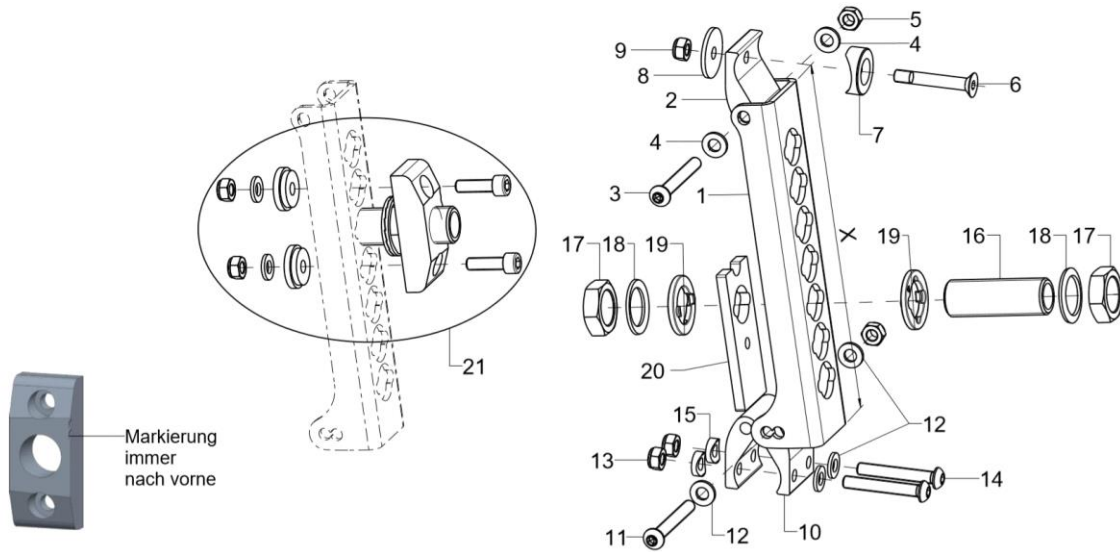


pcs.	Q/1	item no.	Product name:	Variant:	drawing no.
1	2	272114	caster fork 164x45 for quick-release axle		27.21.01.14.00.10
o.B.	2	272113	caster fork 126x45 for quick-release axle		27.21.01.13.00.10
o.B.	2	272112	caster fork 100x45 for quick-release axle		27.21.01.12.00.10
2	2	272102	adapter M18x1 D12 35mm		27.21.01.02.00.10
3-4	2	272104	mounting set adapter		XXXXXXXXXXXX
3	1		lock washer M18 (Nord-Lock)		02.99.21.95.01.10
4	2		hexagon nut M18x1		02.19.01.30.11.21
5	1	272101	cap 27x16,5 alumimum, black anodized		27.21.01.01.00.10
6	1	272103	quick-release axle 12x85		04.51.51.21.40.30

Caster wheels

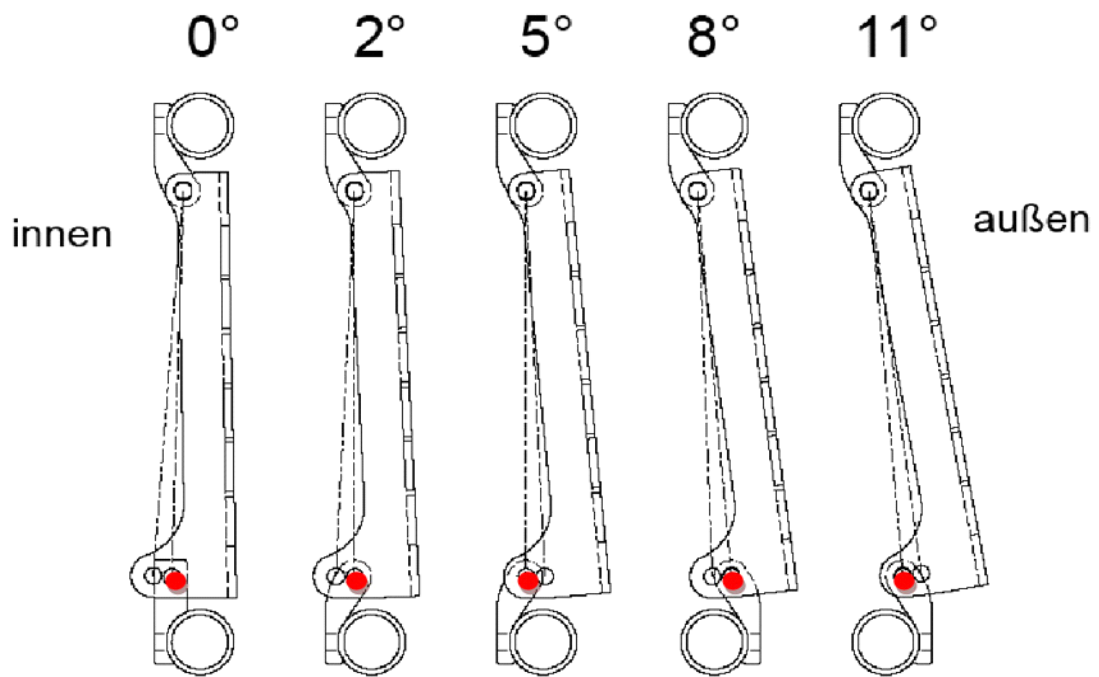
pcs.	Q/1	item no.	Product name:	Variant:	drawing no.
o.B.	2	2812	caster 4", PU		04.52.42.04.00.30
o.B.	2	2804	steering wheel 4 solid rubber		04.52.41.04.00.20
o.B.	2	2820	caster 4" PU with LED		04.52.45.04.00.10
o.B.	2	2835	caster 4" solid rubber black with aluminum rim		04.52.41.04.00.31
o.B.	2	2805	caster 5" PU		04.52.42.05.00.30
o.B.	2	2809	caster 5" soft solid rubber		04.52.44.05.00.10
o.B.	2	2834	caster 5" PU, transparent with LED		04.52.45.05.00.40
o.B.	2	2836	caster 5" solid rubber black with aluminum rim		04.52.41.05.00.61
o.B.	2	2802	caster 5,5" solid rubber		
o.B.	2	2803	caster 6" PU		04.52.42.06.00.30
o.B.	2	2811	caster 6" solid rubber		04.52.41.06.00.30
o.B.	2	2808	caster 6" pneumatic wheels		04.52.43.06.00.11
o.B.	2	2838			04.52.41.06.00.70
o.B.	2	2813	caster 7" solid rubber		04.52.41.07.00.20
o.B.	2	2807	caster 7" pneumatic wheels		04.52.43.07.00.11
o.B.	2	289998			

Axle plate standard

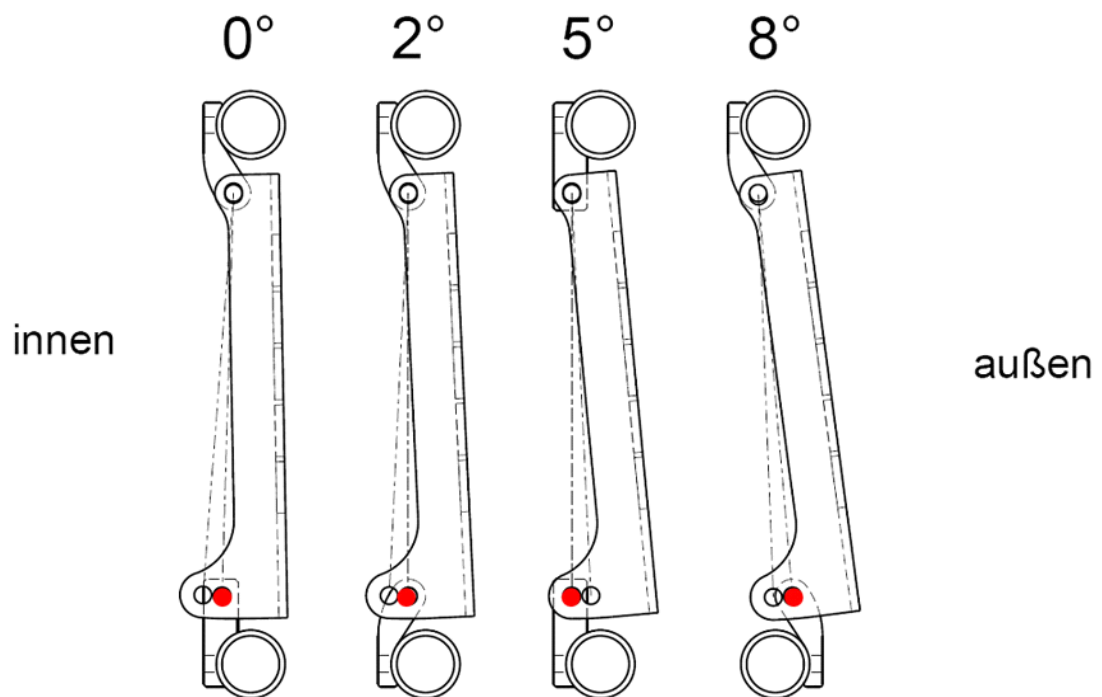


pcs.	Q/1	item no.	Product name:	Variant:	drawing no.
1	2	20150902	axle plate, X = 176,5 mm		20.15.09.11.00.69
2	2	20150903	attachment 1B		20.15.09.12.00.69
3-9	2	20150999	mounting set attachment 1B		XXXXXXXXXXXX
3	1		lens head screw with hexagon socket ISO 7380 - M6x50		01.42.08.62.65.00
4	2		washer DIN 125 - A 6,4		02.61.06.41.41.20
5	1		hexagon nut self-locking low form DIN 985 - M6		02.32.00.60.01.20
6	1		counter sunk screw with hexagon socket DIN 7991 M6x45 / 9+1 - 8.8 vz		01.65.08.61.02.41
7	1				20.15.09.05.00.69
8	1				40.24.01.04.00.54
9	1		hexagon nut self-locking low form DIN 985 - M6		02.32.00.60.01.20
10	2	20150913	attachment 2B		20.15.09.13.00.69
o.B.	2	20150917	attachment for drum brake 2B		20.15.09.17.00.69
11-15	2	20150998	mounting set attachment 2B		XXXXXXXXXXXX
11	1		lens head screw with hexagon socket ISO 7380 - M6x50		01.42.08.62.65.00
12	4		washer DIN 125 - A 6,4		02.61.06.41.41.20
13	3		hexagon nut self-locking low form DIN 985 - M6		02.32.00.60.01.20
14	2		lens head screw with hexagon socket ISO 7380 - M6x40		01.42.08.60.65.00
15	2		saddle washer Ø12/6x2,5		35.04.16.01.00.10
16-20	1	210024	axle adapter M18x1 d12		04.51.61.25.12.03
17	2		hexagon nut M18x1		02.19.01.30.11.21
18	2		lock washer S18		02.99.11.80.01.10
19	2	20150501			20.15.05.01.01.00
o.B.	2	20150502			20.15.05.02.01.00
20	1	20150921	reinforcement axle plate		20.15.09.21.00.69
21	2	20150929	distance block for wheel base extension incl. mounting set		XXXXXXXXXXXX

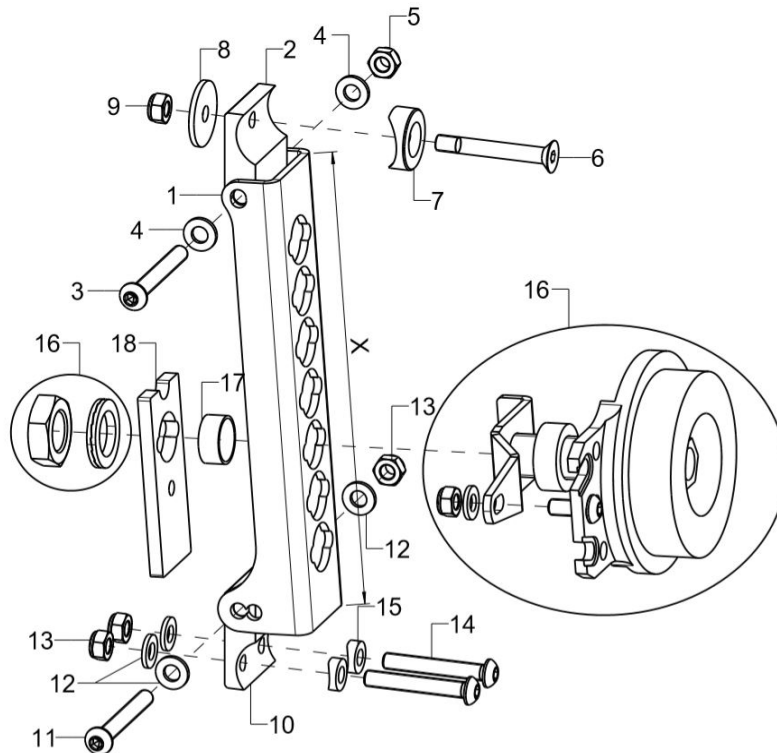
Einstellungen Radsturz bei Standard - Antriebsrädern



Einstellungen Radsturz bei Trommelbremsrädern - Stand: 25.02.14

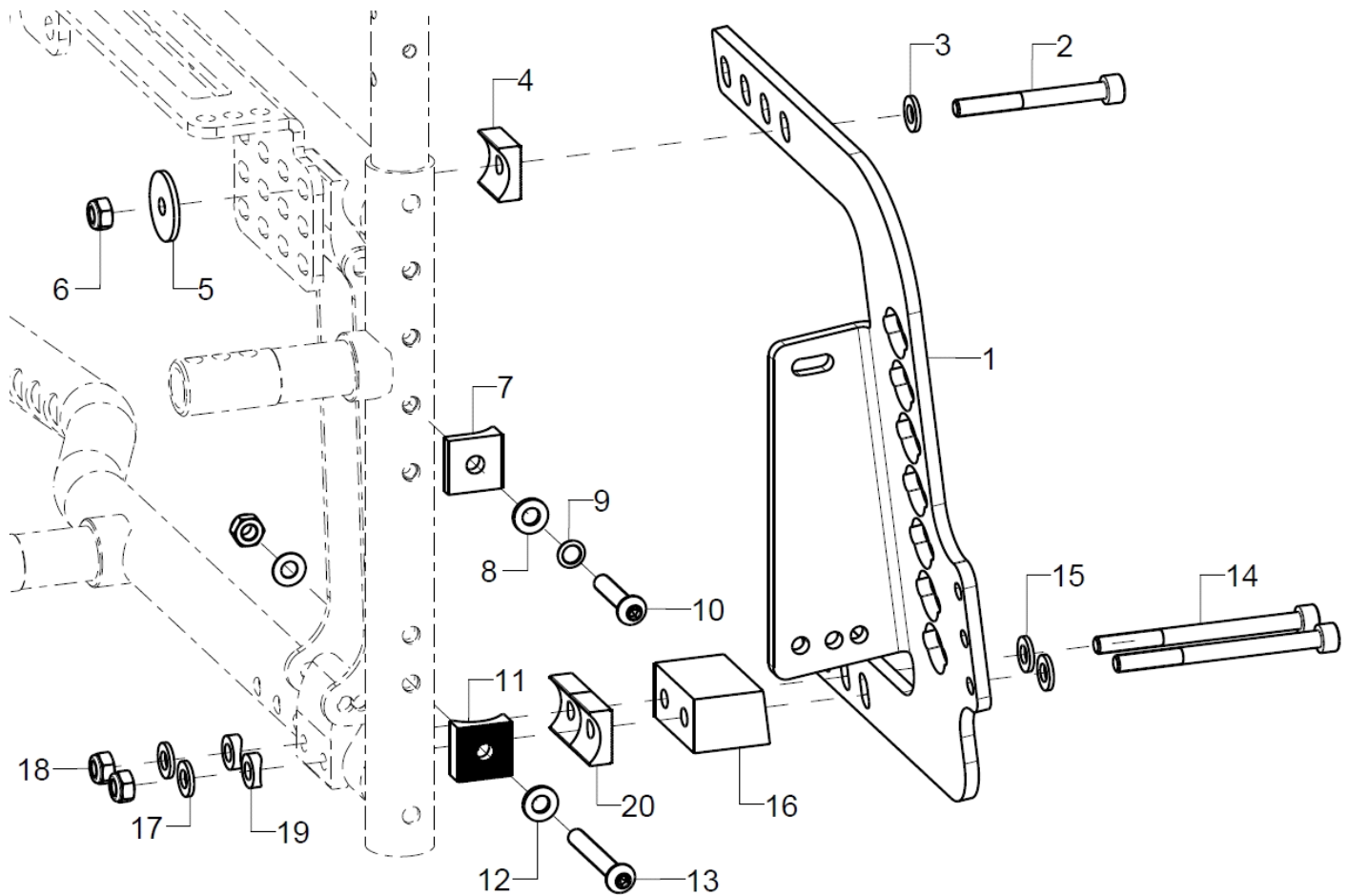


Axle plate drum brake



pcs.	Q/1	item no.	Product name:	Variant:	drawing no.
1	2	20150902	axle plate, X = 176,5 mm		20.15.09.11.00.69
2	2	20150916	attachment for drum brake 1B		20.15.09.06.00.69
o.B.	2	20150903	attachment 1B		20.15.09.12.00.69
3-9	2	20150999	mounting set attachment 1B		XXXXXXXXXXXX
3	1		lens head screw with hexagon socket ISO 7380 - M6x50		01.42.08.62.65.00
4	2		washer DIN 125 - A 6,4		02.61.06.41.41.20
5	1		hexagon nut self-locking low form DIN 985 - M6		02.32.00.60.01.20
6	1		counter sunk screw with hexagon socket DIN 7991 M6x45 / 9+1 - 8.8 vz		01.65.08.61.02.41
7	1				20.15.09.05.00.69
8	1				40.24.01.04.00.54
9	1		hexagon nut self-locking low form DIN 985 - M6		02.32.00.60.01.20
10	2	20150917	attachment for drum brake 2B		20.15.09.17.00.69
o.B.	2	20150913	attachment 2B		20.15.09.13.00.69
11-15	2	20150998	mounting set attachment 2B		XXXXXXXXXXXX
11	1		lens head screw with hexagon socket ISO 7380 - M6x50		01.42.08.62.65.00
12	4		washer DIN 125 - A 6,4		02.61.06.41.41.20
13	3		hexagon nut self-locking low form DIN 985 - M6		02.32.00.60.01.20
14	2		lens head screw with hexagon socket ISO 7380 - M6x40		01.42.08.60.65.00
15	2		saddle washer $\varnothing 12/6 \times 2,5$		35.04.16.01.00.10
16-18	1	220005	drum brake body complete, incl. adapter and counter wrench		22.00.01.99.00.10
o.B.	1	220013	drum brake anchor pre-assembled		
17	2	22001202			22.00.12.04.00.69
18	1	20150921	reinforcement axle plate		20.15.09.21.00.69

Wheel base lengthening



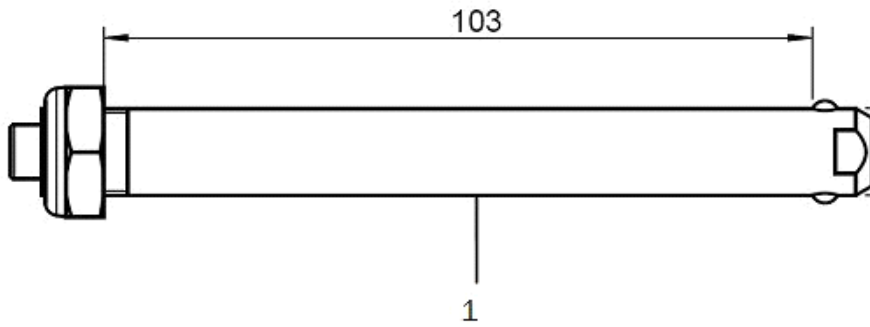
pcs.	Q/1	item no.	Product name:	Variant:	drawing no.
1-20	1P	7601	wheel base extension		76.06.02.01.00.00
1-20	1	76060202			76.06.02.02.02.00
o.B.	1	76060201			76.06.02.02.01.00
altern.	1	76060302			76.06.02.03.02.00
o.B.	1	76060301			76.06.02.03.01.00
2	1				01.22.08.63.62.40
3	1		washer DIN 125 - A 6,4		02.61.06.41.41.20
4	1				76.01.03.01.00.10
5	1				40.24.01.04.00.54
6	1		hexagon nut self-locking low form DIN 985 - M6		02.32.00.60.01.20
7	1	207108	half shell 20x20x8,5		20.71.01.08.00.71
8	1		washer DIN 125 - A 6,4		02.61.06.41.41.20
9	1		lock washer S6		02.99.10.60.01.10
10	1		lens head screw with hexagon socket ISO 7380 - M6x30		01.42.08.58.65.00
11	1				76.01.03.01.00.10
12	1		washer DIN 125 - A 6,4		02.61.06.41.41.20
13	1		lens head screw with hexagon socket ISO 7380 - M6x45		01.42.08.61.65.00
14	2				01.22.08.61.62.40
altern.	2				01.22.08.66.02.40
altern.	2				01.22.08.67.02.40
15	2		washer DIN 125 - A 6,4		02.61.06.41.41.20
16-20	1	76060103			76.06.02.04.01.00
altern.	1	76060104			76.06.02.04.02.00

17	2	washer DIN 125 - A 6,4	02.61.06.41.41.20
18	2	hexagon nut self-locking low form DIN 985 - M6	02.32.00.60.01.20
19	2	saddle washer $\varnothing 12/6 \times 2,5$	35.04.16.01.00.10
20	2		76.01.03.01.00.10

Achtung:

Bei dem Anbau der Radstandsverlängerung ist auch der Anbau der Bremsschiene für die Radstandsverlängerung erforderlich. Siehe Baugruppe Rahmen.

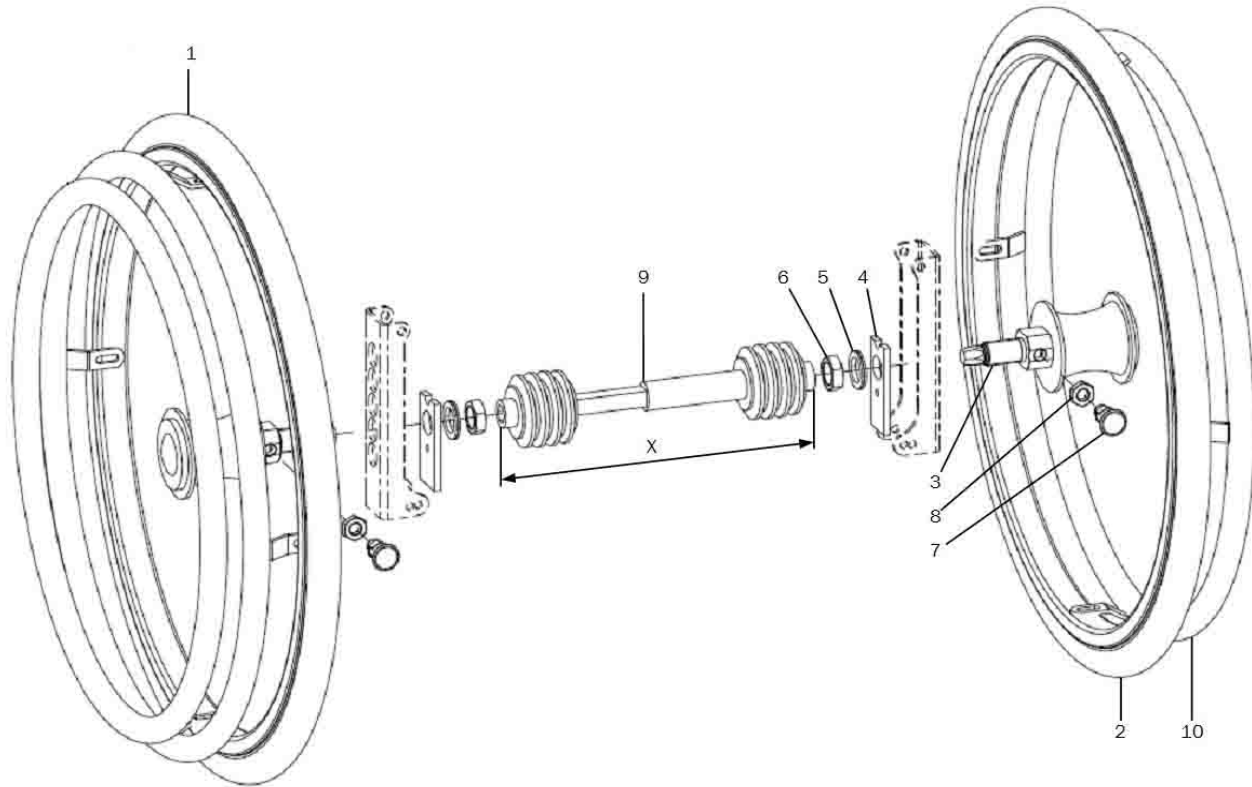
Rear wheels



pcs.	Q/1	item no.	Product name:	Variant:	drawing no.
o.B.	2	212200	22" driving wheel with standard hub		
o.B.	2	212400	24" driving wheel standard hub		
o.B.	2	222600			
o.B.	2	222200	22" driving wheel with drum brake		
o.B.	2	222400	24" driving wheel standard with drum brake		
o.B.	2	212240	22" profile wheel with built-in hand rim, standard hub		
o.B.	2	212440	24" profile wheel with built-in hand rim, standard hub		
o.B.	2	222240	22" profile wheel with built-in hand rim with drum brake		
o.B.	2	222440	24" profile wheel with built-in hand rim with drum brake		
o.B.	2	222640			
o.B.	2	212277	22" lightweight wheel with hand rim, standard		
o.B.	2	212477	24" lightweight wheel with hand rim, standard		
o.B.	2	212281	22" lightweight wheel with drum brake, black		
o.B.	2	212481	24" lightweight wheel with drum brake, black		
1	2	220001	quick-release axle D12x123mm for drum brake		04.51.51.21.20.30
o.B.	2	210003	quick-release axle 12,7x103 mm for standard hub from 5/2013 and light weight wheel		04.51.51.21.00.31
o.B.	2	200011	groove ball bearing ϕ 28/12 6001z		04.32.12.08.00.10

Double handrims standard

Only possible from SW24

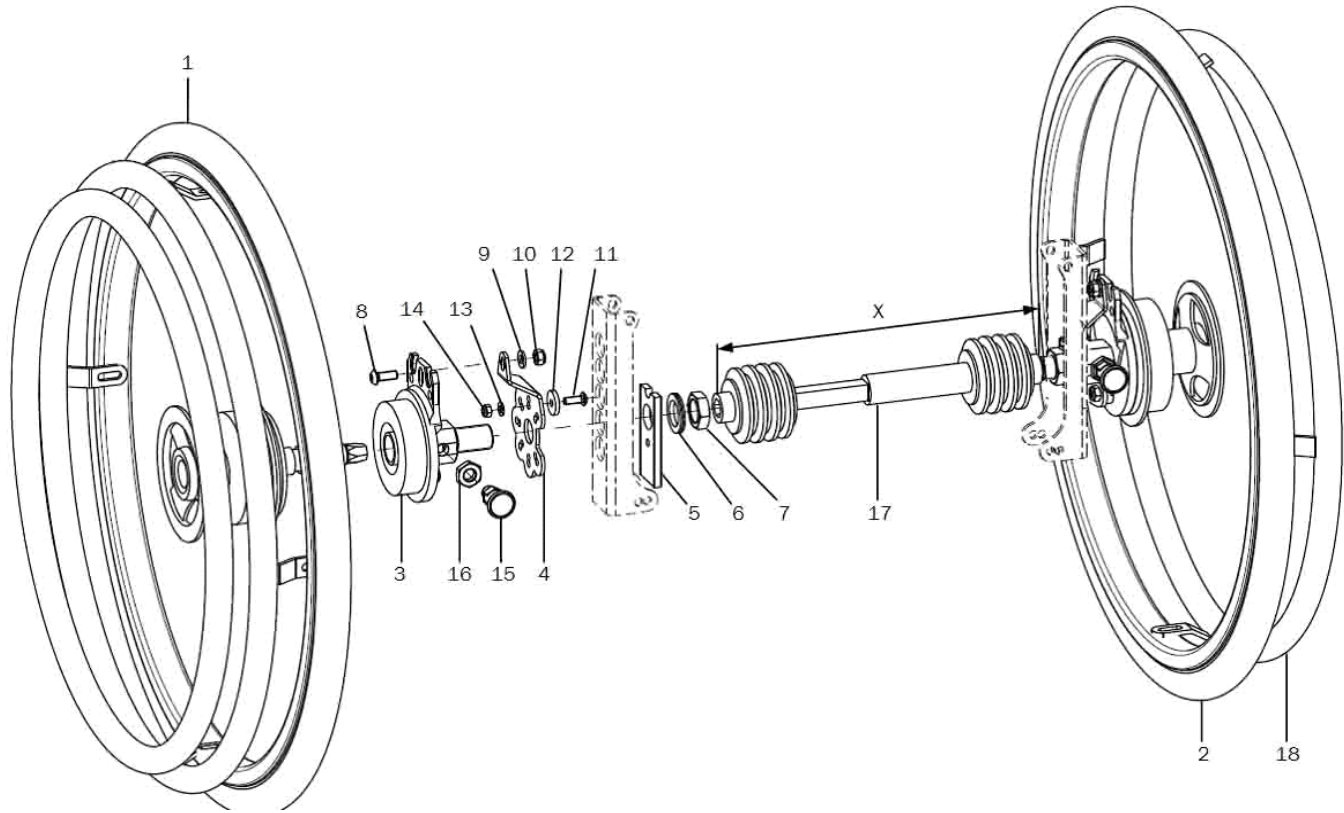


pcs.	Q/1	item no.	Product name:	Variant:	drawing no.
1-9	1	261403	double handrim 22" standard hub incl. drag anchor, brake arm and telescope rod		XXXXXXXXXX
o.B.	1	261405	double handrim 24" standard hub incl. drag anchor, brake arm and telescope rod		XXXXXXXXXX
1+3-9	1	261442	22" double handrim driving wheel standard hub, driving side		XXXXXXXXXX
o.B.	1	261444	24" double handrim driving wheel standard hub, driving side		XXXXXXXXXX
2-8	1	261443	22" double handrim driving wheel standard hub, opposite side		XXXXXXXXXX
o.B.	1	261445	24" double handrim driving wheel standard hub, opposite side		XXXXXXXXXX
3-8	1	261429	mounting set DHR drum brake 3-8		XXXXXXXXXX
3	1				
4	1	20150921	reinforcement axle plate		20.15.09.21.00.69
5	1		lock washer M18 (Nord-Lock)		02.99.21.95.01.10
6	1		hexagon nut M18x1		02.19.01.30.11.21
7	1				04.14.34.50.01.00
8	1		hexagon nut DIN 934 - M10		02.19.01.00.01.20
9	1	26140003			26.14.10.01.03.00
o.B.	1	26140004			26.14.10.01.04.00
o.B.	1	26140005			26.14.10.01.05.00
o.B.	1	26140006			26.14.10.01.06.00
o.B.	1	26140007			26.14.10.01.07.00
10	1	261431	hand rim for other side 22"		XXXXXXXXXX
o.B.	1	261432	hand rim for other side 24"		XXXXXXXXXX



Double handrims drum brake

Only possible from SW24



pcs.	Q/1	item no.	Product name:	Variant:	drawing no.
1-17	1	261404	double handrim 22" drum brake hub incl. drag anchor, brake arm and telescope rod		XXXXXXXXXX
o.B.	1	261406	double handrim 24" drum brake hub incl. drag anchor, brake arm and telescope rod		XXXXXXXXXX
1	1	261452	22" double handrim driving wheel drum brake hub, driving side		XXXXXXXXXX
o.B.	1	261454	24" double handrim driving wheel drum brake hub, driving side		XXXXXXXXXX
2	1	261453	22" double handrim driving wheel drum brake hub, opposite side		XXXXXXXXXX
o.B.	1	261455	24" double handrim driving wheel drum brake hub, opposite side		XXXXXXXXXX
3-16	1	261428	mounting set DHR drum brake		XXXXXXXXXX
3	1				
4	1				22.00.12.01.00.10
5	1	20150921	reinforcement axle plate		20.15.09.21.00.69
6	1		lock washer M18 (Nord-Lock)		02.99.21.95.01.10
7	1		hexagon nut M18x1		02.19.01.30.11.21
8	1		lens head screw with hexagon socket ISO 7380 - M6x16		01.42.08.52.65.00
9	1		washer DIN 125 - A 6,4		02.61.06.41.41.20
10	1		hexagon nut self-locking low form DIN 985 - M6		02.32.00.60.01.20
11	1		lens head screw with hexogon socket ISO 7380 - M5x14		01.42.07.90.65.00
12	1				22.00.12.02.00.10
13	1		washer DIN 125 - A 5,3		02.61.05.31.01.20
14	1		hexagon nut self-locking low form DIN 985 - M5		02.32.00.50.01.20
15	1				04.14.34.50.01.00
16	1		hexagon nut DIN 934 - M10		02.19.01.00.01.20



17	1	26140003		26.14.10.01.03.00
o.B.	1	26140004		26.14.10.01.04.00
o.B.	1	26140005		26.14.10.01.05.00
o.B.	1	26140006		26.14.10.01.06.00
o.B.	1	26140007		26.14.10.01.07.00
18	1	261431	hand rim for other side 22"	XXXXXXXXXX
o.B.	1	261432	hand rim for other side 24"	XXXXXXXXXX

Telescopic rod

pcs.	Q/1	item no.	Product name:	Variant:	drawing no.
o.B.	1	261410	telescope rod 170 - 195 mm		
o.B.	1	261412	telescope rod 195 - 235 mm		
o.B.	1	261413	telescope rod 220 - 275 mm		
o.B.	1	261414	telescope rod 255 - 315 mm		
o.B.	1	261415	telescope rod 295 - 370 mm		
o.B.	1	261416	telescope rod 350 - 460 mm		

Tyres

pcs.	Q/1	item no.	Product name:	Variant:	drawing no.
o.B.	2	202216			
o.B.	2	202416			
o.B.	2	202613			
o.B.	2	202212	tire for pneumatic tube 22x1" Marathon plus, black		
o.B.	2	202412	tire for pneumatic tube 24x1" Marathon plus, black		04.61.12.41.20.21
o.B.	2	202612			
o.B.	2	202221	tire for pneumatic tube 22x1 3/8" grey		04.61.12.20.30.10
o.B.	2	202421	tire for pneumatic tube 24x1 3/8" grey		04.61.12.40.30.10
o.B.	2	200522	tube 22"		
o.B.	2	200524	tube 24"		
o.B.	2	232213			
o.B.	2	232413			
o.B.	2	232214			
o.B.	2	232414			
o.B.	2	232212			04.61.22.20.10.11
o.B.	2	232412			04.61.22.40.10.11

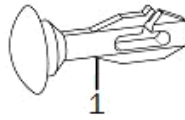
Handrims

pcs.	Q/1	item no.	Product name:	Variant:	drawing no.
o.B.	2	302201	handrim 22" standard, stainless steel polished		
o.B.	2	302301	handrim 22" high, stainless steel polished		
o.B.	2	302401	handrim 24" standard, stainless steel polished		
o.B.	2	302501	handrim 24" high, stainless steel polished		
o.B.	2	302601			
o.B.	2	302701			
o.B.	2	3422	Maxgrepp-handrim 22", 4 loops complete		
o.B.	2	3424	Maxgrepp-handrim 24", 4 loops complete		
o.B.	2	3122	hand rim, stainless steel 22", 8 knobs		
o.B.	2	3124	hand rim, stainless steel 24", 8 knobs		
o.B.	2	312611			
o.B.	2	3322	hand rim aluminium, 22", black, pvc coating		
o.B.	2	3324	hand rim aluminium, 24", black, pvc coating		
o.B.	2	3326			
o.B.	2	342424			
o.B.	2	302278			
o.B.	2	302478			

Handrim covers

pcs.	Q/1	item no.	Product name:	Variant:	drawing no.
o.B.	2	322002	handrim cover silicone black ø442		04.67.06.20.00.40
o.B.	2	322202	handrim cover silicone black ø478		04.67.06.22.00.30
o.B.	2	322205	handrim cover silicone black ø453		04.67.06.22.00.20
o.B.	2	322208	handrim cover silicone black ø388		04.67.06.22.00.10
o.B.	2	322402	handrim cover silicone black ø532		04.67.06.24.00.30
o.B.	2	322404	handrim cover silicone black ø504		04.67.06.24.00.10
o.B.	2	322405	handrim cover silicone black ø514		04.67.06.24.00.20
o.B.	2	322603	handrim cover silicone black ø565		04.67.06.24.00.40
o.B.	2	322602			04.67.06.26.00.10
o.B.	2	322201	handrim cover profile wheel, Ergo 22"		
o.B.	2	322401	handrim cover profile wheel, Ergo 24"		
o.B.	2	322601			

Spoke guards



pcs.	Q/1	item no.	Product name:	Variant:	drawing no.
1	1	250001	clip for transparent spoke cover		25.00.99.01.00.10
o.B.	2	252200	spoke cover 22", Unicolor transparent		
o.B.	2	252400	spoke cover 24", Unicolor transparent		

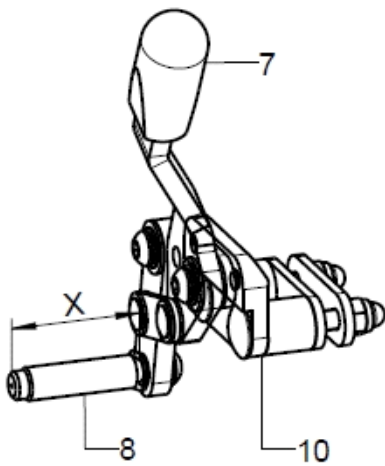
Design-Dekor-Speichenschützer können Sie unter den folgenden Internetadressen wählen:

www.speichen-schutz.de
www.wheelchairgadgets.com

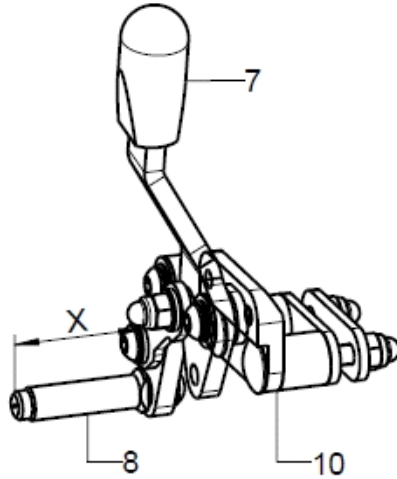
Knee lever brake

Please select the required mounting variant for each brake variant.

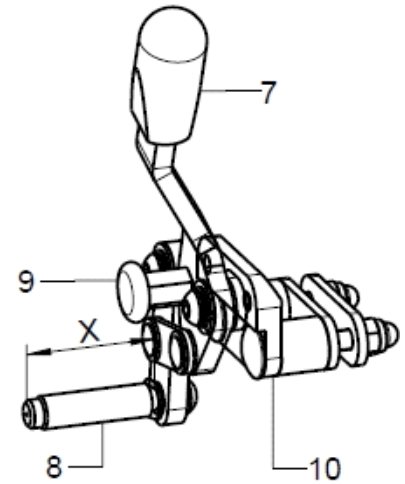
Bremsenvarianten



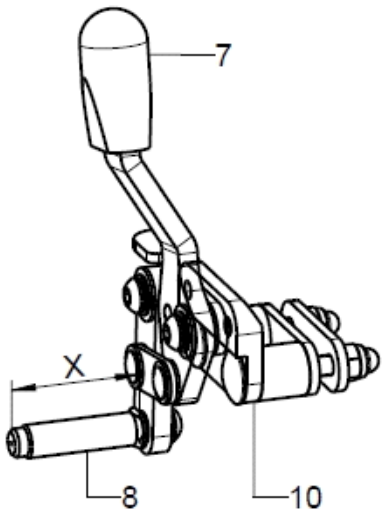
1
KHB Standard



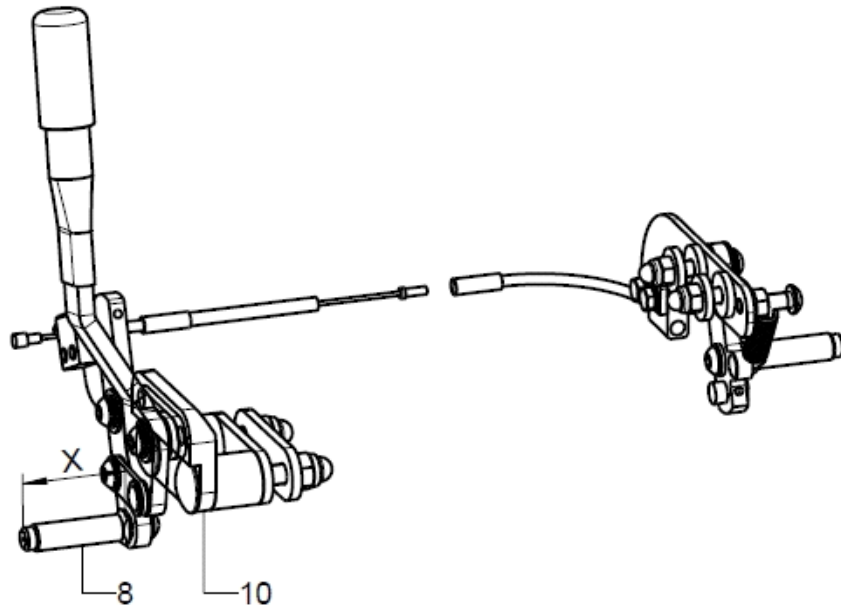
2
KHB Pull to Lock



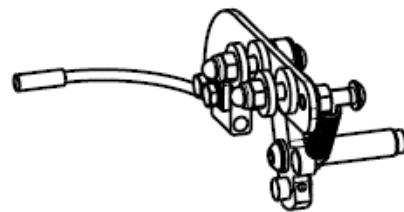
3
KHB verriegelbar



4
KHB mit reduziertem
Hebelweg



5
Einhandbremse Bedienseite

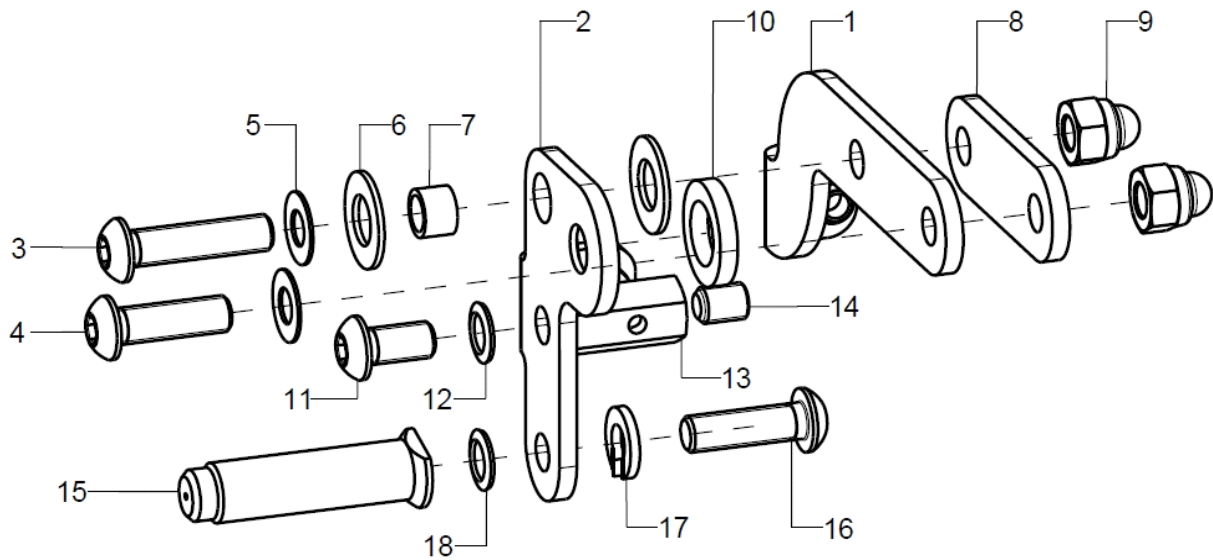


6
Einhandbremse
Nicht-Bedienseite



pcs.	Q/1	item no.	Product name:	Variant:	drawing no.
o.B.	1	357501			
o.B.	1	357502			
o.B.	1	357503			
o.B.	1	357504			
1+7+8 +10	1	352502	knee lever brake standard right complete		XXXXXXXXXXXXX
o.B.	1	352501	knee lever brake standard left complete		XXXXXXXXXXXXX
2+7+8 +10	1	352902	knee lever brake pull-to-lock right complete		XXXXXXXXXXXXX
o.B.	1	352901	knee lever brake pull-to-lock left complete		XXXXXXXXXXXXX
3+7-10	1	351302	knee lever brake lockable complete right		XXXXXXXXXXXXX
o.B.	1	351301	knee lever brake lockable complete left		XXXXXXXXXXXXX
4+7+8 +10	1	353402			
o.B.	1	353401			
5+6+8 +10	1	350902	one-hand brake right, complete user side + non-operating side		XXXXXXXXXXXXX
o.B.	1	350901	one-hand brake left, complete user side + non-operating side		XXXXXXXXXXXXX
5+8+1 0	1	350904	one-hand brake, operating side right		XXXXXXXXXXXXX
o.B.	1	350903	one-hand brake, operating side left		XXXXXXXXXXXXX
6+8	1	350912	one-hand brake non-operating side complete		XXXXXXXXXXXXX
7	2	350017	cap black 15x6,8		35.00.17.01.00.10
8	1	352518	brake bolt 40 mm left-hand thread incl. mounting set		35.25.01.18.00.10
o.B.	1	352506	brake bolt milled 40 mm incl. mounting set		35.25.01.15.00.10
o.B.	1	352519	brake bolt 50 mm left-hand thread incl. mounting set		35.25.01.19.00.10
o.B.	1	352507	brake bolt milled 50 mm incl. mounting set		35.25.01.16.00.10
o.B.	1	352520			35.25.01.20.00.10
o.B.	1	352510	bracket 34, Bd 16x3x50 lockable		35.25.01.17.00.10
9	1	350530			04.14.43.30.02.01
10	2	35250301			35.25.03.01.00.75

Bowden cable brake pressure piece

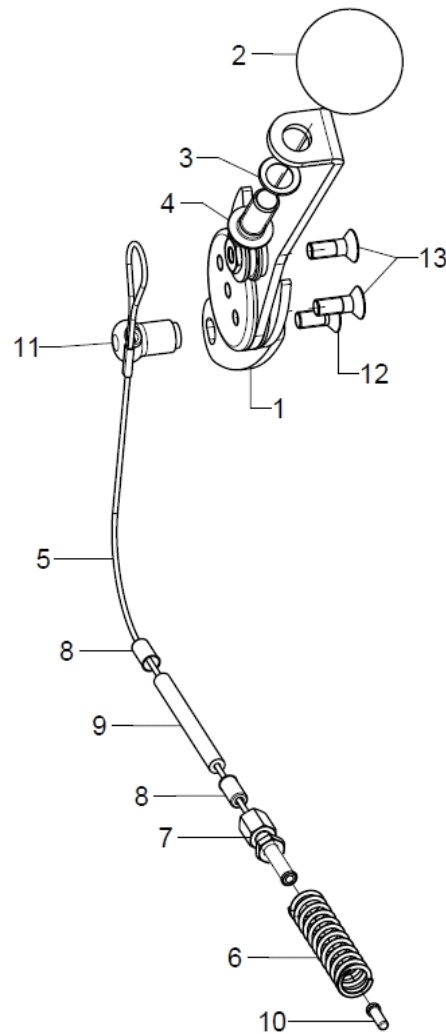


pcs.	Q/1	item no.	Product name:	Variant:	drawing no.
1-18	1	3531	cable brake complete		XXXXXXXXXXXX
1-14	1	353116			
o.B.	1	353115			
1	1	35310205	base part right		35.31.02.04.02.69
o.B.	1	35310204	base part left		35.31.02.04.01.69
2	1	35310202	pressing part right		35.31.02.01.02.69
o.B.	1	35310201	pressing part left		35.31.02.01.01.69
3-14	2	353199	mounting set for cable brake		XXXXXXXXXXXX
3	1		lens head screw with hexagon socket ISO 7380 - M6x25		01.42.08.56.65.00
o.B.	1				01.42.08.59.62.60
o.B.	1		lens head screw with hexagon socket ISO 7380 - M6x40		01.42.08.60.65.00
o.B.	1		lens head screw with hexagon socket ISO 7380 - M6x50		01.42.08.62.65.00
4	1		lens head screw with hexagon socket ISO 7380 - M6x20		01.42.08.54.05.00
o.B.	1		lens head screw with hexagon socket ISO 7380 - M6x30		01.42.08.58.65.00
o.B.	1				01.42.08.59.62.60
o.B.	1		lens head screw with hexagon socket ISO 7380 - M6x45		01.42.08.61.65.00
o.B.	1	352505	bracket 34 Bd 16x3x50		35.25.01.07.00.18
o.B.	2	35310209			45.31.01.03.00.72
o.B.	2	35310207			35.31.02.07.00.69
o.B.	2	35310208			35.31.02.08.00.69
5	2		fitted washer DIN 988 - 6x12x0,5 - A2		02.68.06.00.50.30
6	2		fender disc 8,4x16x1 PE		02.81.16.00.10.70
7	1				35.31.02.03.00.69
8	2	352505	bracket 34 Bd 16x3x50		35.25.01.07.00.18
o.B.	2		washer DIN 9021 -6,4		02.79.06.41.60.20
9	2		hexagon cap nut low form with clamp DIN 986 - M6		02.33.00.60.11.20
10	1				19.06.02.07.00.24
11	1		lens head screw with hexagon socket ISO 7380 - M6x12		01.42.08.49.65.00
12	1		lock washer S6		02.99.10.60.01.10
13	1				35.31.02.06.00.69
14	1		setscrew with hexagon socket DIN 913, M6x8		01.67.08.47.61.20
15-18	1	352518	brake bolt 40 mm left-hand thread incl. mounting set		35.25.01.18.00.10



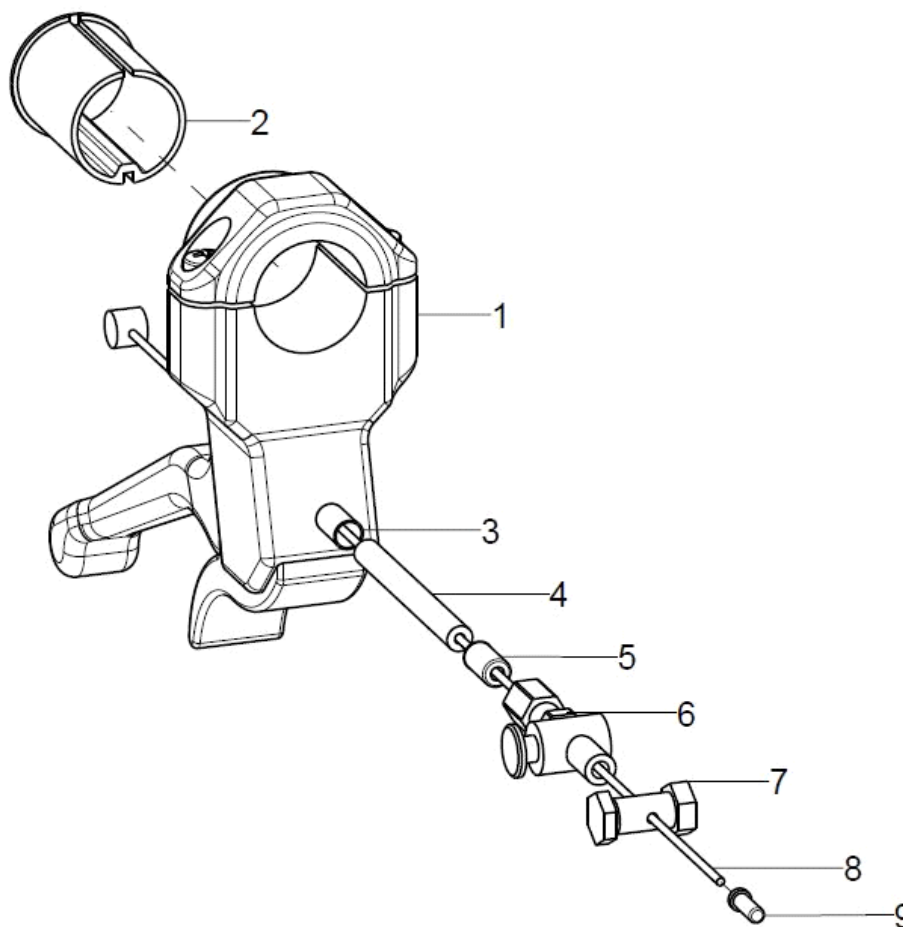
o.B.	1	352506	brake bolt milled 40 mm incl. mounting set	35.25.01.15.00.10
15-18	1	352519	brake bolt 50 mm left-hand thread incl. mounting set	35.25.01.19.00.10
o.B.	1	352507	brake bolt milled 50 mm incl. mounting set	35.25.01.16.00.10
15-18	1	352520		35.25.01.20.00.10
o.B.	1	352510	bracket 34, Bd 16x3x50 lockable	35.25.01.17.00.10
16	1		lens head screw with hexagon socket ISO 7380 , M6x20 left-hand thread	01.42.08.54.05.01
o.B.	1		lens head screw with hexagon socket ISO 7380 - M6x20	01.42.08.54.05.00
17	1		spring ring DIN 127- A6	02.85.30.60.05.10
18	1		lock washer S6	02.99.10.60.01.10

Bowden cable brake control/non-control sides



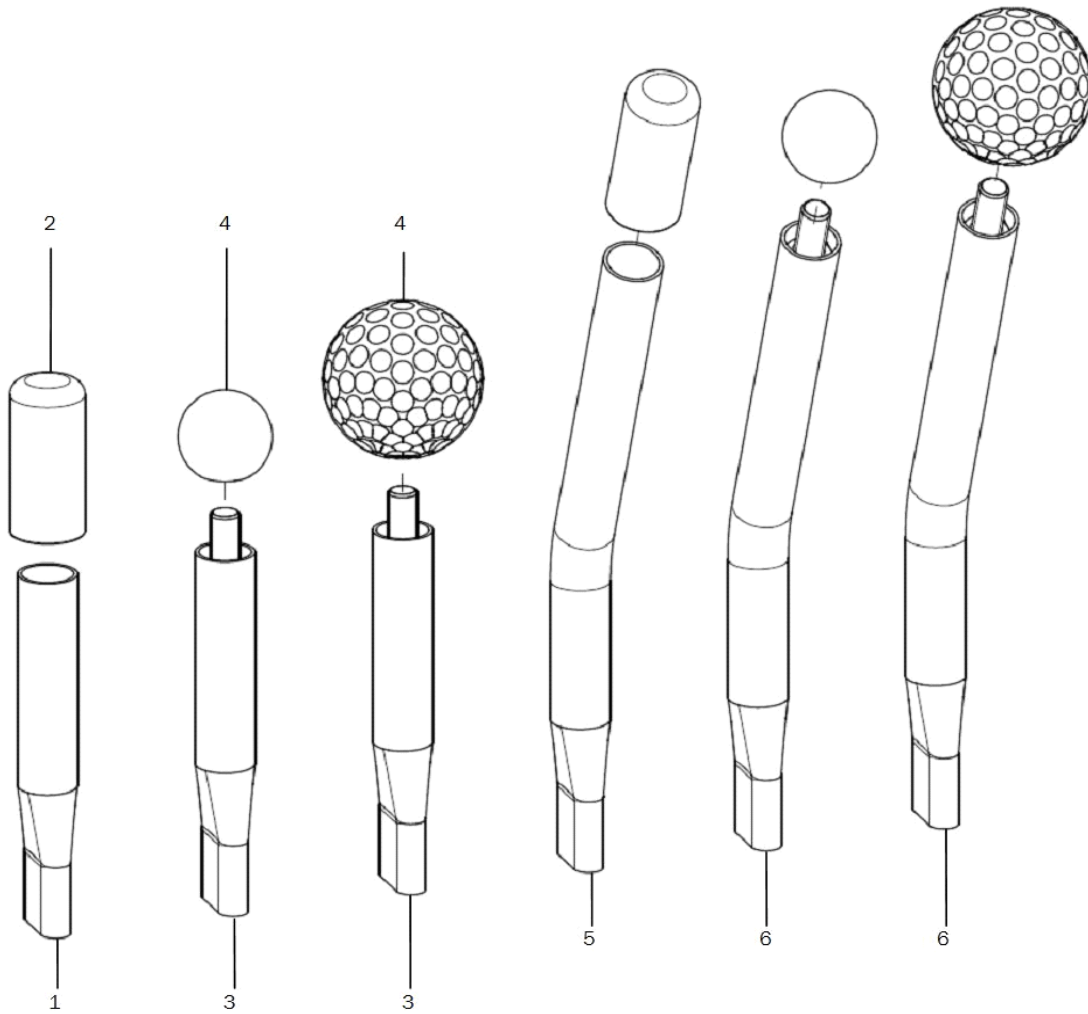
pcs.	Q/1	item no.	Product name:	Variant:	drawing no.
1-13	2	353103	user operating unit complete+ cable brake complete		XXXXXXXXXXXX
1-4+11+12	1	353111	operating unit cable brake Jump/Vector pre-mounted right		35.31.19.99.02.69
o.B.	1	353112	operating unit cable brake Jump/Vector pre-mounted left		35.31.19.99.01.74
2-4	1	35310109	ball knob ø32/M8, form C, incl. mounting set		04.06.13.20.80.50
3	1		lock washer S8		02.99.10.80.01.10
4	1		lens head screw with hexagon socket ISO 7380 - M8x20		01.42.09.74.65.00
5-10+13	2	353105	cable brake user operating unit complete		XXXXXXXXXXXX
5	1	35310301	bowden cable with loop 90 cm		35.31.03.01.00.69
6	1	352405	press spring 1,1x9,4x44x3		04.21.09.40.44.00
7	1	352406	setting screw for Bowden cable M5x34 mm		04.54.01.40.50.21
8	2	352412	end bush metal ø5		04.54.91.50.10.41
9	1	35310303	outer cover for Bowden cable black, 38 cm long		04.54.91.21.53.00
10	1	352005	end cap for inner Bowden cable ø1-1,5 mm		04.54.91.50.10.40
11	1				35.31.03.03.00.69
12	1		counter sunk screw with hexagon socket DIN 7991 M5x12		01.65.07.89.05.00
13	2		counter sunk screw with hexagon socket DIN 7991 M5x14		01.65.07.90.05.00

Brake lever for drum brake



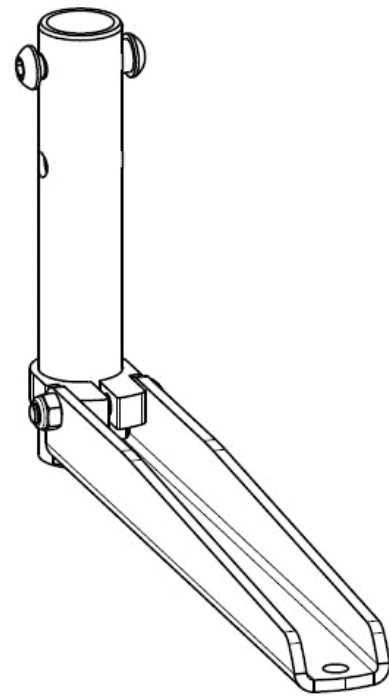
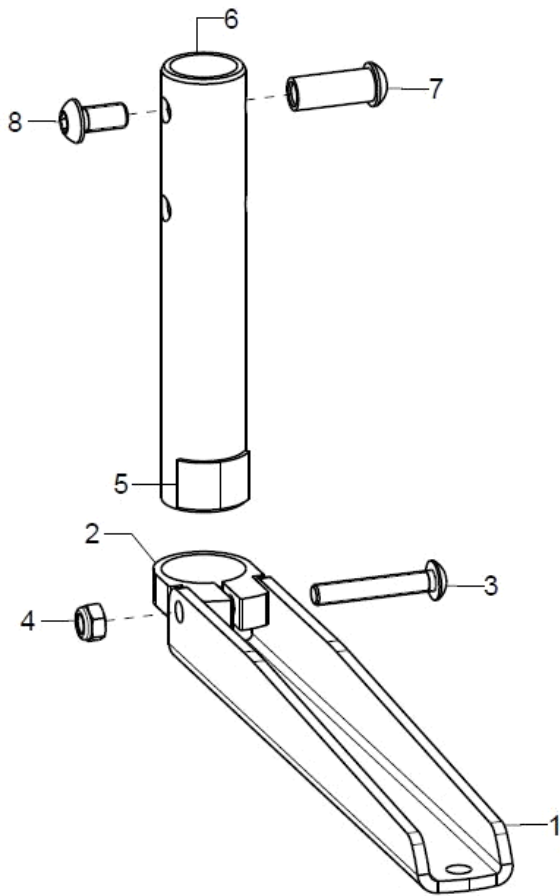
pcs.	Q/1	item no.	Product name:	Variant:	drawing no.
1-9	2	352016	hand brake lever complete		XXXXXXXXXXXX
1+2	1	352010	hand brake lever for attendant brake incl. mounting set		04.54.92.22.20.10
2	1	352011			35.20.11.01.00.28
3-9	2	352006			35.20.06.99.00.10
3	1				04.54.91.50.11.21
4	1		outer shell for Bowden cable black 150mm		04.54.91.21.53.00
5	1		end bush metal ø5		04.54.91.50.10.41
6	1		set screw for Bowden cable M6x40 mm		04.54.01.40.60.20
7	1		clamp screw for bowden cable		04.54.11.30.00.20
8	1		inner Bowden cable 1,5x2250		04.54.91.11.52.20
9	1		end cap for inner Bowden cable ø1-1,5 mm		04.54.91.50.10.40

Brake lever extensions



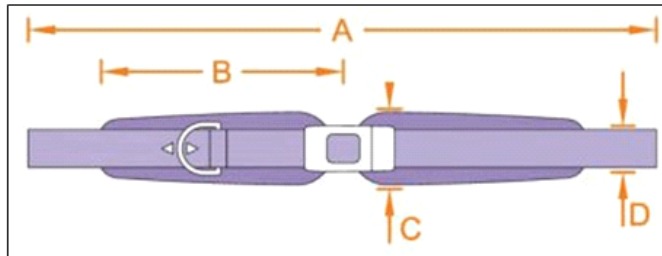
pcs.	Q/1	item no.	Product name:	Variant:	drawing no.
1-2	2	3510	brake lever extension with cap		35.01.03.02.00.10
2	2	351011	PVC cap one-hand brake		04.63.00.16.40.40
3-4	2	3512	brake lever extension 100 for ball knob		35.14.03.01.00.30
4	2	351016	ball knob		04.06.12.50.80.40
altern.	2	351211	golf ball		04.06.14.20.80.00
5+2	2	3515	brake lever extension 23° with cap		35.15.03.01.00.10
6+4	2	3516	brake lever extension 23° for ball knob		35.16.03.01.00.10

Caddy



pcs.	Q/1	item no.	Product name:	Variant:	drawing no.
1-8	2	910112	baggage holder for leg support addition, inner mounting complete		XXXXXXXXXXXX
1-5	2	910110	baggage holder for leg support addition, outer mounting complete		XXXXXXXXXXXX
1	1	910101	attachment for baggage holder		91.01.01.01.00.74
2	1	910102	clamp ø29mm		91.01.01.02.00.74
3	1		lens head screw with hexagon socket ISO 7380 - M5x30		01.42.07.98.65.00
4	1		hexagon nut self-locking low form DIN 985 - M5		02.32.00.50.01.20
5	1		Velcro strap 20 mm, black		00.42.60.02.50.10
6-8	1	910103	rod adapter incl mounting set		91.01.01.03.00.74
7	1				40.39.01.05.50.69
8	2		lens head screw with hexagon socket ISO 7380 - M6x10		01.42.08.48.65.00

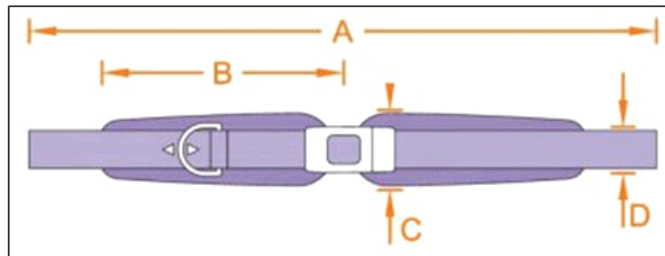
2-point Hip belt with Velcro and synthetic lock



Größe	A	B	C	D
1	148	14	5	2,5
2	156	17	6	2,5
3	166	22	7	2,5

pcs.	Q/1	item no.	Product name:	Variant:	drawing no.
1	1	78050201			04.56.91.05.01.00
o.B.	1	78050202			04.56.91.05.02.00
o.B.	1	78050203			04.56.91.05.03.00
o.B.	1	780106			78.01.06.01.00.00
o.B.	1	780107			78.01.06.02.01.00

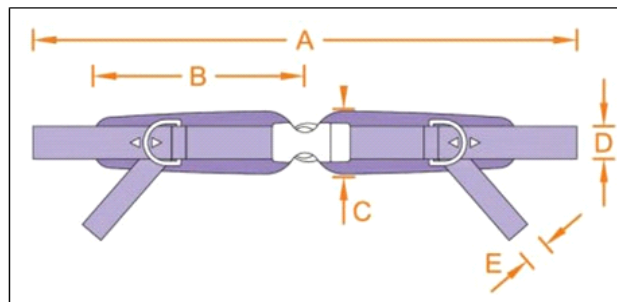
2-point Hip belt with metal lock



Größe	A	B	C	D
1	148	14	5	2,5
2	156	17	6	2,5
3	166	22	7	2,5

pcs.	Q/1	item no.	Product name:	Variant:	drawing no.
1	1	78050204			04.56.91.06.01.00
o.B.	1	78050205			04.56.91.06.02.00
o.B.	1	78050206			04.56.91.06.03.00
o.B.	1	78050210			04.56.91.01.01.11
o.B.	1	780106			78.01.06.01.00.00
o.B.	1	780107			78.01.06.02.01.00

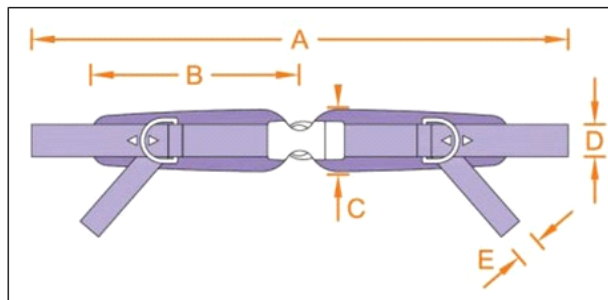
4-point Hip belt with Velcro and synthetic lock



Größe	A	B	C	D	E
1	148	14	5	2,5	2,5
2	156	17	6	2,5	2,5
3	166	22	7	2,5	2,5

pcs.	Q/1	item no.	Product name:	Variant:	drawing no.
1	1	78050401			04.56.91.07.01.00
o.B.	1	78050402			04.56.91.07.02.00
o.B.	1	78050403			04.56.91.07.03.00
o.B.	1	780106			78.01.06.01.00.00
o.B.	1	780107			78.01.06.02.01.00

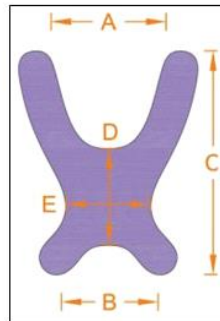
4-point Hip belt with metal lock



Größe	A	B	C	D	E
1	148	14	5	2,5	2,5
2	156	17	6	2,5	2,5
3	166	22	7	2,5	2,5

pcs.	Q/1	item no.	Product name:	Variant:	drawing no.
1	1	78050404			04.56.91.08.01.00
o.B.	1	78050405			04.56.91.08.02.00
o.B.	1	78050406			04.56.91.08.03.00
o.B.	1	78050210			04.56.91.01.01.11
o.B.	1	780106			78.01.06.01.00.00
o.B.	1	780107			78.01.06.02.01.00

Butterfly harness



Größe	A	B	C	D	E
1	9	21	27	10	12
2	12	24	36	14	14
3	17	30	42	15	18
4	20	32	48	17	21

pcs.	Q/1	item no.	Product name:	Variant:	drawing no.
1	1	781001			04.56.92.05.01.00
o.B.	1	781002			04.56.92.05.02.00
o.B.	1	781003			04.56.92.05.03.00
o.B.	1	781004			04.56.92.05.04.00
o.B.	1	780106			78.01.06.01.00.00
o.B.	1	780107			78.01.06.02.01.00