

Loop^{SORG}

SPARE PARTS LIST



[SORG Rollstuhltechnik](#)

Revision: 27.09.2023 15:38:37

Dear customer,

in the following pages you will find a complete spare part list with all parts used to build our wheelchairs.

To ensure a accurate delivery of spare parts it is vital to provide the following information from the identification label in addition to the Article-Number (Art.-No.).

1. Serial number of the chair

The serial number enables us to identify the configuration of delivery of the specific chair in.

2. Seat width, seat depth and back height

The measures on the identification label are specified for the delivery configuration. If you changed any of these measures after delivery e.g. by growing the chair, please specify the actual new measures.

3. Lower leg length

We need the LLL to decide for the right version of several attachments which are connected to the LLL.

4. Frame colour

Please indicate the frame colour of the chair when ordering a powder coated spare part. Please note also if the finish alternative is shiny or matt.

5. Any other change after delivery (e.g. attachments)

We cannot know about changes after delivery. If you are not sure if such a change has any influence on the needed spare parts, please give us some details about it.

List of abbreviations

Pcs.	piece number
item no	item number to order specific spare part
Q/1	quantity per wheelchair/assembly group
SW	seat width
SD	seat depth
BH	back height
alt.	alternative
l/r	left/right

Handling annotations

Only items with item number are to order.

right / left are in relation to driving direction.

If you need further assistance, please contact us:

SORG Rollstuhltechnik GmbH & Co.KG

Benzstraße 3-5

68794 Oberhausen-Rheinhausen

Fon +49 7254 - 9279 0

Fax +49 7254 - 9279 10

info@sorgrollstuhltechnik.de

<http://www.sorgrollstuhltechnik.de>

Opening times:

Monday - Friday 8.00 am - 4.30 pm

Technical alterations and misprints excluded.

Prices on demand.

Contents

Frame

Frame	1
Welded frame	3
Anti-tipper	4
Anti-tipper for 12 inches rear wheels	5
Step tube 20-24 inch	6
Step tube 12 and 16 inch	7

Leg Support

Leg support	9
Adjustable foot plate	14
Leg support adapter universal	28
Heel edge	29
Heel support	31
Calf rest	32
Calf belt	34
Knee lever brake at swiveld leg support	79

Seat

seat, complete	35
Gas pressure spring seat tilting	38
Seat shell adaptation	40
Universal adapter Rehatec	41
Universal adapter Schuchmann	42
Universal adapter Berollka	43

Back

Back, mechanically adjustable in angle	44
Gas pressure spring with self release	45
Back guiding standard	46
Back guiding long	47
Push bow, adjustable	48

Side guard

Wheel cover	50
Wheel cover small	51
Wheel cover 16 inches	52
Arm rest, rasterized	53
Arm rest 24cm, adjustable	54
Arm rest elevating	55

Contents

Caster wheel

Caster housing	57
Adapter for low seat heights	59
Caster fork	60
Caster fork with quick release axle	61
Caster wheels	62

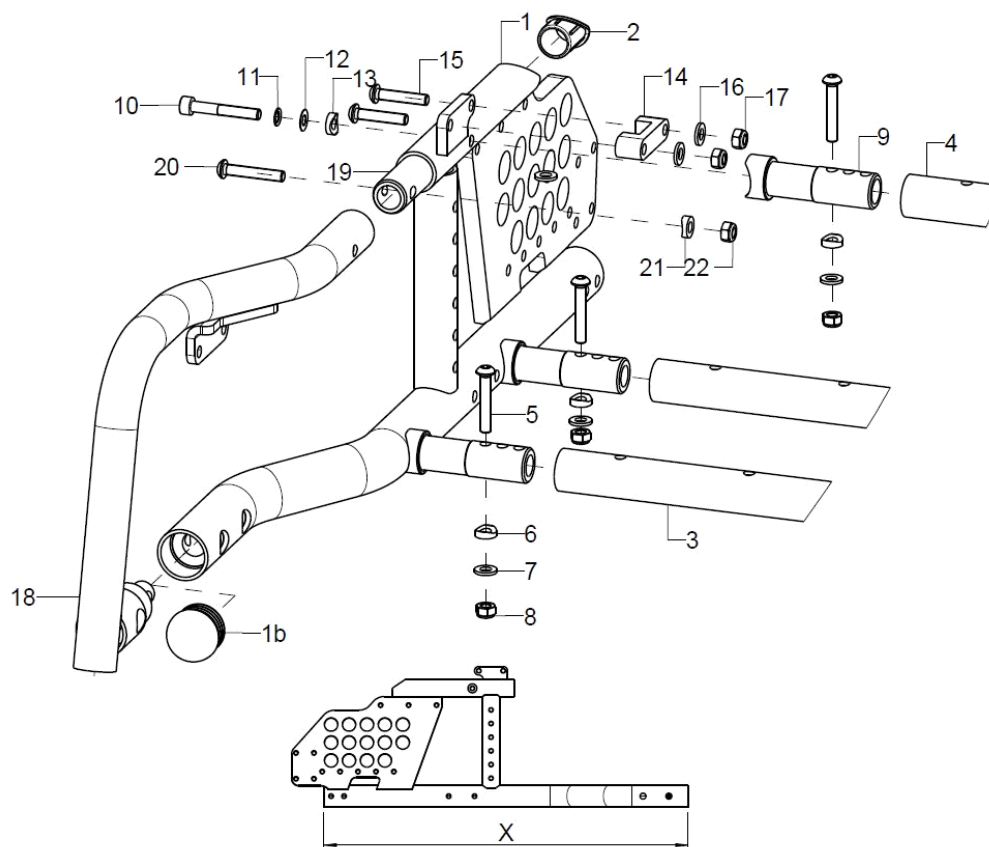
Rear wheel

Adaptation plate, 12 inches	63
Adaptation plate, 16 inches	64
12 inches rear wheels	65
16 inch rear wheel	66
Wheel base extension	67
Drum brake anchor	68
Rear wheel	69
Tyres	70
Handrims	71
Spoke covers	72
Double hand rim for drum brake	73

Brake

Knee lever brake, open frame	75
Knee lever brake for small seat depth, open frame	77
Knee lever brake, closed frame, without wheel base extension	81
Knee lever brake, closed frame, with wheel base extension	82
Knee lever brake, closed frame, with one hand brake and double hand rim	83
Knee lever brake for 12 inches rear wheels	85
Brake handle for drum brake	86
Brake lever extension	87

Frame

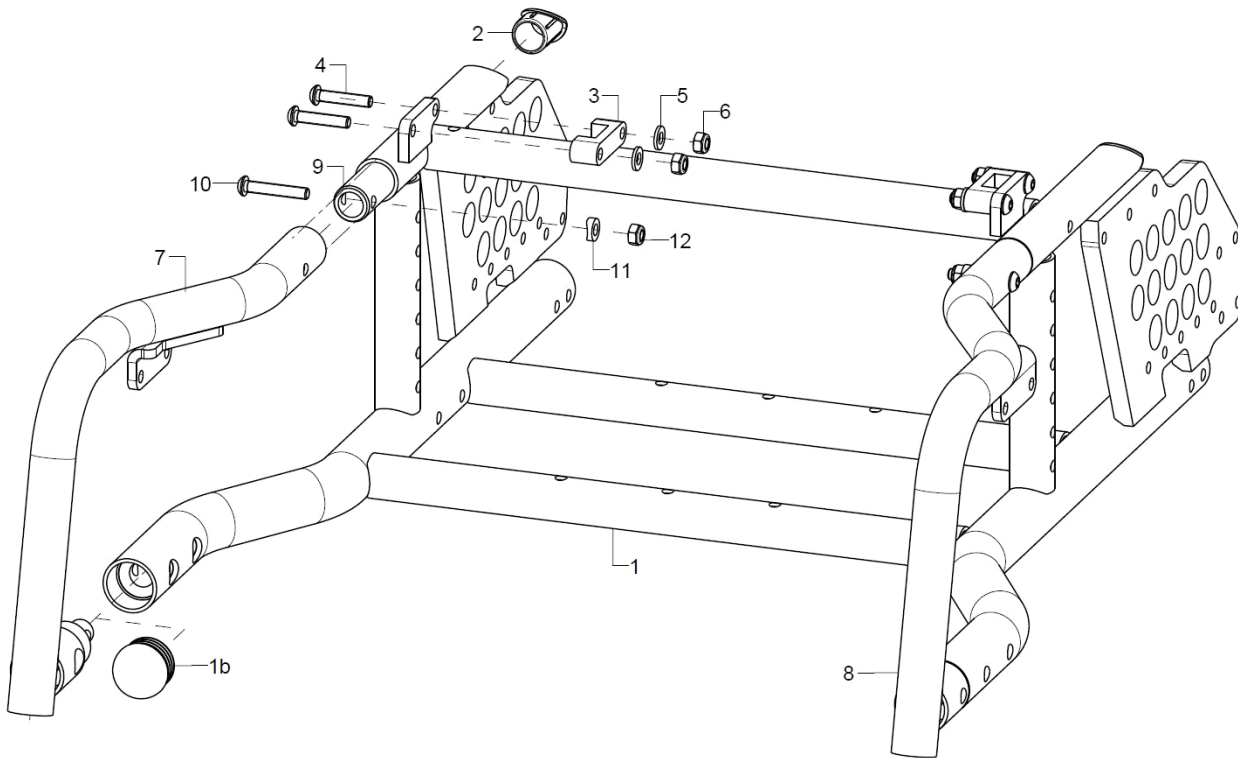


pcs.	Q/1	item no.	Product name:	Variant:	drawing no.
1+2	1	59760102			59.76.01.00.02.76
o.B.	1	59760101			59.76.01.00.01.76
1+2	1	59760202			59.76.02.00.02.76
o.B.	1	59760201			59.76.02.00.01.76
1b	1	59760103	plug half sphere Ø30		04.63.10.30.01.10
2	1				59.80.10.01.00.80
3	2	58760100			58.76.01.01.00.76
4	1	58345B	crossbar D=24x2xSW		58.34.01.00.00.69
5-8	3	583499	mounting set crossbar on frame		XXXXXXXXXXXX
5	2		lens head screw with hexagon socket ISO 7380 - M6x35		01.42.08.59.65.00
6	2		saddle washer Ø12/6x2,5		35.04.16.01.00.10
7	2		washer DIN 125 - A 6,4		02.61.06.41.41.20
8	2		hexagon nut self-locking low form DIN 985 - M6		02.32.00.60.01.20
9-13	2	583501	crossbar adapter		58.35.01.01.00.71
10	1				01.22.08.60.62.40
11	1		lock washer S6		02.99.10.60.01.10
12	1				02.68.06.00.30.30
13	1		saddle washer Ø12/6x2,5		35.04.16.01.00.10
14-17	2	59760110			59.76.01.10.00.76
15	2		lens head screw with hexagon socket ISO 7380 - M6x30		01.42.08.58.65.00
16	2		washer DIN 125 - A 6,4		02.61.06.41.41.20
17	2		hexagon nut self-locking low form DIN 985 - M6		02.32.00.60.01.20
18	1	59760502			59.76.05.00.02.76
o.B.	1	59760501			59.76.05.00.01.76
19	2	59760504			59.76.05.04.00.76

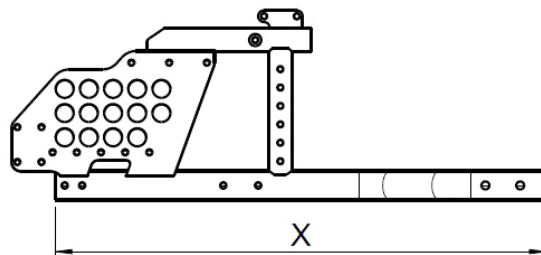
**Spare parts list Loop by SORG****Frame**

o.B.	2		reinforcement bushing for 12"	59.76.01.12.00.76
20-22	2	583499	mounting set crossbar on frame	XXXXXXXXXXXX
20	2		lens head screw with hexagon socket ISO 7380 - M6x35	01.42.08.59.65.00
21	2		saddle washer $\varnothing 12/6 \times 2,5$	35.04.16.01.00.10
22	2		hexagon nut self-locking low form DIN 985 - M6	02.32.00.60.01.20

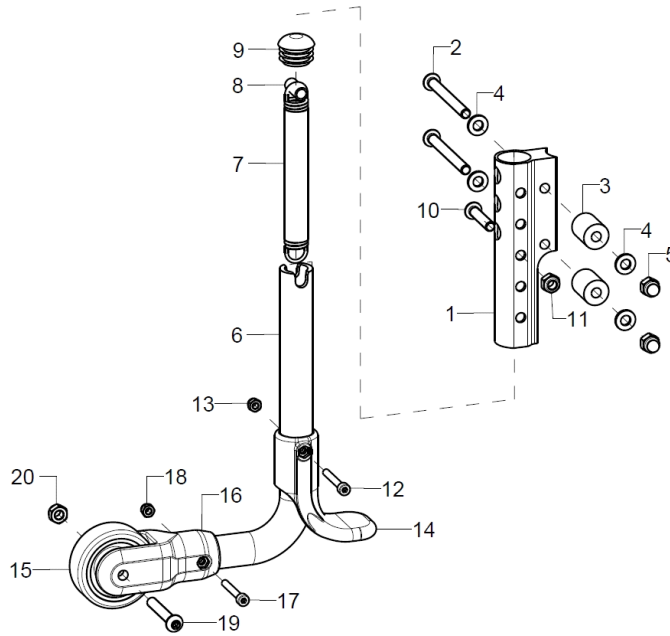
Welded frame



pcs.	Q/1	item no.	Product name:	Variant:	drawing no.
1+2	1	59761101			59.76.10.00.00.76
1+2	1	59761201			59.76.11.00.00.76
1b	2	59760103	plug half sphere Ø30		04.63.10.30.01.10
2	1				59.80.10.01.00.80
3-6	2	59760110			59.76.01.10.00.76
4	2		lens head screw with hexagon socket ISO 7380 - M6x30		01.42.08.58.65.00
5	2		washer DIN 125 - A 6,4		02.61.06.41.41.20
6	2		hexagon nut self-locking low form DIN 985 - M6		02.32.00.60.01.20
7	1	59760502			59.76.05.00.02.76
8	1	59760501			59.76.05.00.01.76
9	2	59760504			59.76.05.04.00.76
o.B.	2		reinforcement bushing for 12"		59.76.01.12.00.76
10-12	2	583499	mounting set crossbar on frame		XXXXXXXXXXXX
10	2		lens head screw with hexagon socket ISO 7380 - M6x35		01.42.08.59.65.00
11	2		saddle washer Ø12/6x2,5		35.04.16.01.00.10
12	2		hexagon nut self-locking low form DIN 985 - M6		02.32.00.60.01.20

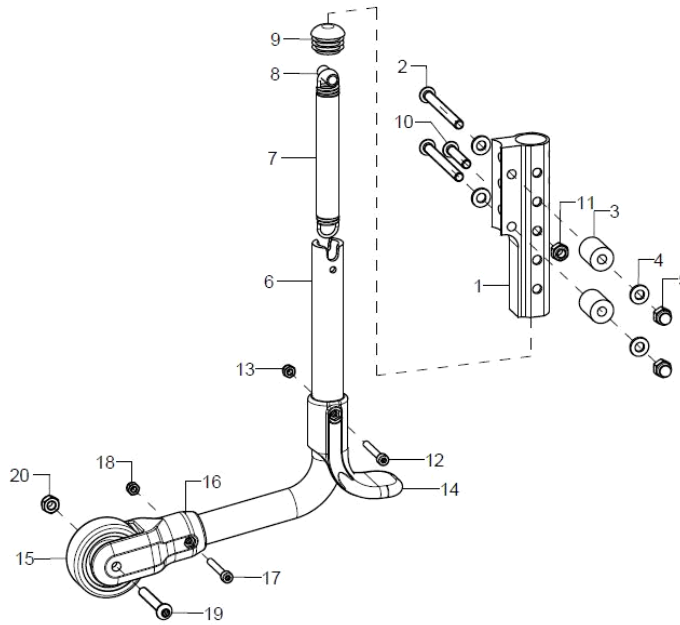


Anti-tipper



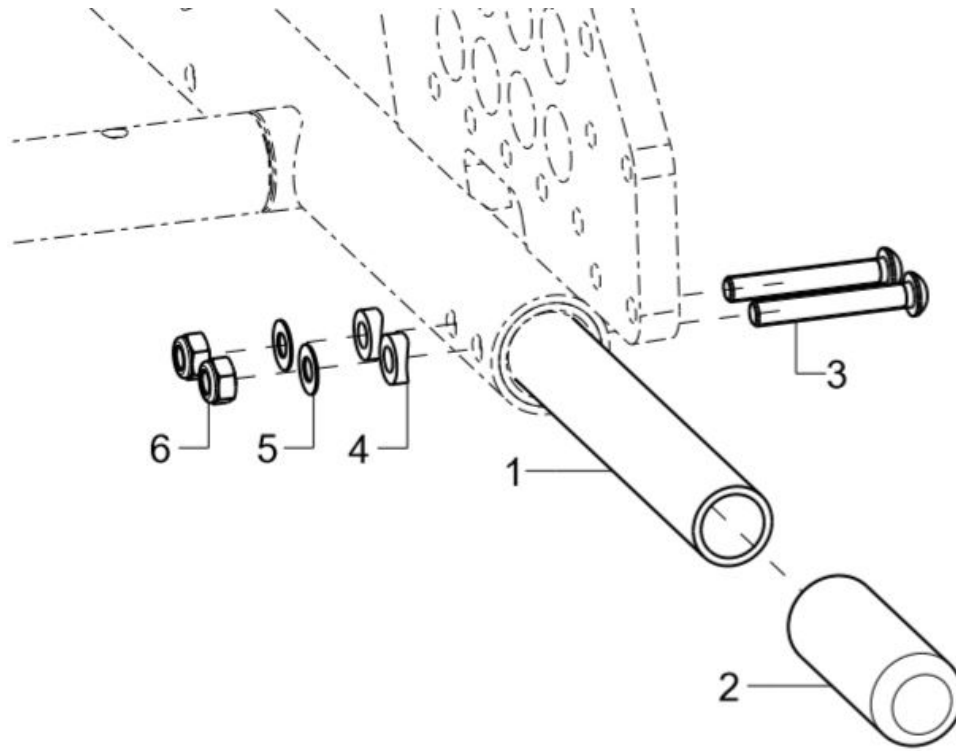
pcs.	Q/1	item no.	Product name:	Variant:	drawing no.
1-20	1	721501	anti-tipper compl., pos. 1 + mounting set A+ anti-tipper bail premounted for 20/22" size driving wheel		72.15.01.02.00.74
1-20	1	721502	anti-tipper compl., pos. 1 + mounting set A+ anti-tipper bail premounted for 24" size driving wheel		72.15.01.03.00.74
1	1	72150106	anti-tipper holder		72.15.01.06.00.74
2-5	1	7215010699	mounting set anti-tipper holder		XXXXXXXXXXXX
2	2		lens head screw with hexagon socket ISO 7380 - M6x35		01.42.08.59.65.00
altern.	2		lens head screw with hexagon socket ISO 7380 - M6x40		01.42.08.60.65.00
altern.	2		lens head screw with hexagon socket ISO 7380 - M6x55		01.42.08.63.65.00
altern.	2				01.42.08.64.65.00
3	2				72.15.76.02.00.76
4	4		washer DIN 125 - A 6,4		02.61.06.41.41.20
5	2		hexagon cap nut low form with clamp DIN 986 - M6		02.33.00.60.11.20
6-20	1	721500XX	anti-tipper pre-assembled		72.15.XX.99.XX.74
6	1		anti-tipper bail		72.15.01.XX.00.74
7-13	1	72150107	tension spring, loop 180°, 1/1 centred, 13,5x2x113		04.22.01.41.13.00
8	1		spacer bushing 18,4 mm		45.03.10.00.00.73
9	1		plugs for tube ø22x1-2, black		04.63.10.22.00.10
10	1		lens head screw with hexagon socket ISO 7380 - M6x30		01.42.08.58.65.00
11	1		hexagon nut self-locking low form DIN 985 - M6		02.32.00.60.01.20
12	1		cylinder screw DIN 912 M4x30		01.22.07.38.62.40
13	1				02.33.00.40.01.20
14	1	72150104	tipping lever black		72.15.01.04.00.74
15	1	720004	wheel ø50, width 18, nob width 20, axle ø 6, PU grey		04.52.42.50.00.30
16-20	1	72150101	holder anti-tipper for wheel ø50 mm, incl. mounting set		72.15.01.01.00.74
17	1		cylinder screw DIN 912 M4x30		01.22.07.38.62.40
18	1				02.33.00.40.01.20
19	1		lens head screw with hexagon socket ISO 7380 - M6x40		01.42.08.60.65.00
20	1		hexagon cap nut low form with clamp DIN 986 - M6		02.33.00.60.11.20

Anti-tipper for 12 inches rear wheels



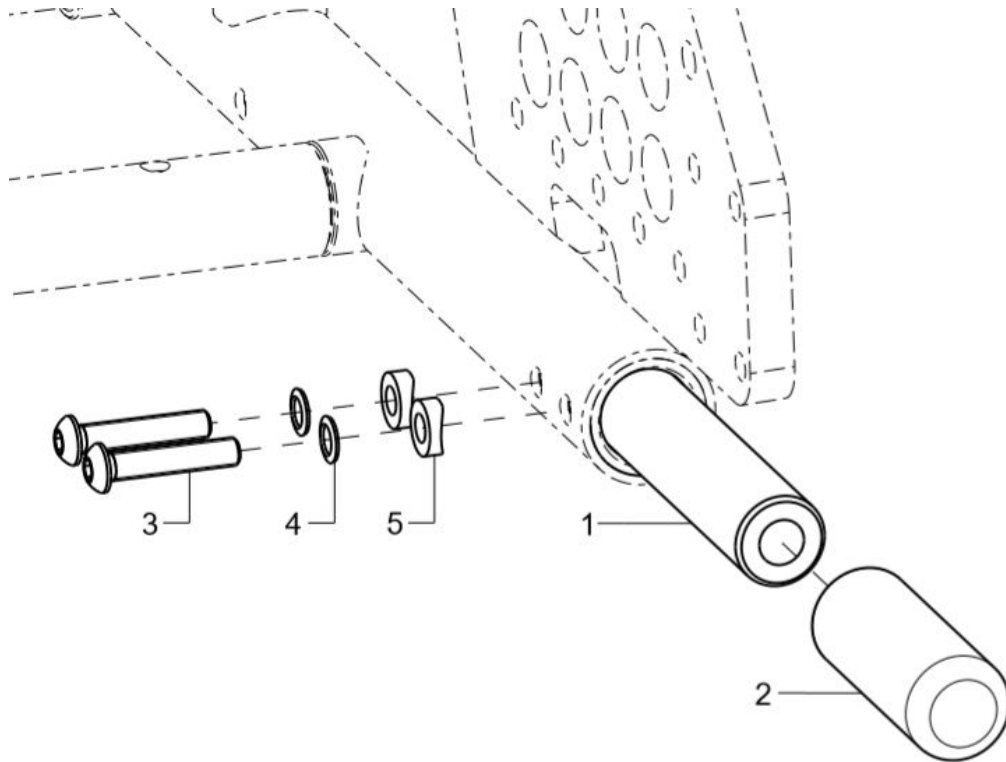
pcs.	Q/1	item no.	Product name:	Variant:	drawing no.
1-20	1	721512			
altern.	1				
1	1	72150106	anti-tipper holder		72.15.01.06.00.74
2-4	1	7215010699	mounting set anti-tipper holder		XXXXXXXXXXXX
2	2				01.42.08.64.65.00
altern.	2				
3	2				72.15.76.02.00.76
4	2		fitted washer DIN 988 - 6x12x0,5 - A2		02.68.06.00.50.30
5	2		hexagon cap nut low form with clamp DIN 986 - M6		02.33.00.60.11.20
6-20	1	72150012			72.15.76.99.00.76
altern.	1	72150001	anti-tipper bail premounted for 20/22" size driving wheels		
6	1				72.15.76.01.00.76
altern.	1				72.15.01.02.00.74
7-13	1	72150107	tension spring, loop 180°, 1/1 centred, 13,5x2x113		04.22.01.41.13.00
8	1		spacer bushing 18,4 mm		45.03.10.00.00.73
9	1		plugs for tube ø22x1-2, black		04.63.10.22.00.10
10	1		lens head screw with hexagon socket ISO 7380 - M6x30		01.42.08.58.65.00
11	1		hexagon nut self-locking low form DIN 985 - M6		02.32.00.60.01.20
12	1		cylinder screw DIN 912 M4x30		01.22.07.38.62.40
13	1		hexagon nut self-locking low form DIN 985 - M4		02.32.00.40.01.20
14	1	72150104	tipping lever black		72.15.01.04.00.74
15	1	720004	wheel ø50, width 18, nob width 20, axle ø 6, PU grey		04.52.42.50.00.30
16-20	1	72150101	holder anti-tipper for wheel ø50 mm, incl. mounting set		72.15.01.01.00.74
17	1		cylinder screw DIN 912 M4x30		01.22.07.38.62.40
18	1		hexagon nut self-locking low form DIN 985 - M4		02.32.00.40.01.20
19	1		lens head screw with hexagon socket ISO 7380 - M6x40		01.42.08.60.65.00
20	1		hexagon nut self-locking low form DIN 985 - M6		02.32.00.60.01.20

Step tube 20-24 inch



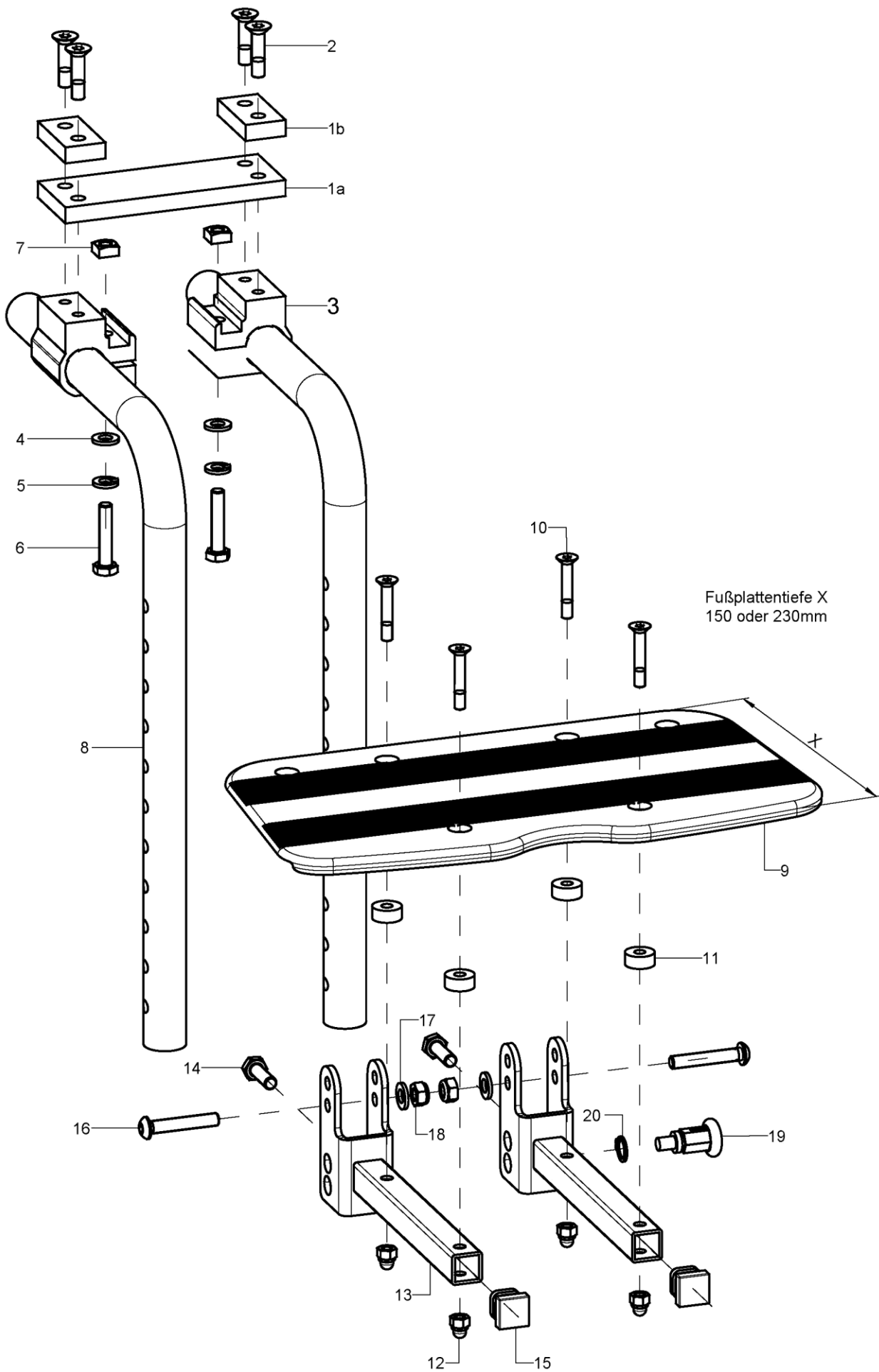
pcs.	Q/1	item no.	Product name:	Variant:	drawing no.
1-5	1	7407			
1	1		tipping lever		74.07.01.01.00.76
2	1	740102	covered cap		74.01.02.01.00.10
3	2		lens head screw with hexagon socket ISO 7380 - M6x40		01.42.08.60.65.00
4	2		saddle washer $\varnothing 12/6 \times 2,5$		35.04.16.01.00.10
5	2		fitted washer DIN 988 - 6x12x0,5 - A2		02.68.06.00.50.30
6	2		hexagon nut self-locking low form DIN 985 - M6		02.32.00.60.01.20

Step tube 12 and 16 inch



pcs.	Q/1	item no.	Product name:	Variant:	drawing no.
1-5	1	740705			
1	1				74.07.01.05.00.76
2	1				74.01.02.01.00.10
3	2		lens head screw with hexagon socket ISO 7380 - M6x30		01.42.08.58.65.00
4	2		lock washer S6		02.99.10.60.01.10
5	2		saddle washer Ø12/6x2,5		35.04.16.01.00.10

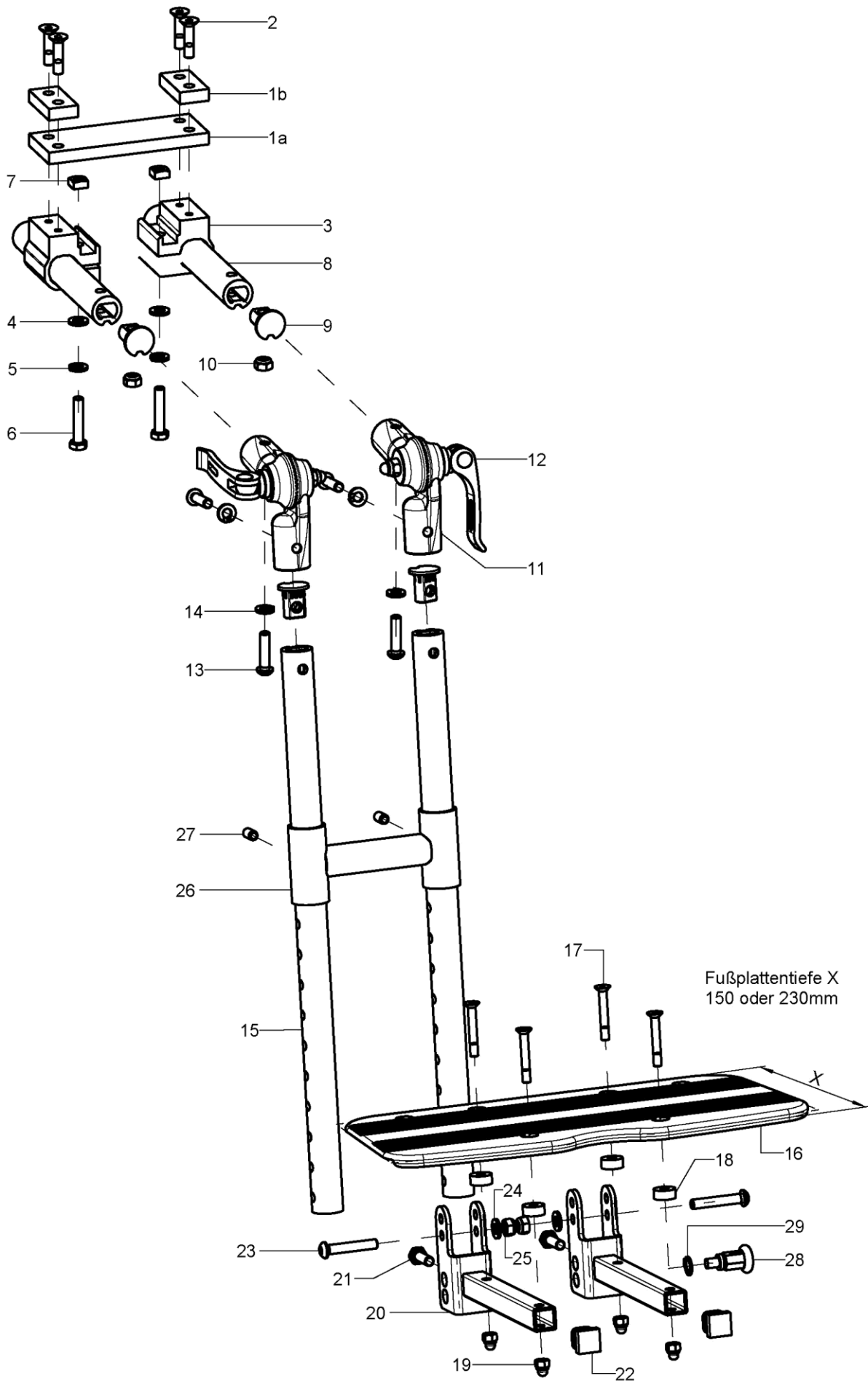
Leg support





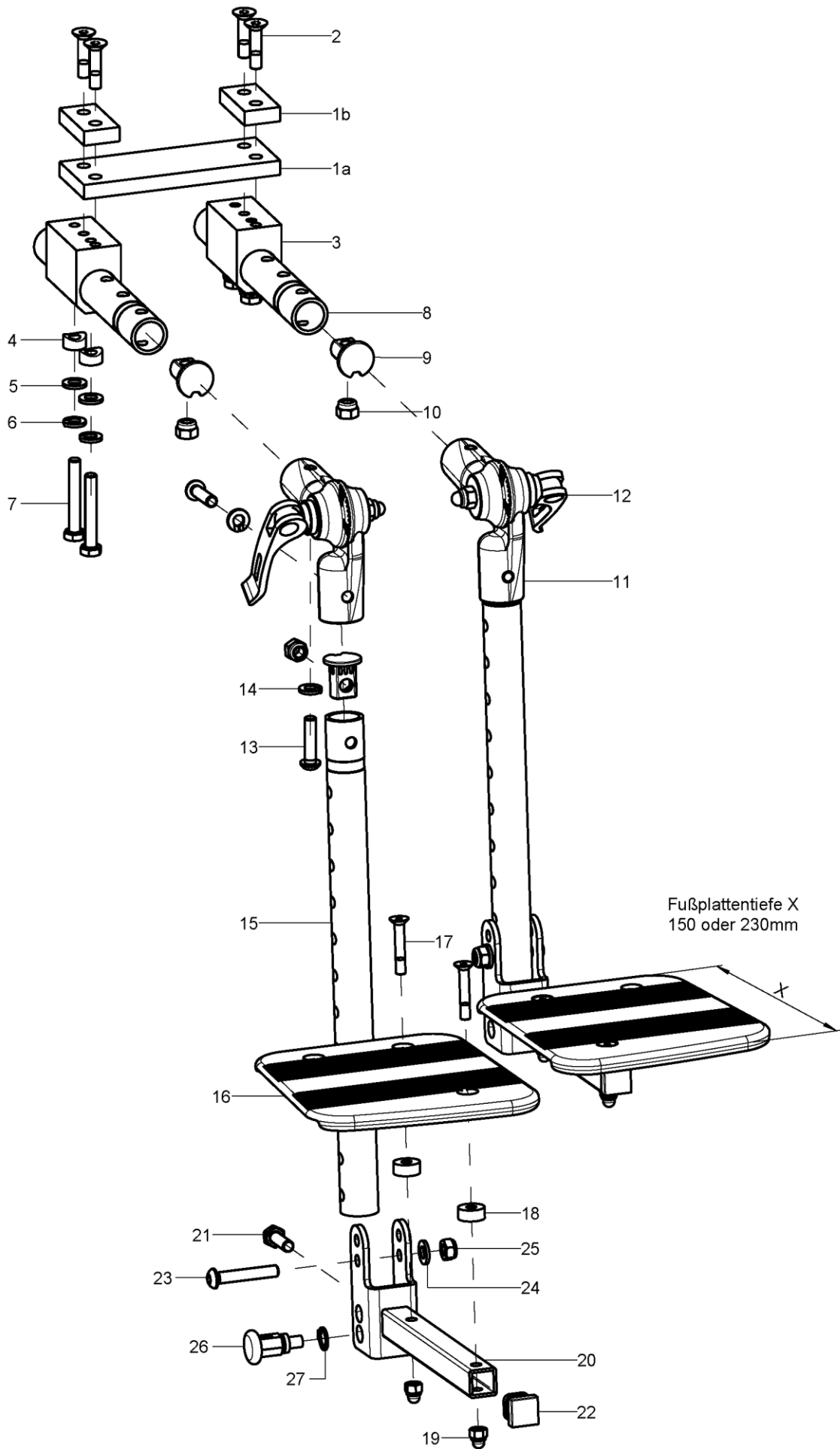
pcs.	Q/1	item no.	Product name:	Variant:	drawing no.
1-18	1	405501			
o.B.	1	405502			
1a-2	1	40550201			40.55.02.01.00.76
1b-2	2	40550202			40.55.02.02.00.76
2	4		counter sunk screw with hexagon socket DIN 7991 M6x25		01.65.08.56.02.40
3-7	2	40551003			40.55.10.03.00.76
4	1		washer DIN 125 - A 6,4		02.61.06.41.41.20
5	1		spring ring DIN 127- A6		02.85.30.60.05.10
6	1		hexagon screw DIN 933 - M6x30		01.04.08.58.02.40
7	1		square nut DIN 557 M6		02.13.00.60.01.20
8	2	400102	knee angle leg support holder 90° 310mm		40.01.02.01.00.24
altern.	2	400111	knee angle leg support holder 90° 410 mm		40.01.02.01.00.28
altern.	2	400112			40.01.02.02.00.28
9-12	1	40551100	foot rest 150 mm continuous incl mounting set		40.55.11.00.00.76
altern.	1	40551200	foot rest 230 mm continuous incl. mounting set		40.55.12.00.00.76
10-12	1	40551199	mounting set foot rest		
10	4		counter sunk screw with hexagon socket DIN 7991 M5x30		01.65.07.98.05.00
11	4		bushing Ø14/5,2x6		40.55.00.01.00.76
12	4		hexagon nut self-locking low form DIN 985 - M5		02.32.00.50.01.20
13-18	2	400103	foot plate joint holder 100720 for continuous foot plate incl. mounting set		40.01.03.02.99.28
14	1				01.04.08.54.82.40
15	1		plugs for square tubes, black 15x15		04.63.11.15.00.10
16	1		lens head screw with hexagon socket ISO 7380 - M6x35		01.42.08.59.65.00
17	1		washer DIN 125 - A 6,4		02.61.06.41.41.20
18	1		hexagon nut self-locking low form DIN 985 - M6		02.32.00.60.01.20
19+20	1	690101	latch Ø6/M10x1x31 with lock		04.14.43.60.02.00
20	1		lock ring 10, DIN 471		03.01.01.00.93.00

Leg support



pcs.	Q/1	item no.	Product name:	Variant:	drawing no.
1-27	1	405503			
o.B.	1	405504			
1a-2	1	40550201			40.55.02.01.00.76
1b-2	2	40550202			40.55.02.02.00.76
2	3		counter sunk screw with hexagon socket DIN 7991 M6x25		01.65.08.56.02.40
3-7	2	40551003			40.55.10.03.00.76
4	1		washer DIN 125 - A 6,4		02.61.06.41.41.20
5	1		spring ring DIN 127- A6		02.85.30.60.05.10
6	1		hexagon screw DIN 933 - M6x30		01.04.08.58.02.40
7	1		square nut DIN 557 M6		02.13.00.60.01.20
8-10	2	40550003			40.55.00.03.00.76
altern.	2	40550004			40.55.00.04.00.76
9+10	4	653406	plug for nut M6 incl hexagon nut		65.22.20.10.00.00
10	4		hexagon nut self-locking low form DIN 985 - M6		02.32.00.60.01.20
11-14	2	652220	angle adjusting element metal 307° compl with eccentric clamp and mounting set		65.22.20.99.00.10
12	1	652224	eccentric clamp length 35 mm M6x20, black (incl. spring, nut, washer, bush)		65.22.24.99.00.76
13	2		lens head screw with hexagon socket ISO 7380 - M6x25		01.42.08.56.65.00
14	2		spring ring DIN 127- A6		02.85.30.60.05.10
15	2	40550301			40.55.03.05.01.76
altern.	2	40550302			40.55.03.05.02.76
altern.	2	40550303			40.55.03.05.03.76
16-19	1	40551100	foot rest 150 mm continuous incl mounting set		40.55.11.00.00.76
altern.	1	40551200	foot rest 230 mm continuous incl. mounting set		40.55.12.00.00.76
17-19	1	40551199	mounting set foot rest		
17	4		counter sunk screw with hexagon socket DIN 7991 M5x30		01.65.07.98.05.00
18	4		bushing Ø14/5,2x6		40.55.00.01.00.76
19	4		hexagon cap nut low form with clamp DIN 986 - M5		02.33.00.60.21.20
20-25	2	400103	foot plate joint holder 100720 for continuous foot plate incl. mounting set		40.01.03.02.99.28
21	1				01.04.08.54.82.40
22	1		plugs for square tubes, black 15x15		04.63.11.15.00.10
23	1		lens head screw with hexagon socket ISO 7380 - M6x35		01.42.08.59.65.00
24	1		washer DIN 125 - A 6,4		02.61.06.41.41.20
25	1		hexagon nut self-locking low form DIN 985 - M6		02.32.00.60.01.20
26	1	40521001			40.52.10.01.00.24
27	2		setscrew with hexagon socket DIN 913, M6x12		01.67.08.49.61.20
28+29	1	690101	latch Ø6/M10x1x31 with lock		04.14.43.60.02.00
29	1		lock ring 10, DIN 471		03.01.01.00.93.00

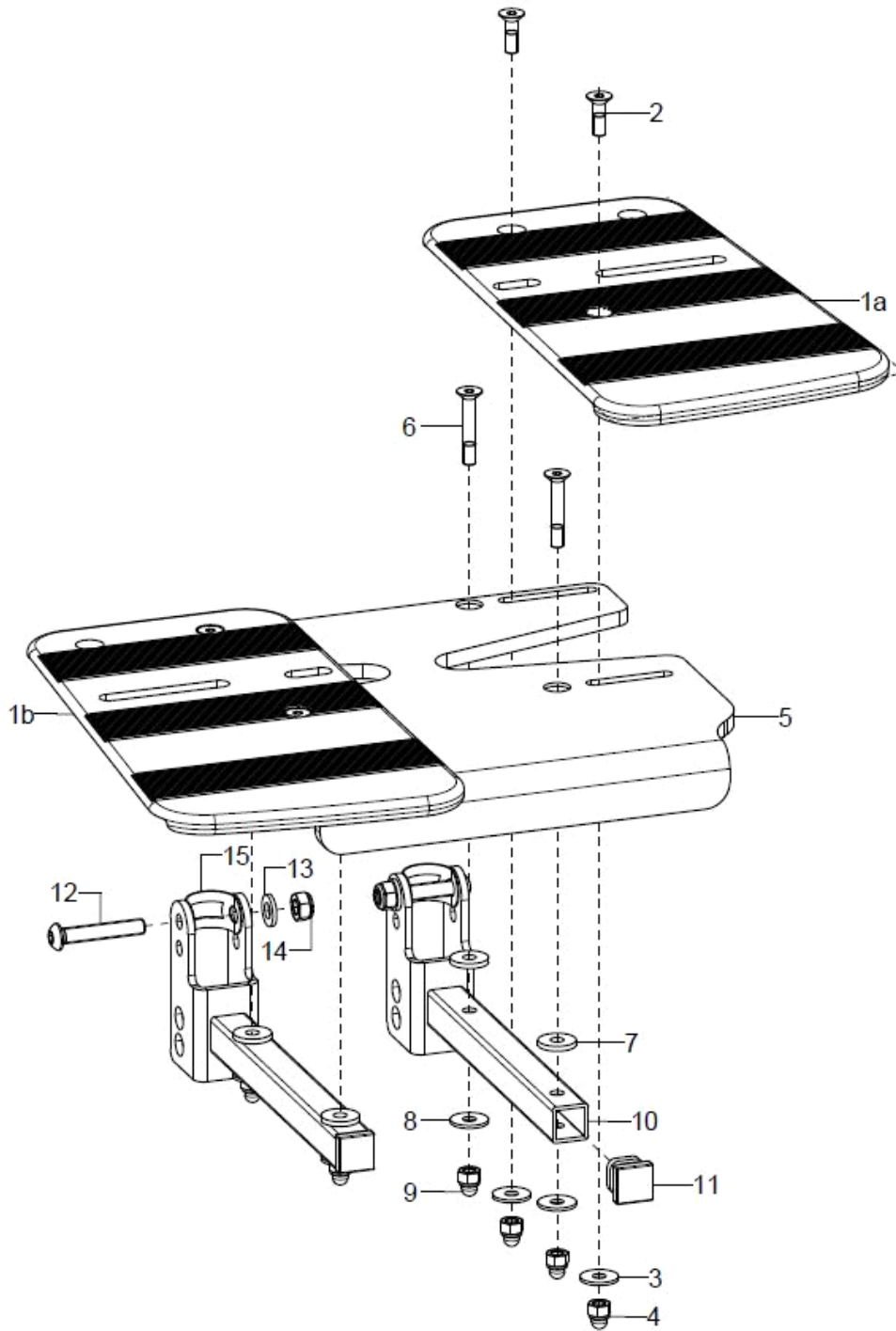
Leg support





pcs.	Q/1	item no.	Product name:	Variant:	drawing no.
1-25	1	405530			
o.B.	1	405531			
1a-2	1	40550201			40.55.02.01.00.76
1b-2	1	40550202			40.55.02.02.00.76
2	4		counter sunk screw with hexagon socket DIN 7991 M6x25		01.65.08.56.02.40
3-7	2	40550308			40.55.03.08.00.76
4	2		saddle washer Ø12x3x7		40.13.01.03.00.24
5	2		washer DIN 125 - A 6,4		02.61.06.41.41.20
6	2		spring ring DIN 127- A6		02.85.30.60.05.10
7	2				01.03.08.60.02.40
8-10+13+14	2	40550307			40.55.03.07.00.76
9+10	4	653406	plug for nut M6 incl hexagon nut		65.22.20.10.00.00
10	4				02.31.00.60.01.20
11-14	2	652220	angle adjusting element metal 307° compl with eccentric clamp and mounting set		65.22.20.99.00.10
12	1	652224	eccentric clamp length 35 mm M6x20, black (incl. spring, nut, washer, bush)		65.22.24.99.00.76
13	2		lens head screw with hexagon socket ISO 7380 - M6x25		01.42.08.56.65.00
14	2		spring ring DIN 127- A6		02.85.30.60.05.10
15	2	40550304			40.55.03.06.01.76
altern.	2	40550305			40.55.03.06.02.76
altern.	2	40550306			40.55.03.06.03.76
16-19	1	40551300	foot rest 150 mm divided, incl. mounting set		40.55.13.00.00.76
altern.	1	40551400	foot rest 230 mm divided, incl. mounting set		40.55.14.00.00.76
17-19	1	40551199	mounting set foot rest		
17	4		counter sunk screw with hexagon socket DIN 7991 M5x30		01.65.07.98.05.00
18	4		bushing Ø14/5,2x6		40.55.00.01.00.76
19	4		hexagon cap nut low form with clamp DIN 986 - M5		02.33.00.60.21.20
20-25	2	400103	foot plate joint holder 100720 for continuous foot plate incl. mounting set		40.01.03.02.99.28
21	1				01.04.08.54.82.40
22	1	401107	end plug 15x15 black, 4 piece set		04.63.11.15.00.10
23	1		lens head screw with hexagon socket ISO 7380 - M6x35		01.42.08.59.65.00
24	1		washer DIN 125 - A 6,4		02.61.06.41.41.20
25	1		hexagon nut self-locking low form DIN 985 - M6		02.32.00.60.01.20
26+27	1	690101	latch Ø6/M10x1x31 with lock		04.14.43.60.02.00
27	1		lock ring 10, DIN 471		03.01.01.00.93.00

Adjustable foot plate

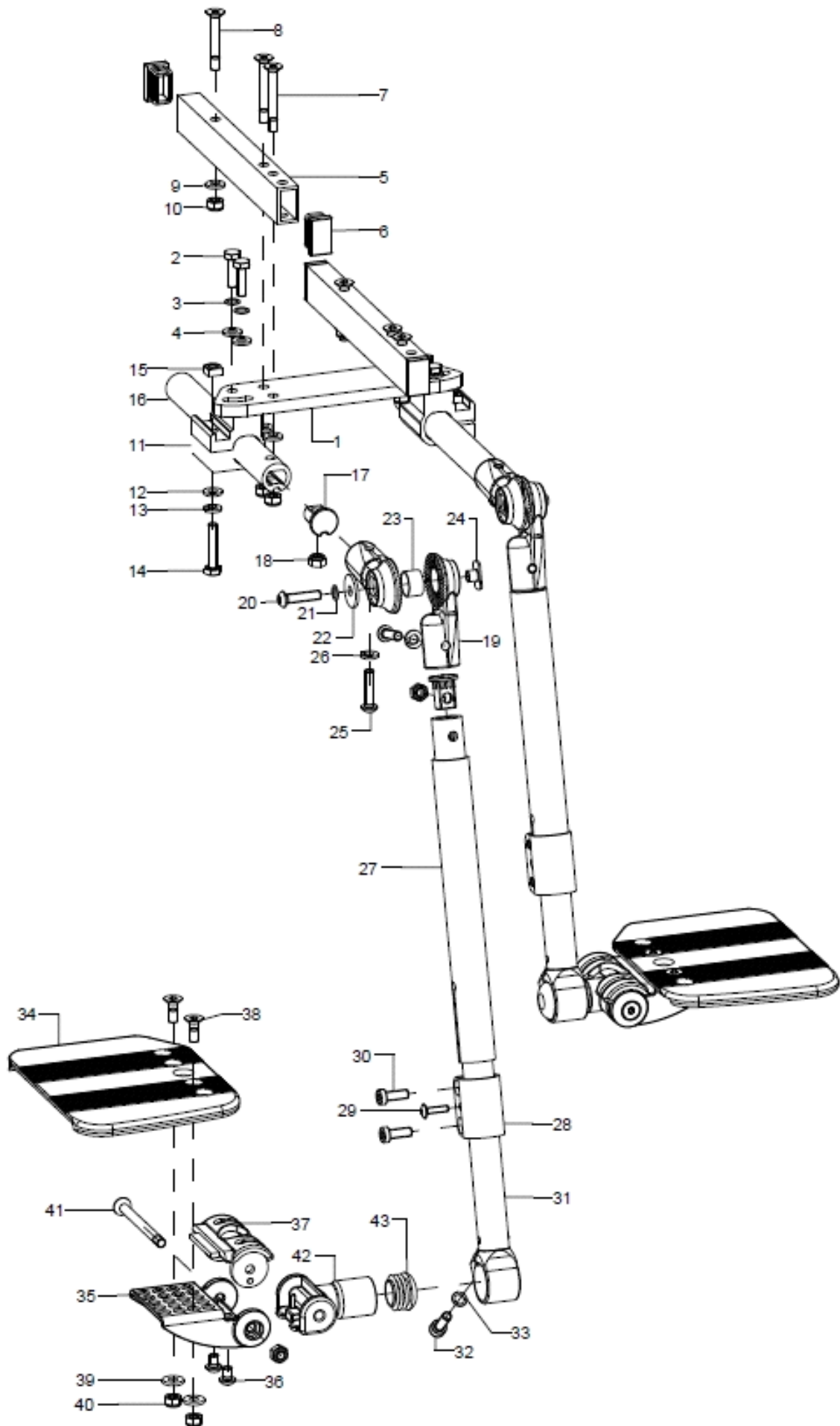


pcs.	Q/1	item no.	Product name:	Variant:	drawing no.
1-4	1	40551400	foot rest 230 mm divided, incl. mounting set		40.55.14.00.00.76
2	2		counter sunk screw with hexogon socket DIN 7991 M5x16		01.65.07.92.05.00
3	2		washer DIN 9021 - M5		02.79.05.31.20.20
4	2		hexagon cap nut low form with clamp DIN 986 - M5		02.33.00.60.21.20
5-9	1				40.55.16.00.00.76
6	4		counter sunk screw with hexogon socket DIN 7991 M5x30		01.65.07.98.05.00
7	4		washer DIN 7349 - 5,3		02.77.05.22.00.20
9	4		washer DIN 9021 - M5		02.79.05.31.20.20
8	4		hexagon cap nut low form with clamp DIN 986 - M5		02.33.00.60.21.20
10-15	2	400103	foot plate joint holder 100720 for continuous foot plate incl. mounting set		40.01.03.02.99.28



11	1	401107	end plug 15x15 black, 4 piece set	04.63.11.15.00.10
12	1		lens head screw with hexagon socket ISO 7380 - M6x35	01.42.08.59.65.00
13	1		washer DIN 125 - A 6,4	02.61.06.41.41.20
14	1		hexagon nut self-locking low form DIN 985 - M6	02.32.00.60.01.20
15	1			40.54.03.04.00.82

Leg support



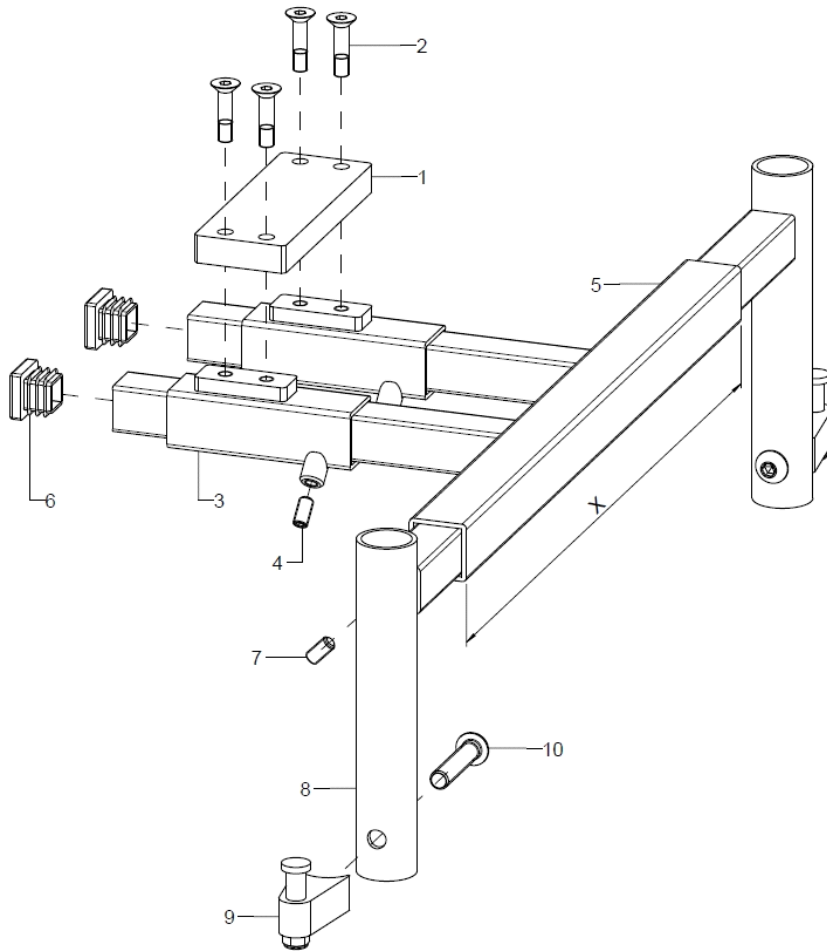


pcs.	Q/1	item no.	Product name:	Variant:	drawing no.
1-43	1	405506			
1-15	1	40550601			
1-4	1	40550602			40.55.06.02.00.76
2	4		hexagon screw DIN 933 - M6x20		01.04.08.54.02.40
3	4		lock washer S6		02.99.10.60.01.10
4	4		washer DIN 125 - A 6,4		02.61.06.41.41.20
5-10	2	40550610			40.50.06.10.01.76
altern.	2	40550613			40.50.06.10.02.76
6	4		plugs for rectangle tubes, black, 25x15x1,5-2		04.63.12.25.15.10
7	4		counter sunk screw with hexagon socket DIN 7991 M6x45		01.65.08.61.05.00
8	2		counter sunk screw with hexagon socket DIN 7991 M6x40		01.65.08.60.05.00
9	6		washer DIN 125 - A 6,4		02.61.06.41.41.20
10	6		hexagon nut self-locking low form DIN 985 - M6		02.32.00.60.01.20
11-15	2	40551003			40.55.10.03.00.76
12	1		washer DIN 125 - A 6,4		02.61.06.41.41.20
13	1		spring ring DIN 127- A6		02.85.30.60.05.10
14	1		hexagon screw DIN 933 - M6x30		01.04.08.58.02.40
15	1		square nut DIN 557 M6		02.13.00.60.01.20
16-18	2	40550300			40.55.00.03.00.76
17-18	4	653406	plug for nut M6 incl hexagon nut		65.22.20.10.00.00
18	4		hexagon nut self-locking low form DIN 985 - M6		02.32.00.60.01.20
19-26	2	652221			65.22.20.02.00.47
20	1		lens head screw with hexagon socket ISO 7380 - M6x25		01.42.08.56.65.00
21	1		lock washer S6		02.99.10.60.01.10
22	1				02.67.22.03.09.21
23	1		bushing Ø16,8x1x10		65.22.20.05.00.47
24	1		weld nut C- M6x7,5		02.49.34.03.00.10
25	2		lens head screw with hexagon socket ISO 7380 - M6x25		01.42.08.56.65.00
26	2		spring ring DIN 127- A6		02.85.30.60.05.10
27	2	40550605			40.55.06.05.00.76
28-30	2		clamp BMD		40.55.06.08.00.76
29	2		lens head screw with hexagon socket M4x16		01.43.07.31.65.00
30	4		cylinder screw, low head DIN 7984-M6x16		01.24.08.52.05.00
31-33	2	40550611	leg support tube glued 195 mm left, incl. mounting screw		40.55.06.11.01.76
altern.	2	40360121	leg support tube glued 235 mm left, incl. mounting screws		40.36.01.15.21.74
altern.	2	40360131	leg support tube glued 305 mm left, incl. mounting screws		40.36.01.15.31.74
32	1		cylinder screw DIN 912 M6x16		01.22.08.52.62.40
33	1		lock washer S6		02.99.10.60.01.10
34a	1	40361100	foot plate 8mm divided left		40.36.10.XX.02.74
34b	1	40361000	foot plate 8mm divided right		40.36.10.XX.02.74
35-38	2	40361020	adjustment unit divided incl. grid		40.36.10.30.00.74
36	2		lens head screw with hexagon socket ISO 7380 - M6x8		01.42.08.47.65.00
37	1	40360102	raster part for foot plate		40.36.01.02.00.74
38-41	2	40360599	mounting set adjustment piece		XXXXXXXXXXXX
38	2		counter sunk screw with hexagon socket DIN 7991 M6x16		01.65.08.52.02.40
39	2		washer reinforced Ø14/6,2x2		58.30.15.01.00.24
40	3		hexagon nut self-locking low form DIN 985 - M6		02.32.00.60.01.20
41	1		counter sunk screw with hexagon socket DIN 7991 M6x75/8		01.65.08.67.02.41
42	2	40360205	joint for divided leg support incl. plug		40.36.10.31.00.74



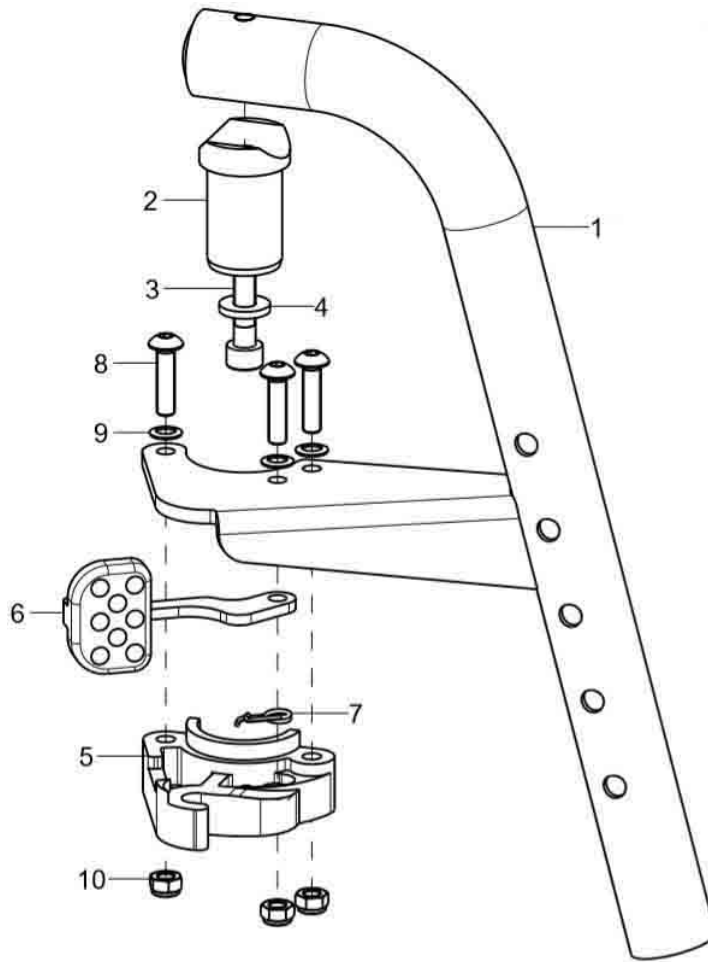
Leg support

Possible from frame size 2 and seat depth 40cm. Not in combination with frame bows for closed frame.



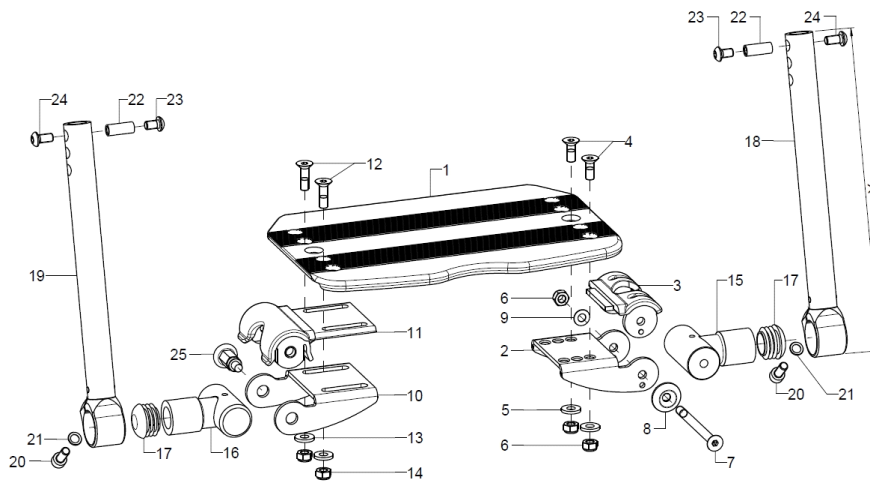
pcs.	Q/1	item no.	Product name:	Variant:	drawing no.
1-10	1	40550401			
1-2	1	40550405			40.55.04.04.02.76
2	4		counter sunk screw with hexagon socket DIN 7991 M6x25		01.65.08.56.02.40
3-4	2	40550404			40.55.04.04.00.76
4	1		setscrew with hexagon socket DIN 913, M6x12		01.67.08.49.61.20
5-7	1	40550411			40.55.04.01.00.76
5-7	1	40550412			40.55.04.01.00.76
6	2		plugs 20x20		04.63.11.20.00.10
7	2		setscrew with hexagon socket DIN 913, M6x12		01.67.08.49.61.20
8	2	40550403			40.55.04.03.00.76
9-10	2	40370112			40.37.01.12.00.75
10	2		lens head screw with hexagon socket ISO 7380 - M8x40		01.42.09.80.65.00

Leg support



pcs.	Q/1	item no.	Product name:	Variant:	drawing no.
1-4	1	40370102			40.37.01.00.02.75
o.B.	1	40370101			40.37.01.00.01.75
2-4	1	40370103			40.37.01.03.00.75
3	1				01.22.08.58.62.40
4	1		washer reinforced $\varnothing 14/6,2 \times 2$		58.30.15.01.00.24
5-10	1	40370122			40.37.01.04.02.75
o.B.	1	40370121			40.37.01.04.01.75
6	1				40.37.01.08.00.75
7	1				40.37.01.09.02.75
o.B.	1				40.37.01.09.01.75
8	3		lens head screw with hexagon socket M5x20		01.43.07.92.05.00
9	3		lock washer S5		02.99.10.50.01.10
10	3		hexagon nut self-locking low form DIN 985 - M5		02.32.00.50.01.20

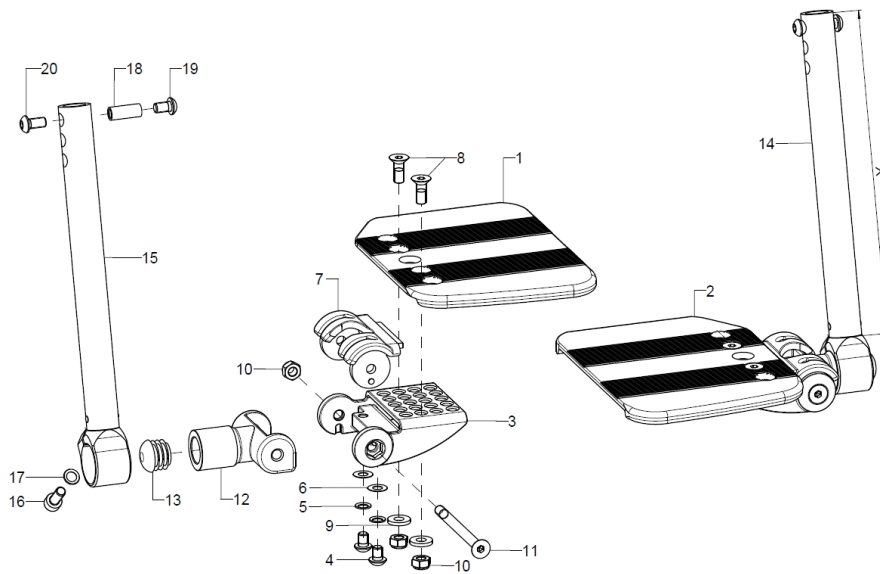
Leg support



pcs.	Q/1	item no.	Product name:	Variant:	drawing no.
1-24	1	403610	leg support continuous, folds up sideways, outer attachment complete		XXXXXXXXXXXX
1	1	40280100	continuous foot plate 8 mm		40.28.01.01.00.10
2-3	1	40360105	adjustment part left incl. raster piece		40.36.01.05.00.74
3	1	40360102	raster part for foot plate		40.36.01.02.00.74
4-9	1	40360299	mounting set adjustment piece		XXXXXXXXXXXX
4	2		counter sunk screw with hexagon socket DIN 7991 M6x16		01.65.08.52.02.40
5	2		washer reinforced Ø14/6,2x2		58.30.15.01.00.24
6	3		hexagon nut self-locking low form DIN 985 - M6		02.32.00.60.01.20
7	1		counter sunk screw with hexagon socket DIN 7991 M6x75/8		01.65.08.67.02.41
8	1		rosette ring Ø22/6x4,5, black		04.14.70.60.09.00
9	1		fitted washer DIN 988 - 6x12x0,5 - A2		02.68.06.00.50.30
10-11	1	40360106	adjustment part right incl. raster piece		40.36.01.06.00.74
11	1	40360101	locking piece		40.36.01.01.00.74
12-14	1	40360599	mounting set adjustment piece		XXXXXXXXXXXX
12	2		counter sunk screw with hexagon socket DIN 7991 M6x20		01.65.08.54.02.40
13	2		washer reinforced Ø14/6,2x2		58.30.15.01.00.24
14	2		hexagon nut self-locking low form DIN 985 - M6		02.32.00.60.01.20
15+17	1	40360111	joint D6 incl. plug		40.36.01.11.50.74
16-17	1	40360110	joint incl. plug		40.36.01.10.50.74
o.B.	1	40360112	joint for latch incl. plug		40.36.01.12.50.74
17	2		plugs for tube Ø25x1-2, black		04.63.10.25.00.10
18+20+21	1	40360121	leg support tube glued 235 mm left, incl. mounting screws		40.36.01.15.21.74
o.B.	1	40360131	leg support tube glued 305 mm left, incl. mounting screws		40.36.01.15.31.74
19-21	1	40360122	leg support tube glued 235 mm right, incl. mounting screws		40.36.01.15.22.74
o.B.	1	40360132	leg support tube glued 305 mm right, incl mounting screws		40.36.01.15.32.74
20	1		cylinder screw DIN 912 M6x16		01.22.08.52.62.40
21	1		lock washer S6		02.99.10.60.01.10
22-24	2	40390299	mounting set leg support tube		40.39.02.99.90.00
22	1		bushing M6x19,5		40.39.01.04.50.69
23	1		lens head screw with hexagon socket ISO 7380 - M6x10		01.42.08.48.65.00
24	1		lens head screw with hexagon socket ISO 7380 - M6x12		01.42.08.49.65.00
25	1	690101	latch Ø6/M10x1x31 with lock		04.14.43.60.02.00
10+16+25	1	400902	lock complete		



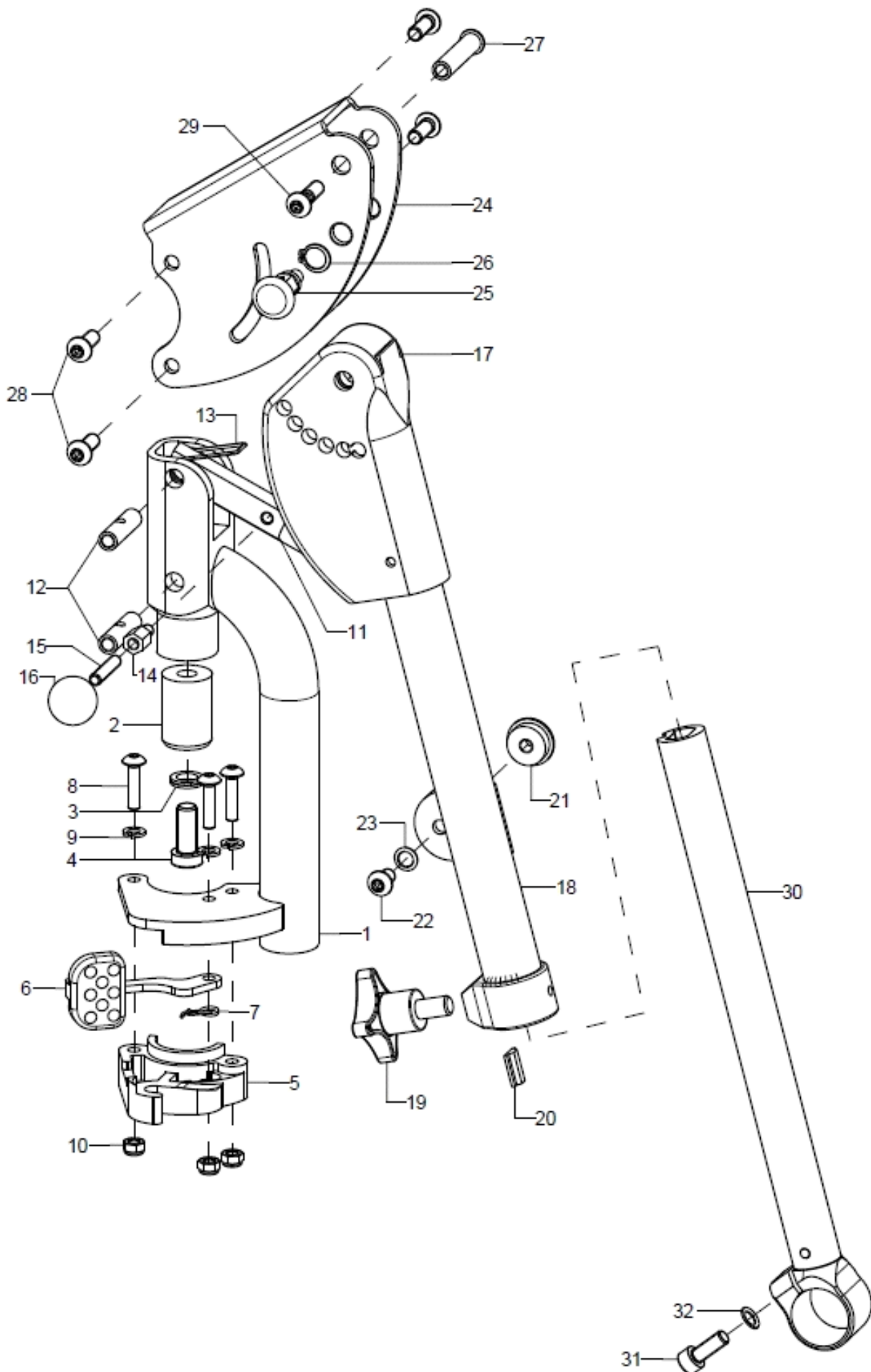
Leg support



pcs.	Q/1	item no.	Product name:	Variant:	drawing no.
1-20	1	403612	leg support divided, folds up sideways, outer attachment, complete		XXXXXXXXXXXX
1	1	40361000	foot plate 8mm divided right		40.36.10.XX.02.74
2	1	40361100	foot plate 8mm divided left		40.36.10.XX.02.74
3-7	2	40361020	adjustment unit divided incl. grid		40.36.10.30.00.74
4	2		lens head screw with hexagon socket ISO 7380 - M6x8		01.42.08.47.65.00
5	2		lock washer S6		02.99.10.60.01.10
6	2		fitted washer DIN 988 - 6x12x0,5 - A2		02.68.06.00.50.30
7	1	40360102	raster part for foot plate		40.36.01.02.00.74
8-11	1	40360299	mounting set adjustment piece		XXXXXXXXXXXX
8	2		counter sunk screw with hexagon socket DIN 7991 M6x16		01.65.08.52.02.40
9	2		washer reinforced Ø14/6,2x2		58.30.15.01.00.24
10	3		hexagon nut self-locking low form DIN 985 - M6		02.32.00.60.01.20
11	1		counter sunk screw with hexagon socket DIN 7991 M6x75/8		01.65.08.67.02.41
12-13	2	40360205	joint for divided leg support incl. plug		40.36.10.31.00.74
13	1		plugs for tube Ø25x1-2, black		04.63.10.25.00.10
14+16+	1	40360121	leg support tube glued 235 mm left, incl. mounting screws		40.36.01.15.21.74
17					
o.B.	1	40360131	leg support tube glued 305 mm left, incl. mounting screws		40.36.01.15.31.74
15-17	1	40360122	leg support tube glued 235 mm right, incl. mounting screws		40.36.01.15.22.74
o.B.	1	40360132	leg support tube glued 305 mm right, incl mounting screws		40.36.01.15.32.74
16	1		cylinder screw DIN 912 M6x16		01.22.08.52.62.40
17	1		lock washer S6		02.99.10.60.01.10
18-20	2	40390299	mounting set leg support tube		40.39.02.99.90.00
18	1		bushing M6x19,5		40.39.01.04.50.69
19	1		lens head screw with hexagon socket ISO 7380 - M6x10		01.42.08.48.65.00
20	1		lens head screw with hexagon socket ISO 7380 - M6x12		01.42.08.49.65.00

Die geeigneten Fußauflagen inklusive Halterungen finden Sie unter dem Kapitel „Beinstütze geteilt, nach außen abschwenkbar und abnehmbar“

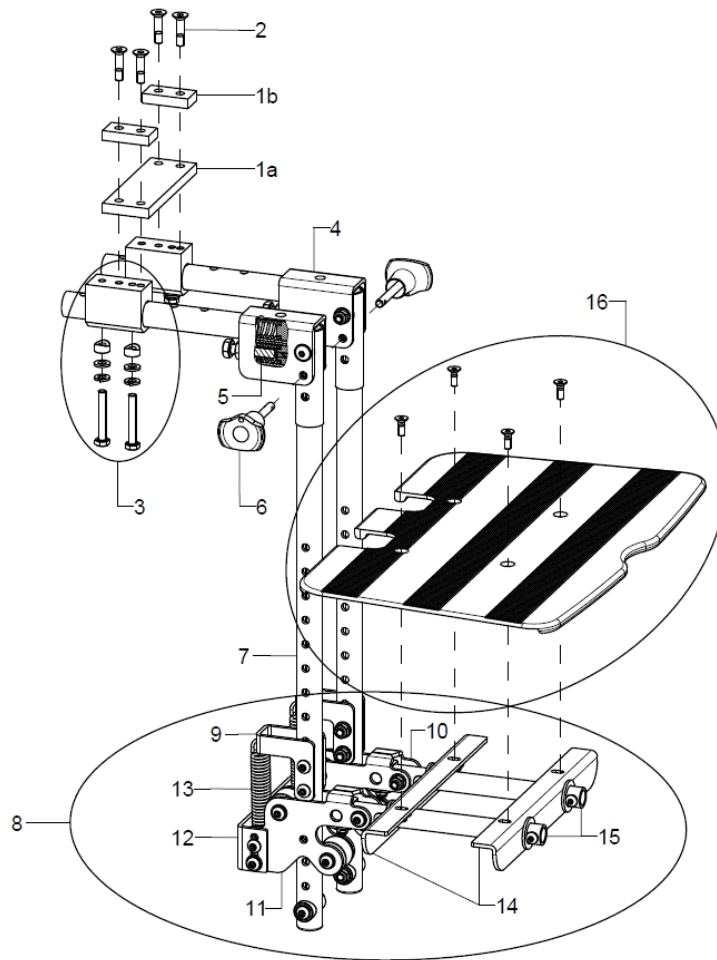
Leg support



pcs.	Q/1	item no.	Product name:	Variant:	drawing no.
1-30	1	40370502			
o.B.	1	40370501			
1	1	40371002			40.37.06.10.02.75
o.B.	1	40371001			40.37.06.10.01.75
2-4	1	40370617			40.37.06.17.00.75
3	1				02.99.20.70.01.10
4	1				01.24.09.74.05.00
5-10	1	40370122			40.37.01.04.02.75
o.B.	1	40370121			40.37.01.04.01.75
6	1				40.37.01.08.00.75
7	1				40.37.01.09.02.75
o.B.	1				40.37.01.09.01.75
8	3		lens head screw with hexagon socket ISO 7380 - M5x20		01.42.07.94.65.00
9	3		spring ring DIN 127 - A 5		02.85.30.50.05.10
10	3		hexagon nut self-locking low form DIN 985 - M5		02.32.00.50.01.20
11-16	1	40370623			40.37.06.23.00.75
12	2		thread bushing M6x29,5		40.37.06.24.00.75
13	1		leg spring double arm		40.37.06.26.00.75
14	1		distance hexagon thread 6/8 M5x10		02.47.20.78.72.10
15	1		setscrew with hexagon socket DIN 913, M6x8		01.67.08.47.61.20
16	1		ball knob DIN 319 Ø20/M5, form C, black		04.06.12.00.50.40
17-20	1	40370627			
17	1	40370622			40.37.06.22.00.75
18-20	1	4037060502			40.37.06.01.02.75
o.B.	1	4037060501			40.37.06.01.01.75
altern.	1				40.37.06.05.02.75
o.B.	1				40.37.06.05.01.75
19-20	1	40370521			
19	1		cross handle M8x14		04.05.24.73.14.40
20	1		clamp piece		40.37.05.21.00.75
21-23	1				40.30.10.04.00.75
22	1		lens head screw with hexagon socket ISO 7380 - M6x10		01.42.08.48.65.00
23	1		lock washer S6		02.99.10.60.01.10
24-29	1	40370621			40.37.06.21.00.75
25	1	690101	latch ø6/M10x1x31 with lock		04.14.43.60.02.00
26	1		lock ring 10, DIN 471		03.01.01.00.93.00
27	1		bushing M6x36		40.37.06.25.99.75
28	6		lens head screw with hexagon socket ISO 7380 - M6x16		01.42.08.52.65.00
29	1		lens head screw with hexagon socket ISO 7380 - M6x22 Tuflock spot		01.66.08.55.92.60
30	1	40370526	leg support tube glued, long(BSH)		40.37.05.25.23.75
altern.	1	40370525			40.37.05.25.30.75
31	1		cylinder screw DIN 912 M6x16		01.22.08.52.62.40
32	1		lock washer S6		02.99.10.60.01.10

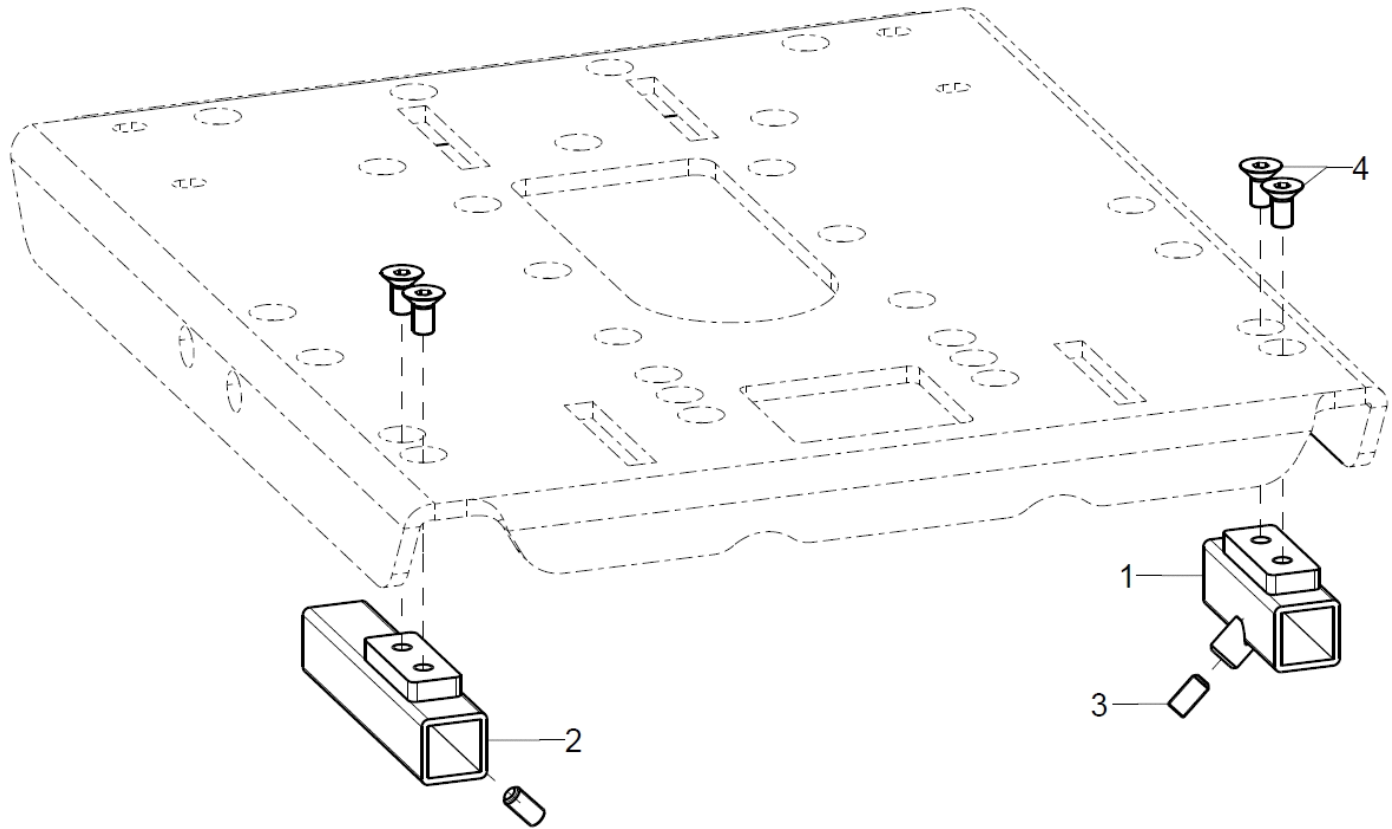
Die geeigneten Fußauflagen inklusive Halterungen finden Sie unter dem Kapitel „Beinstütze geteilt, nach außen abschwenkbar und abnehmbar“

Leg support



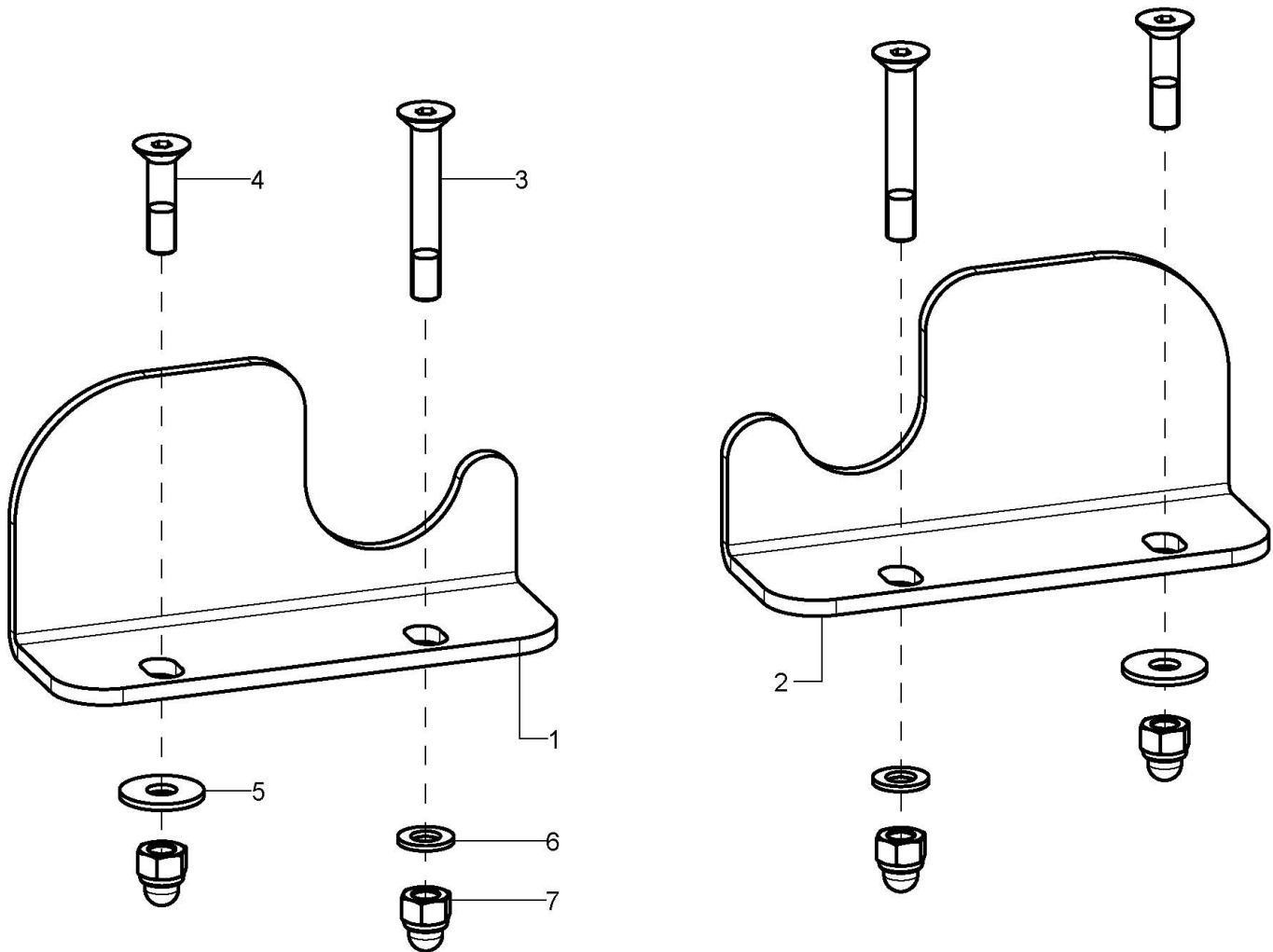
pcs.	Q/1	item no.	Product name:	Variant:	drawing no.
1-16	1	4053	leg support dynamic Genex - sprung on the flexible knee angle		
1-3	1		leg support intake divided		
1a	1				40.55.02.01.00.76
1b	2				40.55.02.02.00.76
2	4		counter sunk screw with hexagon socket DIN 7991 M6x25		01.65.08.56.02.40
3	2				40.55.03.08.00.76
4-5	2	405303	leg support tube black, with spring intake and springs in the knee angle for Genex leg support		40.53.02.02.00.24
5	4	405312	pressure spring 2,5x12,5x22 in the knee angle for dynamic leg support		04.21.01.50.22.00
6	2	405310	ball lock pin 6x30 with red button		04.14.10.60.33.10
7	2	405302	leg support tube 500mm, with stainless steel bushing for Genex leg support		40.53.02.01.00.24
8	1	405201	holder for foot plate complete for dynamic leg support		
9	2	405205	spring holder top for dynamic leg support		40.52.05.00.00.24
10	1	40520601	intake left, stainless steel for dynamic leg support		40.52.06.00.01.24
11	1	40520602	intake right, stainless steel for dynamic leg support		40.52.06.00.02.24
12	1	40520801	connection black for dynamic leg support incl. mounting set		40.52.08.01.00.24
13	2	405212	tension spring 2,2x15x74,2 for dynamic leg support		04.22.01.50.74.00
14	2	40520902	holder for foot plate dynamic leg support		40.52.09.02.00.24
15	2	405207	foot plate tube, black for dynamic leg support		40.52.07.00.00.24
16	1	405203			40.53.05.00.00.00

Leg support adapter universal



pcs.	Q/1	item no.	Product name:	Variant:	drawing no.
1+3-4	2	40550800			40.55.10.05.01.76
2-4	1P	40550700			40.55.07.01.00.76
3	2		setscrew with hexagon socket DIN 913, M6x12		01.67.08.49.61.20
4	4		counter sunk screw with hexagon socket DIN 7991 M6x12		01.65.08.49.02.40

Heel edge

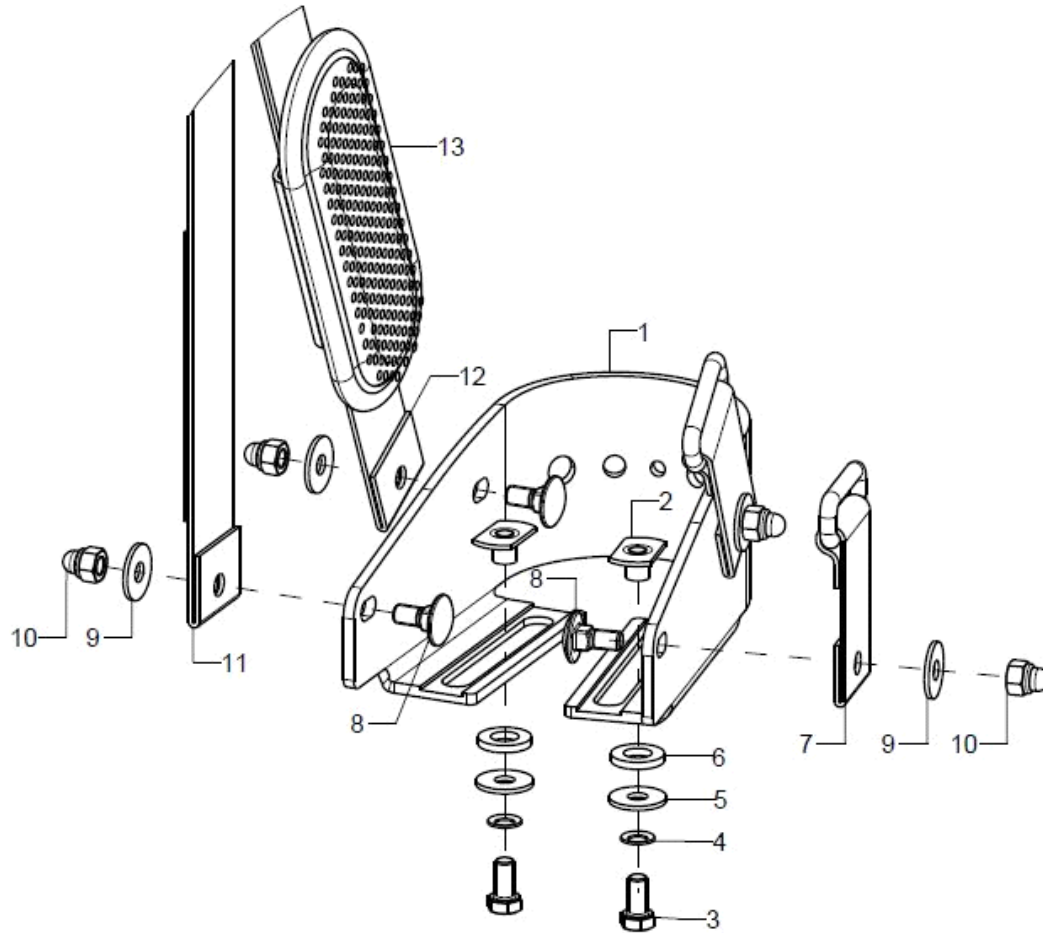


pcs.	Q/1	item no.	Product name:	Variant:	drawing no.
1-7	1P	405509			
1+3-7	1	40551012			40.55.10.01.12.76
2-7	1	40551011			40.55.10.01.11.76
o.B.	1	40551022			40.55.10.01.22.76
o.B.	1	40551021			40.55.10.01.21.76
o.B.	1	40551032			40.55.10.01.32.76
o.B.	1	40551031			40.55.10.01.31.76
o.B.	1	40551042			40.55.10.01.42.76
o.B.	1	40551041			40.55.10.01.41.76
3	1		counter sunk screw with hexagon socket DIN 7991 M5x35		01.65.07.99.05.00
4	1		counter sunk screw with hexogon socket DIN 7991 M5x20		01.65.07.94.05.00



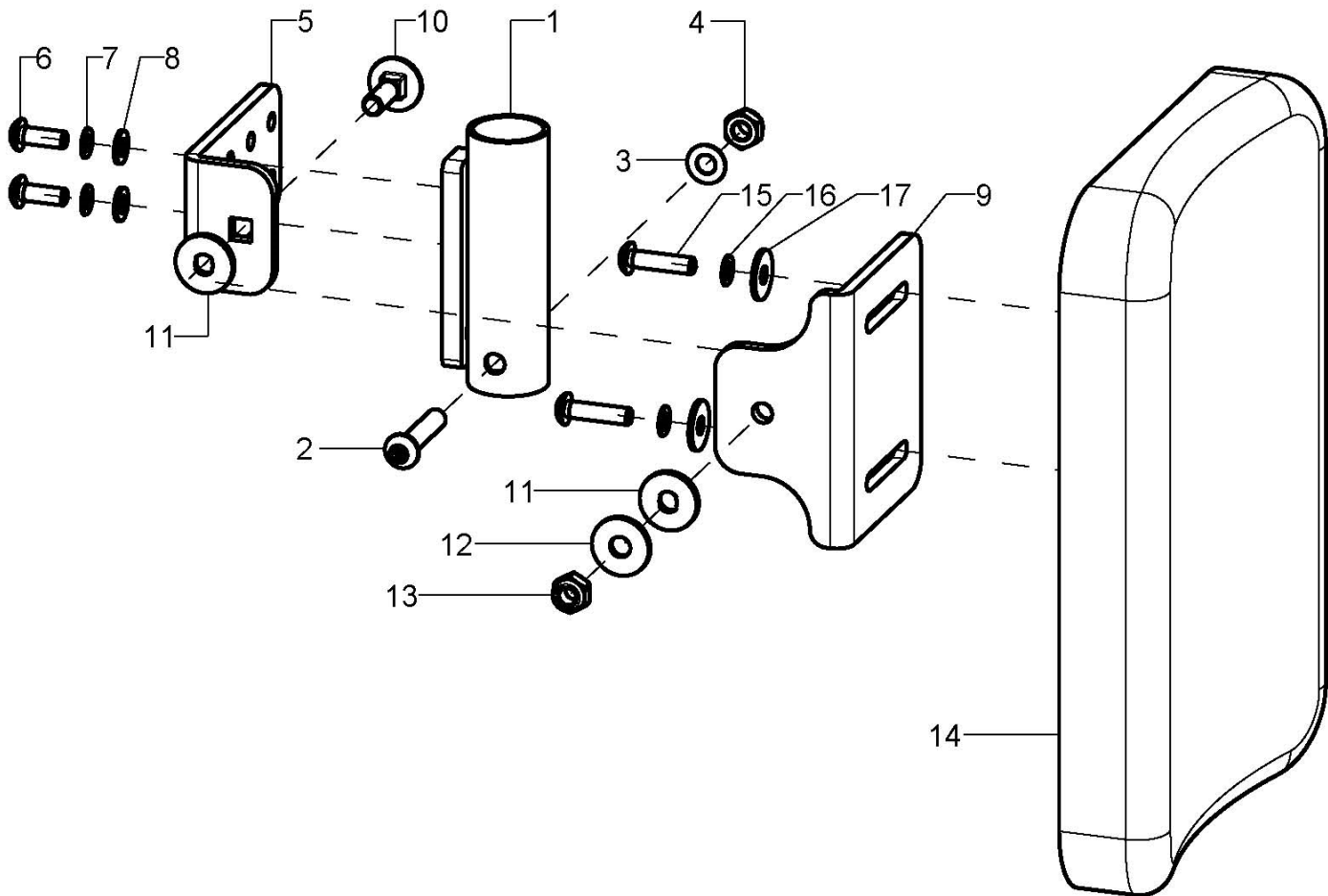
5	1	washer DIN 125 - A 5,3	02.61.05.31.01.20
6	1	washer DIN 9021 - M5	02.79.05.31.20.20
7	2	hexagon cap nut low form with clamp DIN 986 - M5	02.33.00.60.21.20

Heel support



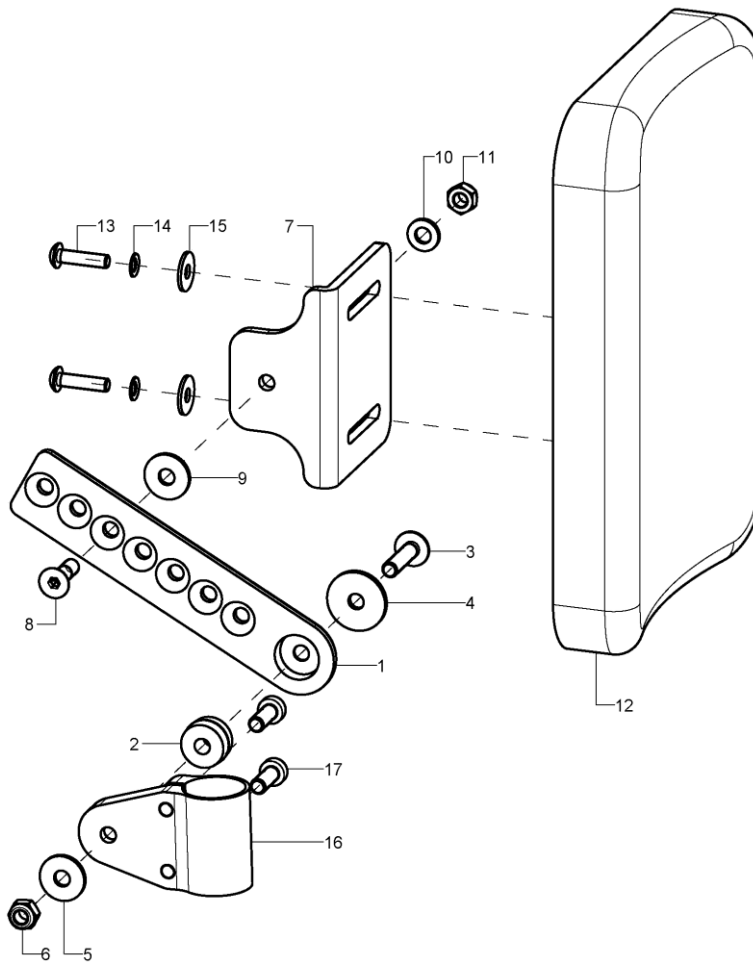
pcs.	Q/1	item no.	Product name:	Variant:	drawing no.
1-6	2	40551501			40.55.15.01.00.76
altern.	2	40551502			40.55.15.02.00.76
altern.	2	40551503			40.55.15.03.00.76
2	1		weld nut C- M5x7,5		02.49.33.03.00.10
3	1				01.04.07.88.02.40
4	1		lock washer S5		02.99.10.50.01.10
5	1		washer DIN 9021 -6,4		02.79.06.41.60.20
6	1				02.83.07.42.00.80
7-13	2	40201501			
altern.	2	40201502			
altern.	2	40201503			

Calf rest



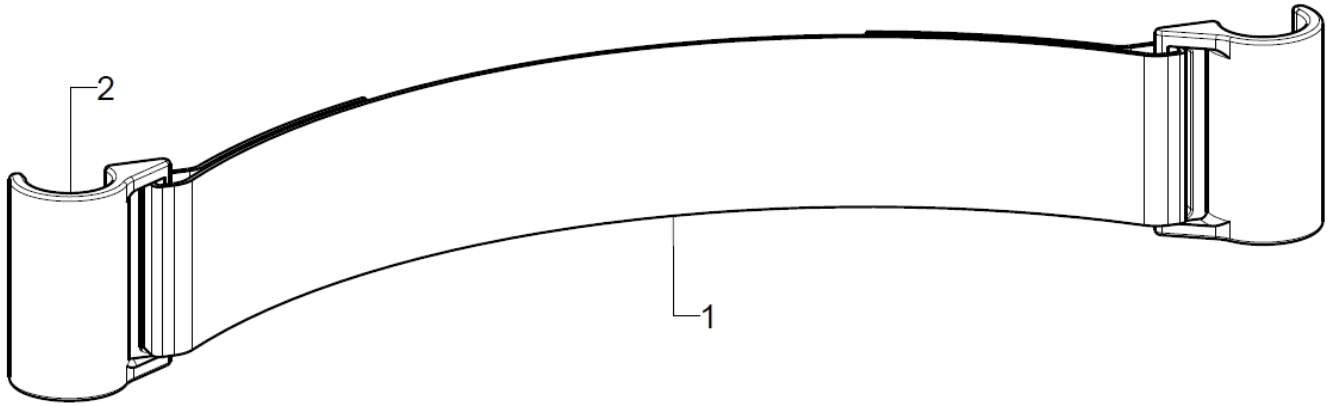
pcs.	Q/1	item no.	Product name:	Variant:	drawing no.
1-17	1	403005			XXXXXXXXXXXX
1-4	1	40300602			40.30.06.02.00.10
2	1		lens head screw with hexagon socket ISO 7380 - M6x30		01.42.08.58.65.00
3	1		fitted washer DIN 988 - 6x12x0,5 - A2		02.68.06.00.50.30
4	1		hexagon nut self-locking low form DIN 985 - M6		02.32.00.60.01.20
5-8	1	40300603	angle adjustment incl. mounting set		40.30.06.03.00.10
6	2		lens head screw with hexagon socket ISO 7380 - M5x14		01.42.07.90.65.00
7	2		lock washer S5		02.99.10.50.01.10
8	2		washer DIN 125 - A 5,3		02.61.05.31.01.20
9-13	1	40300604	angle holder incl. mounting set		40.30.06.04.00.10
10	1		round-head screw DIN 6003 M6x20		01.11.08.54.00.40
11	2		washer DIN 9021- 6,4- PA		02.79.06.41.60.70
12	1		washer DIN 9021 -6,4		02.79.06.41.60.20
13	1		hexagon nut self-locking low form DIN 985 - M6		02.32.00.60.01.20
14-17	1	40300610	calf rest 150x120x30 PU black incl. mounting set		04.65.09.15.13.20
o.B.	1	40300611	calf rest 230x170x30 PU black incl. mounting set		04.65.09.22.15.20
15	2		lens head screw with hexagon socket ISO 7380 - M5x20		01.42.07.94.65.00
16	2		lock washer S5		02.99.10.50.01.10
17	2		washer DIN 9021 - M5		02.79.05.31.20.20

Calf rest



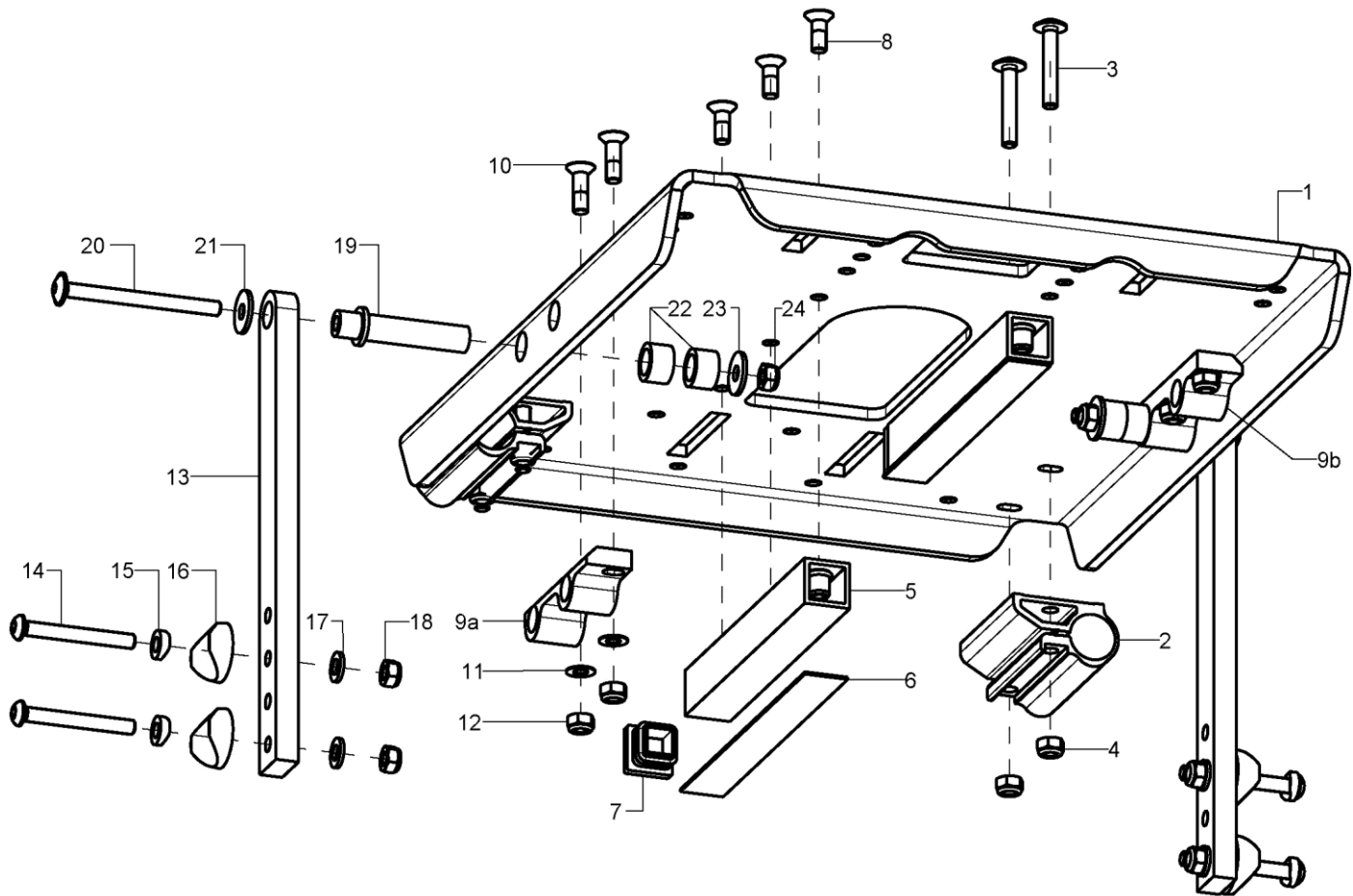
pcs.	Q/1	item no.	Product name:	Variant:	drawing no.
1-15	1	403006			
1-6	1	40301003			40.30.10.01.00.75
2	1				40.24.01.02.00.54
3	1		lens head screw with hexagon socket M6x25		01.43.08.56.65.00
4	1		washer 23,5x6,2x2 black anodized		58.67.01.07.00.67
5	1		washer DIN 9021 -6,4		02.79.06.41.60.20
6	1		hexagon nut self-locking low form DIN 985 - M6		02.32.00.60.01.20
7-11	1	40300604	angle holder incl. mounting set		40.30.06.04.00.10
8	1		counter sunk screw with hexagon socket DIN 7991 M6x20		01.65.08.54.02.40
9	1		washer DIN 9021- 6,4- PA		02.79.06.41.60.70
10	1		washer DIN 125 - A 6,4		02.61.06.41.41.20
11	1		hexagon nut self-locking low form DIN 985 - M6		02.32.00.60.01.20
12-15	1	40300610	calf rest 150x120x30 PU black incl. mounting set		04.65.09.15.13.20
o.B.	1	40300611	calf rest 230x170x30 PU black incl. mounting set		04.65.09.22.15.20
13	2		lens head screw with hexagon socket ISO 7380 - M5x20		01.42.07.94.65.00
14	2		lock washer S5		02.99.10.50.01.10
15	2		washer DIN 9021 - M5		02.79.05.31.20.20
16-17	1	40550609			40.55.06.09.00.76
17	2		cylinder screw, low head DIN 7984-M6x16		01.24.08.52.05.00

Calf belt



pcs.	Q/1	item no.	Product name:	Variant:	drawing no.
1-2	1	4041			
1	1	404108			40.41.03.XX.00.10
2	2	404106			40.41.06.01.00.10

seat, complete

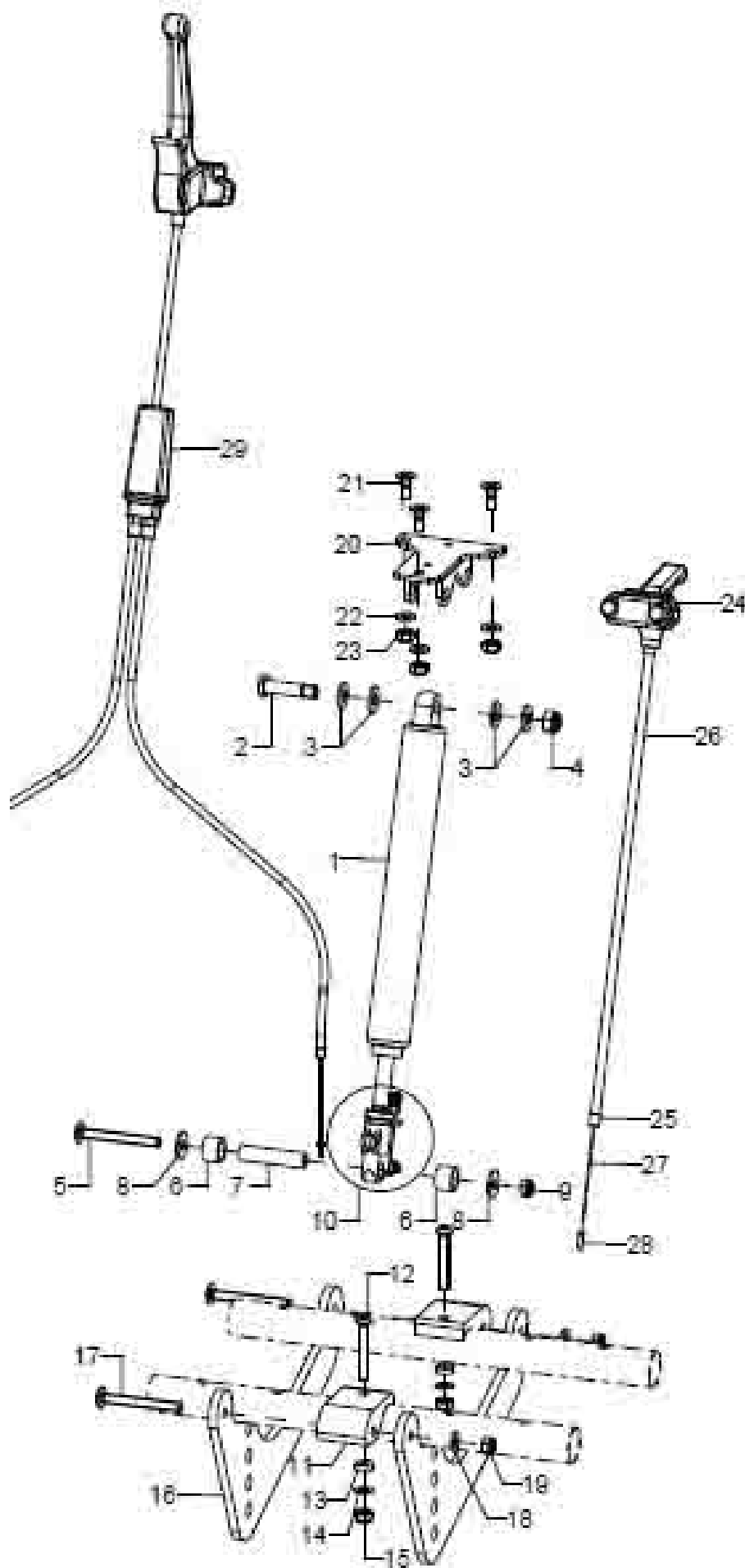


pcs.	Q/1	item no.	Product name:	Variant:	drawing no.
1	1	19270100			19.27.01.01.00.76
o.B.	1	19270200			19.27.01.02.00.76
o.B.	1	19270300			19.27.01.03.00.76
2-4	2	60030105			60.03.01.05.00.76
3	2		lens head screw with hexagon socket M6x35		01.43.08.59.65.00
4	2		hexagon nut self-locking low form DIN 985 - M6		02.32.00.60.01.20
5-8	2	19270501			19.27.05.01.00.76
o.B.	2	19270502			19.27.05.02.00.76
o.B.	2	19270503			19.27.05.03.00.76
6	1				19.27.05.10.01.76
o.B.	1				19.27.05.10.02.76
o.B.	1				19.27.05.10.03.76
7	1		plugs 20x20		04.63.11.20.00.10



8	3		counter sunk screw with hexagon socket DIN 7991 M6x16	01.65.08.52.02.40
9a-12	1	19270306	bearing block size 2/3 right	19.27.03.03.02.76
9b-12	1	19270307	bearing block size 2/3 left	19.27.03.03.01.76
o.B.	2	19270305	bearing block size 1	19.27.03.02.00.76
10	2		counter sunk screw with hexagon socket DIN 7991 M6x20	01.65.08.54.02.40
11	2		fitted washer DIN 988 - 6x12x0,5 - A2	02.68.06.00.50.30
12	2		hexagon nut self-locking low form DIN 985 - M6	02.32.00.60.01.20
13-18	2	19270310		19.76.03.01.00.76
14	2		lens head screw with hexagon socket ISO 7380 - M6x50	01.42.08.62.65.00
15	2		saddle washer Ø12/6x2,5	35.04.16.01.00.10
16	2		saddle washer black ø 24/6	04.63.39.24.06.30
17	2		washer DIN 125 - A 6,4	02.61.06.41.41.20
18	2		hexagon nut self-locking low form DIN 985 - M6	02.32.00.60.01.20
19-24	2	19270311		19.27.03.05.00.76
20	1		lens head screw with hexagon socket M6x70	01.43.08.66.05.00
21	1		washer DIN 7349 - 6,4	02.77.06.53.00.20
22	2			19.27.03.04.00.76
23	1		washer DIN 9021 -6,4	02.79.06.41.60.20
24	1		hexagon nut self-locking low form DIN 985 - M6	02.32.00.60.01.20

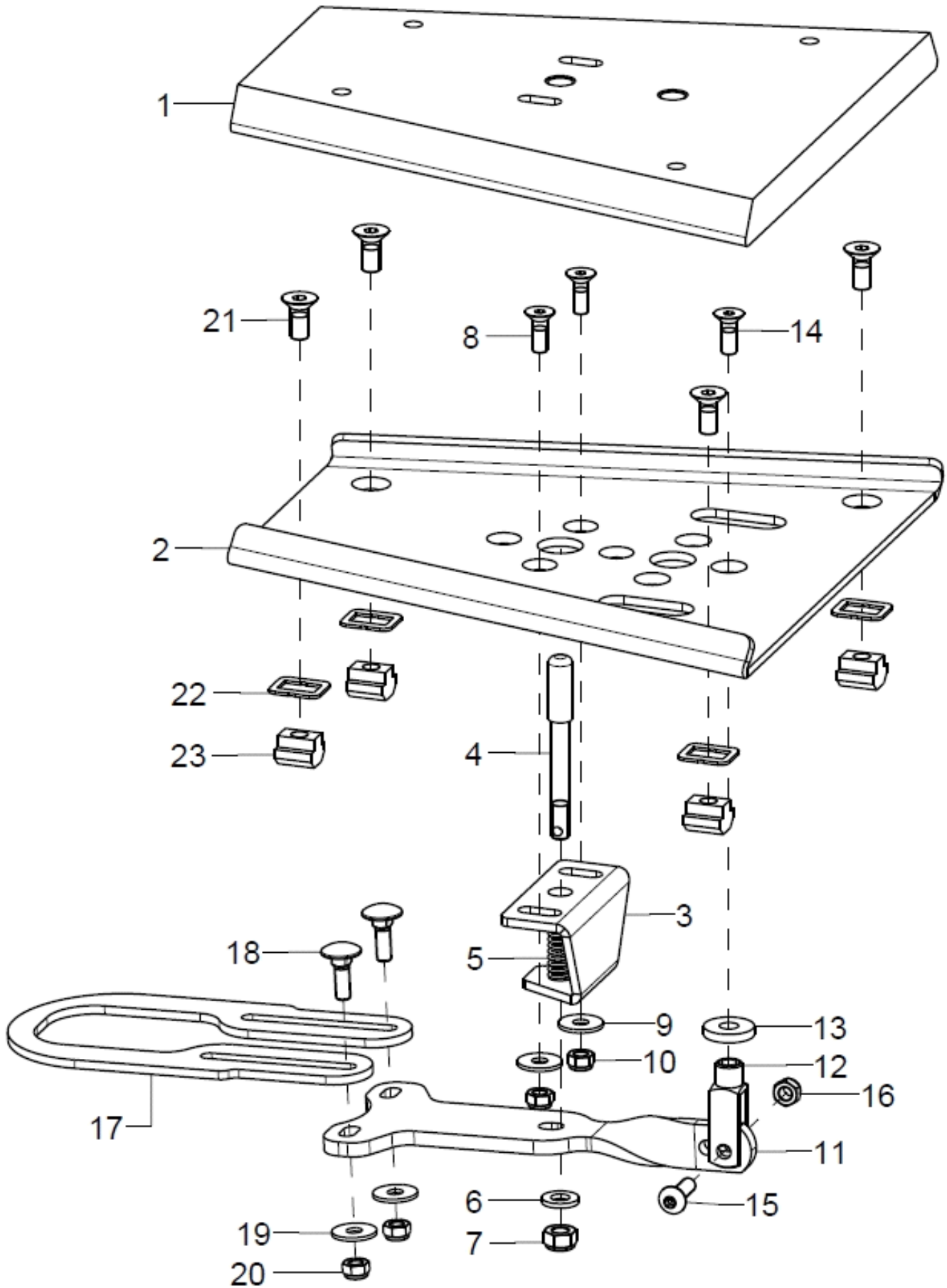
Gas pressure spring seat tilting





pcs.	Q/1	item no.	Product name:	Variant:	drawing no.
1+10	1	192501			04.27.09.20.00.60
2-4	1	190503	fitted bolt M8x35 SW13		19.05.03.10.00.28
3	4		washer DIN 125 - A 8,4 - PA black		02.61.08.41.61.71
4	1		hexagon nut self-locking low form DIN 985 - M8		02.32.00.80.01.20
5-9	1	192504			
5	1		lens head screw with hexagon socket M6x55		01.43.08.63.65.00
6	2				19.22.03.07.00.47
7	1				19.25.01.02.00.76
8	2		washer DIN 9021 -6,4		02.79.06.41.60.20
9	1		hexagon nut self-locking low form DIN 985 - M6		02.32.00.60.01.20
10	1	190521	gas pressure spring release knob		04.27.00.99.81.00
11-18	1	192505			XXXXXXXXXX
11-14	2(1)	19250104			19.25.01.04.00.76
o.B.	1				19.25.01.06.00.76
12	2		lens head screw with hexagon socket ISO 7380 - M6x40		01.42.08.60.65.00
13	2		saddle washer Ø12/6x2,5		35.04.16.01.00.10
14	2				02.68.06.00.30.30
15	2		hexagon nut self-locking low form DIN 985 - M6		02.32.00.60.01.20
16-19	2	19250103			19.25.01.03.00.76
17	2(1)		lens head screw with hexagon socket ISO 7380 - M6x55		01.42.08.63.65.00
o.B.	2				01.43.08.47.62.50
18	2(1)		washer DIN 125 - A 6,4		02.61.06.41.41.20
19	2(1)		hexagon nut self-locking low form DIN 985 - M6		02.32.00.60.01.20
20-23	1	192704			19.27.04.00.00.76
o.B.	1	192702			19.27.02.00.00.76
21	3		counter sunk screw with hexagon socket DIN 7991 M6x16		01.65.08.52.02.40
22	3		fitted washer DIN 988 - 6x12x0,5 - A2		02.68.06.00.50.30
23	3		hexagon nut self-locking low form DIN 985 - M6		02.32.00.60.01.20
24-28	1	190512	gas pressure spring release incl. mounting set		19.05.12.99.00.10
24	1	190513	hand release lever for gas pressure spring, not lockable		04.54.92.12.20.10
25-28	1	190514	bowden cable incl. cover and connection parts		19.05.14.99.00.71
25	2	352412	end bush metal ø5		04.54.91.50.10.41
26	1	352013	outer shell for Bowden cable black 150mm		04.54.91.21.53.00
27	1	190517	inner cable for gas pressure spring 1.3x2000		04.54.91.11.31.30
28	1	352005	end cap for inner Bowden cable ø1-1,5 mm		04.54.91.50.10.40
29	1	190502			04.54.91.80.40.11

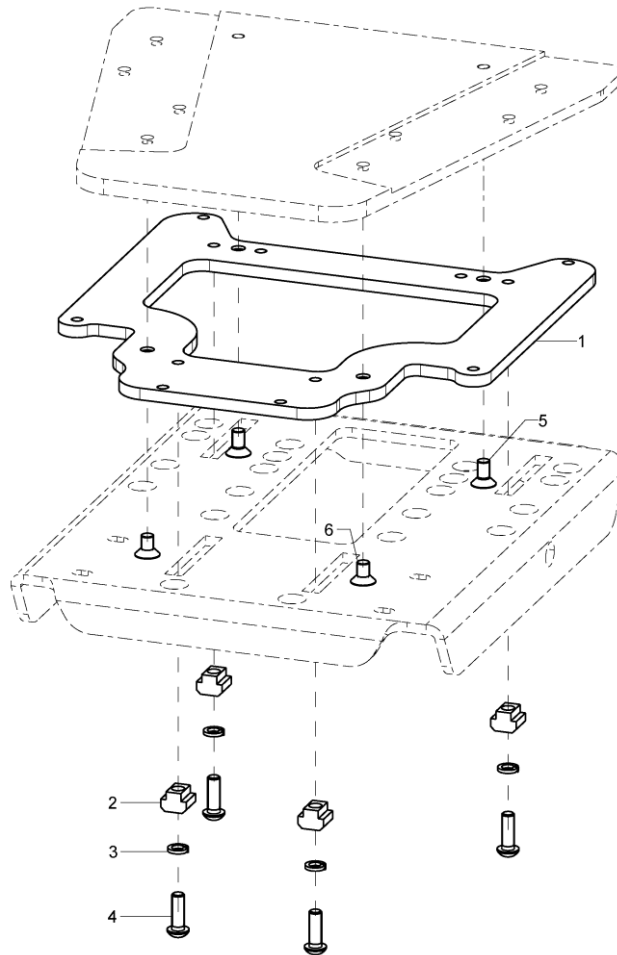
Seat shell adaptation





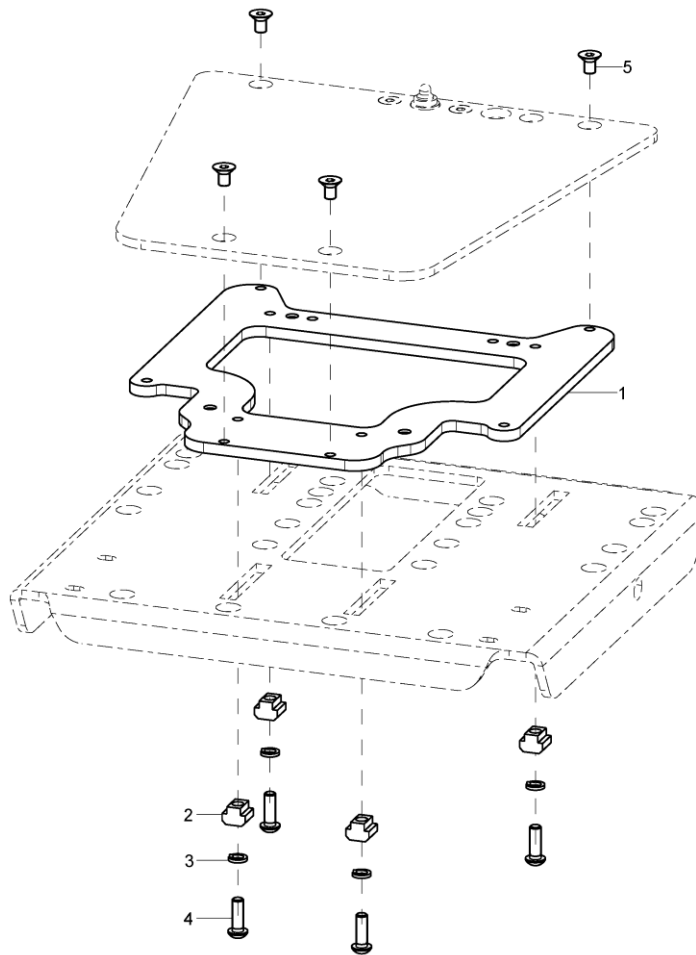
pcs.	Q/1	item no.	Product name:	Variant:	drawing no.
1-20	1	196420			19.64.01.99.00.76
o.B.	1	196421			19.64.02.99.00.76
1	1	196202			19.62.06.01.00.24
o.B.	1	1962			19.62.04.01.00.47
2-10	1	196315			
o.B.	1	196317			
2	1	196305			19.63.05.01.00.24
o.B.	1	196307			19.22.04.01.00.47
3-10	1	196306			19.63.01.01.00.28
4	1				19.63.02.01.00.28
5	1				04.21.00.70.35.00
6	1		washer DIN 125 - A 6,4		02.61.06.41.41.20
7	1		hexagon nut self-locking low form DIN 985 - M6		02.32.00.60.01.20
8	2		counter sunk screw with hexogon socket DIN 7991 M5x14		01.65.07.90.05.00
9	2		washer DIN 9021 - M5		02.79.05.31.20.20
10	2		hexagon nut self-locking low form DIN 985 - M5		02.32.00.50.01.20
11-16	1	19640100			19.64.01.03.00.76
o.B.	1	19640200			19.64.01.04.00.76
12	1				03.14.05.20.05.21
13	1		washer DIN 7349 - 6,4		02.77.06.53.00.20
14	1		counter sunk screw with hexogon socket DIN 7991 M5x14		01.65.07.90.05.00
15	1		lens head screw with hexogon socket ISO 7380 - M5x16		01.42.07.92.65.00
16	1		hexagon nut self-locking low form DIN 985 - M5		02.32.00.50.01.20
17-20	1	19640101			19.64.01.01.00.76
o.B.	1	19640201			19.64.01.02.00.76
18	2		round-head screw DIN 6003 M5x16 - 4.6 vz		01.11.07.92.00.40
19	2		washer DIN 9021 - M5		02.79.05.31.20.20
20	2		hexagon nut self-locking low form DIN 985 - M5		02.32.00.50.01.20
21-23	1	19640099			
21	4				01.65.08.50.02.40
22	4				40.85.01.07.00.59
23	4				02.06.06.06.08.10

Universal adapter Rehatec



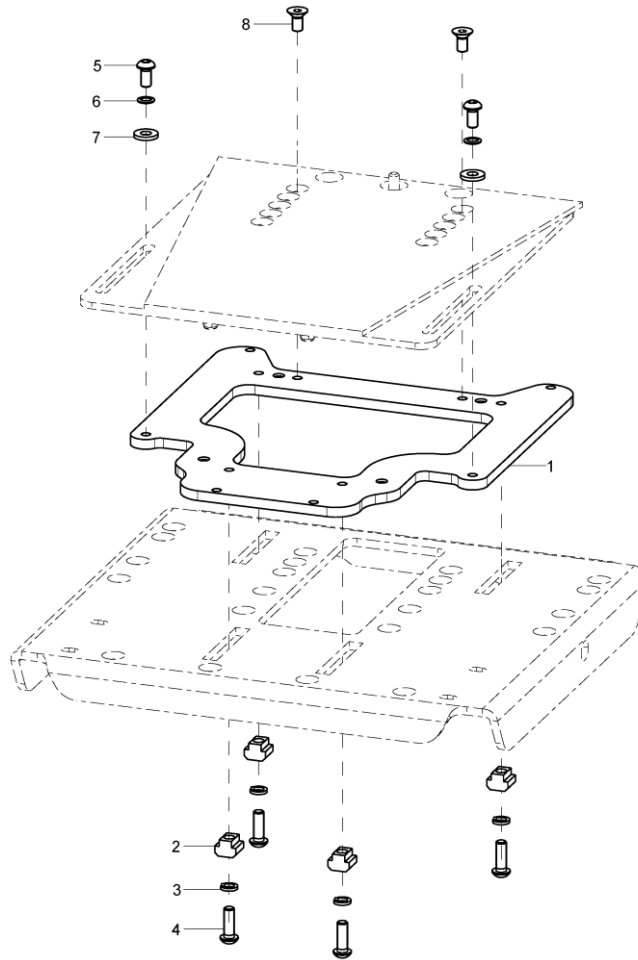
pcs.	Q/1	item no.	Product name:	Variant:	drawing no.
1-6	1	196401			XX.XX.XX.XX.XX.XX
1	1				19.64.05.01.00.76
2	4				19.64.05.03.00.76
3	4		spring ring DIN 127- A6		02.85.30.60.05.10
4	4		lens head screw with hexagon socket ISO 7380 - M6x18		01.42.08.53.05.00
5	2		counter sunk screw with hexogon socket DIN 7991 M6x12		01.65.08.49.02.40
6	2				01.65.08.48.02.40
1-6	1	196402			XX.XX.XX.XX.XX.XX
1	1				19.64.05.02.00.76
2	4				19.64.05.03.00.76
3	4		spring ring DIN 127- A6		02.85.30.60.05.10
4	4		lens head screw with hexagon socket ISO 7380 - M6x18		01.42.08.53.05.00
5	2		counter sunk screw with hexogon socket DIN 7991 M6x12		01.65.08.49.02.40
6	2		counter sunk screw with hexogon socket DIN 7991 M6x12		01.65.08.49.02.40

Universal adapter Schuchmann



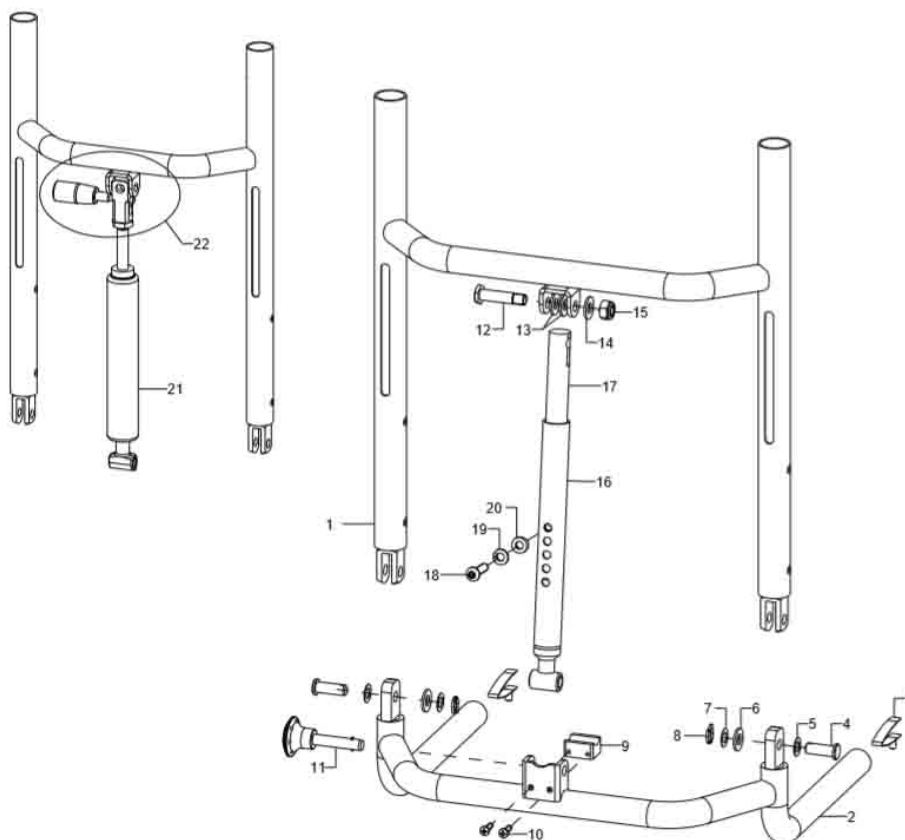
pcs.	Q/1	item no.	Product name:	Variant:	drawing no.
1-5	1	196403			XX.XX.XX.XX.XX.XX
o.B.	1	196404			XX.XX.XX.XX.XX.XX
1	1				19.64.05.01.00.76
o.B.	1				19.64.05.02.00.76
2	4				19.64.05.03.00.76
3	4		spring ring DIN 127- A6		02.85.30.60.05.10
4	4		lens head screw with hexagon socket ISO 7380 - M6x18		01.42.08.53.05.00
5	4				01.65.08.48.02.40

Universal adapter Berollka



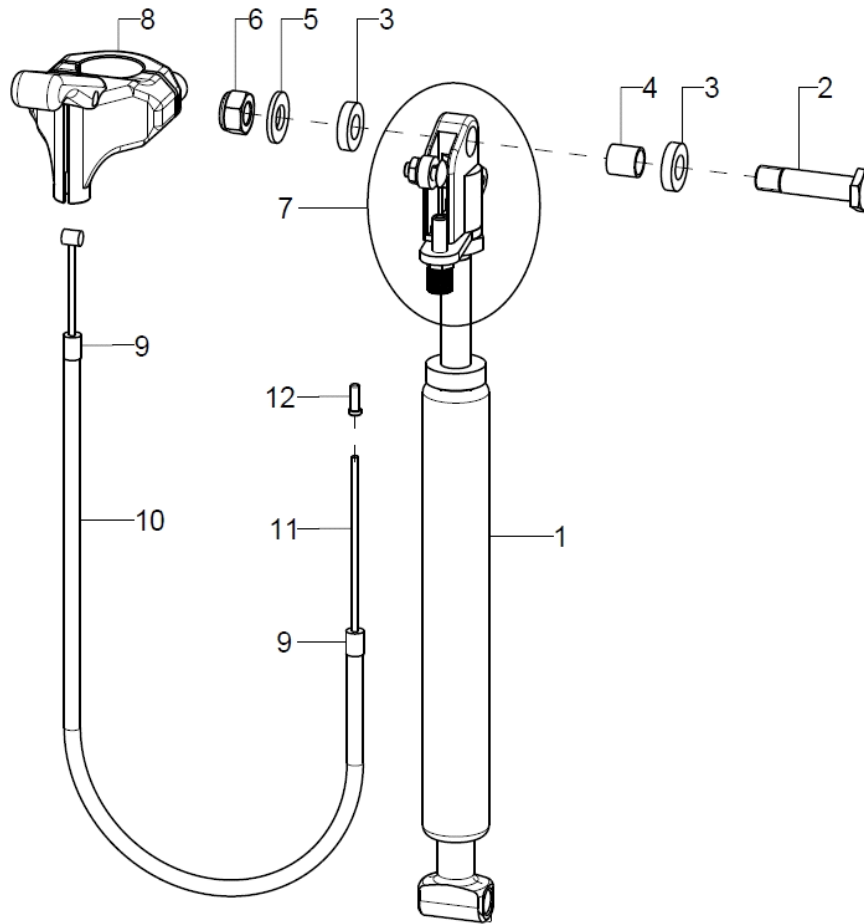
pcs.	Q/1	item no.	Product name:	Variant:	drawing no.
1-8	1	196405			XX.XX.XX.XX.XX.XX
o.B.	1	196406			XX.XX.XX.XX.XX.XX
1	1				19.64.05.01.00.76
o.B.	1				19.64.05.02.00.76
2	4				19.64.05.03.00.76
3	4		spring ring DIN 127- A6		02.85.30.60.05.10
4	4		lens head screw with hexagon socket ISO 7380 - M6x18		01.42.08.53.05.00
5	2		lens head screw with hexagon socket ISO 7380 - M6x12		01.42.08.49.65.00
6	2		lock washer S6		02.99.10.60.01.10
7	2		washer reinforced $\varnothing 14/6,2 \times 2$		58.30.15.01.00.24
8	2		counter sunk screw with hexagon socket DIN 7991 M6x12		01.65.08.49.02.40

Back, mechanically adjustable in angle



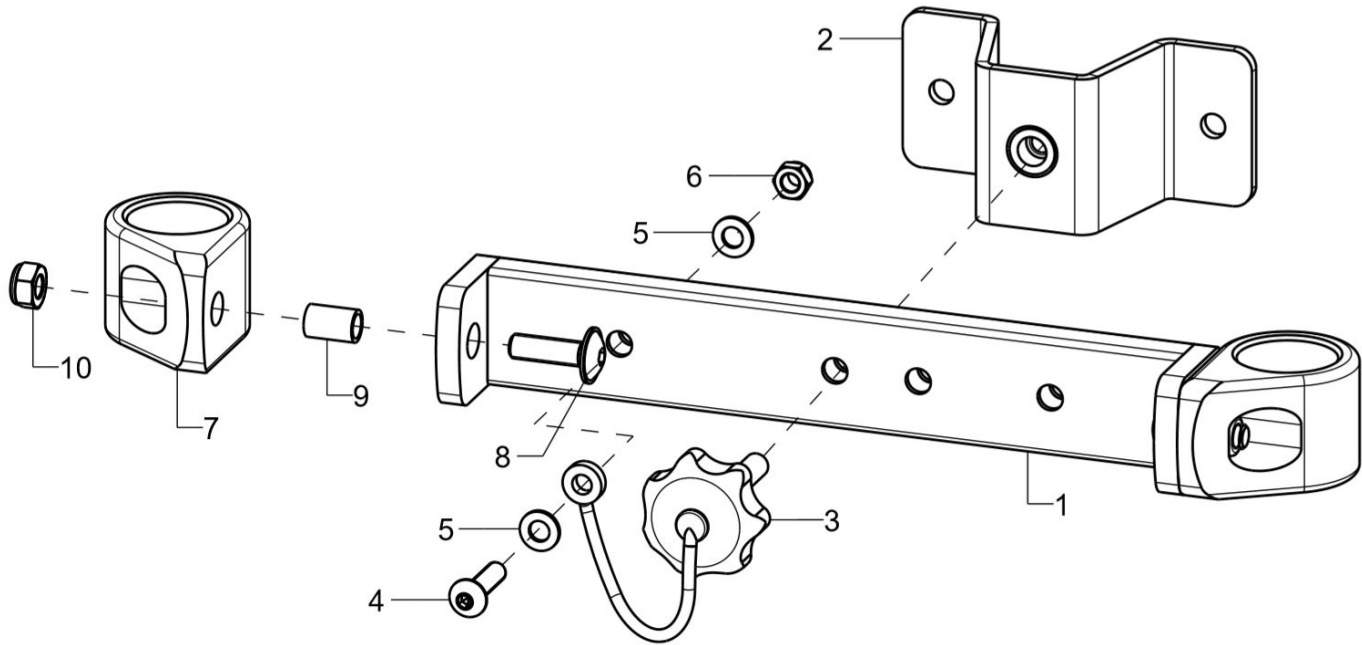
pcs.	Q/1	item no.	Product name:	Variant:	drawing no.
1	1	60030201			60.03.02.00.00.76
o.B.	1	60030203			600311000076
2-8	1	60030100			60.03.01.00.00.76
3	2	650160	locking unit for push handles		65.01.30.03.00.10
4	2				03.56.08.19.51.00
5	2				02.68.08.05.00.30
6	2		washer DIN 125 - A 8,4		02.61.08.41.41.20
7	2				02.68.08.03.00.30
8	2				03.46.02.20.01.00
9-10	1	60030803			60.03.08.01.00.76
10	2				01.29.07.29.75.00
11	1	60030810			04.14.10.80.33.10
o.B.	1				04.14.10.80.35.11
12-15	1	190503	fitted bolt M8x35 SW13		19.05.03.10.00.28
13	2		washer DIN 125 - A 8,4 - PA black		02.61.08.41.61.71
14	1		washer DIN 125 - A 8,4		02.61.08.41.41.20
15	1		hexagon nut self-locking low form DIN 985 - M8		02.32.00.80.01.20
16-20	1	60030701			
16	1				60.03.13.00.00.76
17-20	1				60.03.14.00.00.76
18	1		lens head screw with hexagon socket ISO 7380 - M6x25		01.42.08.56.65.00
19	1		spring ring DIN 127- A6		02.85.30.60.05.10
20	1		saddle washer Ø12/6x2,5		35.04.16.01.00.10
21	1	60030801			04.27.05.25.00.60
22	1	60030802			60.03.08.99.02.76

Gas pressure spring with self release



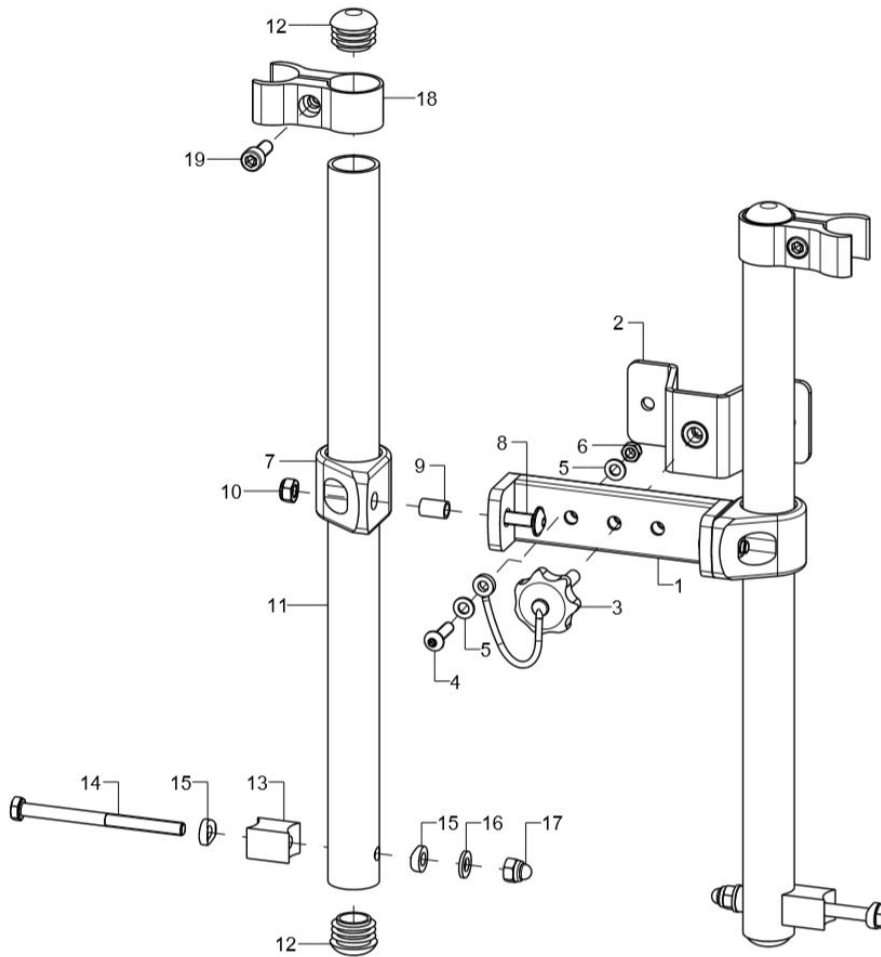
pcs.	Q/1	item no.	Product name:	Variant:	drawing no.
1	1	60030801			04.27.05.25.00.60
2-6	1	190503	fitted bolt M8x35 SW13		19.05.03.10.00.28
3	2				60.03.08.05.00.76
4	1				60.03.08.03.00.76
5	1		washer DIN 125 - A 8,4		02.61.08.41.41.20
6	1		hexagon nut self-locking low form DIN 985 - M8		02.32.00.80.01.20
7	1	190521	gas pressure spring release knob		04.27.00.99.81.00
8-12	1	600309			
8	1	190513	hand release lever for gas pressure spring, not lockable		04.54.92.12.20.10
9	1	352412	end bush metal $\varnothing 5$		04.54.91.50.10.41
10	1	352013	outer shell for Bowden cable black 150mm		04.54.91.21.53.00
11	1	190517	inner cable for gas pressure spring 1.3x2000		04.54.91.11.31.30
12	1	352005	end cap for inner Bowden cable $\varnothing 1-1,5$ mm		04.54.91.50.10.40

Back guiding standard



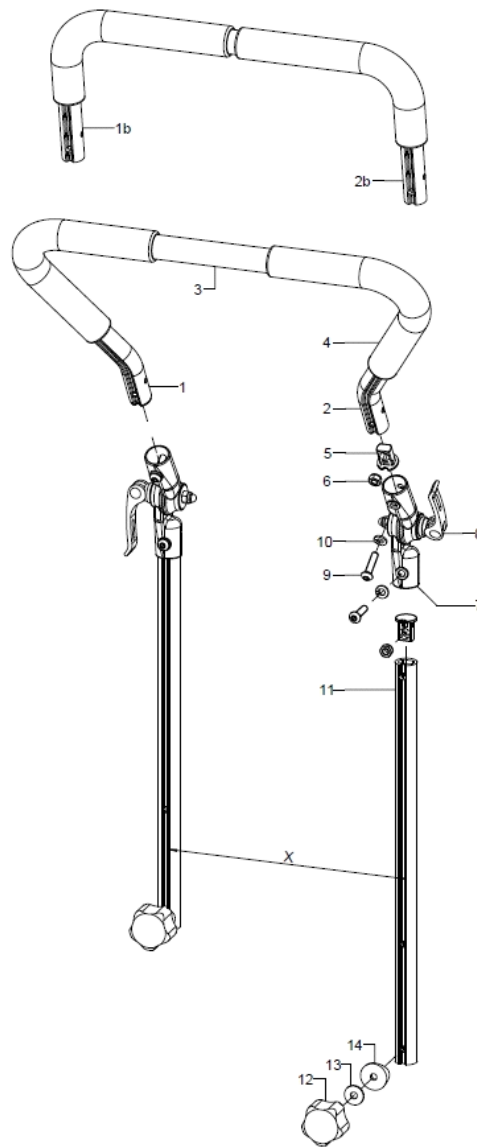
pcs.	Q/1	item no.	Product name:	Variant:	drawing no.
1-10	1	600310			
1	1	60031004			60.03.10.06.00.76
2-6	1	191004			19.10.02.02.00.47
3-6	1	60031006			04.05.47.62.25.30
4	1		lens head screw with hexagon socket ISO 7380 - M5x20		01.42.07.94.65.00
5	2		washer DIN 125 - A 5,3		02.61.05.31.01.20
6	1		hexagon nut self-locking low form DIN 985 - M5		02.32.00.50.01.20
7-10	2	60031007			60.03.10.03.00.76
o.B.	2	60031005			60.03.10.05.00.76
8	2		lens head screw with hexagon socket M6x20		01.43.08.54.65.00
9	2				35.00.14.01.00.10
10	2		hexagon nut self-locking low form DIN 985 - M6		02.32.00.60.01.20

Back guiding long



pcs.	Q/1	item no.	Product name:	Variant:	drawing no.
1-19	1	600311			
1	1	60031004			60.03.10.06.00.76
2-6	1	191004			19.10.02.02.00.47
3-6	1	60031006			04.05.47.62.25.30
4	1		lens head screw with hexagon socket ISO 7380 - M6x20		01.42.08.54.05.00
5	2		washer DIN 125 - A 5,3		02.61.05.31.01.20
6	1		hexagon nut self-locking low form DIN 985 - M5		02.32.00.50.01.20
7-10	2	60031007			60.03.10.03.00.76
8	2		lens head screw with hexagon socket M6x20		01.43.08.54.65.00
9	2				35.00.14.01.00.10
10	2		hexagon nut self-locking low form DIN 985 - M6		02.32.00.60.01.20
11-12	2	60031103			60.03.11.03.00.76
12	4		plugs for tube $\varnothing 22 \times 1-2$, black		04.63.10.22.00.10
13-17	1	60031104			60.03.11.04.00.76
14	2				01.03.08.68.02.40
15	4		saddle washer $\varnothing 12/6 \times 2,5$		35.04.16.01.00.10
16	2		washer DIN 125 - A 6,4		02.61.06.41.41.20
17	2		hexagon cap nut low form with clamp DIN 986 - M6		02.33.00.60.11.20
18-19	2	60031105			60.03.11.05.00.76
19	1				01.22.08.50.62.40

Push bow, adjustable



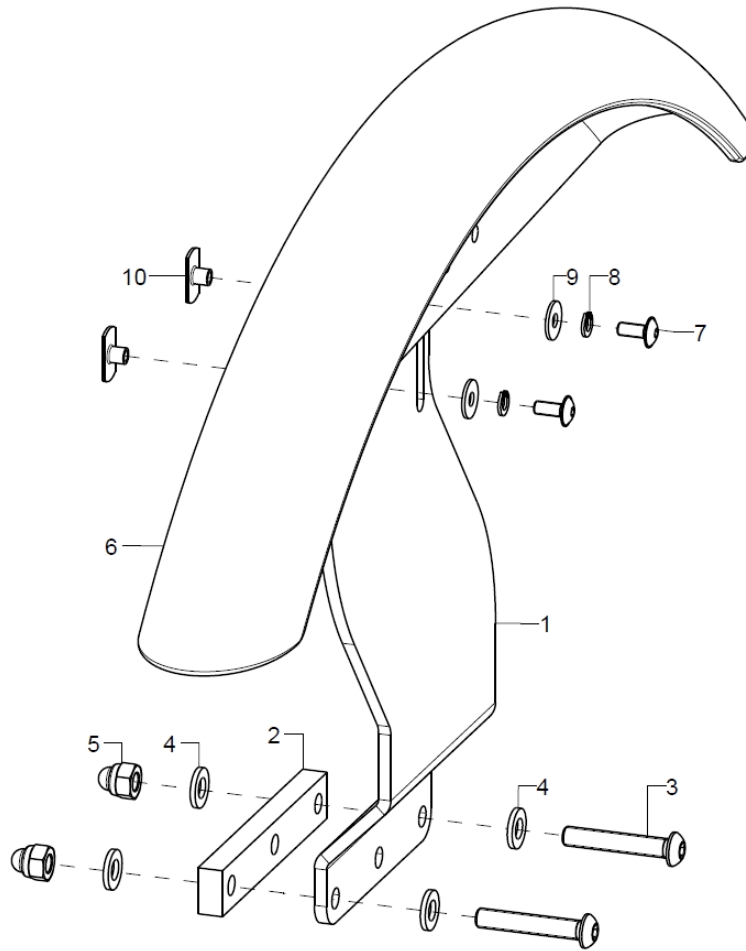
pcs.	Q/1	item no.	Product name:	Variant:	drawing no.
1-14	1	653100			XX.XX.XX.XX.XX.XX
1-4	1	653002	push bail cropped pre-assembled		XX.XX.XX.XX.XX.XX
1b+2b+3+4	1	653001	push bail 90° pre-assembled for SW 40 – 46 when push handle clamp holder is mounted to the back tube		XXXXXXXXXXXX
1	1	653006	push bail left part		65.30.01.02.01.47
1b	1	653009	push bail, bend part- 20x150x150, left		65.34.00.02.01.66
2	1	653007	push bail right part		65.30.01.02.02.47
2b	1	653010	push bail, bend part- 20x150x150, right		65.34.00.02.02.66
3	1	653004	steel tube incl. riveting		65.30.01.04.00.24
4	2	653005	tube cover - rubber 260 mm		65.30.03.01.00.47
5	4	653406	plug for nut M6 incl hexagon nut		65.22.20.10.00.00
6	4		hexagon nut self-locking low form DIN 985 - M6		02.32.00.60.01.20
7-10	2	652220	angle adjusting element metal 307° compl with eccentric clamp and mounting set		65.22.20.99.00.10
8	1	652224	eccentric clamp length 35 mm M6x20, black (incl. spring, nut, washer, bush)		65.22.24.99.00.76
9	2		lens head screw with hexagon socket ISO 7380 - M6x25		01.42.08.56.65.00
10	2		spring ring DIN 127- A6		02.85.30.60.05.10
11-14	2	653105			65.31.03.01.00.76



o.B.	2	653107	65.31.03.01.02.76
12-14	2	653106	04.05.47.24.25.30
13	2	washer DIN 9021 -6,4	02.79.06.41.60.20
14	2	saddle washer black ø 24/6	04.63.39.24.06.30

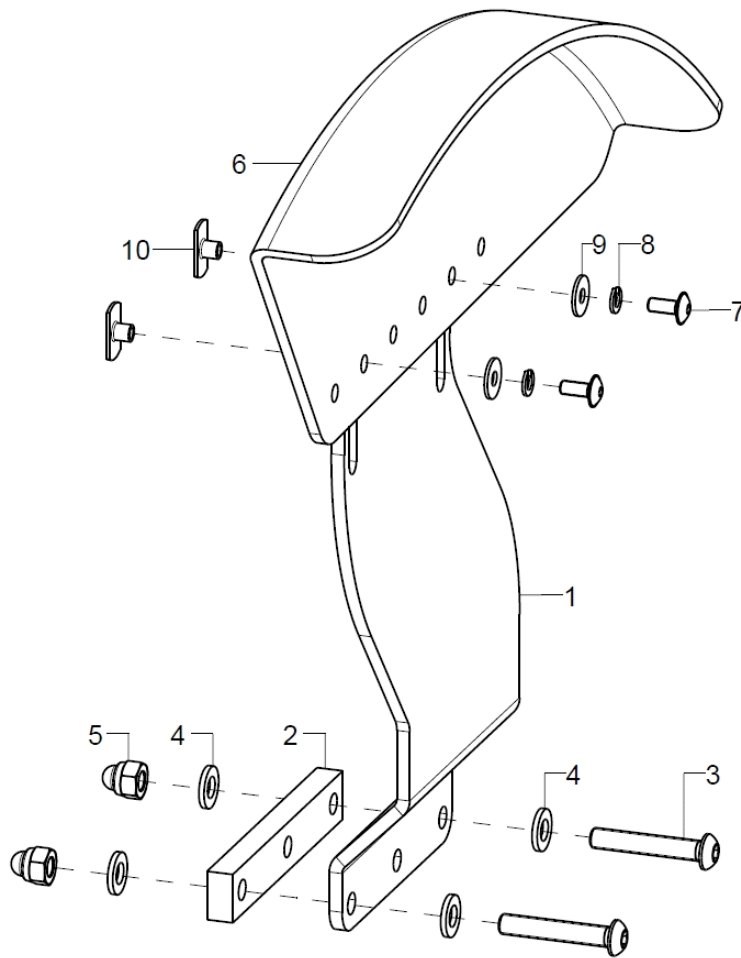
Wheel cover

Not for 12 inches rear wheels



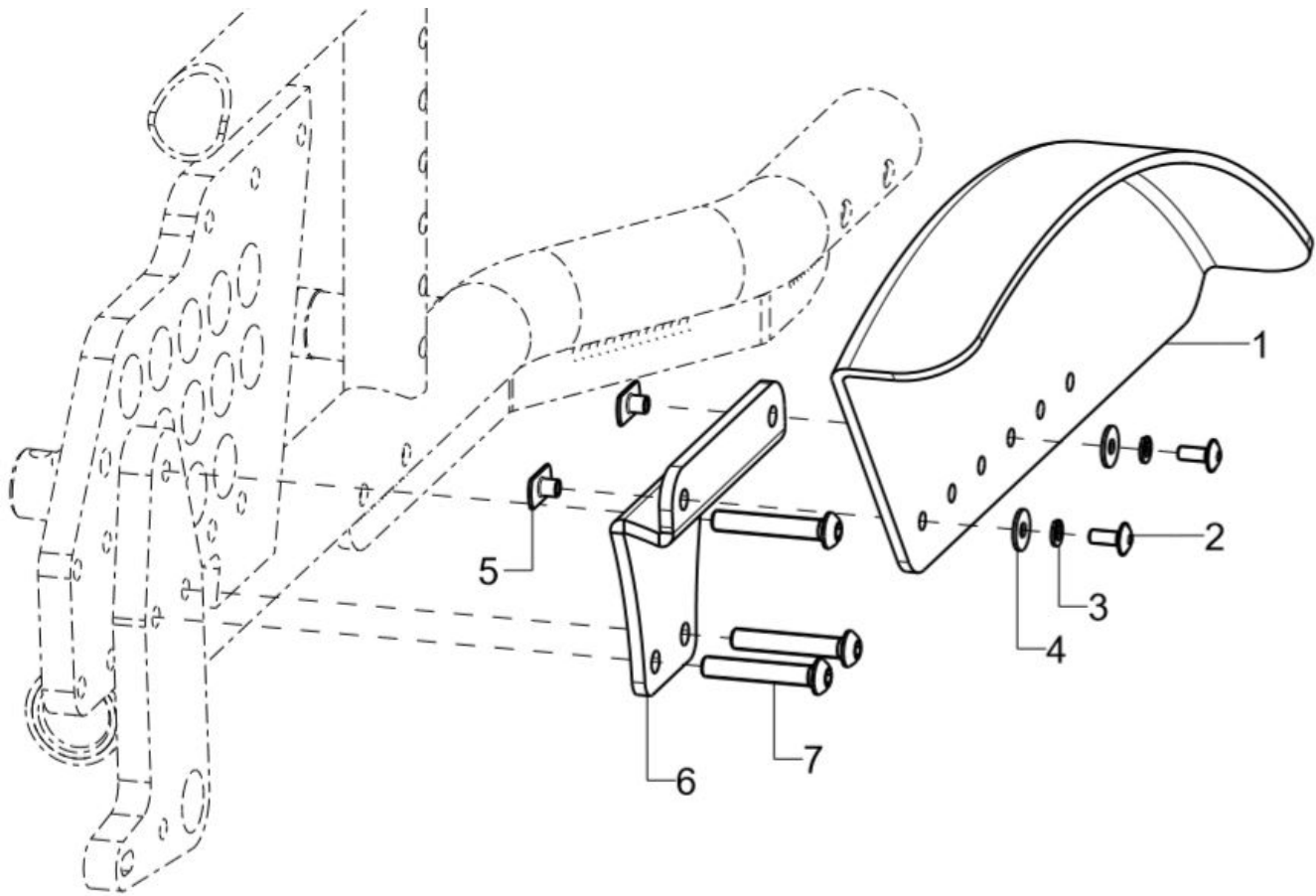
pcs.	Q/1	item no.	Product name:	Variant:	drawing no.
1-5	1P	521002			52.10.01.01.00.76
altern.	1P	521004			52.10.01.02.00.76
2	1				52.10.01.06.00.76
3	2		lens head screw with hexagon socket ISO 7380 - M6x35		01.42.08.59.65.00
4	4		washer DIN 125 - A 6,4		02.61.06.41.41.20
5	2		hexagon cap nut low form with clamp DIN 986 - M6		02.33.00.60.11.20
6-10	1	5210			52.10.01.10.00.76
7	2		lens head screw with hexagon socket M4x10		01.43.07.28.65.00
8	2		spring ring DIN 127 - A 4		02.85.04.02.51.20
9	2		washer DIN 9021 - M4		02.79.04.31.00.20
10	2		weld nut C- M4x6		02.49.32.02.00.10

Wheel cover small



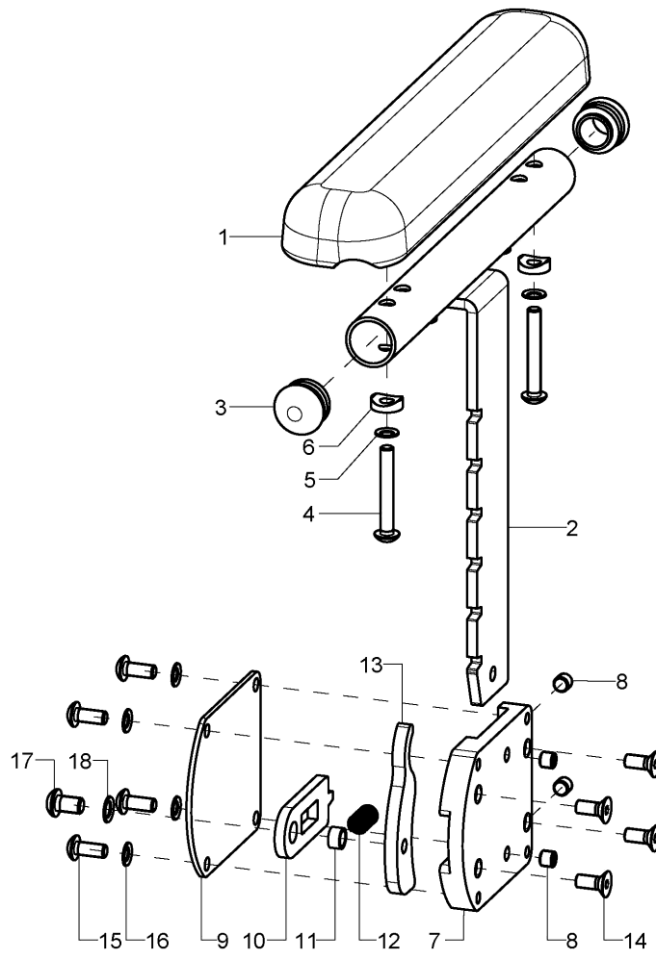
pcs.	Q/1	item no.	Product name:	Variant:	drawing no.
1-5	1P	521002			52.10.01.01.00.76
altern.	1P	521004			52.10.01.02.00.76
2	1	52100202			52.10.01.06.00.76
3	2		lens head screw with hexagon socket ISO 7380 - M6x35		01.42.08.59.65.00
4	4		washer DIN 125 - A 6,4		02.61.06.41.41.20
5	2		hexagon cap nut low form with clamp DIN 986 - M6		02.33.00.60.11.20
6-10	1	52110102			52.11.01.01.02.80
o.B.	1	52110101			52.11.01.01.01.80
7	2		lens head screw with hexagon socket M4x10		01.43.07.28.65.00
8	2		spring ring DIN 127 - A 4		02.85.04.02.51.20
9	2		washer DIN 9021 - M4		02.79.04.31.00.20
10	2		weld nut C- M4x6		02.49.32.02.00.10

Wheel cover 16 inches



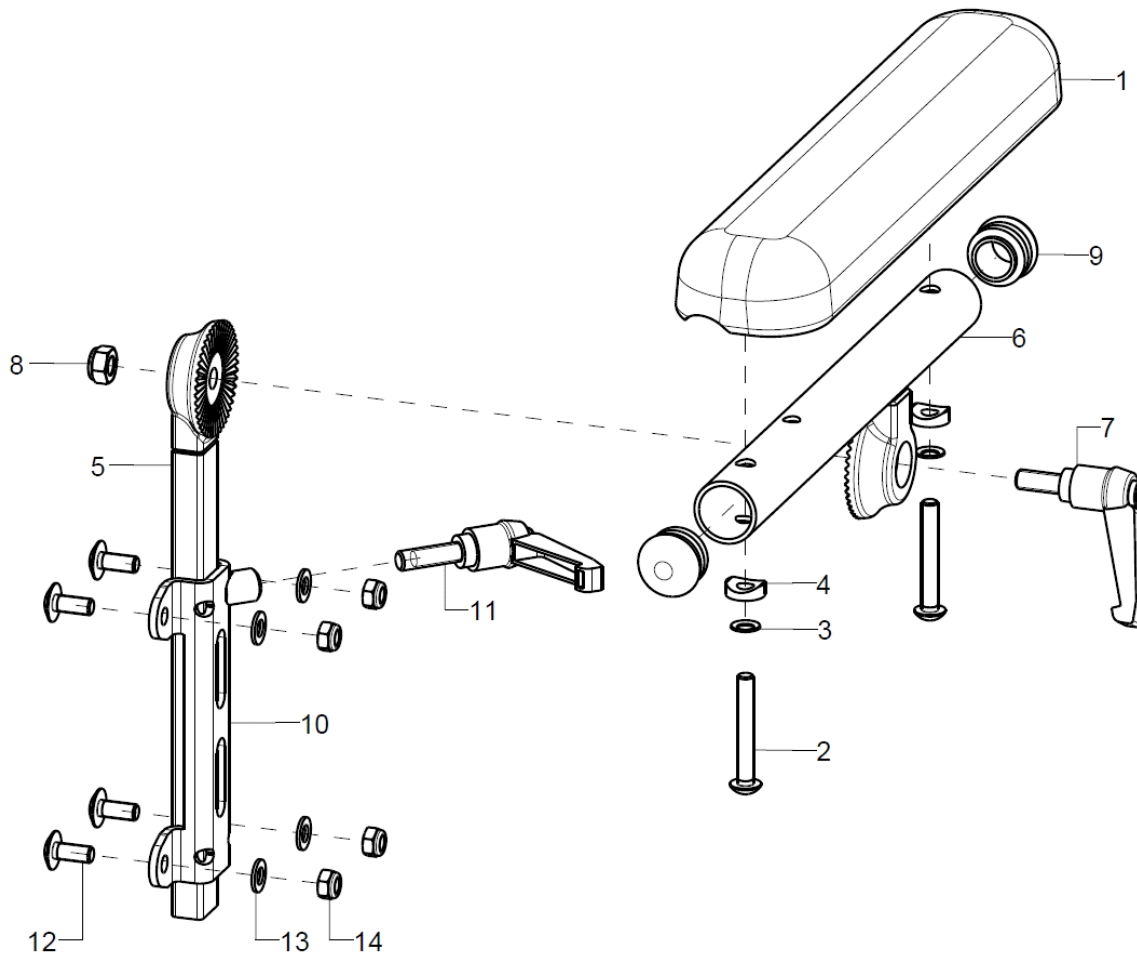
pcs.	Q/1	item no.	Product name:	Variant:	drawing no.
1-5	1	52110102			52.11.01.01.02.80
o.B.	1	52110101			52.11.01.01.01.80
2	2		lens head screw with hexagon socket M4x10		01.43.07.28.65.00
3	2		spring ring DIN 127 - A 4		02.85.04.02.51.20
4	2		washer DIN 9021 - M4		02.79.04.31.00.20
5	2		weld nut C- M4x6		02.49.32.02.00.10
6-7	2	52100201			52.10.02.01.00.76
7	2				01.42.08.59.62.60

Arm rest, rasterized



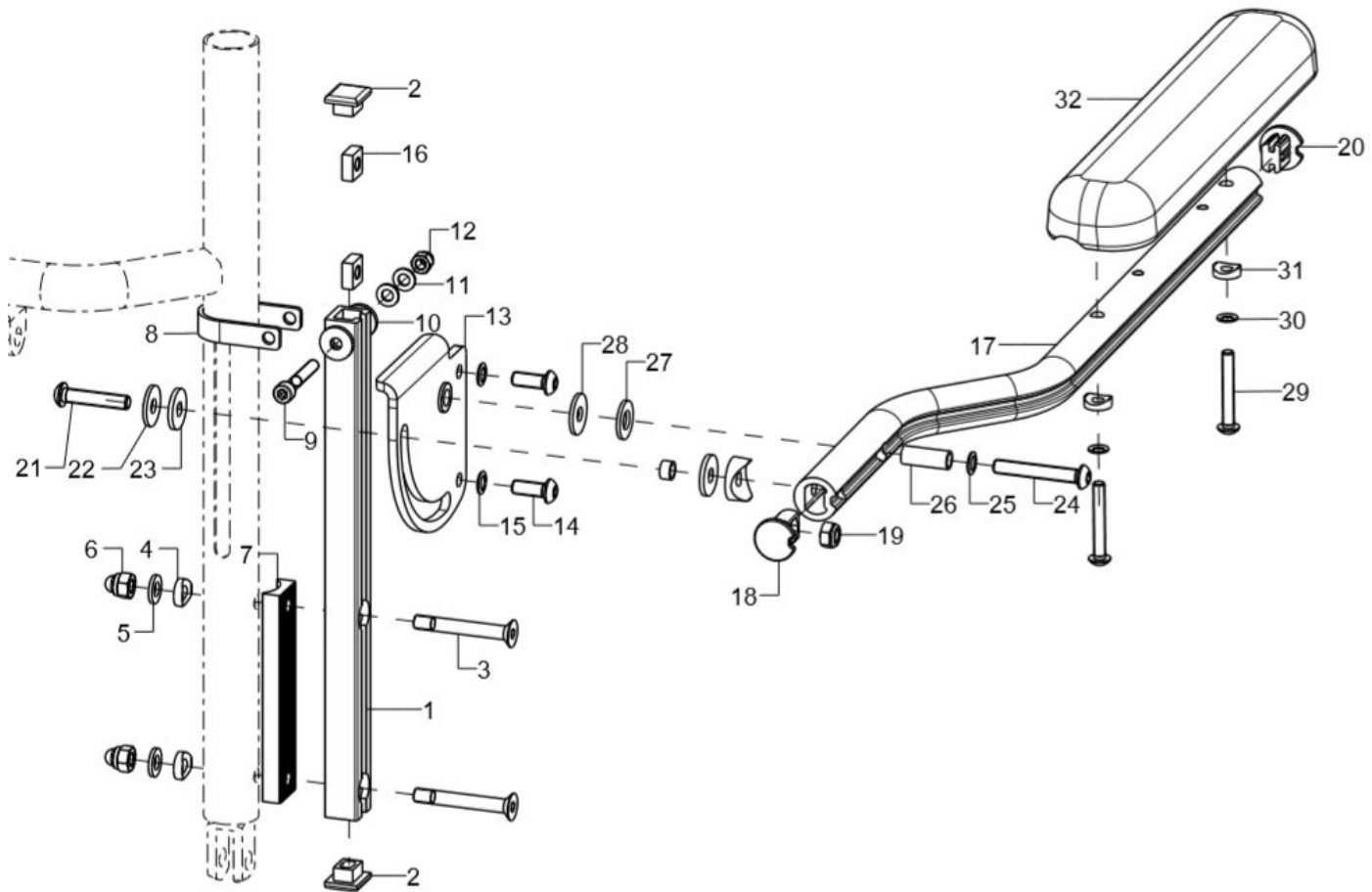
pcs.	Q/1	item no.	Product name:	Variant:	drawing no.
1-18	1	452506			
1	1	450007	arm rest, straight black 240x50x26, 2xM5x164		04.65.01.24.00.10
2-3	1	45250611			45.25.06.10.02.75
o.B.	1	45250610			45.25.06.10.01.75
3	2	620002	plug for rod ø20x1-2, black		04.63.10.20.00.10
4	2		lens head screw with hexagon socket ISO 7380 - M5x35		01.42.07.99.65.00
5	2		lock washer S5		02.99.10.50.01.10
6	2				40.04.16.01.00.10
7-18	1	45250622			
o.B.	1	45250621			
7	1				45.25.06.02.00.75
8	4				01.68.08.45.06.00
9	1				45.25.06.04.00.75
10	1				45.25.06.01.00.75
11	1				45.25.06.11.00.75
12	1		pressure spring DIN 2098 0,7x7,65/9,05x21		04.21.00.80.21.00
13	1				45.25.06.05.00.75
14	4		counter sunk screw with hexagon socket DIN 7991 M5x12		01.65.07.89.05.00
15	4		lens head screw with hexagon socket ISO 7380 - M5x12		01.42.07.89.65.00
16	4		lock washer S5		02.99.10.50.01.10
17	1		lens head screw with hexagon socket ISO 7380 - M6x10		01.42.08.48.65.00
18	1		lock washer S6		02.99.10.60.01.10

Arm rest 24cm, adjustable



pcs.	Q/1	item no.	Product name:	Variant:	drawing no.
1-9	1	452203	arm rest 24 cm long, complete angle adjustable		XX.XX.XX.XX.XX.XX
1-4	1	450007	arm rest, straight black 240x50x26, 2xM5x164		04.65.01.24.00.10
2	2		lens head screw with hexagon socket ISO 7380 - M5x35		01.42.07.99.65.00
3	2		lock washer S5		02.99.10.50.01.10
4	2				40.04.16.01.00.10
5	1	45320201			45.15.18.02.00.80
6-9	1	45320302			45.15.18.01.02.80
o.B.	1	45320301			45.15.18.01.01.80
7	1		clamp lever adjustable M6x16, black		04.13.10.60.16.50
8	1		hexagon nut self-locking low form DIN 985 - M6		02.32.00.60.01.20
9	2		plugs for tube ø20x1-2, black		04.63.10.20.00.10
10-14	1	45220302	arm rest adapter right, incl. mounting set		45.22.03.02.02.71
o.B.	1	45220301	arm rest adapter left, incl. mounting set		45.22.03.02.01.71
11	1	403110	clamp lever adjustable M6x20, black		04.13.10.60.20.50
12	4		lens head screw with hexagon socket M5x12		01.43.07.89.65.00
13	4		washer DIN 125 - A 5,3		02.61.05.31.01.20
14	4		hexagon nut self-locking low form DIN 985 - M5		02.32.00.50.01.20

Arm rest elevating

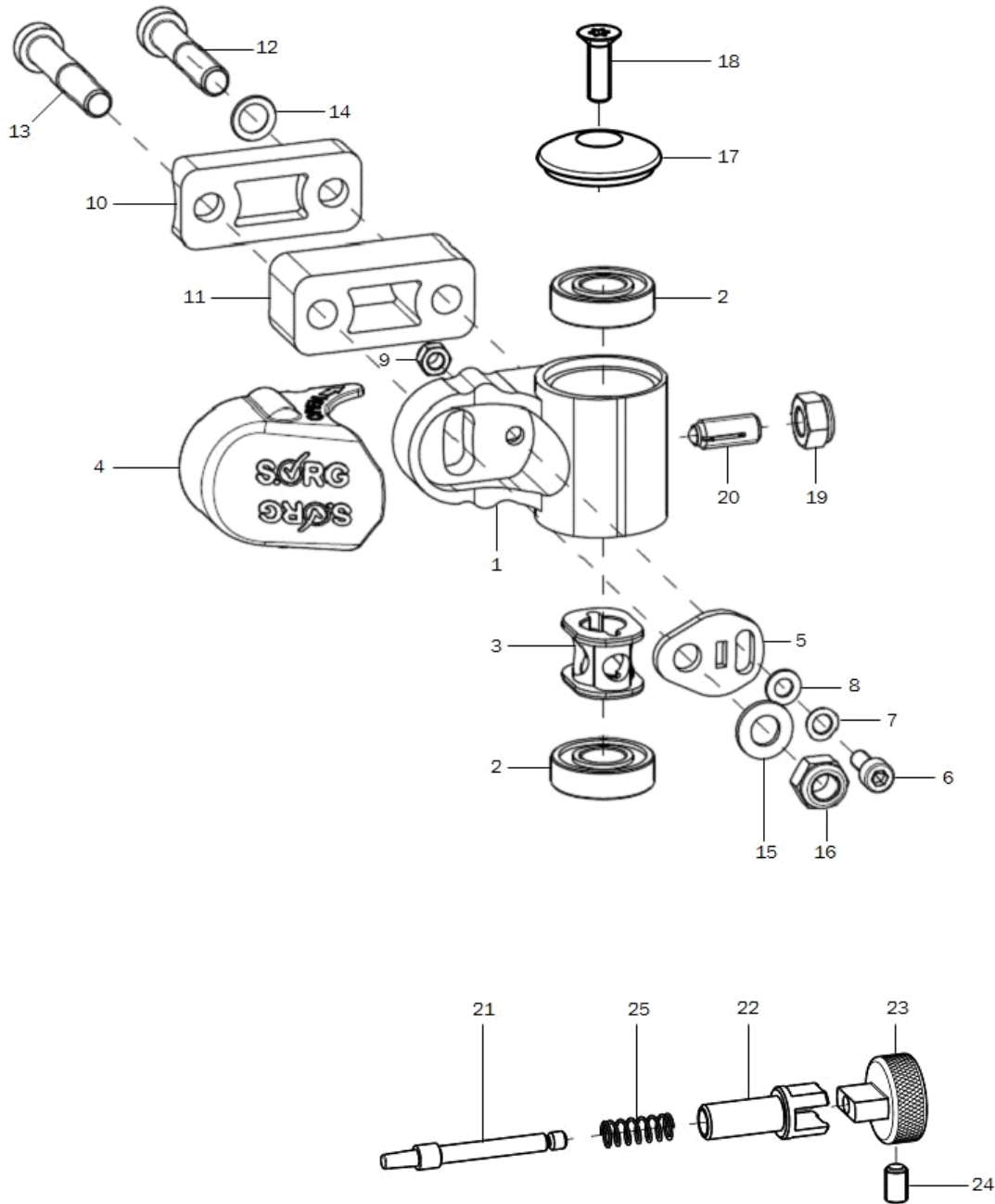


pcs.	Q/1	item no.	Product name:	Variant:	drawing no.
1-32	1	453102			
o.B.	1	453101			
1-6	1	45310103			45.31.01.03.00.76
2	2				35.01.02.05.00.10
3	2		counter sunk screw with hexagon socket DIN 7991 M6x45		01.65.08.61.05.00
o.B.	2		counter sunk screw with hexagon socket DIN 7991 M6x40		01.65.08.60.05.00
4	2		saddle washer Ø12/6x2,5		35.04.16.01.00.10
5	2		washer DIN 125 - A 6,4		02.61.06.41.41.20
6	2		hexagon cap nut low form with clamp DIN 986 - M6		02.33.00.60.11.20
8-12	1	45310108			45.31.01.07.00.76
7	1	45310106			45.31.01.06.00.76
9	1				01.22.07.99.62.40
10	2		washer DIN 7349 - 5,3		02.77.05.22.00.20
11	2		washer DIN 125 - A 5,3		02.61.05.31.01.20
12	1		hexagon cap nut low form with clamp DIN 986 - M5		02.33.00.60.21.20
13-16	1	45310105			45.31.01.04.02.76
o.B.	1	45310104			45.31.01.04.01.76
14	2		lens head screw with hexagon socket ISO 7380 - M6x16		01.42.08.52.65.00
15	2		lock washer S6		02.99.10.60.01.10
16	2		square nut SW 12x5-M6		02.51.00.60.01.20
17-31	1	45310107			45.31.01.01.00.76



18-19	1	653406	plug for nut M6 incl hexagon nut	65.22.20.10.00.00
19	1		hexagon nut self-locking low form DIN 985 - M6	02.32.00.60.01.20
20	1	620105	plug for profile tube	62.01.05.00.00.74
21	1		lens head screw with hexagon socket ISO 7380 - M6x30	01.42.08.58.65.00
22	1		washer DIN 9021 -6,4	02.79.06.41.60.20
23	1		washer DIN 9021- 6,4- PA	02.79.06.41.60.70
24	1		lens head screw with hexagon socket ISO 7380 - M6x40	01.42.08.60.65.00
25	1		lock washer S6	02.99.10.60.01.10
26	1			19.06.02.03.00.24
27	1		washer DIN 125 - A 8,4 - PA black	02.61.08.41.61.71
28	1		washer DIN 9021 -6,4	02.79.06.41.60.20
29	2		lens head screw with hexagon socket ISO 7380 - M5x35	01.42.07.99.65.00
30	2		lock washer S5	02.99.10.50.01.10
31	2			40.04.16.01.00.10
32	1	450007	arm rest, straight black 240x50x26, 2xM5x164	04.65.01.24.00.10

Caster housing



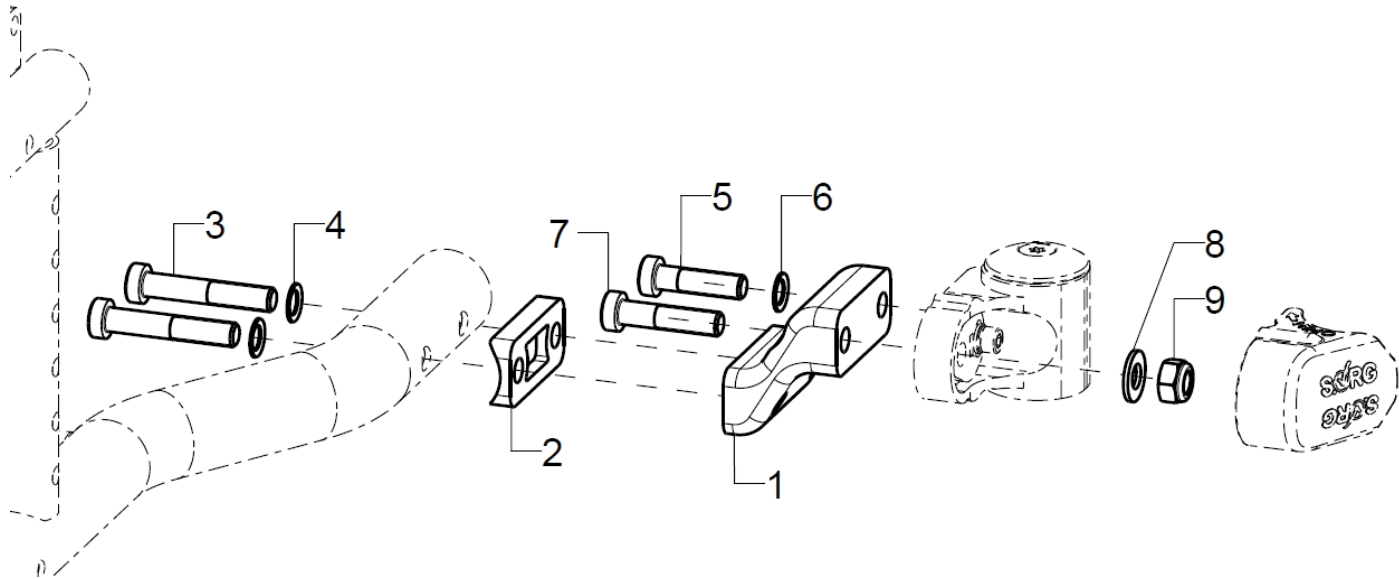
pcs.	Q/1	item no.	Product name:	Variant:	drawing no.
1-9	2	280506	caster adapter track fixation		XXXXXXXXXXXX
o.B.	2	280500	steering adapter aluminum complete		28.05.01.00.00.00
1	1	280507	caster adapter track fixation		28.05.01.01.00.00
altern.	1	280501	steering adapter aluminum		28.05.01.02.00.00
2	2	200011	groove ball bearing $\varnothing 28/12$ 6001z		04.32.12.08.00.10
3	1	280504	damper element		28.05.01.04.00.00
4	1	280030	cover cap		28.00.10.03.00.10
5	1	280503	eccentric disc		28.05.01.03.00.00
6	1		cylinder screw DIN 912 M5x12		01.22.07.89.72.40
7	1		lock washer S5		02.99.10.50.01.10
8	1		washer DIN 125 - A 5,3		02.61.05.31.01.20
9	1		hexagon nut self-locking low form DIN 985 - M5		02.32.00.50.01.20
10+12-16	2	280520			XX.XX.XX.XX.XX.XX



10+12-16	2	280521		XX.XX.XX.XX.XX.XX
10+12-16	2	280522		XX.XX.XX.XX.XX.XX
10	1	280505		28.05.02.02.00.00
11	1	280513	track extention 20mm	28.05.02.03.00.00
altern.	1	280514	track extention 40mm	28.05.02.04.00.00
12	1		cylinder screw low head DIN 7984 - M8x45	01.24.09.81.62.40
altern.	1		cylinder screw low head DIN 7984 - M8x65	01.24.09.85.62.40
altern.	1		cylinder screw low head DIN 7984 - M8x85	01.24.09.89.62.40
13	1			01.24.09.82.62.40
altern.	1			01.24.09.86.62.40
altern.	1			01.24.09.90.62.40
14	1		lock washer S8	02.99.10.80.01.10
15	1		washer DIN 125 - A 8,4	02.61.08.41.41.20
16	1		hexagon nut self-locking low form DIN 985 - M8	02.32.00.80.01.20
17-18	1	282107	cap 35x10 black anodized incl. mounting screw	28.21.07.01.00.10
18	1		counter sunk screw with Torx ISO 14581 M6x20 vz, black	01.66.08.54.92.21
19	1		hexagon nut self-locking low form DIN 985 - M8	02.32.00.80.01.20
20	2	285103	spring pressure piece M8 complete	04.14.50.80.21.20
21-25	1	285003	track fixation complete	XXXXXXXXXXXX
21	1			28.50.01.01.00.10
22	1			28.50.01.02.00.10
23	1			28.50.01.03.00.10
24	1		setscrew with hexagon socket DIN 913,M5x8	01.67.07.87.61.20
25	1		pressure spring 0,55x5,5x23,7	04.21.05.52.37.10

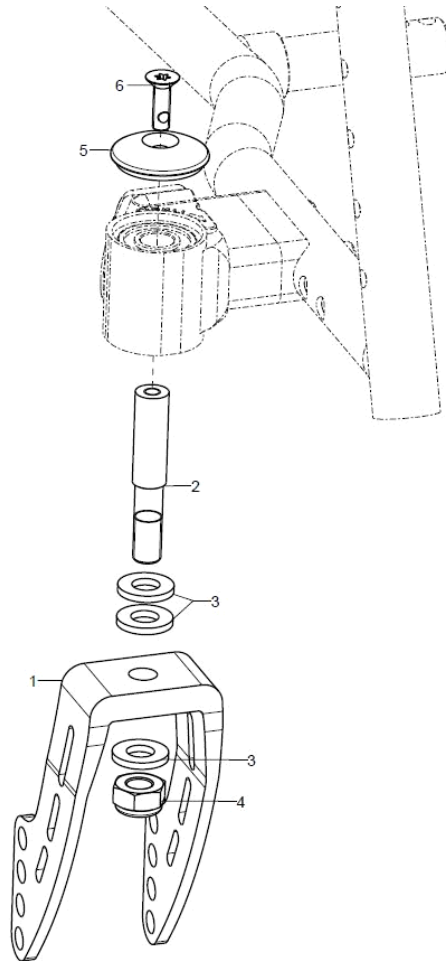
Achtung: Wenn eine Lenk- und Schiebehilfe oder Rückhalteösen am Rollstuhl angebaut sind, bitte bei Bestellungen von Ersatzteilen angeben.

Adapter for low seat heights



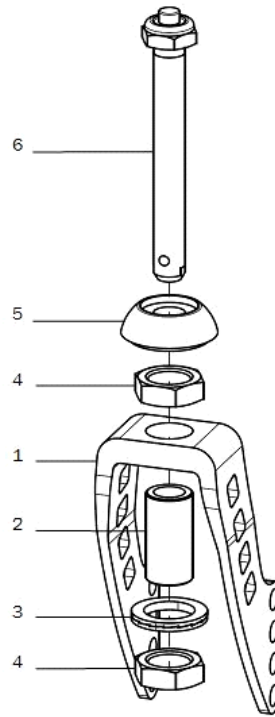
pcs.	Q/1	item no.	Product name:	Variant:	drawing no.
1	2	280525			28.05.03.01.00.00
altern.	2	280526			28.05.03.02.00.00
2-8	2	280528			
2	1	280505			28.05.02.02.00.00
3	2		cylinder screw low head DIN 7984 - M8x45		01.24.09.81.62.40
4	2		lock washer S8		02.99.10.80.01.10
5	1				01.24.09.78.62.40
6	1		lock washer S8		02.99.10.80.01.10
7	1				01.24.09.79.62.40
8	1		washer DIN 125 - A 8,4		02.61.08.41.41.20
9	1		hexagon nut self-locking low form DIN 985 - M8		02.32.00.80.01.20

Caster fork



pcs.	Q/1	item no.	Product name:	Variant:	drawing no.
1	2	2841	caster fork aluminum 164x45		28.41.01.00.00.10
o.B.	2	2842	caster fork aluminum 126x45		28.42.01.00.00.10
o.B.	2	2845			28.00.02.03.00.00
2	2	282104	steering axle \varnothing 12x65, 1		28.21.05.01.00.10
o.B.	2	285101	steering axle 65 for track fixation		28.50.00.03.00.10
o.B.	2	285001	steering axle 65 for locking		28.50.00.01.00.10
3+4	2	282120	mounting set caster axle on caster fork aluminum (washers, hexagon nut)		28.21.20.01.01.00
3	3		washer DIN 1440 -10x20x2,5		02.71.10.02.50.20
4	1		hexagon nut self-locking low form DIN 985 - M10		02.32.01.00.01.20
5-6	2	282107	cap 35x10 black anodized incl. mounting screw		28.21.07.01.00.10
6	2		counter sunk screw with Torx ISO 14581 M6x20 vz, black		01.66.08.54.92.21

Caster fork with quick release axle

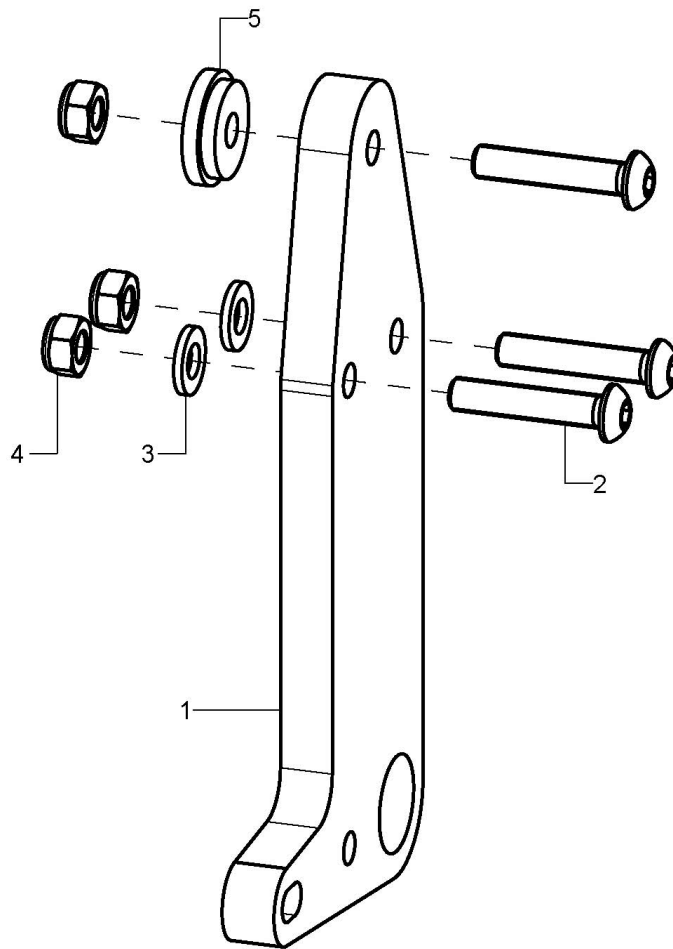


pcs.	Q/1	item no.	Product name:	Variant:	drawing no.
1	2	272114	caster fork 164x45 for quick-release axle		27.21.01.14.00.10
o.B.	2	272113	caster fork 126x45 for quick-release axle		27.21.01.13.00.10
2	2	272102	adapter M18x1 D12 35mm		27.21.01.02.00.10
3-4	2	272104	mounting set adapter		XXXXXXXXXXXX
3	1		lock washer M18 (Nord-Lock)		02.99.21.95.01.10
4	2		hexagon nut M18x1		02.19.01.30.11.21
5	1	272101	cap 27x16,5 aluminum, black anodized		27.21.01.01.00.10
6	1	272103	quick-release axle 12x85		04.51.51.21.40.30

Caster wheels

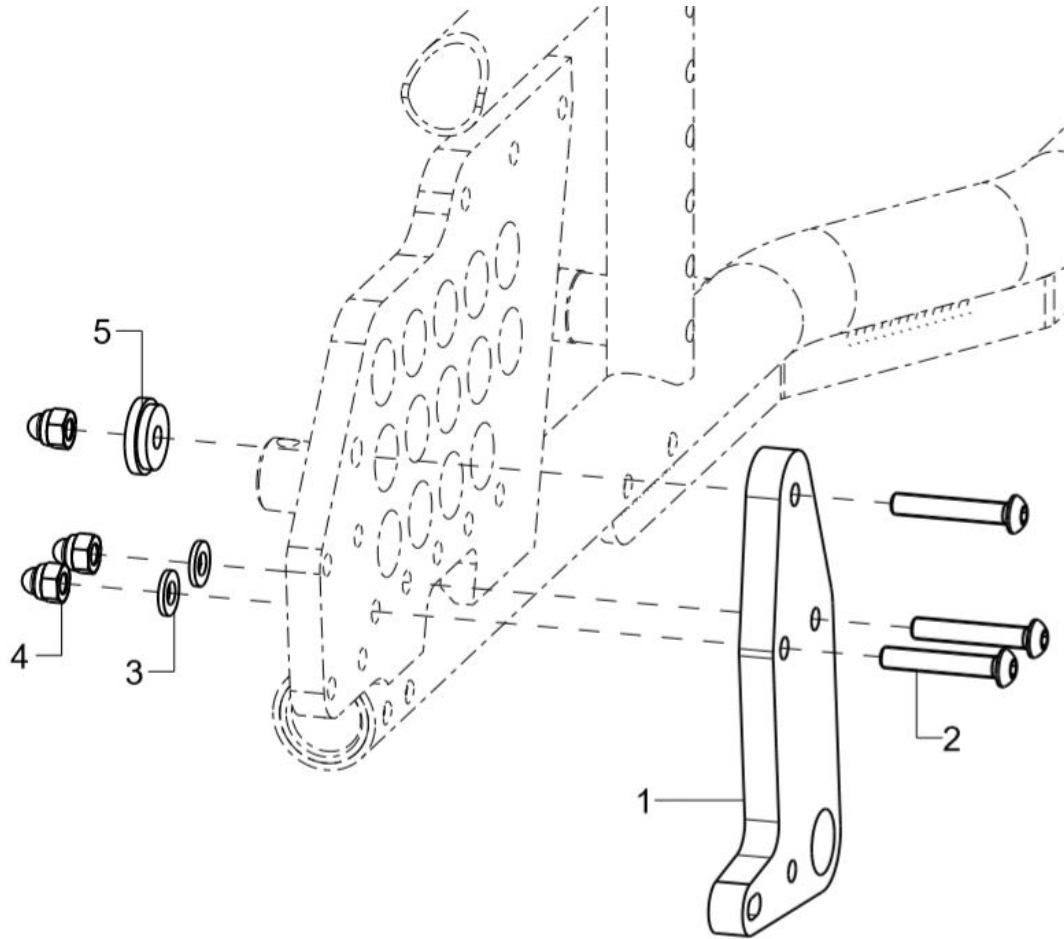
pcs.	Q/1	item no.	Product name:	Variant:	drawing no.
o.B.	2	2805	caster 5" PU		04.52.42.05.00.30
o.B.	2	2809	caster 5" soft solid rubber		04.52.44.05.00.10
o.B.	2	2834	caster 5" PU, transparent with LED		04.52.45.05.00.40
o.B.	2	2836	caster 5" solid rubber black with aluminum rim		04.52.41.05.00.61
o.B.	2	2802	caster 5,5" solid rubber		
o.B.	2	2803	caster 6" PU		04.52.42.06.00.30
o.B.	2	2811	caster 6" solid rubber		04.52.41.06.00.30
o.B.	2	2808	caster 6" pneumatic wheels		04.52.43.06.00.11
o.B.	2	2838			04.52.41.06.00.70
o.B.	2	2813	caster 7" solid rubber		04.52.41.07.00.20
o.B.	2	2807	caster 7" pneumatic wheels		04.52.43.07.00.11
o.B.	2	289998			

Adaptation plate, 12 inches



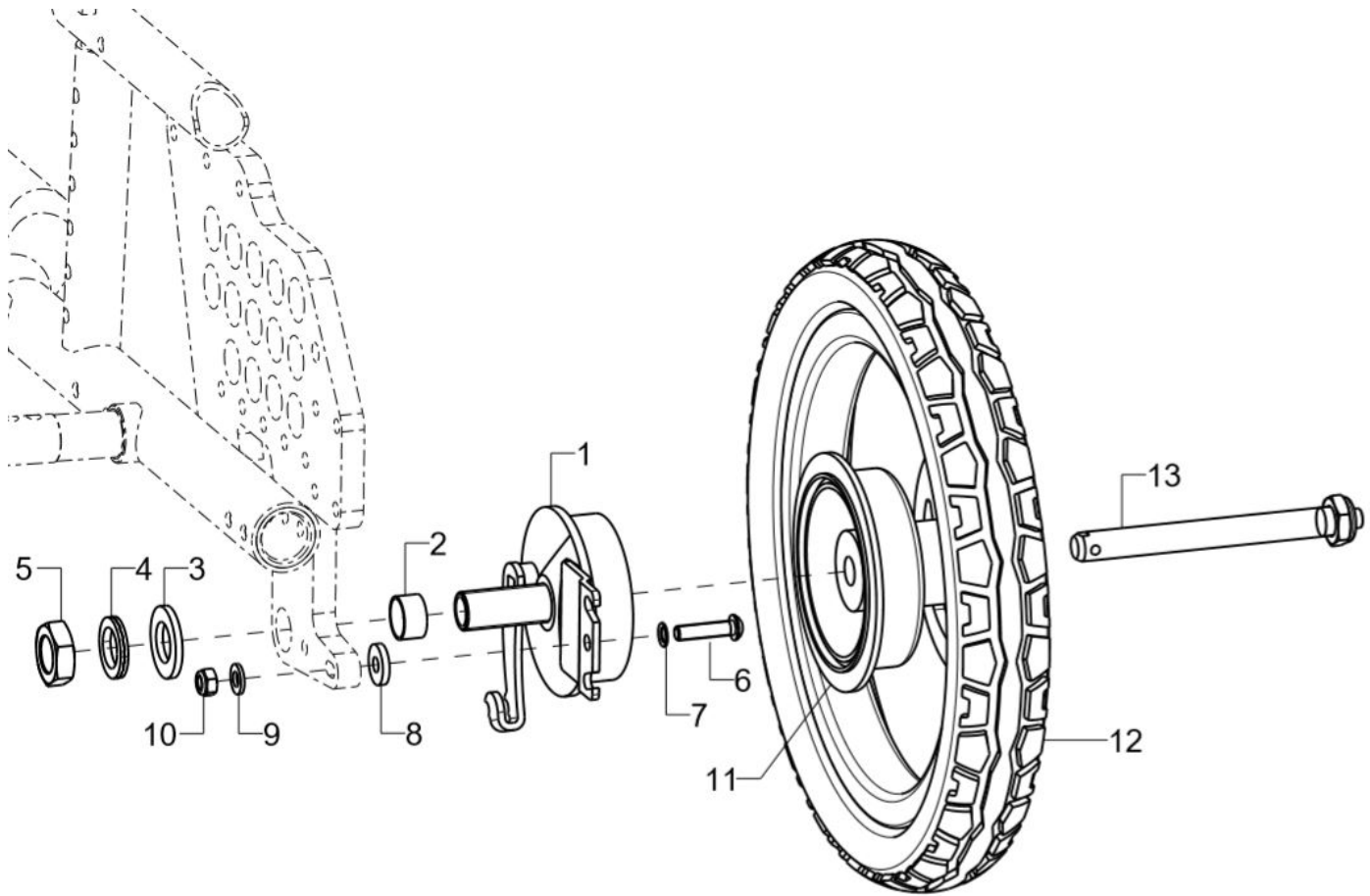
pcs.	Q/1	item no.	Product name:	Variant:	drawing no.
1-5	2	20157610			20.15.76.10.01.76
o.B.	2	20157611			20.15.76.10.02.76
2	3		lens head screw with hexagon socket ISO 7380 - M6x30		01.42.08.58.65.00
3	2		washer DIN 125 - A 6,4		02.61.06.41.41.20
4	3		hexagon nut self-locking low form DIN 985 - M6		02.32.00.60.01.20
5	1				76.06.01.04.00.69

Adaptation plate, 16 inches



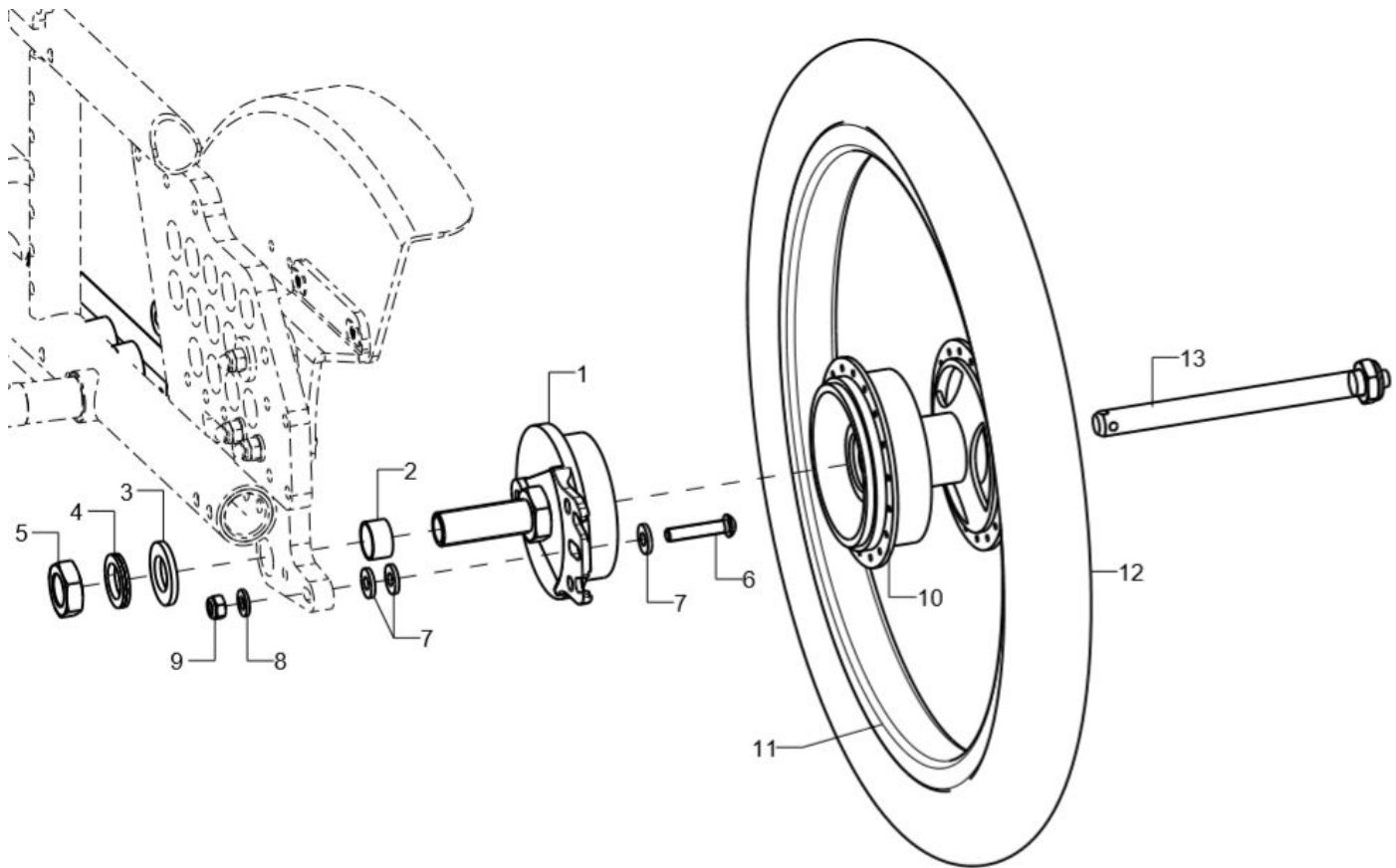
pcs.	Q/1	item no.	Product name:	Variant:	drawing no.
1-5	2	20157616			20.15.76.16.00.76
2	3		lens head screw with hexagon socket ISO 7380 - M6x30		01.42.08.58.65.00
o.B.	3				01.42.08.59.62.60
3	2		washer DIN 125 - A 6,4		02.61.06.41.41.20
4	3		hexagon cap nut low form with clamp DIN 986 - M6		02.33.00.60.11.20
5	1				76.06.01.04.00.69

12 inches rear wheels



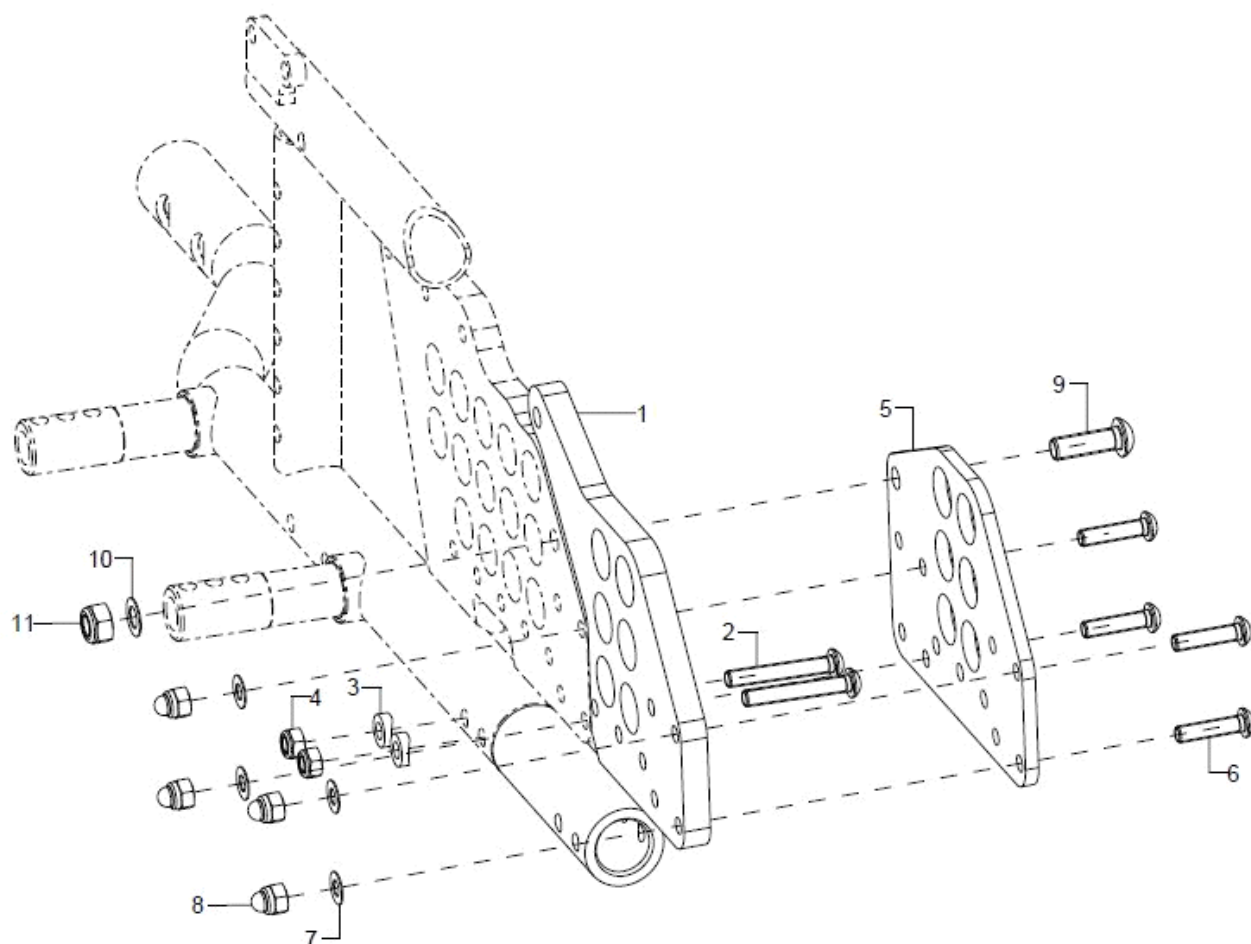
pcs.	Q/1	item no.	Product name:	Variant:	drawing no.
1-10	1	22002402			22.00.24.99.02.00
o.B.	1	22002401			22.00.24.99.01.00
2	1				22.00.12.03.00.69
3	1		washer DIN 125 - A 17		02.61.17.02.71.20
4	1		lock washer M16 (Nord-Lock)		02.99.21.70.01.10
5	1		nut M16x1 SW 24		02.19.01.60.11.21
6	1		lens head screw with hexagon socket ISO 7380 - M6x25		01.42.08.56.65.00
7	1		lock washer S6		02.99.10.60.01.10
8	1		washer DIN 7349 - 6,4		02.77.06.53.00.20
9	1		washer DIN 125 - A 6,4		02.61.06.41.41.20
10	1		hexagon nut self-locking low form DIN 985 - M6		02.32.00.60.01.20
11-12	2	22120003			22.12.00.99.01.00
o.B.	2	22124003			22.12.00.99.02.00
11	2	22120103			22.12.01.00.00.00
12	2	201241			04.61.11.20.70.20
o.B.	2	200512			XX.XX.XX.XX.XX.XX
o.B.	2	201240			04.61.21.20.70.20
13	2	210003	quick-release axle 12,7x103 mm for standard hub from 5/2013 and light weight wheel		04.51.51.21.00.31

16 inch rear wheel



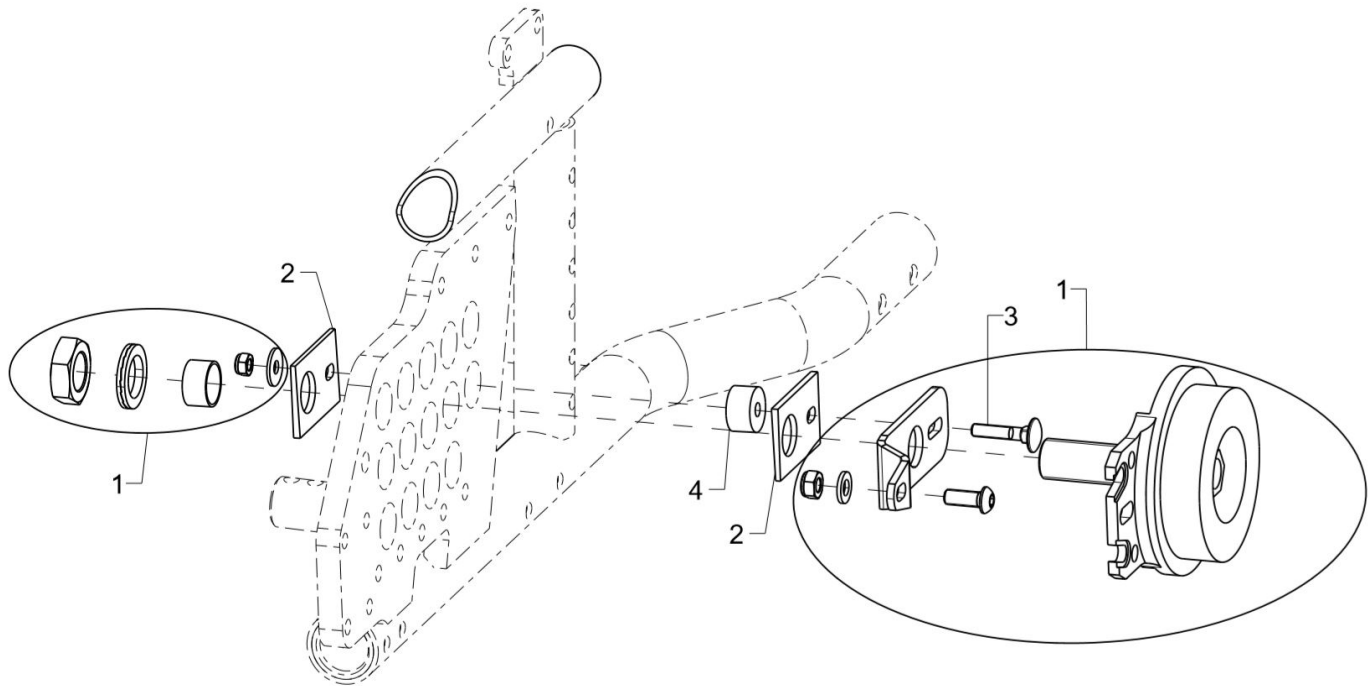
pcs.	Q/1	item no.	Product name:	Variant:	drawing no.
1-9	1	220016	drum brake anchor, black coated		04.51.67.00.01.10
2	1				22.00.12.03.00.69
3	1		washer DIN 125 - A 17		02.61.17.02.71.20
4	1		lock washer M16 (Nord-Lock)		02.99.21.70.01.10
5	1		nut M16x1 SW 24		02.19.01.60.11.21
6	1		lens head screw with hexagon socket ISO 7380 - M6x30		01.42.08.58.65.00
7	3		washer reinforced $\varnothing 14/6,2 \times 2$		58.30.15.01.00.24
8	1		washer DIN 125 - A 6,4		02.61.06.41.41.20
9	1		hexagon nut self-locking low form DIN 985 - M6		02.32.00.60.01.20
10	1	22160003			
o.B.	1	22164003			
11		22160002			
12	1	201612			
o.B.	1	200516			
o.B.	1	231611			
13	1	220001	quick-release axle D12x123mm for drum brake		04.51.51.21.20.30

Wheel base extension



pcs.	Q/1	item no.	Product name:	Variant:	drawing no.
1-4	1	767602			76.76.02.01.02.76
o.B.	1	767601			76.76.02.01.01.76
2	2		lens head screw with hexagon socket ISO 7380 - M6x40		01.42.08.60.65.00
3	2		saddle washer Ø12/6x2,5		35.04.16.01.00.10
4	2		hexagon nut self-locking low form DIN 985 - M6		02.32.00.60.01.20
5-11	2	767604			76.76.02.04.00.76
6	4		lens head screw with hexagon socket ISO 7380 - M6x25		01.42.08.56.65.00
7	4		fitted washer DIN 988 - 6x12x0,5 - A2		02.68.06.00.50.30
8	4		hexagon cap nut low form with clamp DIN 986 - M6		02.33.00.60.11.20
9	1				01.42.09.76.65.00
10	1				02.68.08.05.00.30
11	1		hexagon nut self-locking low form DIN 985 - M8		02.32.00.80.01.20

Drum brake anchor



pcs.	Q/1	item no.	Product name:	Variant:	drawing no.
1	2	220005	drum brake body complete, incl. adapter and counter wrench		22.00.01.99.00.10
o.B.	2	220013	drum brake anchor pre-assembled		
2-4	2	201515			20.15.76..01.00.76
3	1				01.11.07.94.00.40
4	1				20.15.76.02.00.76



Rear wheel

pcs.	Q/1	item no.	Product name:	Variant:	drawing no.
o.B.	2	222000	20" driving wheel with drum brake		
o.B.	2	222200	22" driving wheel with drum brake		
o.B.	2	222400	24" driving wheel standard with drum brake		
o.B.	2	212081	20" lightweight wheel with drum brake hub, black		
o.B.	2	212281	22" lightweight wheel with drum brake, black		
o.B.	2	212481	24" lightweight wheel with drum brake, black		
o.B.	2	220001	quick-release axle D12x123mm for drum brake		04.51.51.21.20.30



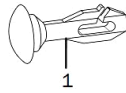
Tyres

pcs.	Q/1	item no.	Product name:	Variant:	drawing no.
o.B.	2	202016			
o.B.	2	201241			04.61.11.20.70.20
o.B.	2	202216			
o.B.	2	202416			
o.B.	2	202212	tire for pneumatic tube 22x1" Marathon plus, black		
o.B.	2	202412	tire for pneumatic tube 24x1" Marathon plus, black		04.61.12.41.20.21
o.B.	2	202021	tire for pneumatic tube 20x1 3/8" grey		04.61.12.00.20.10
o.B.	2	202221	tire for pneumatic tube 22x1 3/8" grey		04.61.12.20.30.10
o.B.	2	202421	tire for pneumatic tube 24x1 3/8" grey		04.61.12.40.30.10
o.B.	2				XX.XX.XX.XX.XX.XX
o.B.	2	200520	tube 20"		
o.B.	2	200522	tube 22"		
o.B.	2	200524	tube 24"		
o.B.	2	201240			04.61.21.20.70.20
o.B.	2	232013			
o.B.	2	232213			
o.B.	2	232413			
o.B.	2	232014			
o.B.	2	232214			
o.B.	2	232414			
o.B.	2	232012			04.61.22.00.10.11
o.B.	2	232212			04.61.22.20.10.11
o.B.	2	232412			04.61.22.40.10.11

Handrims

pcs.	Q/1	item no.	Product name:	Variant:	drawing no.
o.B.	2	302101	handrim 20" high, stainless steel polished		
o.B.	2	302201	handrim 22" standard, stainless steel polished		
o.B.	2	302301	handrim 22" high, stainless steel polished		
o.B.	2	302401	handrim 24" standard, stainless steel polished		
o.B.	2	302501	handrim 24" high, stainless steel polished		
o.B.	2	3120	hand rim, stainless steel 20", 8 knobs		
o.B.	2	3122	hand rim, stainless steel 22", 8 knobs		
o.B.	2	3124	hand rim, stainless steel 24", 8 knobs		
o.B.	2	302078			
o.B.	2	302278			
o.B.	2	302478			

Spoke covers

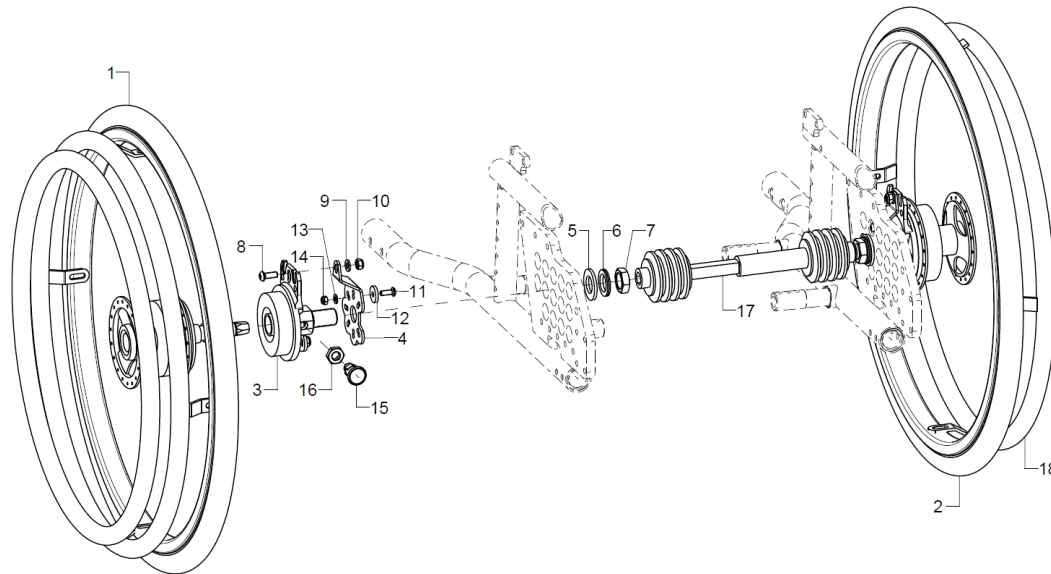


pcs.	Q/1	item no.	Product name:	Variant:	drawing no.
1	1	250001	clip for transparent spoke cover		25.00.99.01.00.10
o.B.	1	252000	spoke cover 20", Unicolor transparent		
o.B.	1	252200	spoke cover 22", Unicolor transparent		
o.B.	1	252400	spoke cover 24", Unicolor transparent		

Design-Dekor-Speichenschützer können Sie unter den folgenden Internetadressen wählen:

www.speichen-schutz.de
www.wheelchairgadgets.com

Double hand rim for drum brake

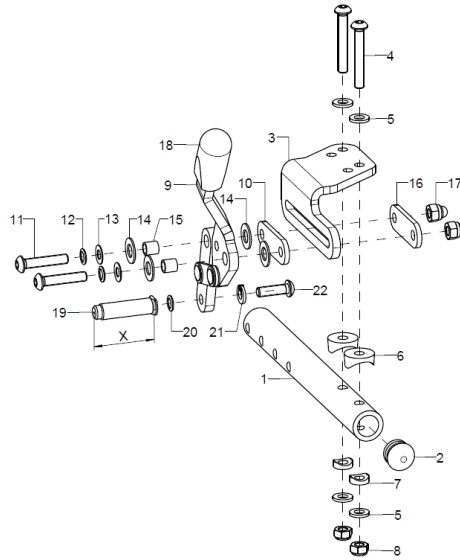


pcs.	Q/1	item no.	Product name:	Variant:	drawing no.
1-17	1	261402	double handrim 20" drum brake hub incl. drag anchor, brake arm and telescope rod		XXXXXXXXXXXX
o.B.	1	261404	double handrim 22" drum brake hub incl. drag anchor, brake arm and telescope rod		XXXXXXXXXXXX
o.B.	1	261406	double handrim 24" drum brake hub incl. drag anchor, brake arm and telescope rod		XXXXXXXXXXXX
1	1	261450	20" double handrim driving wheel drum brake hub, driving side		XXXXXXXXXXXX
o.B.	1	261452	22" double handrim driving wheel drum brake hub, driving side		XXXXXXXXXXXX
o.B.	1	261454	24" double handrim driving wheel drum brake hub, driving side		XXXXXXXXXXXX
2	1	261451	20" double handrim driving wheel drum brake hub, opposite side		XXXXXXXXXXXX
o.B.	1	261453	22" double handrim driving wheel drum brake hub, opposite side		XXXXXXXXXXXX
o.B.	1	261455	24" double handrim driving wheel drum brake hub, opposite side		XXXXXXXXXXXX
3-16	1	261428	mounting set DHR drum brake		XXXXXXXXXXXX
3	1				
4	1	220012	holder other side drum brake		
5	1		washer DIN 125 - B 19		02.61.19.02.72.20
6	1		lock washer M18 (Nord-Lock)		02.99.21.95.01.10
7	1		hexagon nut M18x1		02.19.01.30.11.21
8	1		lens head screw with hexagon socket ISO 7380 - M6x16		01.42.08.52.65.00
9	1		washer DIN 125 - A 6,4		02.61.06.41.41.20
10	1		hexagon nut self-locking low form DIN 985 - M6		02.32.00.60.01.20
11	1				01.43.07.90.65.00
12	1				22.00.12.02.00.10
13	1		washer DIN 125 - A 5,3		02.61.05.31.01.20
14	1		hexagon nut self-locking low form DIN 985 - M5		02.32.00.50.01.20
15	1				04.14.34.50.01.00
16	1		hexagon nut DIN 934 - M10		02.19.01.00.01.20
17	1	26140004			26.14.10.01.04.00
o.B.	1	26140005			26.14.10.01.05.00
o.B.	1	26140006			26.14.10.01.06.00
o.B.	1	26140007			26.14.10.01.07.00
o.B.	1	26140008			26.14.10.01.08.00
18	1	261430	hand rim for other side 20"		XXXXXXXXXXXX
o.B.	1	261431	hand rim for other side 22"		XXXXXXXXXXXX



o.B.	1	261432	hand rim for other side 24"	XXXXXXXXXX
------	---	--------	-----------------------------	------------

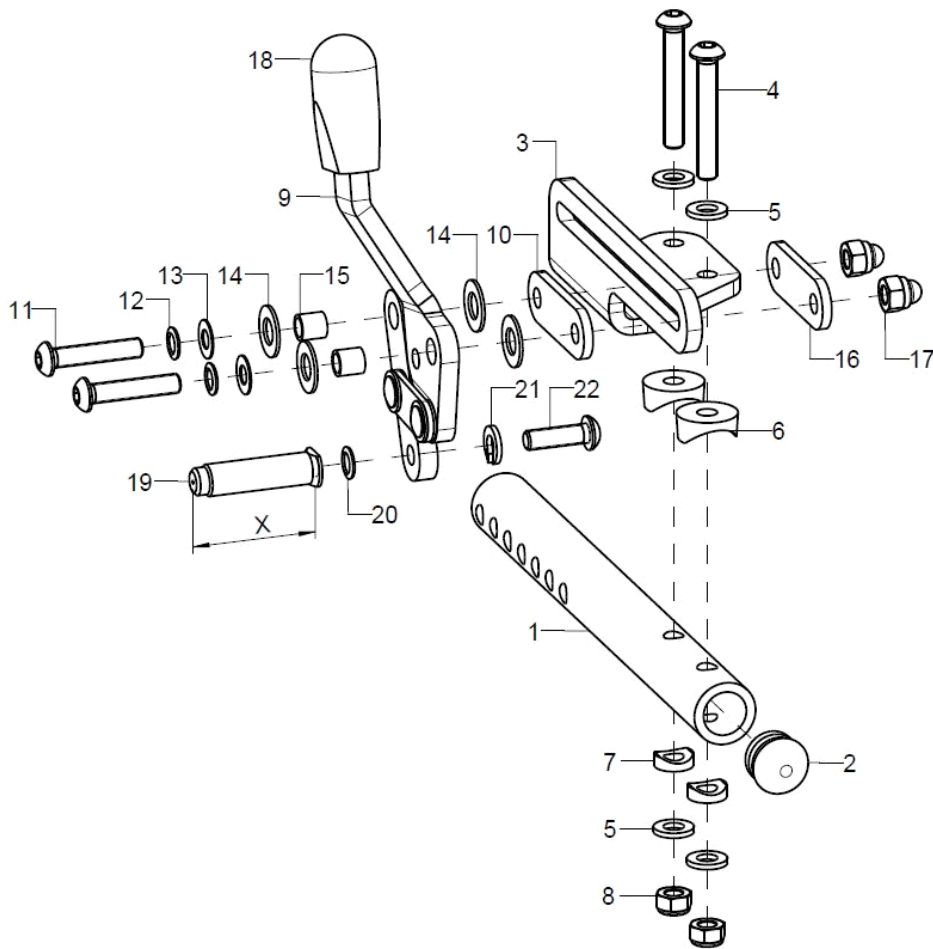
Knee lever brake, open frame



pcs.	Q/1	item no.	Product name:	Variant:	drawing no.
1-22	1	35251520			XX.XX.XX.XX.XX.XX
1-2	1	35251503			35.25.15.02.00.76
2	1		plugs for tube ø18x1-2, black		04.63.10.18.00.10
3-6	1	35251502			35.25.15.01.02.76
altern.	1	35251512			35.25.15.11.02.76
o.B.	1	35251501			35.25.15.01.01.76
o.B.	1	35251511			35.25.15.11.01.76
4	1		lens head screw with hexagon socket ISO 7380 - M6x40		01.42.08.60.65.00
5	4		washer DIN 125 - A 6,4		02.61.06.41.41.20
6	2				04.63.39.20.06.10
7	2		saddle washer ø12/6x2,5		35.04.16.01.00.10
8	2		hexagon nut self-locking low form DIN 985 - M6		02.32.00.60.01.20
9	1	352504	brake pad standard pre-mounted right		35.25.01.02.02.10
o.B.	1	352503	brake pad standard pre-mounted left		35.25.01.02.01.10
10	2	352505	bracket 34 Bd 16x3x50		35.25.01.07.00.18
11-17	2	352508	mounting set knee lever brake		XXXXXXXXXXXX
11	2		lens head screw with hexagon socket ISO 7380 - M6x30		01.42.08.58.65.00
12	2		lock washer S6		02.99.10.60.01.10
13	2		fitted washer DIN 988 - 12x18x0,5		02.68.12.00.50.30
14	4		fender disc 8,4x16x1 PE		02.81.16.00.10.70
15	2				35.00.18.01.00.30
16	1	352505	bracket 34 Bd 16x3x50		35.25.01.07.00.18
17	2		hexagon cap nut low form with clamp DIN 986 - M6		02.33.00.60.11.20
18	2	350017	cap black 15x6,8		35.00.17.01.00.10
19-22	1	352518	brake bolt 40 mm left-hand thread incl. mounting set		35.25.01.18.00.10
o.B.	1	352506	brake bolt milled 40 mm incl. mounting set		35.25.01.15.00.10
altern.	1	352519	brake bolt 50 mm left-hand thread incl. mounting set		35.25.01.19.00.10
o.B.	1	352507	brake bolt milled 50 mm incl. mounting set		35.25.01.16.00.10
20	1		lock washer S6		02.99.10.60.01.10
22	1		lens head screw with hexagon socket ISO 7380 , M6x20 left-hand thread		01.42.08.54.05.01
21	1		spring ring DIN 127- A6		02.85.30.60.05.10
o.B.	1		lens head screw with hexagon socket ISO 7380 - M6x20		01.42.08.54.05.00



Knee lever brake for small seat depth, open frame



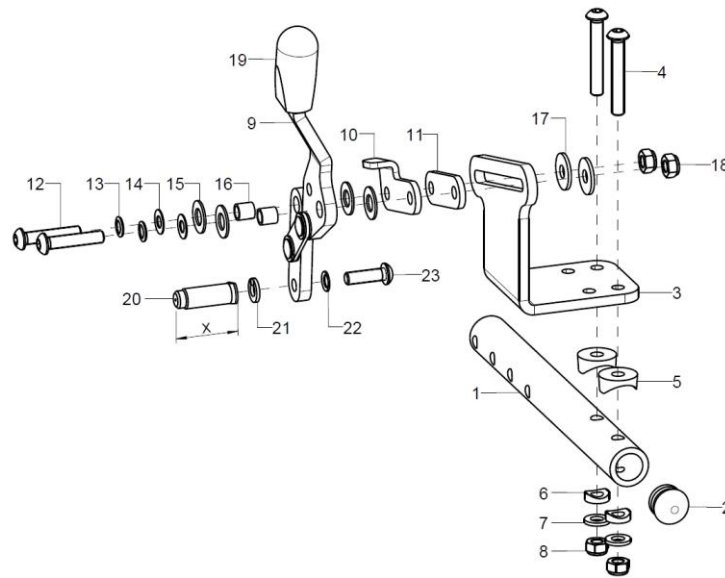
pcs.	Q/1	item no.	Product name:	Variant:	drawing no.
1-22	1				
1-2	1	35251503			35.25.15.02.00.76
2	1		plugs for tube ø18x1-2, black		04.63.10.18.00.10
3-8	1				35.25.15.13.02.76
o.B.	1				35.25.15.13.01.76
4	2		lens head screw with hexagon socket ISO 7380 - M6x40		01.42.08.60.65.00
5	4		washer DIN 125 - A 6,4		02.61.06.41.41.20
6	2				04.63.39.20.06.10
7	2		saddle washer ø12/6x2,5		35.04.16.01.00.10
8	2		hexagon nut self-locking low form DIN 985 - M6		02.32.00.60.01.20
9	1	352504	brake pad standard pre-mounted right		35.25.01.02.02.10
o.B.	1	352503	brake pad standard pre-mounted left		35.25.01.02.01.10
10	2	352505	bracket 34 Bd 16x3x50		35.25.01.07.00.18
11-17	2	352508	mounting set knee lever brake		XXXXXXXXXXXX
11	2		lens head screw with hexagon socket ISO 7380 - M6x30		01.42.08.58.65.00
12	2		lock washer S6		02.99.10.60.01.10
13	2		fitted washer DIN 988 - 12x18x0,5		02.68.12.00.50.30
14	4		fender disc 8,4x16x1 PE		02.81.16.00.10.70
15	2				35.00.18.01.00.30
16	1	352505	bracket 34 Bd 16x3x50		35.25.01.07.00.18
17	2		hexagon cap nut low form with clamp DIN 986 - M6		02.33.00.60.11.20
18	2	350017	cap black 15x6,8		35.00.17.01.00.10
19-22	1	352518	brake bolt 40 mm left-hand thread incl. mounting set		35.25.01.18.00.10



o.B.	1	352506	brake bolt milled 40 mm incl. mounting set	35.25.01.15.00.10
altern.	1	352519	brake bolt 50 mm left-hand thread incl. mounting set	35.25.01.19.00.10
o.B.	1	352507	brake bolt milled 50 mm incl. mounting set	35.25.01.16.00.10
20	1		lock washer S6	02.99.10.60.01.10
21	1		spring ring DIN 127- A6	02.85.30.60.05.10
22	1		lens head screw with hexagon socket ISO 7380 , M6x20 left-hand thread	01.42.08.54.05.01
o.B.	1		lens head screw with hexagon socket ISO 7380 - M6x20	01.42.08.54.05.00

Antriebsrad	bis ST
20"	32
22"	34
24"	36

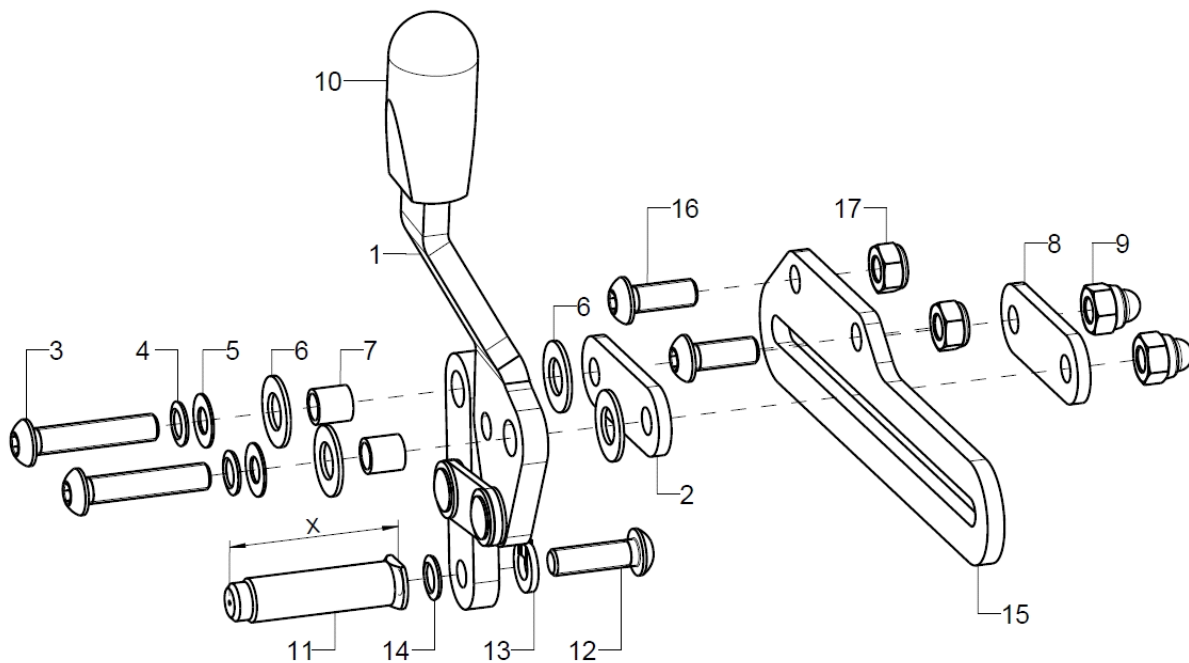
Knee lever brake at swiveld leg support



pcs.	Q/1	item no.	Product name:	Variant:	drawing no.
1-23	1				
1-2	1	35251503			35.25.15.02.00.76
2	1		plugs for tube ø18x1-2, black		04.63.10.18.00.10
3-8	1				35.25.80.01.02.80
o.B.	1				35.25.80.01.01.80
4	2		lens head screw with hexagon socket ISO 7380 - M6x40		01.42.08.60.65.00
5	2				04.63.39.20.06.10
6	2		saddle washer Ø12/6x2,5		35.04.16.01.00.10
7	2		washer DIN 125 - A 6,4		02.61.06.41.41.20
8	2		hexagon nut self-locking low form DIN 985 - M6		02.32.00.60.01.20
9	1	352504	brake pad standard pre-mounted right		35.25.01.02.02.10
o.B.	1	352503	brake pad standard pre-mounted left		35.25.01.02.01.10
10	1				35.34.01.02.02.75
o.B.	1				35.34.01.02.01.75
11	1	352505	bracket 34 Bd 16x3x50		35.25.01.07.00.18
12-18	1	352508	mounting set knee lever brake		XXXXXXXXXXXX
12	2		lens head screw with hexagon socket ISO 7380 - M6x30		01.42.08.58.65.00
13	2		lock washer S6		02.99.10.60.01.10
14	2		fitted washer DIN 988 - 12x18x0,5		02.68.12.00.50.30
15	4		fender disc 8,4x16x1 PE		02.81.16.00.10.70
16	2				35.00.18.01.00.30
17	2		washer DIN 9021 - 6,4		02.79.06.41.60.20
18	2		hexagon nut self-locking low form DIN 985 - M6		02.32.00.60.01.20
19	1	350017	cap black 15x6,8		35.00.17.01.00.10
20-23	1	352518	brake bolt 40 mm left-hand thread incl. mounting set		35.25.01.18.00.10
o.B.	1	352506	brake bolt milled 40 mm incl. mounting set		35.25.01.15.00.10
altern.	1	352519	brake bolt 50 mm left-hand thread incl. mounting set		35.25.01.19.00.10
o.B.	1	352507	brake bolt milled 50 mm incl. mounting set		35.25.01.16.00.10
21	1		spring ring DIN 127- A6		02.85.30.60.05.10
22	1		lock washer S6		02.99.10.60.01.10
23	1		lens head screw with hexagon socket ISO 7380 , M6x20 left-hand thread		01.42.08.54.05.01
o.B.	1		lens head screw with hexagon socket ISO 7380 - M6x20		01.42.08.54.05.00

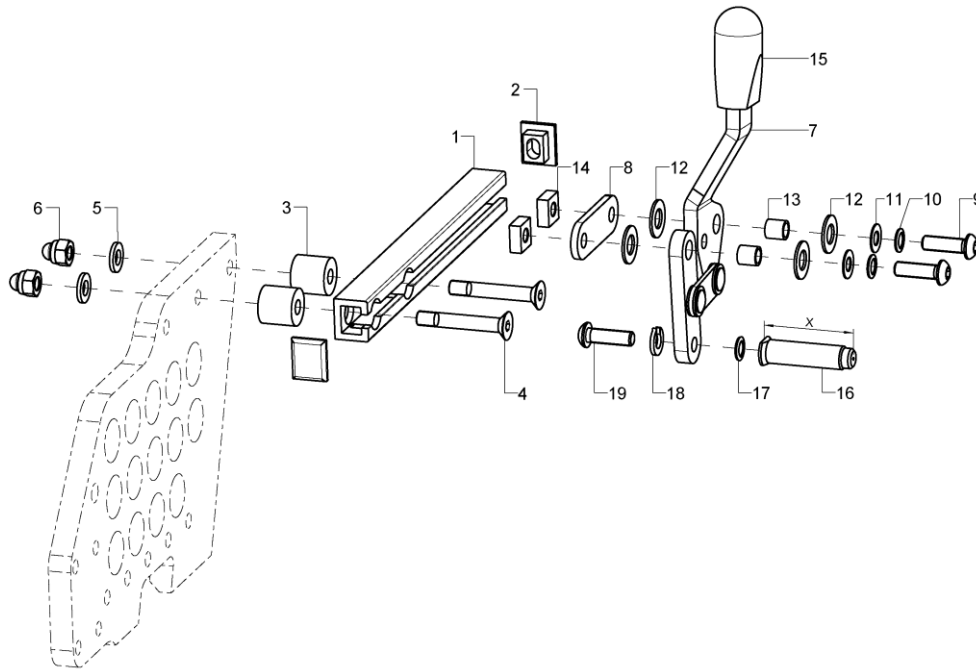


Knee lever brake, closed frame, without wheel base extension



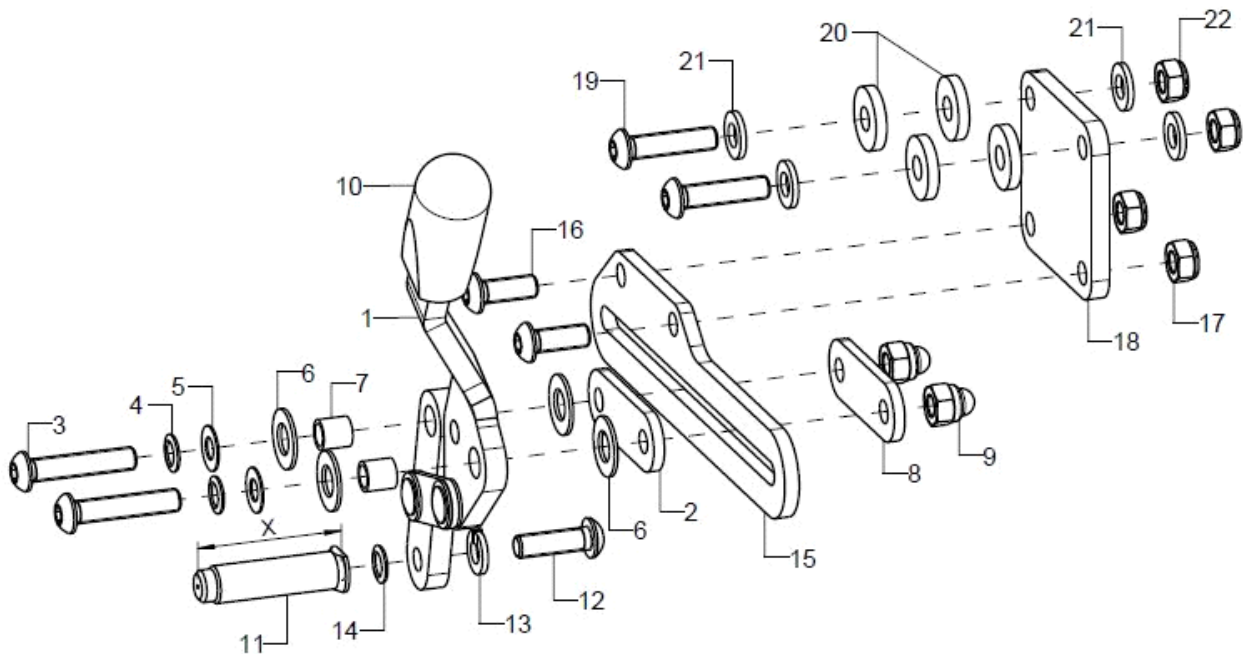
pcs.	Q/1	item no.	Product name:	Variant:	drawing no.
1-14	1	352502	knee lever brake standard right complete		XXXXXXXXXXXX
o.B.	1	352501	knee lever brake standard left complete		XXXXXXXXXXXX
1	1	352504	brake pad standard pre-mounted right		35.25.01.02.02.10
o.B.	1	352503	brake pad standard pre-mounted left		35.25.01.02.01.10
2	2	352505	bracket 34 Bd 16x3x50		35.25.01.07.00.18
3-9	2	352508	mounting set knee lever brake		XXXXXXXXXXXX
3	2		lens head screw with hexagon socket ISO 7380 - M6x30		01.42.08.58.65.00
4	2		lock washer S6		02.99.10.60.01.10
5	2		fitted washer DIN 988 - 6x12x0,5 - A2		02.68.06.00.50.30
6	4		fender disc 8,4x16x1 PE		02.81.16.00.10.70
7	2				35.00.18.01.00.30
8	1	352505	bracket 34 Bd 16x3x50		35.25.01.07.00.18
9	2		hexagon cap nut low form with clamp DIN 986 - M6		02.33.00.60.11.20
10	2	350017	cap black 15x6,8		35.00.17.01.00.10
11-14	1	352518	brake bolt 40 mm left-hand thread incl. mounting set		35.25.01.18.00.10
o.B.	1	352506	brake bolt milled 40 mm incl. mounting set		35.25.01.15.00.10
altern.	1	352519	brake bolt 50 mm left-hand thread incl. mounting set		35.25.01.19.00.10
o.B.	1	352507	brake bolt milled 50 mm incl. mounting set		35.25.01.16.00.10
12	1		lens head screw with hexagon socket ISO 7380 , M6x20 left-hand thread		01.42.08.54.05.01
o.B.	1		lens head screw with hexagon socket ISO 7380 - M6x20		01.42.08.54.05.00
13	1		spring ring DIN 127- A6		02.85.30.60.05.10
14	1		lock washer S6		02.99.10.60.01.10
15-17	1	59752502	braking rail long incl. mounting set		59.75.25.02.00.00
16	2		lens head screw with hexagon socket ISO 7380 - M6x16		01.42.08.52.65.00
17	2		hexagon nut self-locking low form DIN 985 - M6		02.32.00.60.01.20

Knee lever brake, closed frame, with wheel base extension



pcs.	Q/1	item no.	Product name:	Variant:	drawing no.
1-19	1	35251521			XX.XX.XX.XX.XX.XX
1-6	2	35251515			35.25.15.12.00.76
2	2				35.01.02.05.00.10
3	2	35310207			35.31.02.07.00.69
4	2		counter sunk screw with hexagon socket DIN 7991 M6x40		01.65.08.60.05.00
5	2		washer DIN 125 - A 6,4		02.61.06.41.41.20
6	2		hexagon cap nut low form with clamp DIN 986 - M6		02.33.00.60.11.20
7	1	352504	brake pad standard pre-mounted right		35.25.01.02.02.10
o.B.	1	352503	brake pad standard pre-mounted left		35.25.01.02.01.10
8	2	352505	bracket 34 Bd 16x3x50		35.25.01.07.00.18
9-14	2	352590			XX.XX.XX.XX.XX.XX
9	2		lens head screw with hexagon socket ISO 7380 - M6x20		01.42.08.54.05.00
10	2		lock washer S6		02.99.10.60.01.10
11	2		fitted washer DIN 988 - 12x18x0,5		02.68.12.00.50.30
12	4		fender disc 8,4x16x1 PE		02.81.16.00.10.70
13	2				35.00.18.01.00.30
14	2		square nut SW 12x5-M6		02.51.00.60.01.20
15	2	350017	cap black 15x6,8		35.00.17.01.00.10
16-19	1	352518	brake bolt 40 mm left-hand thread incl. mounting set		35.25.01.18.00.10
o.B.	1	352506	brake bolt milled 40 mm incl. mounting set		35.25.01.15.00.10
altern.	1	352519	brake bolt 50 mm left-hand thread incl. mounting set		35.25.01.19.00.10
o.B.	1	352507	brake bolt milled 50 mm incl. mounting set		35.25.01.16.00.10
17	1		lock washer S6		02.99.10.60.01.10
18	1		spring ring DIN 127- A6		02.85.30.60.05.10
19	1		lens head screw with hexagon socket ISO 7380 , M6x20 left-hand thread		01.42.08.54.05.01
o.B.	1		lens head screw with hexagon socket ISO 7380 - M6x20		01.42.08.54.05.00

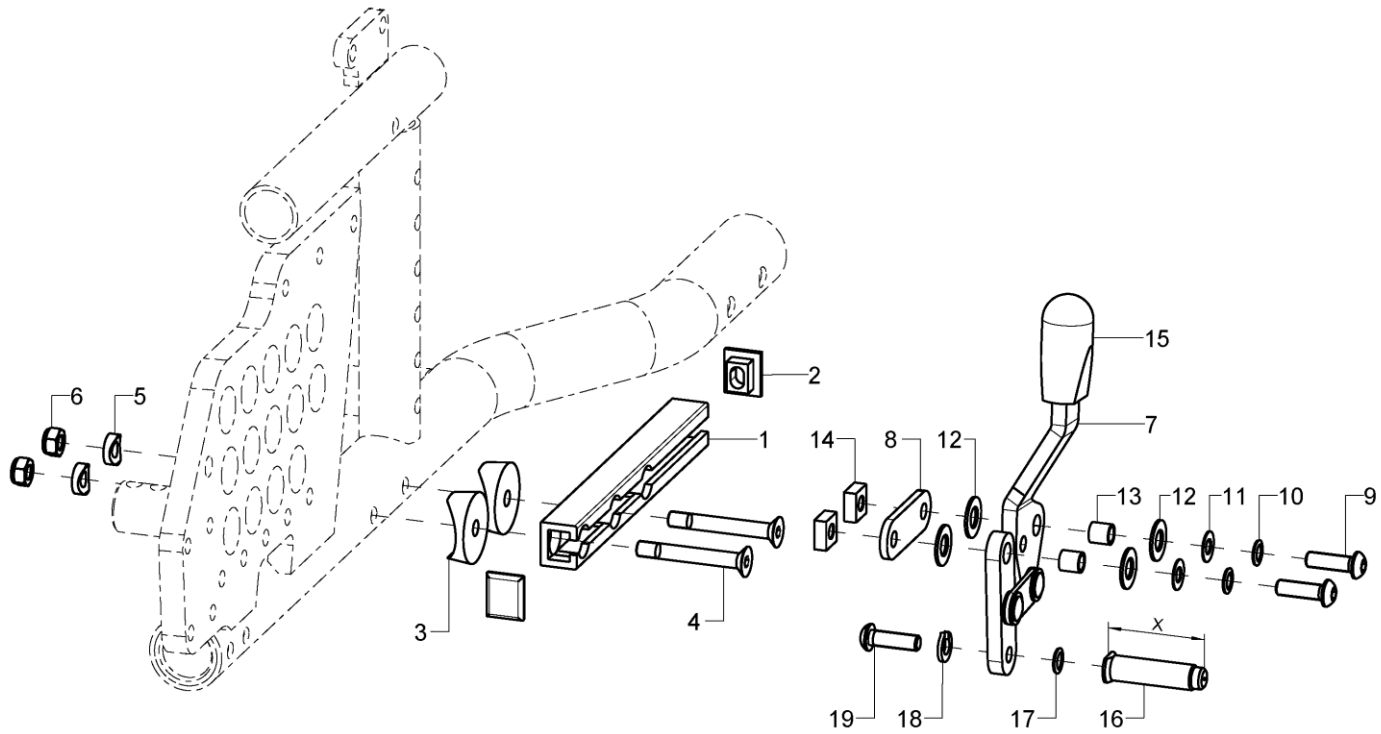
Knee lever brake, closed frame, with one hand brake and double hand rim



pcs.	Q/1	item no.	Product name:	Variant:	drawing no.
1-14	1	352502	knee lever brake standard right complete		XXXXXXXXXXXX
o.B.	1	352501	knee lever brake standard left complete		XXXXXXXXXXXX
1	1	352504	brake pad standard pre-mounted right		35.25.01.02.02.10
o.B.	1	352503	brake pad standard pre-mounted left		35.25.01.02.01.10
2	2	352505	bracket 34 Bd 16x3x50		35.25.01.07.00.18
3-9	2	352508	mounting set knee lever brake		XXXXXXXXXXXX
3	2		lens head screw with hexagon socket ISO 7380 - M6x30		01.42.08.58.65.00
4	2		lock washer S6		02.99.10.60.01.10
5	2		fitted washer DIN 988 - 6x12x0,5 - A2		02.68.06.00.50.30
6	4		fender disc 8,4x16x1 PE		02.81.16.00.10.70
7	2				35.00.18.01.00.30
8	1	352505	bracket 34 Bd 16x3x50		35.25.01.07.00.18
9	2		hexagon cap nut low form with clamp DIN 986 - M6		02.33.00.60.11.20
10	2	350017	cap black 15x6,8		35.00.17.01.00.10
11-14	1	352518	brake bolt 40 mm left-hand thread incl. mounting set		35.25.01.18.00.10
o.B.	1	352506	brake bolt milled 40 mm incl. mounting set		35.25.01.15.00.10
altern.	1	352519	brake bolt 50 mm left-hand thread incl. mounting set		35.25.01.19.00.10
o.B.	1	352507	brake bolt milled 50 mm incl. mounting set		35.25.01.16.00.10
12	1		lens head screw with hexagon socket ISO 7380 , M6x20 left-hand thread		01.42.08.54.05.01
o.B.	1		lens head screw with hexagon socket ISO 7380 - M6x20		01.42.08.54.05.00
13	1		spring ring DIN 127- A6		02.85.30.60.05.10
14	1		lock washer S6		02.99.10.60.01.10
15-17	1	59752502	braking rail long incl. mounting set		59.75.25.02.00.00
16	2		lens head screw with hexagon socket ISO 7380 - M6x16		01.42.08.52.65.00
17	2		hexagon nut self-locking low form DIN 985 - M6		02.32.00.60.01.20
18-22	1				35.25.15.14.00.76
19	2		lens head screw with hexagon socket ISO 7380 - M6x25		01.42.08.56.65.00
20	4		washer DIN 7349 - 6,4		02.77.06.53.00.20
21	4		washer DIN 125 - A 6,4		02.61.06.41.41.20
22	2		hexagon nut self-locking low form DIN 985 - M6		02.32.00.60.01.20

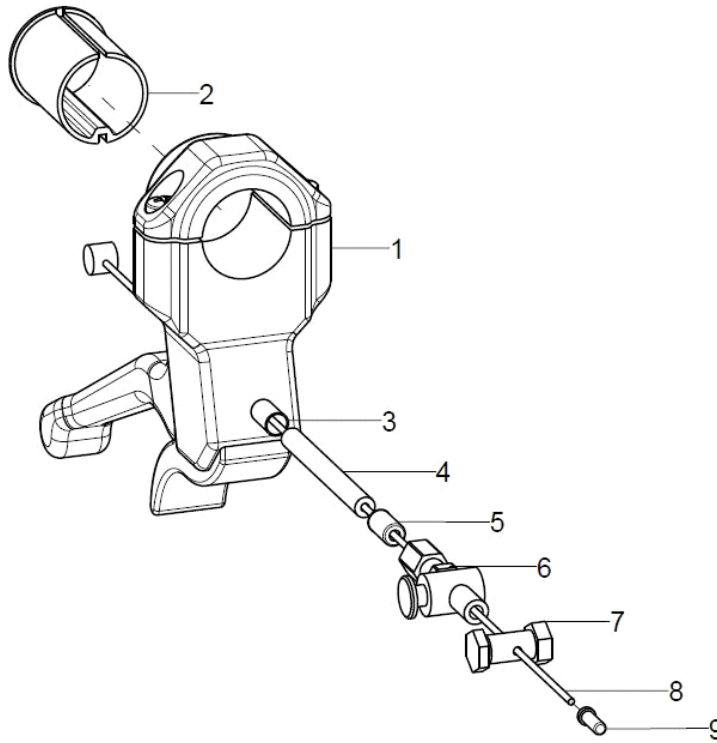


Knee lever brake for 12 inches rear wheels



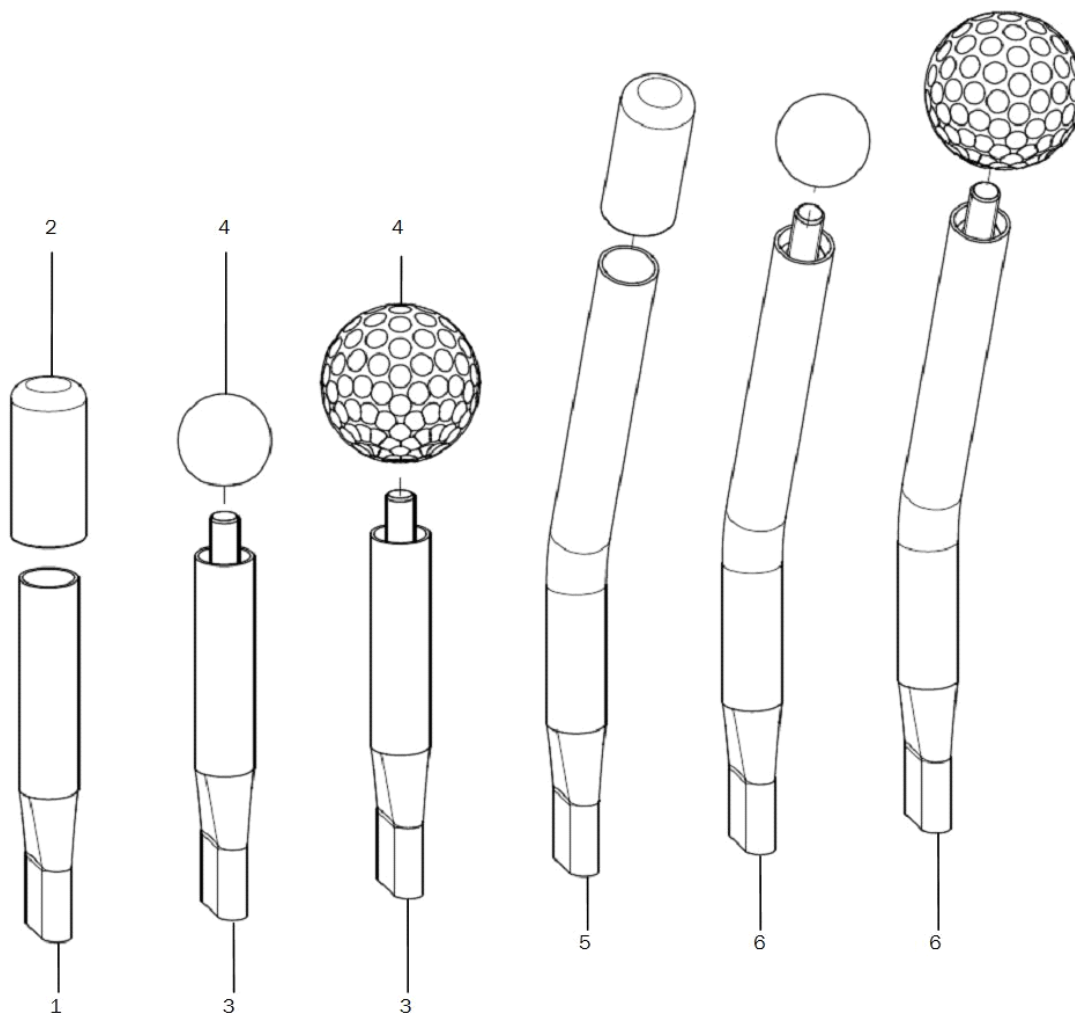
pcs.	Q/1	item no.	Product name:	Variant:	drawing no.
1-19	1	35251522			XX.XX.XX.XX.XX.XX
1-6	2	35251510			35.25.15.10.00.76
2	2				35.01.02.05.00.10
3	2				04.63.39.28.06.30
4	2		counter sunk screw with hexagon socket DIN 7991 M6X45		01.65.08.61.05.00
5	2		saddle washer Ø12/6x2,5		35.04.16.01.00.10
6	2		hexagon nut self-locking low form DIN 985 - M6		02.32.00.60.01.20
7	2	352504	brake pad standard pre-mounted right		35.25.01.02.02.10
o.B.	2	352503	brake pad standard pre-mounted left		35.25.01.02.01.10
8	2	352505	bracket 34 Bd 16x3x50		35.25.01.07.00.18
9-14	2	352590			XX.XX.XX.XX.XX.XX
9	2		lens head screw with hexagon socket ISO 7380 - M6x20		01.42.08.54.05.00
10	2		lock washer S6		02.99.10.60.01.10
11	2		fitted washer DIN 988 - 12x18x0,5		02.68.12.00.50.30
12	4		fender disc 8,4x16x1 PE		02.81.16.00.10.70
13	2				35.00.18.01.00.30
14	2		square nut SW 12x5-M6		02.51.00.60.01.20
15	2	350017	cap black 15x6,8		35.00.17.01.00.10
16-19	1	352518	brake bolt 40 mm left-hand thread incl. mounting set		35.25.01.18.00.10
o.B.	1	352506	brake bolt milled 40 mm incl. mounting set		35.25.01.15.00.10
altern.	1	352519	brake bolt 50 mm left-hand thread incl. mounting set		35.25.01.19.00.10
o.B.	1	352507	brake bolt milled 50 mm incl. mounting set		35.25.01.16.00.10
17	1		lock washer S6		02.99.10.60.01.10
18	1		spring ring DIN 127- A6		02.85.30.60.05.10
19	1		lens head screw with hexagon socket ISO 7380 , M6x20 left-hand thread		01.42.08.54.05.01
o.B.	1		lens head screw with hexagon socket ISO 7380 - M6x20		01.42.08.54.05.00

Brake handle for drum brake



pcs.	Q/1	item no.	Product name:	Variant:	drawing no.
1-9	2	352016	hand brake lever complete		XXXXXXXXXXXX
1+2	1	352010	hand brake lever for attendant brake incl. mounting set		04.54.92.22.20.10
2	1	352011			35.20.11.01.00.28
3-9	2	352006			35.20.06.99.00.10
3	1				04.54.91.50.11.21
4	1		outer shell for Bowden cable black 150mm		04.54.91.21.53.00
5	1		end bush metal $\phi 5$		04.54.91.50.10.41
6	1		set screw for Bowden cable M6x40 mm		04.54.01.40.60.20
7	1		clamp screw for bowden cable		04.54.11.30.00.20
8	1		inner Bowden cable 1,5x2250		04.54.91.11.52.20
9	1		end cap for inner Bowden cable $\phi 1-1,5$ mm		04.54.91.50.10.40

Brake lever extension



pcs.	Q/1	item no.	Product name:	Variant:	drawing no.
1-2	2	3510	brake lever extension with cap		35.01.03.02.00.10
2	2	351011	PVC cap one-hand brake		04.63.00.16.40.40
3-4	2	3512	brake lever extension 100 for ball knob		35.14.03.01.00.30
4	2	351016	ball knob		04.06.12.50.80.40
altern.	2	351211	golf ball		04.06.14.20.80.00
5+2	2	3515	brake lever extension 23° with cap		35.15.03.01.00.10
6+4	2	3516	brake lever extension 23° for ball knob		35.16.03.01.00.10