

# Dynamis TSD

## SPARE PARTS LIST



Dear customer,

in the following pages you will find a complete spare part list with all parts used to build our wheelchairs.

To ensure a accurate delivery of spare parts it is vital to provide the following information fro the identification label in addition to the Article-Number (Art.-No.).

To find the identification label on the chair please look up the following link for the exact location:

[http://www.sorgrollstuhltechnik.de/fileadmin/user\\_upload/pdf/Download/Finding\\_identification\\_label.pdf](http://www.sorgrollstuhltechnik.de/fileadmin/user_upload/pdf/Download/Finding_identification_label.pdf)

### 1. Serial number of the chair

The serial number enables us to identify the configuration of delivery of the specific chair in.

### 2. Seat width, seat depth and back height

The measures on the identification label are specified for the delivery configuration. If you changed any of these measures after delivery e.g. by growing the chair, please specify the actual new measures.

### 3. Lower leg length

We need the LLL to decide for the right version of several attachments which are connected to the LLL.

### 4. Frame colour

Please indicate the frame colour of the chair when ordering a powder coated spare part. Please note also if the finish alternative is shiny or matt.

### 5. Any other change after delivery (e.g. attachments)

We cannot know about changes after delivery. If you are not sure if such a change has any influence on the needed spare parts, please give us some details about it.

### List of abbreviations

Pcs.	piece number
item no	item number to order specific spare part
Q/1	quantity per wheelchair/assembly group
SW	seat width
SD	seat depth
BH	back height
alt.	alternative
l/r	left/right

### Handling annotations

Only items with item number are to order.

right / left are in relation to driving direction.

If you need further assistance, please contact us:

### **SORG Rollstuhltechnik GmbH & Co.KG**

Benzstraße 3-5

68794 Oberhausen-Rheinhausen

Fon +49 7254 - 9279 0

Fax +49 7254 - 9279 10

[info@sorgrollstuhltechnik.de](mailto:info@sorgrollstuhltechnik.de)

<http://www.sorgrollstuhltechnik.de>

Opening times:

Monday – Friday                      8.00 am – 4.30 pm

Technical alterations and misprints excluded.

Prices on demand.

## Contents

### **Frame**

Frame	1
Rigid frame, not possible with SW26 and SW28	3
Anti-tipper	4
Step tube 20, 22 and 24 inches	5
Step tube 16 inches	6

---

### **Leg support**

Leg support adapter	8
Leg support Standard	9
Adjustable foot plate	10
Mechanism for pointed foot suspension	12
Leg support for lower leg length	13
Mechanism for pointed foot suspension for lower leg length	14
Calf rest	15
Foot shell	16

---

### **Seat**

Seat frame	17
Gas pressure spring seat tilting	19
Seat shell	20
ERGO upholstery	21
Universal seat plate	22
Abduction wedge	23
Therapy table variant 2 (hinged sideways)	24
Therapy table variant 2 (attached to arm pads)	25

---

### **Back**

Back	26
Back guidance	28
Back guidance traverse	29
Dynamic head rest	32
Head rest standard	34
Push bow	35
Lower belt adapter	37
Upper belt adapter	38
Side truss pads	39
Side truss pads FIX for ERGO back	41

---

### **Side guard**

Arm pads	42
Arm pad 260x80mm	43
Wheel cover Long	44
Wheel cover adapter Short	45
Wheel cover 16 inches	46

---

## Contents

### **Caster wheel**

Caster wheel adapter	47
Caster wheel fork	49
Caster wheel	50

---

### **Rear wheel**

Adaptation plate 16 inch	51
16 inch wheel	52
Wheel base extension	53
Drum brake anchor	54
Wheels	55
Tyres	56
Hand rims	57
Hand rim covers	58
Spoke guards	59

---

### **Brakes**

Knee lever brake	61
Knee lever brake for 16 inches wheel	62
Brake lever extension	63
Brake lever for drum brake	64

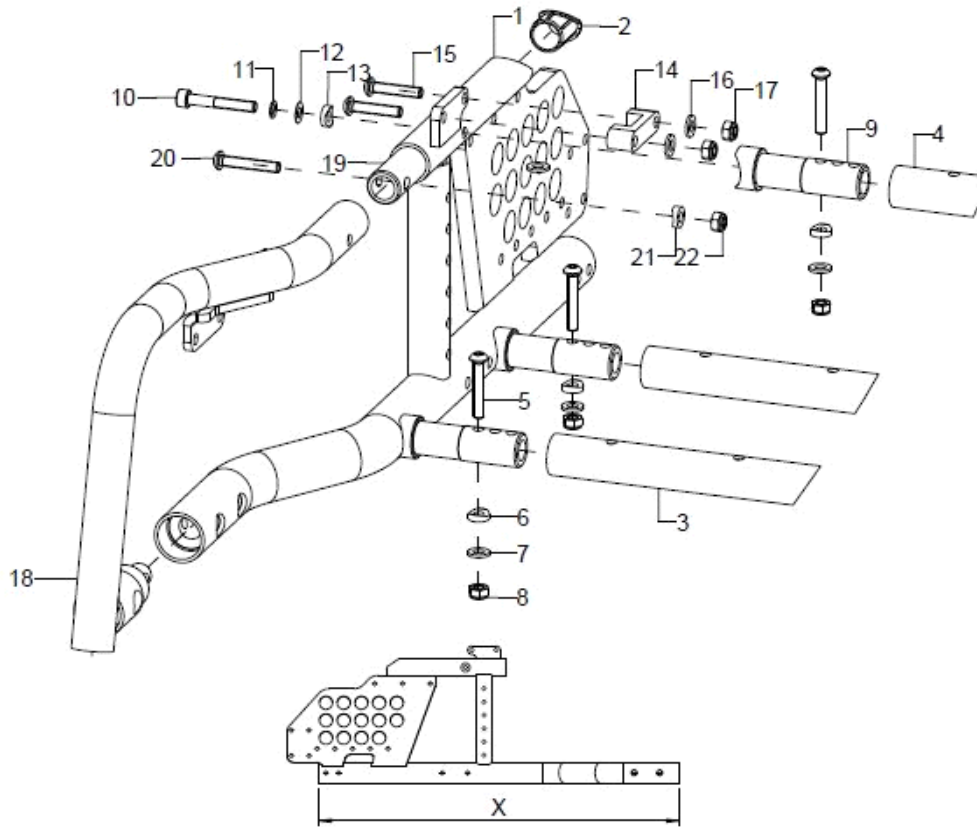
---

### **Options**

2 point pelvic belt with metal fastener	65
4 point pelvic belt with metal fastener	66
Chest shoulder belt	67

---

Frame

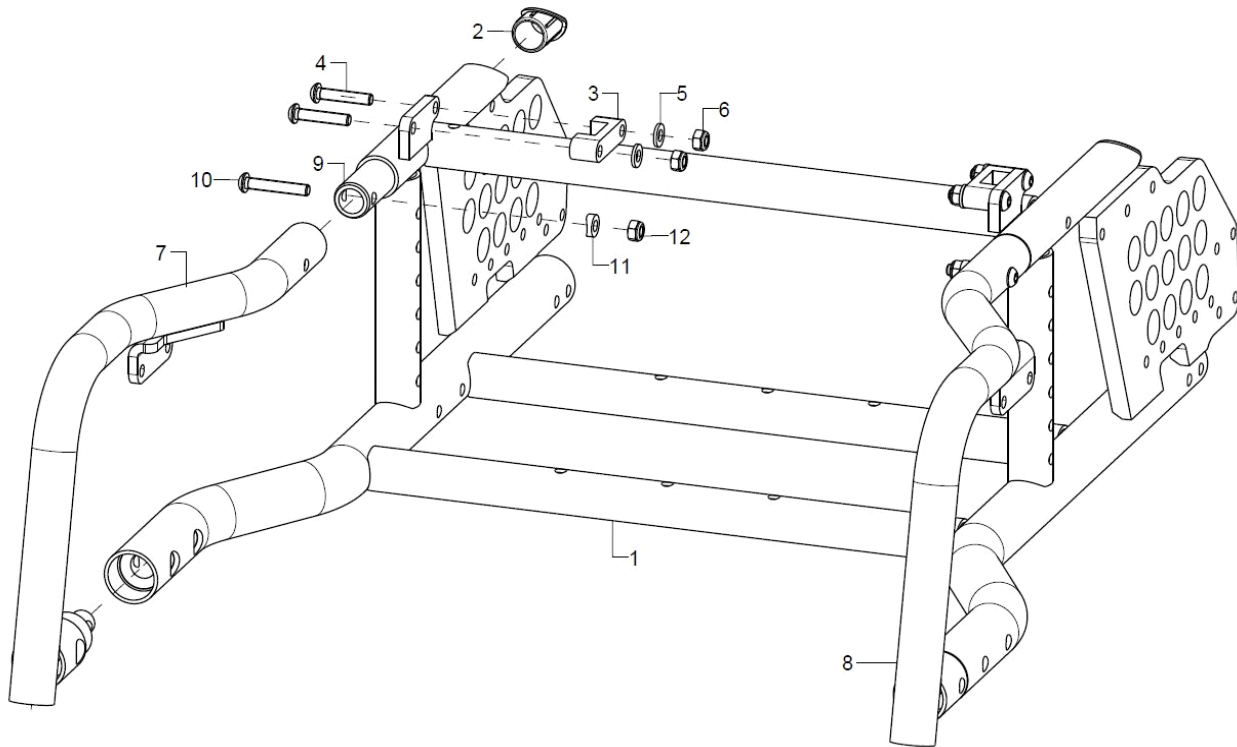


pcs.	Q/1	item no.	Product name:	Variant:	drawing no.
1+2	1	59760102			59.76.01.00.02.76
o.B.	1	59760101			59.76.01.00.01.76
1+2	1	59760202			59.76.02.00.02.76
o.B.	1	59760201			59.76.02.00.01.76
1+2	1	59760302			59.76.03.00.02.76
o.B.	1	59760301			59.76.03.00.01.76
2	1				59.80.10.01.00.80
3	2	58760100			58.76.01.01.00.76
4	1	583401SB	crossbar D=24x2xSW		58.34.01.00.00.69
4-8	3	583499	mounting set crossbar on frame		XXXXXXXXXXXX
5	2		lens head screw with hexagon socket ISO 7380 - M6x35		01.42.08.59.65.00
6	2		saddle washer Ø12/6x2,5		35.04.16.01.00.10
7	2		washer DIN 125 - A 6,4		02.61.06.41.41.20
8	2		hexagon nut self-locking low form DIN 985 - M6		02.32.00.60.01.20
9-12	2	583501	crossbar adapter		58.35.01.01.00.71
10	1				01.22.08.60.62.40
11	1		lock washer S6		02.99.10.60.01.10
12	1				02.68.06.00.30.30
13	1		saddle washer Ø12/6x2,5		35.04.16.01.00.10
14-17	2	59760110			59.76.01.10.00.76
15	2		lens head screw with hexagon socket ISO 7380 - M6x30		01.42.08.58.65.00
16	2		washer DIN 125 - A 6,4		02.61.06.41.41.20
17	2		hexagon nut self-locking low form DIN 985 - M6		02.32.00.60.01.20
18	1	59760502			59.76.05.00.02.76
o.B.	1	59760501			59.76.05.00.01.76

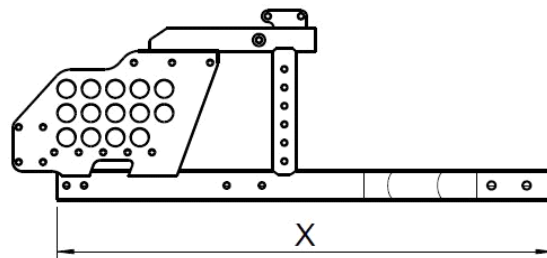


19	2	59760504		59.76.05.04.00.76
20-22	2	583499	mounting set crossbar on frame	XXXXXXXXXXXX
20	2		lens head screw with hexagon socket ISO 7380 - M6x35	01.42.08.59.65.00
21	2		saddle washer $\varnothing 12/6 \times 2,5$	35.04.16.01.00.10
22	2		hexagon nut self-locking low form DIN 985 - M6	02.32.00.60.01.20
23-25	1	59752502	braking rail long incl. mounting set	59.75.25.02.00.00
24	2		lens head screw with hexagon socket ISO 7380 - M6x16	01.42.08.52.65.00
25	2		hexagon nut self-locking low form DIN 985 - M6	02.32.00.60.01.20

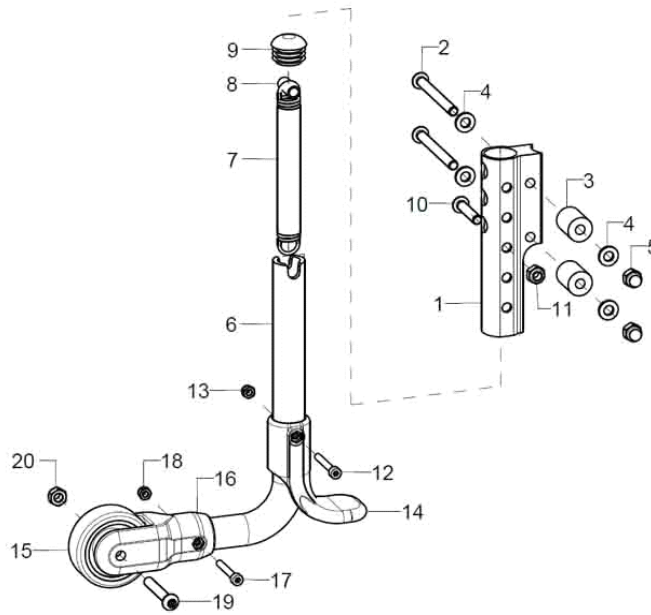
Rigid frame, not possible with SW26 and SW28



pcs.	Q/1	item no.	Product name:	Variant:	drawing no.
1+2	1	59761101			59.76.10.00.00.76
1+2	1	59761201			59.76.11.00.00.76
1+2	1	59761301			59.76.12.00.00.76
2	1				59.80.10.01.00.80
3-6	2	59760110			59.76.01.10.00.76
4	2		lens head screw with hexagon socket ISO 7380 - M6x30		01.42.08.58.65.00
5	2		washer DIN 125 - A 6,4		02.61.06.41.41.20
6	2		hexagon nut self-locking low form DIN 985 - M6		02.32.00.60.01.20
7	1	59760502			59.76.05.00.02.76
8	1	59760501			59.76.05.00.01.76
9	2	59760504			59.76.05.04.00.76
10-12	2	583499	mounting set crossbar on frame		XXXXXXXXXXXX
10	2		lens head screw with hexagon socket ISO 7380 - M6x35		01.42.08.59.65.00
11	2		saddle washer $\varnothing 12/6 \times 2,5$		35.04.16.01.00.10
12	2		hexagon nut self-locking low form DIN 985 - M6		02.32.00.60.01.20



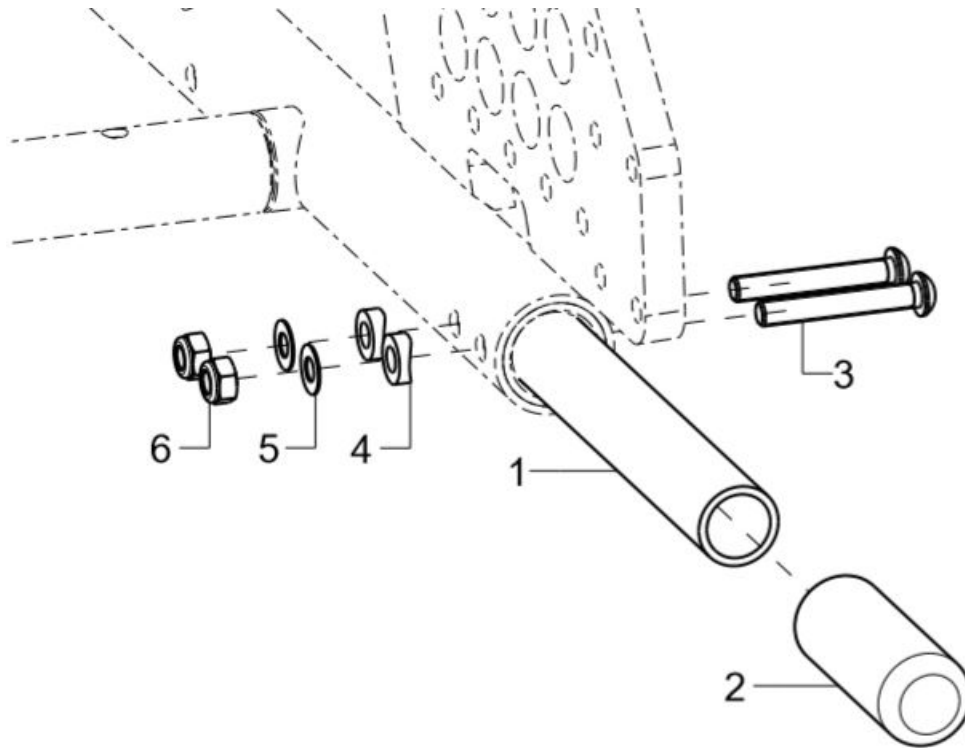
Anti-tipper



pcs.	Q/1	item no.	Product name:	Variant:	drawing no.
1-20	1	721501	anti-tipper compl., pos. 1 + mounting set A+ anti-tipper bail premounted for 20/22" size driving wheel		72.15.01.02.00.74
1-20	1	721502	anti-tipper compl., pos. 1 + mounting set A+ anti-tipper bail premounted for 24" size driving wheel		72.15.01.03.00.74
1	1	72150106	anti-tipper holder		72.15.01.06.00.74
2-5	1	7215010699	mounting set anti-tipper holder		XXXXXXXXXXXX
2	2		lens head screw with hexagon socket ISO 7380 - M6x35		01.42.08.59.65.00
altern.	2		lens head screw with hexagon socket ISO 7380 - M6x40		01.42.08.60.65.00
altern.	2		lens head screw with hexagon socket ISO 7380 - M6x55		01.42.08.63.65.00
altern.	2				01.42.08.64.65.00
altern.	2				
3	2				72.15.76.02.00.76
4	4		washer DIN 125 - A 6,4		02.61.06.41.41.20
5	2		hexagon cap nut low form with clamp DIN 986 - M6		02.33.00.60.11.20
6-20	1	72150001	anti-tipper bail premounted for 20/22" size driving wheels		
6-20	1	72150002	anti-tipper bail premounted for 24" size driving wheels		
6	1		anti-tipper bail		72.15.01.XX.00.74
7-13	1	72150107	tension spring, loop 180°, 1/1 centred, 13,5x2x113		04.22.01.41.13.00
8	1		spacer bushing 18,4 mm		45.03.10.00.00.73
9	1		plugs for tube ø22x1-2, black		04.63.10.22.00.10
10	1		lens head screw with hexagon socket ISO 7380 - M6x30		01.42.08.58.65.00
11	1		hexagon nut self-locking low form DIN 985 - M6		02.32.00.60.01.20
12	1		cylinder screw DIN 912 M4x30		01.22.07.38.62.40
13	1				02.33.00.40.01.20
14	1	72150104	tipping lever black		72.15.01.04.00.74
15	1	720004	wheel ø50, width 18, nob width 20, axle ø 6, PU grey		04.52.42.50.00.30
16-20	1	72150101	holder anti-tipper for wheel ø50 mm, incl. mounting set		72.15.01.01.00.74
17	1		cylinder screw DIN 912 M4x30		01.22.07.38.62.40
18	1				02.33.00.40.01.20
19	1		lens head screw with hexagon socket ISO 7380 - M6x40		01.42.08.60.65.00
20	1		hexagon cap nut low form with clamp DIN 986 - M6		02.33.00.60.11.20

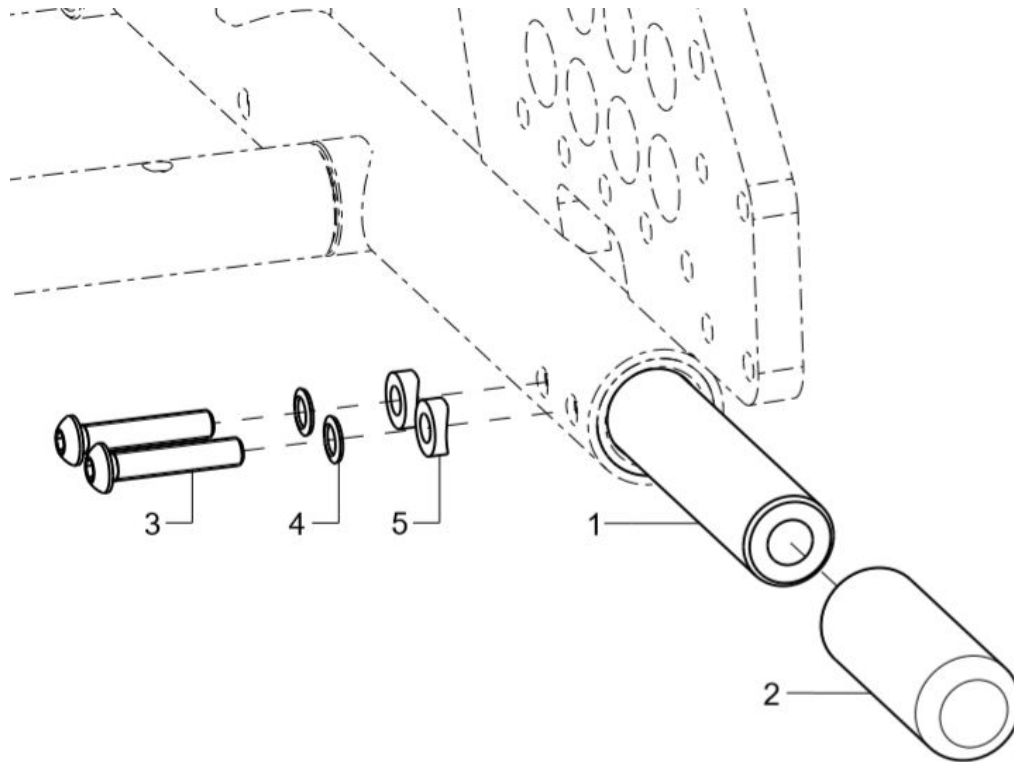


Step tube 20, 22 and 24 inches



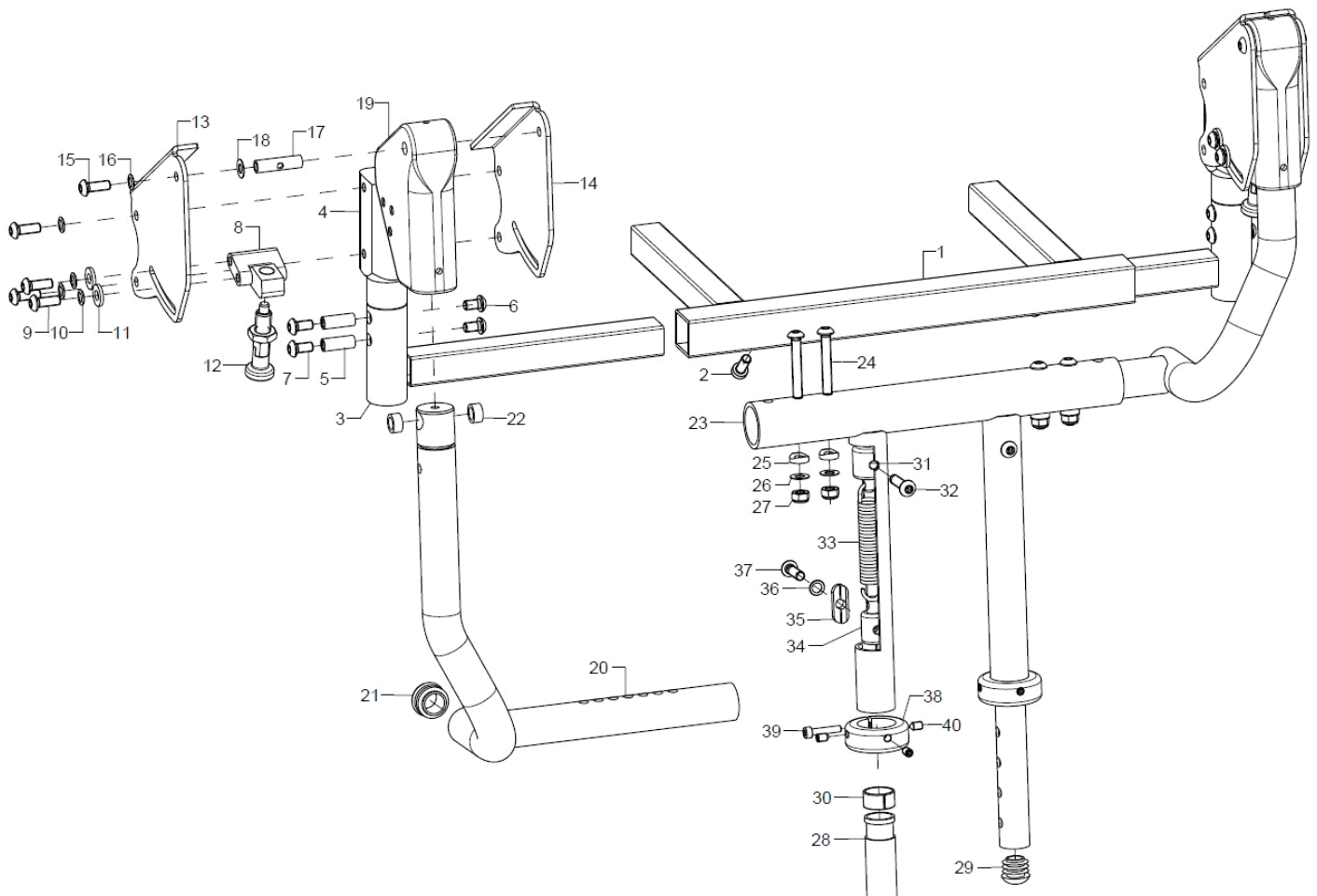
pcs.	Q/1	item no.	Product name:	Variant:	drawing no.
1-6	1	7407			
1	1		tipping lever		74.07.01.01.00.76
2	1	740102	covered cap		74.01.02.01.00.10
3	2		lens head screw with hexagon socket ISO 7380 - M6x40		01.42.08.60.65.00
4	2		saddle washer $\varnothing 12/6 \times 2,5$		35.04.16.01.00.10
5	2		fitted washer DIN 988 - 6x12x0,5 - A2		02.68.06.00.50.30
6	2		hexagon nut self-locking low form DIN 985 - M6		02.32.00.60.01.20

Step tube 16 inches



pcs.	Q/1	item no.	Product name:	Variant:	drawing no.
1-5	1	740705			
1	1				74.07.01.05.00.76
2	1	740102	covered cap		74.01.02.01.00.10
3	2		lens head screw with hexagon socket ISO 7380 - M6x30		01.42.08.58.65.00
4	2		lock washer S6		02.99.10.60.01.10
5	2		saddle washer $\varnothing 12/6 \times 2,5$		35.04.16.01.00.10

Leg support adapter

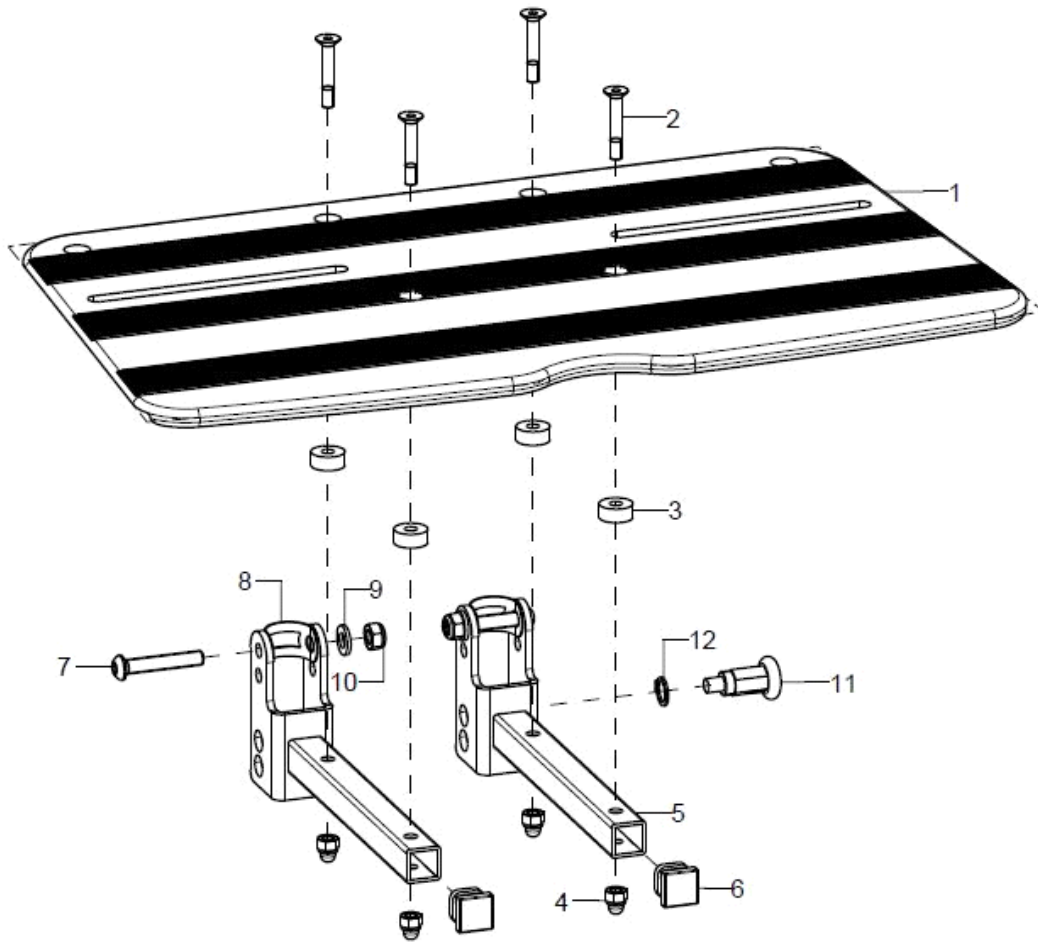




pcs.	Q/1	item no.	Product name:	Variant:	drawing no.
1-2	1	40540101			40.54.02.10.00.82
altern.	1				40.54.02.11.00.82
2	2		cylinder screw, low head DIN 7984-M6x16		01.24.08.52.05.00
3	2	40540102			40.54.01.00.00.82
4-7	2	40540103			40.54.01.02.00.82
5	2		bushing M6x20,5		40.39.01.04.00.69
6	2		lens head screw with hexagon socket ISO 7380 - M6x10		01.42.08.48.65.00
7	2		lens head screw with hexagon socket ISO 7380 - M6x12		01.42.08.49.65.00
8-11	2	40540104			40.54.01.04.00.82
9	4		lens head screw with hexagon socket ISO 7380 - M6x16		01.42.08.52.65.00
10	4		lock washer S6		02.99.10.60.01.10
11	4		washer reinforced $\varnothing 14/6,2 \times 2$		58.30.15.01.00.24
12	2				04.14.44.60.12.40
13-18	2	40540105			
13	1				40.54.01.03.02.82
14	1				40.54.01.03.01.82
15	3		lens head screw with hexagon socket ISO 7380 - M6x16		01.42.08.52.65.00
16	3		lock washer S6		02.99.10.60.01.10
17	1				40.54.02.05.00.82
18	2		fitted washer DIN 988 - 6x12x0,5 - A2		02.68.06.00.50.30
19	2	40540201			40.54.02.99.00.82
20-22	1	40540204			40.54.02.00.02.82
o.B.	1	40540203			40.54.02.00.01.82
21	1		plugs for tube $\varnothing 22 \times 1-2$ , black		04.63.10.22.00.10
22	2				04.31.16.06.12.00
23-27	1	40540301			40.54.03.00.00.82
altern.	1				40.54.05.00.00.82
24	4		lens head screw with hexagon socket ISO 7380 - M6x40		01.42.08.60.65.00
25	4		saddle washer $\varnothing 12/6 \times 2,5$		35.04.16.01.00.10
26	4		fitted washer DIN 988 - 6x12x0,5 - A2		02.68.06.00.50.30
27	4		hexagon nut self-locking low form DIN 985 - M6		02.32.00.60.01.20
28-30	2	40540302			40.54.03.03.01.82
o.B.	2	40540303			40.54.03.03.02.82
29	1		plugs for tube $\varnothing 18 \times 1-2$ , black		04.63.10.18.00.10
30	1				40.50.23.00.00.10
31-37	2	40540305			
31	2				40.54.03.05.00.82
32	1		lens head screw with hexagon socket ISO 7380 - M6x25		01.42.08.56.65.00
33	2				04.22.01.40.76.00
altern.	2				04.22.01.40.75.00
34	2				40.50.25.00.00.10
35	1				40.50.24.00.00.10
36	1		lock washer S6		02.99.10.60.01.10
37	1		lens head screw with hexagon socket ISO 7380 - M6x20		01.42.08.54.05.00
38-40	2	405022			40.50.22.00.00.10
39	1				01.22.07.34.62.40
40	3				01.67.07.86.61.21

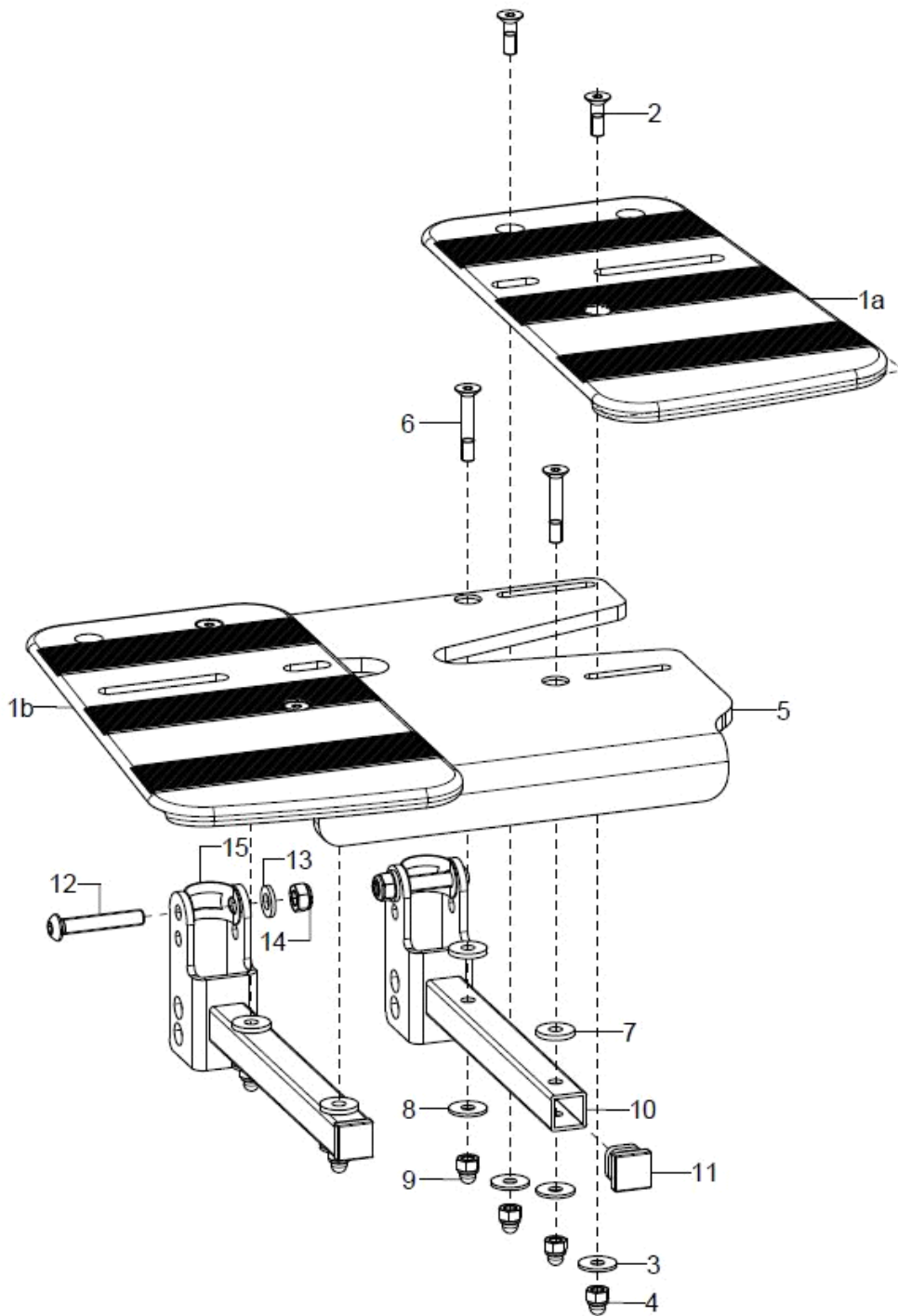
**Leg support Standard**

Dimensions from top edge of seat to top edge of footplate: 31 - 45 cm



pcs.	Q/1	item no.	Product name:	Variant:	drawing no.
1-4	1	40551200	foot rest 230 mm continuous incl. mounting set		40.55.12.00.00.76
2	4		counter sunk screw with hexagon socket DIN 7991 M5x30		01.65.07.98.05.00
3	4		bushing $\varnothing 14/5,2 \times 6$		40.55.00.01.00.76
4	4		hexagon cap nut low form with clamp DIN 986 - M5		02.33.00.60.21.20
5-10	2	400103	foot plate joint holder 100720 for continuous foot plate incl. mounting set		40.01.03.02.99.28
6	1	401107	end plug 15x15 black, 4 piece set		04.63.11.15.00.10
7	1		lens head screw with hexagon socket ISO 7380 - M6x35		01.42.08.59.65.00
8	1				40.54.03.04.00.82
9	1		washer DIN 125 - A 6,4		02.61.06.41.41.20
10	1		hexagon nut self-locking low form DIN 985 - M6		02.32.00.60.01.20
11+12	1	690101	latch $\varnothing 6/M10 \times 1 \times 31$ with lock		04.14.43.60.02.00
12	1		lock ring 10, DIN 471		03.01.01.00.93.00

Adjustable foot plate

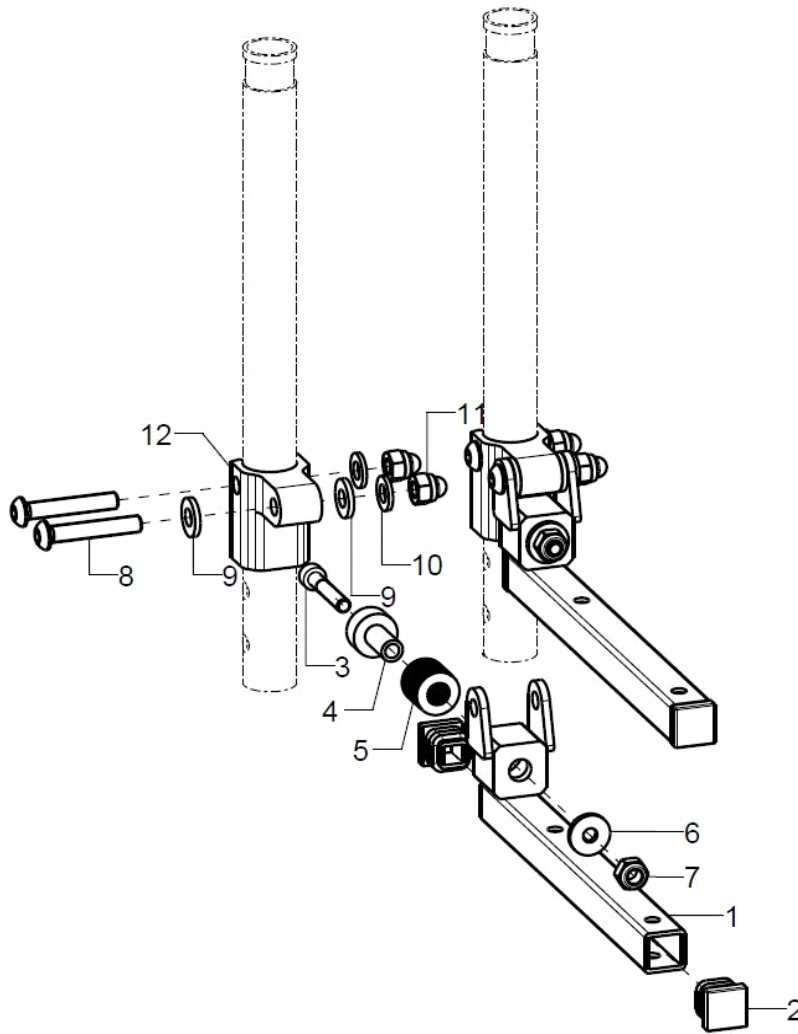


pcs.	Q/1	item no.	Product name:	Variant:	drawing no.
1-4	1	40551400	foot rest 230 mm divided, incl. mounting set		40.55.14.00.00.76
2	2		counter sunk screw with hexagon socket DIN 7991 M5x16		01.65.07.92.05.00
3	2		washer DIN 9021 - M5		02.79.05.31.20.20
4	2		hexagon cap nut low form with clamp DIN 986 - M5		02.33.00.60.21.20
5-9	1	40551405			40.55.16.00.00.76
6	4		counter sunk screw with hexagon socket DIN 7991 M5x30		01.65.07.98.05.00
7	4		washer DIN 7349 - 5,3		02.77.05.22.00.20
9	4		washer DIN 9021 - M5		02.79.05.31.20.20
8	4		hexagon cap nut low form with clamp DIN 986 - M5		02.33.00.60.21.20
10-15	2	400103	foot plate joint holder 100720 for continuous foot plate incl. mounting set		40.01.03.02.99.28



11	1	401107	end plug 15x15 black, 4 piece set	04.63.11.15.00.10
12	1		lens head screw with hexagon socket ISO 7380 - M6x35	01.42.08.59.65.00
13	1		washer DIN 125 - A 6,4	02.61.06.41.41.20
14	1		hexagon nut self-locking low form DIN 985 - M6	02.32.00.60.01.20
15	1			40.54.03.04.00.82

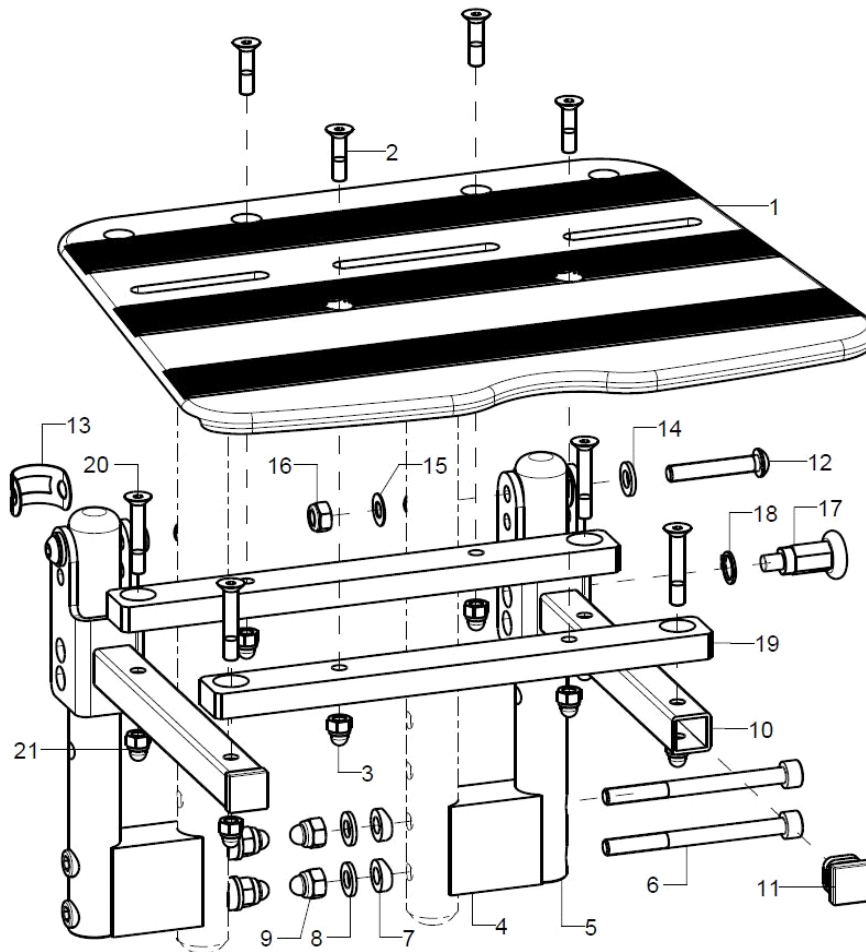
**Mechanism for pointed foot suspension**



pcs.	Q/1	item no.	Product name:	Variant:	drawing no.
1-12	2	40540401			40.54.03.11.00.82
2	2	401107	end plug 15x15 black, 4 piece set		04.63.11.15.00.10
3	1				01.22.07.98.62.40
4	1				40.52.07.03.00.24
5	15				04.24.07.90.10.00
6	1		washer DIN 7349 - 5,3		02.77.05.22.00.20
7	1		hexagon nut self-locking low form DIN 985 - M5		02.32.00.50.01.20
8	2		lens head screw with hexagon socket ISO 7380 - M6x35		01.42.08.59.65.00
9	2				02.61.06.42.00.70
10	2		washer DIN 125 - A 6,4		02.61.06.41.41.20
11	2		hexagon cap nut low form with clamp DIN 986 - M6		02.33.00.60.11.20
12+8-11	2	40540402			40.54.03.10.00.82

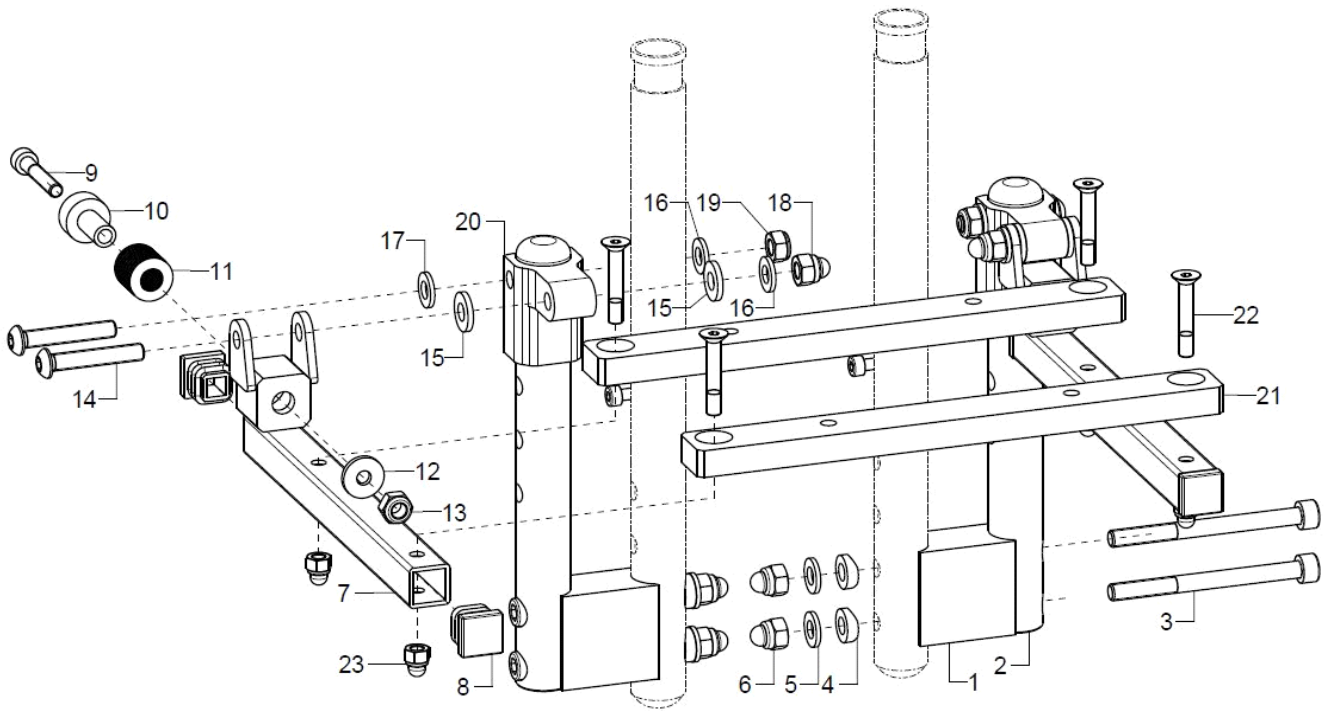


Leg support for lower leg length



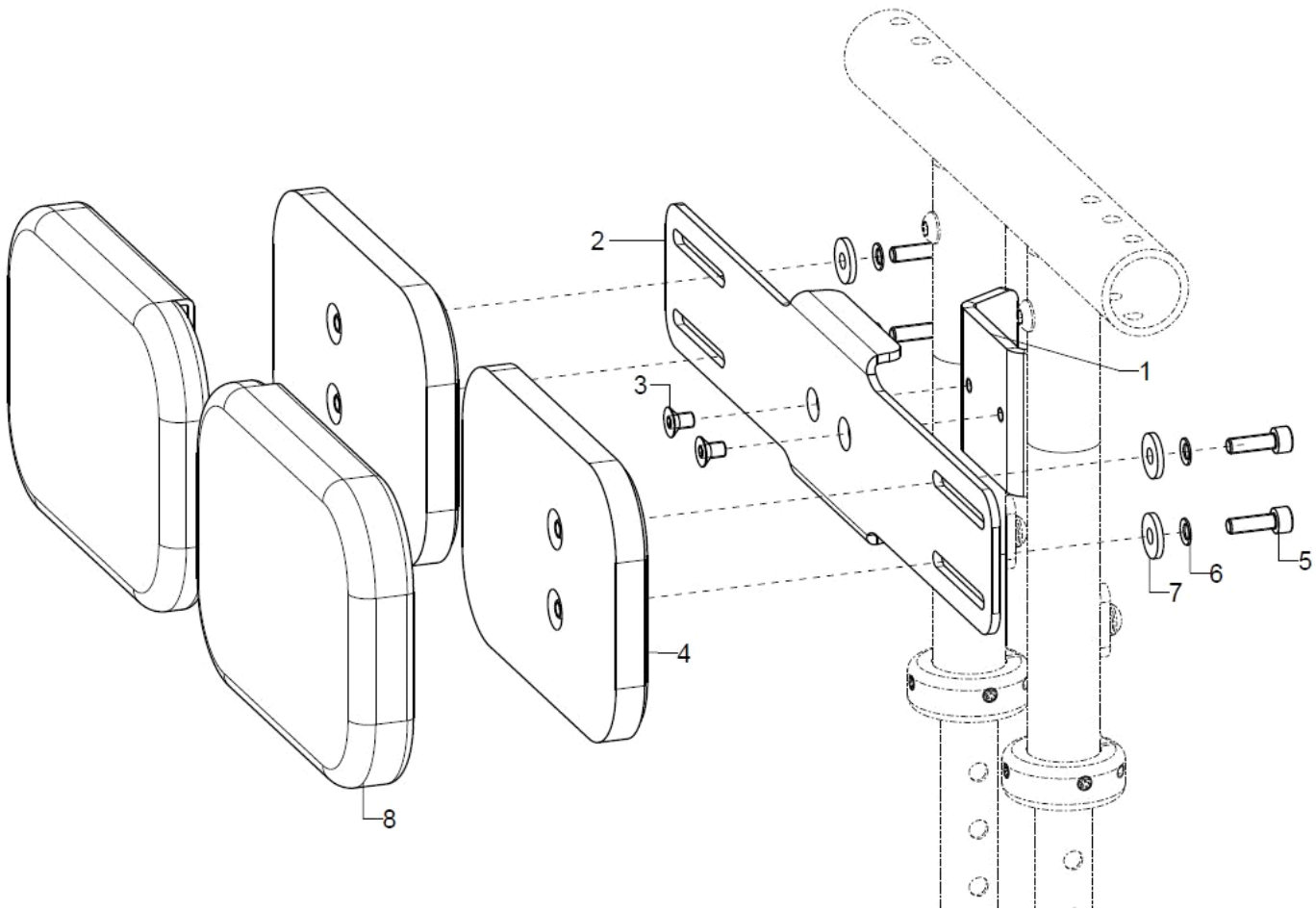
pcs.	Q/1	item no.	Product name:	Variant:	drawing no.
1-3	1	40551200	foot rest 230 mm continuous incl. mounting set		40.55.12.00.00.76
2	4		counter sunk screw with hexagon socket DIN 7991 M5x20		01.65.07.94.05.00
3	4		hexagon cap nut low form with clamp DIN 986 - M5		02.33.00.60.21.20
4-21	1	40540500			
4	2	40540501			40.54.04.03.00.82
5-9	2	40540502			40.54.04.02.00.82
6	2				01.22.08.66.02.40
7	2		saddle washer $\varnothing 12/6 \times 2,5$		35.04.16.01.00.10
8	2		washer DIN 125 - A 6,4		02.61.06.41.41.20
9	2		hexagon cap nut low form with clamp DIN 986 - M6		02.33.00.60.11.20
10-15	2	400103	foot plate joint holder 100720 for continuous foot plate incl. mounting set		40.01.03.02.99.28
11	2	401107	end plug 15x15 black, 4 piece set		04.63.11.15.00.10
12	1		lens head screw with hexagon socket ISO 7380 - M6x35		01.42.08.59.65.00
13	1				40.54.03.04.00.82
14	1		washer DIN 125 - A 6,4		02.61.06.41.41.20
15	1		fitted washer DIN 988 - 6x12x0,5 - A2		02.68.06.00.50.30
16	1		hexagon nut self-locking low form DIN 985 - M6		02.32.00.60.01.20
17+18	1	690101	latch $\varnothing 6/M10 \times 1 \times 31$ with lock		04.14.43.60.02.00
18	1		lock ring 10, DIN 471		03.01.01.00.93.00
20	2		counter sunk screw with hexagon socket DIN 7991 M5x30		01.65.07.98.05.00
19-21	2	40540503			40.54.04.05.00.82
21	2		hexagon cap nut low form with clamp DIN 986 - M5		02.33.00.60.21.20

Mechanism for pointed foot suspension for lower leg length



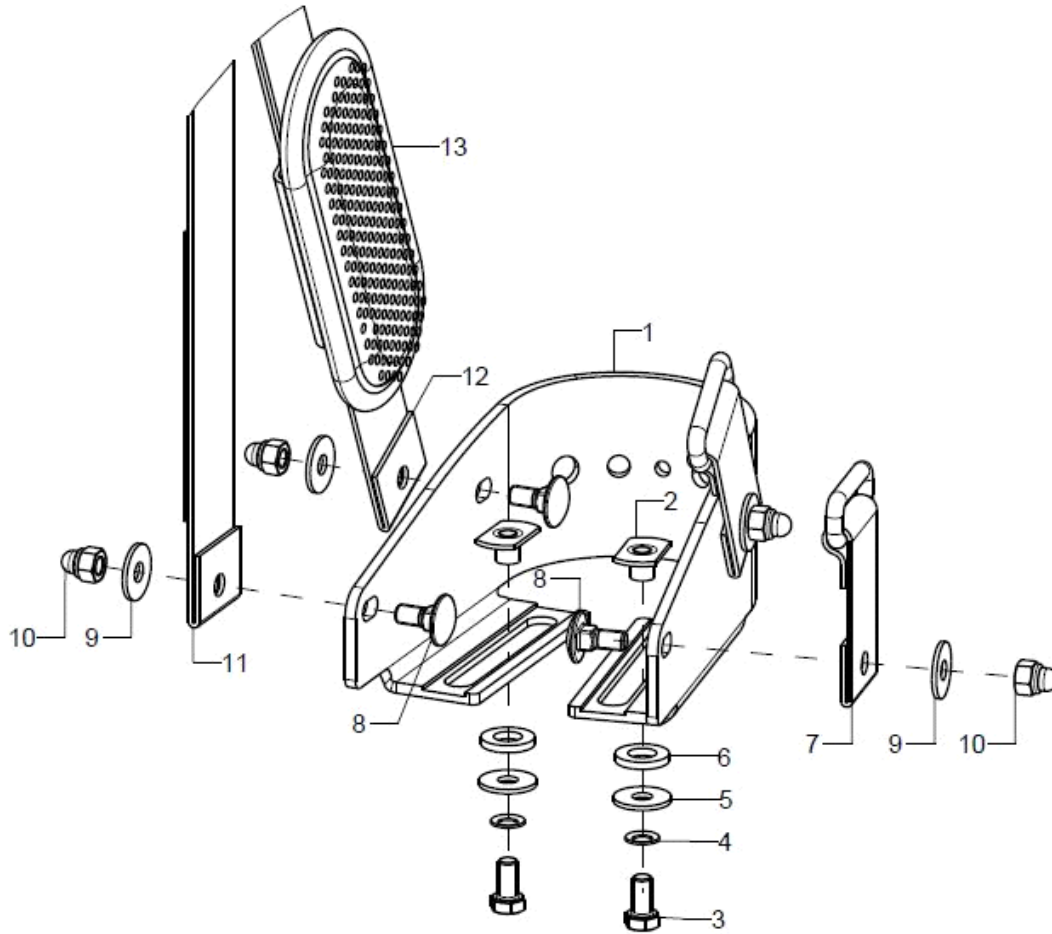
pcs.	Q/1	item no.	Product name:	Variant:	drawing no.
1	2	40540501			40.54.04.03.00.82
2-6	2	40540502			40.54.04.02.00.82
3	2				01.22.08.66.02.40
4	2		saddle washer Ø12/6x2,5		35.04.16.01.00.10
5	2		washer DIN 125 - A 6,4		02.61.06.41.41.20
6	2		hexagon cap nut low form with clamp DIN 986 - M6		02.33.00.60.11.20
7-19	2	40540401			40.54.03.11.00.82
8	2	401107	end plug 15x15 black, 4 piece set		04.63.11.15.00.10
9	1				01.22.07.98.62.40
10	1				40.52.07.03.00.24
11	15				04.24.07.90.10.00
12	1		washer DIN 7349 - 5,3		02.77.05.22.00.20
13	2		hexagon nut self-locking low form DIN 985 - M5		02.32.00.50.01.20
14	2		lens head screw with hexagon socket ISO 7380 - M6x35		01.42.08.59.65.00
15	2				02.61.06.42.00.70
16	2		washer DIN 125 - A 6,4		02.61.06.41.41.20
17	1		washer reinforced Ø14/6,2x2		58.30.15.01.00.24
18	1		hexagon cap nut low form with clamp DIN 986 - M6		02.33.00.60.11.20
19	1		hexagon nut self-locking low form DIN 985 - M6		02.32.00.60.01.20
20+14-19	2	40540402			40.54.03.10.00.82
21-23	2	40540503			40.54.04.05.00.82
22	2		counter sunk screw with hexagon socket DIN 7991 M5x30		01.65.07.98.05.00
23	2		hexagon cap nut low form with clamp DIN 986 - M5		02.33.00.60.21.20

Calf rest



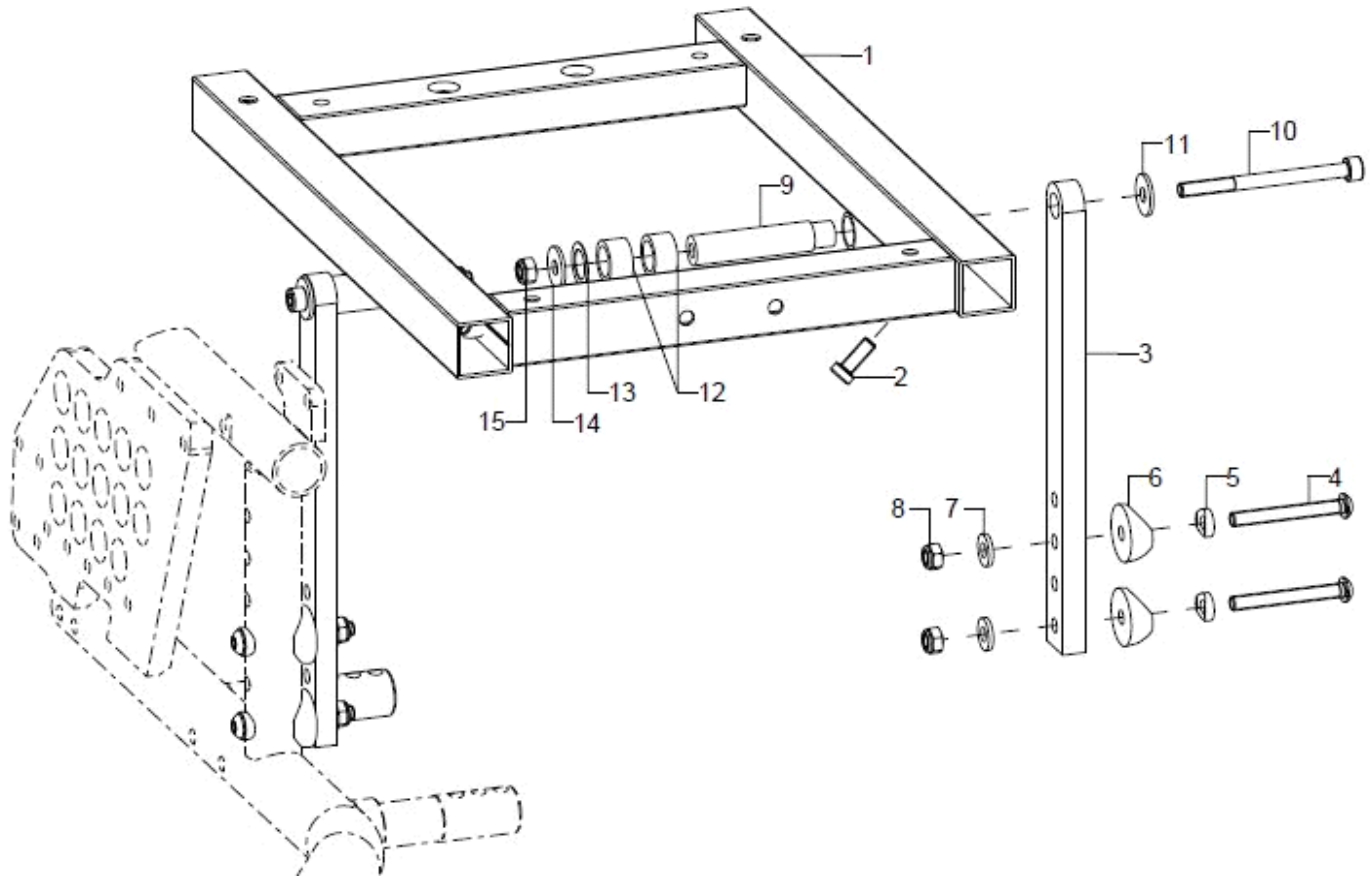
pcs.	Q/1	item no.	Product name:	Variant:	drawing no.
1-8	1	40300700			
altern.	1	40300701			
1-3	1	40300702			40.30.07.99.00.82
altern.	1	40300703			40.30.08.01.00.82
1	1				40.30.07.01.00.82
2	1				40.30.07.02.00.82
3	2		counter sunk screw with hexogon socket DIN 7991 M5x8		01.65.07.87.05.00
altern.	2	40300705			40.30.07.04.99.82
4-8	2	40300805			40.30.08.04.99.82
5	2		cylinder head screw DIN 912 M5x16		01.22.07.92.72.40
6	2		lock washer S5		02.99.10.50.01.10
7	2		washer DIN 7349 - 5,3		02.77.05.22.00.20
8	2				68.59.01.26.04.00
altern.	2				68.59.01.23.04.00

Foot shell



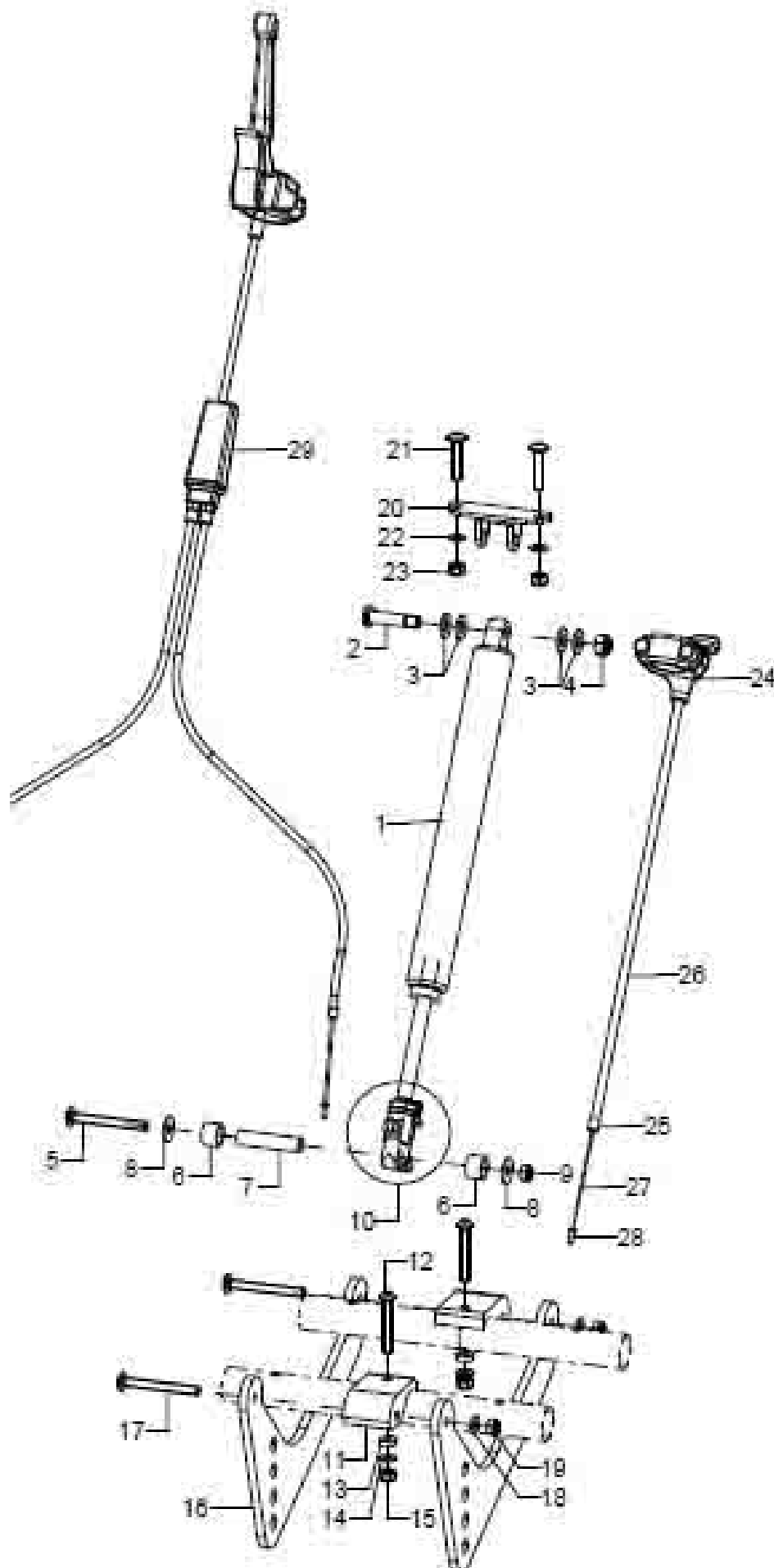
pcs.	Q/1	item no.	Product name:	Variant:	drawing no.
1-6	2	40551501			40.55.15.01.00.76
altern.	2	40551502			40.55.15.02.00.76
altern.	2	40551503			40.55.15.03.00.76
2	1		weld nut C- M5x7,5		02.49.33.03.00.10
3	1				01.04.07.88.02.40
4	1		lock washer S5		02.99.10.50.01.10
5	1		washer DIN 9021 -6,4		02.79.06.41.60.20
6	1				02.83.07.42.00.80
7-13	2	40201501			
altern.	2	40201502			
altern.	2	40201503			

Seat frame



pcs.	Q/1	item no.	Product name:	Variant:	drawing no.
1+2	1	19290100			19.29.01.00.00.82
altern.	1				19.29.05.00.00.82
2	2		cylinder screw, low head DIN 7984-M6x16		01.24.08.52.05.00
3-8	2	19290110			19.29.01.10.00.82
4	2		lens head screw with hexagon socket ISO 7380 - M6x50		01.42.08.62.65.00
5	2		saddle washer $\varnothing 12/6 \times 2,5$		35.04.16.01.00.10
6	2		saddle washer black $\varnothing 24/6$		04.63.39.24.06.30
7	2		washer reinforced $\varnothing 14/6,2 \times 2$		58.30.15.01.00.24
8	2		hexagon nut self-locking low form DIN 985 - M6		02.32.00.60.01.20
9-15	2	19290111			19.29.01.11.00.82
altern.	2				19.29.01.13.00.82
10	1				01.22.08.67.02.40
11	1		washer DIN 9021 -6,4		02.79.06.41.60.20
12	2				19.29.01.12.00.82
13	1		fitted washer DIN 988 - 12x18x0,5		02.68.12.00.50.30
14	1		washer DIN 9021 -6,4		02.79.06.41.60.20
15	1		hexagon nut self-locking low form DIN 985 - M6		02.32.00.60.01.20

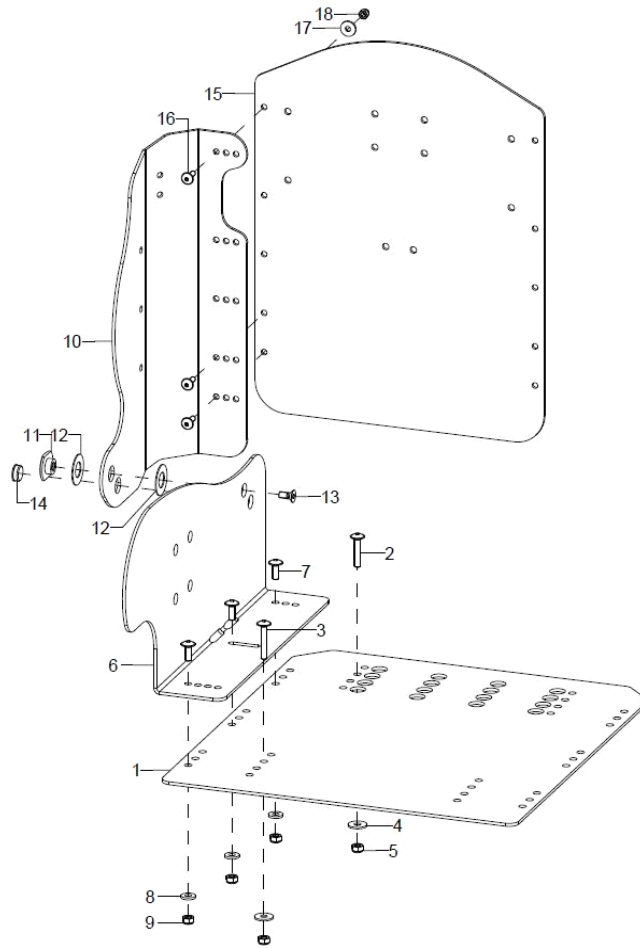
Gas pressure spring seat tilting





pcs.	Q/1	item no.	Product name:	Variant:	drawing no.
1+10	1(2)	19290001			04.27.08.20.00.61
altern.	1(2)	19290004			04.27.09.20.00.61
2-4	1	190503	fitted bolt M8x35 SW13		19.05.03.10.00.28
3	4		washer DIN 125 - A 8,4 - PA black		02.61.08.41.61.71
4	1		hexagon nut self-locking low form DIN 985 - M8		02.32.00.80.01.20
5-9	1	192504			
5	1		lens head screw with hexagon socket M6x55		01.43.08.63.65.00
6	2				19.22.03.07.00.47
7	1				19.25.01.02.00.76
8	2		washer DIN 9021 -6,4		02.79.06.41.60.20
9	1		hexagon nut self-locking low form DIN 985 - M6		02.32.00.60.01.20
10	1	190521	gas pressure spring release knob		04.27.00.99.81.00
11-18	1	192505			XXXXXXXXXX
11-15	2(1)	19250104			19.25.01.04.00.76
o.B.	1				19.25.01.06.00.76
12	2		lens head screw with hexagon socket ISO 7380 - M6x40		01.42.08.60.65.00
13	2		saddle washer Ø12/6x2,5		35.04.16.01.00.10
14	2				02.68.06.00.30.30
15	2		hexagon nut self-locking low form DIN 985 - M6		02.32.00.60.01.20
16-19	2				19.29.03.00.00.82
17	2(1)		lens head screw with hexagon socket ISO 7380 - M6x55		01.42.08.63.65.00
o.B.	2				01.43.08.47.62.50
18	2(1)		washer DIN 125 - A 6,4		02.61.06.41.41.20
19	2(1)		hexagon nut self-locking low form DIN 985 - M6		02.32.00.60.01.20
20-23	1	192702			19.27.02.00.00.76
21	2		lens head screw with hexagon socket M6x30		01.43.08.57.65.00
22	2		fitted washer DIN 988 - 6x12x0,5 - A2		02.68.06.00.50.30
23	2		hexagon nut self-locking low form DIN 985 - M6		02.32.00.60.01.20
24-28	1	190512	gas pressure spring release incl. mounting set		19.05.12.99.00.10
24	1	190513	hand release lever for gas pressure spring, not lockable		04.54.92.12.20.10
25-28	1	190514	bowden cable incl. cover and connection parts		19.05.14.99.00.71
25	2	352412	end bush metal Ø5		04.54.91.50.10.41
26	1	352013	outer shell for Bowden cable black 150mm		04.54.91.21.53.00
27	1	190517	inner cable for gas pressure spring 1.3x2000		04.54.91.11.31.30
28	1	352005	end cap for inner Bowden cable Ø1-1,5 mm		04.54.91.50.10.40
29	1	190502			04.54.91.80.40.11

Seat shell



pcs.	Q/1	item no.	Product name:	Variant:	drawing no.
1-18	1	69820000			
1-5	1	69820300			69.82.03.00.00.82
2	2		lens head screw with hexagon socket M6x30		01.43.08.57.65.00
3	2		lens head screw with hexagon socket M6x35		01.43.08.59.65.00
4	4		fitted washer DIN 988 - 6x12x0,5 - A2		02.68.06.00.50.30
5	4		hexagon nut self-locking low form DIN 985 - M6		02.32.00.60.01.20
6-9	1	69820402			69.82.04.00.02.82
o.B.	1	69820401			69.82.02.00.01.82
7	3		lens head screw with hexagon socket M6x16		01.43.08.52.65.00
8	3		washer reinforced $\varnothing 14/6,2 \times 2$		58.30.15.01.00.24
9	3		hexagon nut self-locking low form DIN 985 - M6		02.32.00.60.01.20
10	1	69820202			69.82.02.00.02.82
o.B.	1	69820201			
11-14	2	69821001			69.82.10.01.00.82
12	2				69.70.05.04.00.72
13	1				01.65.08.50.02.40
14	1				69.82.10.02.00.82
15-18	1	69820100			69.82.01.00.00.82
16	6		lens head screw with hexagon socket M5x20		01.43.07.92.05.00
17	6		washer DIN 7349 - 5,3		02.77.05.22.00.20
18	6		hexagon cap nut low form with clamp DIN 986 - M5		02.33.00.60.21.20



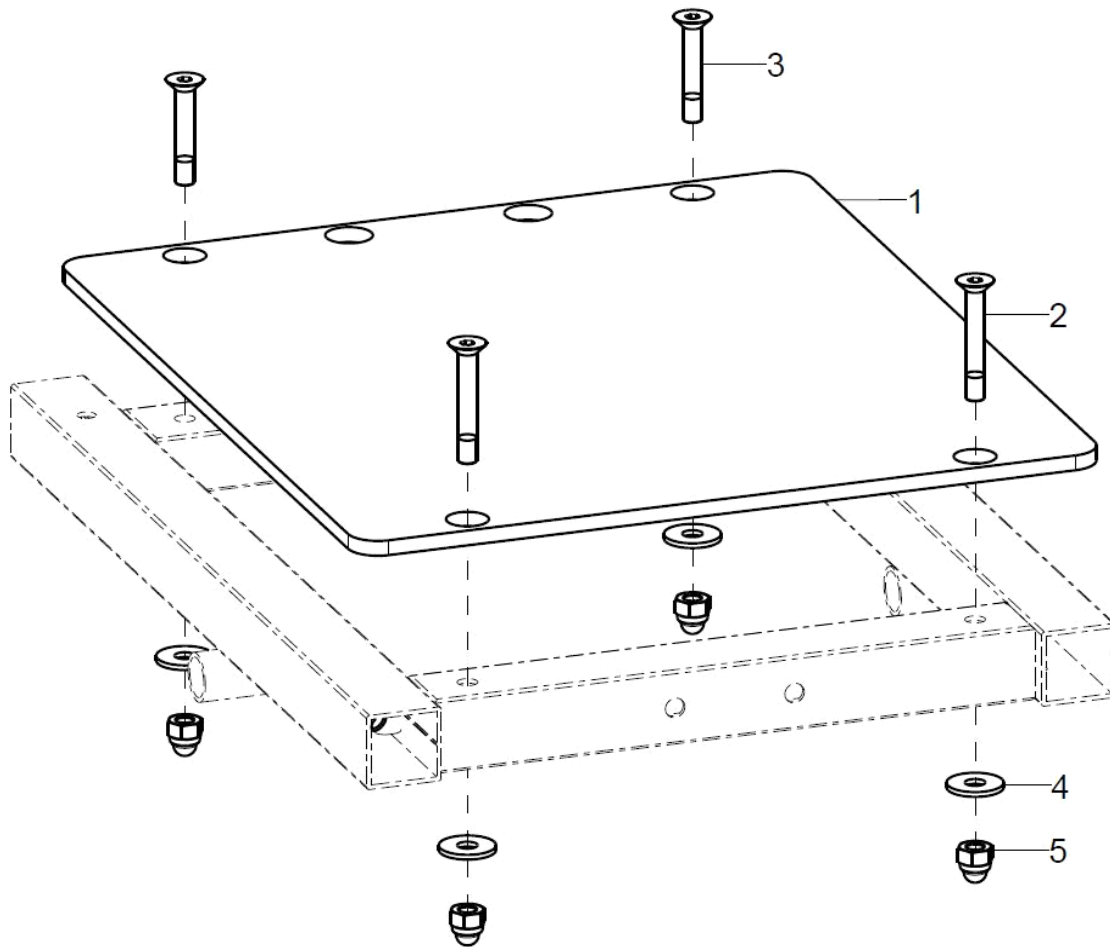
ERGO upholstery

pcs.	Q/1	item no.	Product name:	Variant:	drawing no.
o.B.	1	891002	anatomical seat cushion		XXXXXXXXXXXXX
o.B.	1	891001			
o.B.	1	891003	cover for anatomical seat cushion		XXXXXXXXXXXXX
o.B.	1	891004	incontinence cover for anatomical seat cushion		XXXXXXXXXXXXX
o.B.	1	45820602			
o.B.	1	45820601			
o.B.	1	45820604			
o.B.	1	45820603			
o.B.	1	89130100			
o.B.	1	89130101			89.13.01.00.00.82
o.B.	1	89130201			

Stoffmuster	XX
Betex schwarz	20
Betex blau	21
Betex rot	22
Betex grau	23
Betex grün	24
Betex gelb	25
Betex orange	27

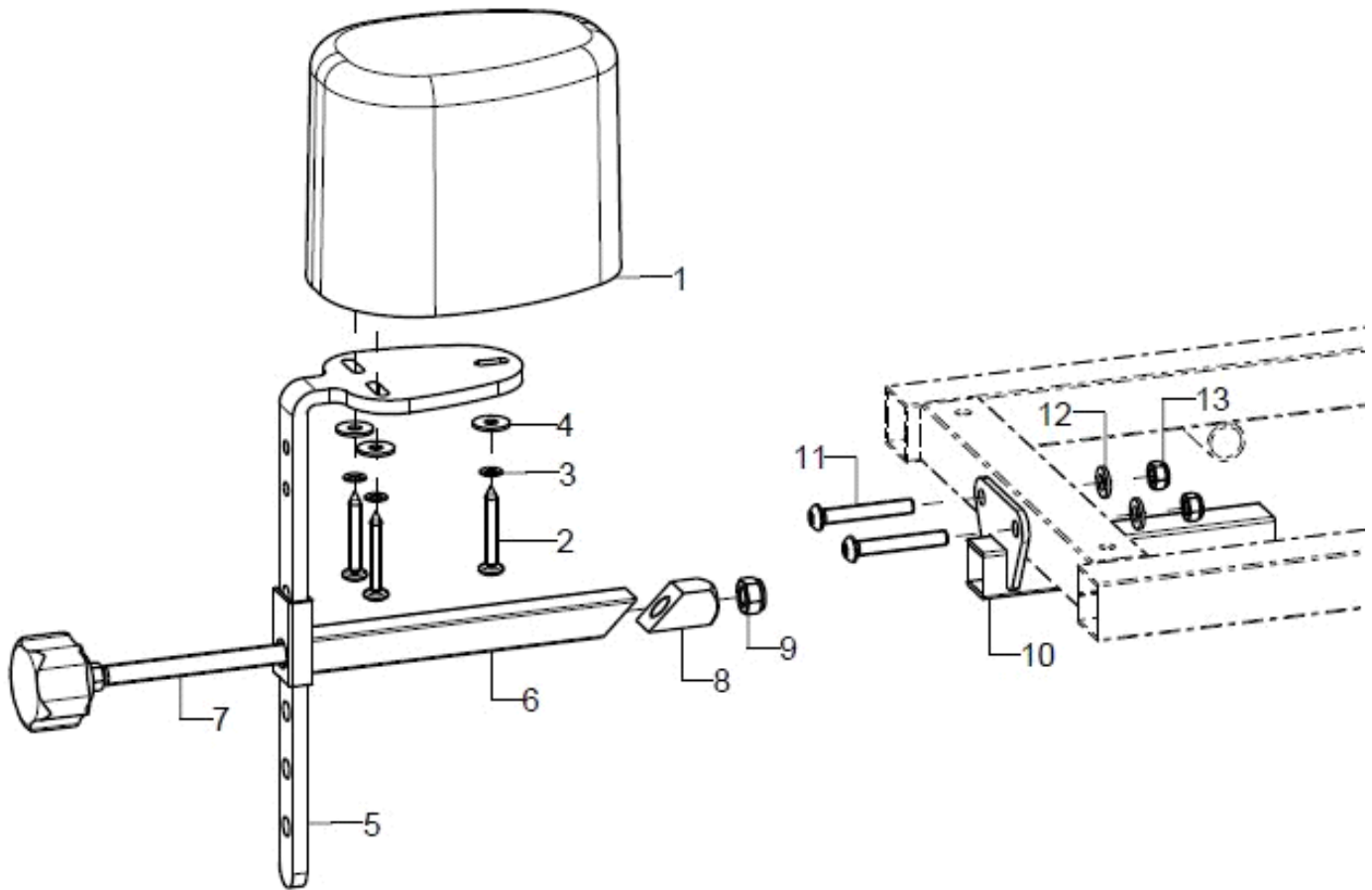
Alle Stoffmuster können unter [www.sorgrollstuhltechnik.de](http://www.sorgrollstuhltechnik.de) angesehen werden.

Universal seat plate



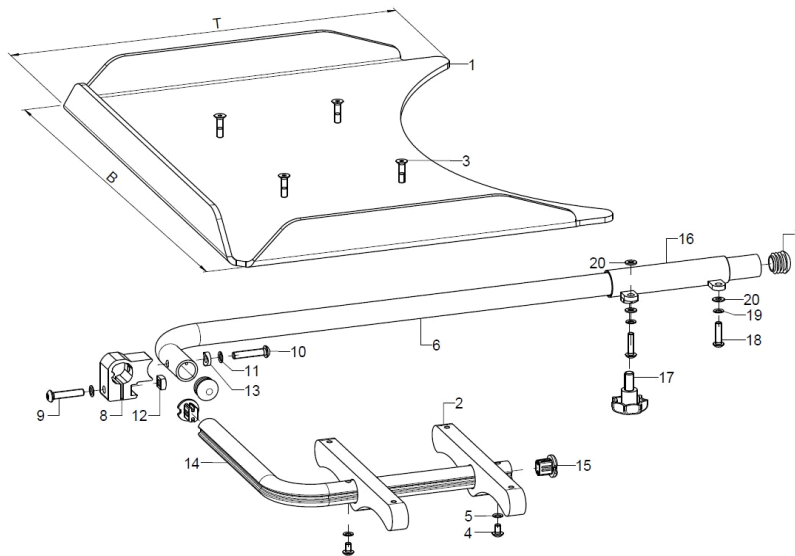
pcs.	Q/1	item no.	Product name:	Variant:	drawing no.
1-5	1	19290400			19.29.04.00.00.82
2	2		counter sunk screw with hexagon socket DIN 7991 M6x40		01.65.08.60.05.00
3	2		counter sunk screw with hexagon socket DIN 7991 M6x40		01.65.08.60.05.00
4	4		washer DIN 9021 -6,4		02.79.06.41.60.20
5	4		hexagon cap nut low form with clamp DIN 986 - M6		02.33.00.60.11.20

Abduction wedge



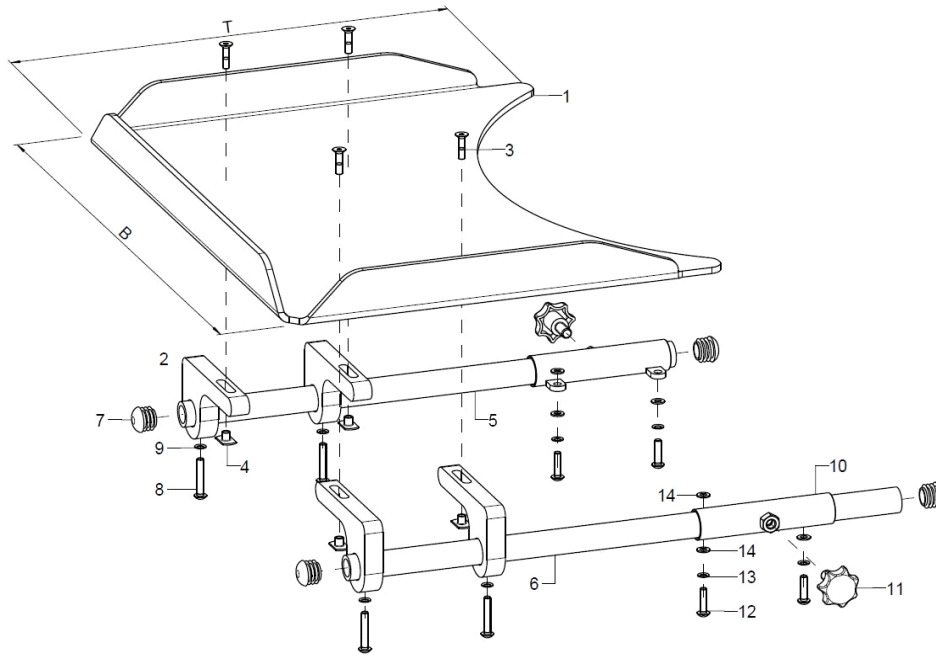
pcs.	Q/1	item no.	Product name:	Variant:	drawing no.
1-10	1	1952	abduction wedge size s		XXXXXXXXXXXX
o.B.	1	1953	abduction wedge size m		XXXXXXXXXXXX
o.B.	1	1954	abduction wedge size l		XXXXXXXXXXXX
1	1	195002	abduction wedge small		04.65.17.09.01.20
o.B.	1	195003	abduction wedge medium		04.65.17.11.03.20
o.B.	1	195004	abduction wedge large		04.65.17.13.02.20
2-4		19500299	mounting set abduction wedge on holder angle		XXXXXXXXXXXX
2	3				01.88.07.99.00.80
3	3		lock washer S5		02.99.10.50.01.10
4	3		washer DIN 9021 - M5		02.79.05.31.20.20
5	1	195101	bracket for abduction wedge		19.50.03.02.00.10
6	1				19.55.02.01.00.82
7-9	1				19.05.03.01.99.82
8	1				68.40.04.04.00.51
9	1		hexagon nut self-locking low form DIN 985 - M8		02.32.00.80.01.20
10	1				19.55.01.01.00.82
11	2		lens head screw with hexagon socket ISO 7380 - M6x50		01.42.08.62.65.00
12	2		washer DIN 125 - A 6,4		02.61.06.41.41.20
3	2		hexagon nut self-locking low form DIN 985 - M6		02.32.00.60.01.20

Therapy table variant 2 (hinged sideways)



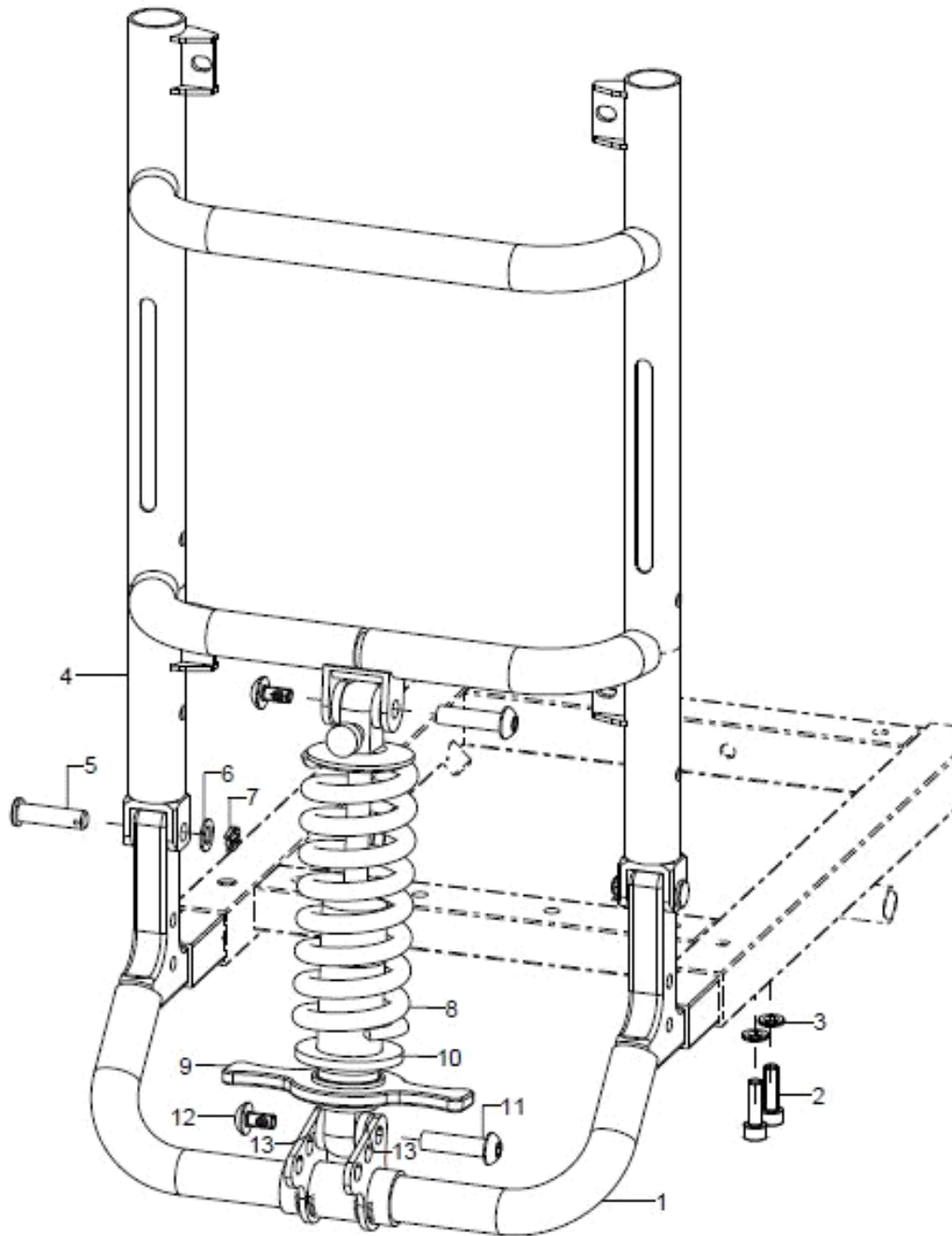
pcs.	Q/1	item no.	Product name:	Variant:	drawing no.
1-20	1	9204XX	therapy table version 1 swingaway to the side complete		XXXXXXXXXXXX
1	1	920030	therapy table size 1 (B45xT36) polycarbonate		92.00.10.01.00.51
o.B.	1	920031	therapy table size 2 (B59xT45) polycarbonate		92.00.11.01.00.51
o.B.	1	920032	therapy table size 3 (B70xT50) polycarbonate		92.00.12.01.00.51
o.B.	1	920033	therapy table size 1 (B50xT40) wood		92.00.13.01.00.10
o.B.	1	920034	therapy table size 2 (B60xT50) wood		92.00.14.01.00.10
2-20	1	9204	mounting set for therapy table version 1 complete without table		
2	2				92.04.01.01.00.10
3	4		counter sunk screw with hexagon socket DIN 7991 M5x20		01.65.07.94.05.00
4	2		lens head screw with hexagon socket ISO 7380 - M5x8		01.42.07.87.65.00
5	2		lock washer S5		02.99.10.50.01.10
6	1	920402	holding tube, incl. plug		92.04.02.00.00.10
7	2		plugs for tube ø20x1-2, black		04.63.10.20.00.10
8-13	1	92040403	clamp unit incl. mounting set		92.04.04.03.00.10
9	1		lens head screw with hexagon socket ISO 7380 - M6x30		01.42.08.58.65.00
10	1				01.42.08.59.62.60
11	2		lock washer S6		02.99.10.60.01.10
12	1		square nut DIN 557 M6		02.13.00.60.01.20
13	1				40.04.16.01.00.10
14-15	1	920404	foldable bail tube incl tube end plug		92.04.04.00.00.10
15	2	620105	plug for profile tube		62.01.05.00.00.74
16-20	1	920405	tube adapter, weldment, right incl. mounting set		92.07.01.01.02.10
o.B.	1	920406	tube adapter, weldment, left incl. mounting set		92.07.01.01.01.10
o.B.	2	920407	tube adapter, weldment incl. mounting set		92.04.05.01.00.10
17-20	2	92040599	mounting set tube intake		XXXXXXXXXXXX
17	1		7-star knob ø32 - M8x15 external thread, black		04.05.47.14.15.40
18	2		lens head screw with hexagon socket ISO 7380 - M5x20		01.42.07.94.65.00
19	2		lock washer S5		02.99.10.50.01.10
20	3		washer DIN 125 - A 5,3		02.61.05.31.01.20

Therapy table variant 2 (attached to arm pads)



pcs.	Q/1	item no.	Product name:	Variant:	drawing no.
1-14	1	9207XX	therapy table version 2 on arm pad complete		XXXXXXXXXXXX
1	1	920030	therapy table size 1 (B45xT36) polycarbonate		92.00.10.01.00.51
o.B.	1	920031	therapy table size 2 (B59xT45) polycarbonate		92.00.11.01.00.51
o.B.	1	920032	therapy table size 3 (B70xT50) polycarbonate		92.00.12.01.00.51
2-14	2	9207	mounting set for therapy table version 2 on arm rest		
2	4	920705	pluggable supporting frame 15x61x120		92.07.05.01.00.51
3-4	1	92070599	mounting set support bracket		XXXXXXXXXXXX
3	4		counter sunk screw with hexagon socket DIN 7991 M5x20		01.65.07.94.05.00
4	4		weld nut C- M5x7,5		02.49.33.03.00.10
5+7-9	1	920702	holder tube 20x3x400 incl. mounting set		92.07.02.02.00.29
6-9	1	920704	holder tube 20x3x450 incl. mounting set		92.07.02.04.00.29
7	2		plugs for tube ø20x1-2, black		04.63.10.20.00.10
8	2		lens head screw with hexagon socket ISO 7380 - M5x30		01.42.07.98.65.00
9	2		lock washer S5		02.99.10.50.01.10
10-14	1	920405	tube adapter, weldment, right incl. mounting set		92.07.01.01.02.10
10-14	1	920406	tube adapter, weldment, left incl. mounting set		92.07.01.01.01.10
11	1		7-star knob ø32 - M8x15 external thread, black		04.05.47.14.15.40
11-14	2	92040599	mounting set tube intake		XXXXXXXXXXXX
12	2		lens head screw with hexagon socket ISO 7380 - M5x20		01.42.07.94.65.00
13	2		lock washer S5		02.99.10.50.01.10
14	3		washer DIN 125 - A 5,3		02.61.05.31.01.20

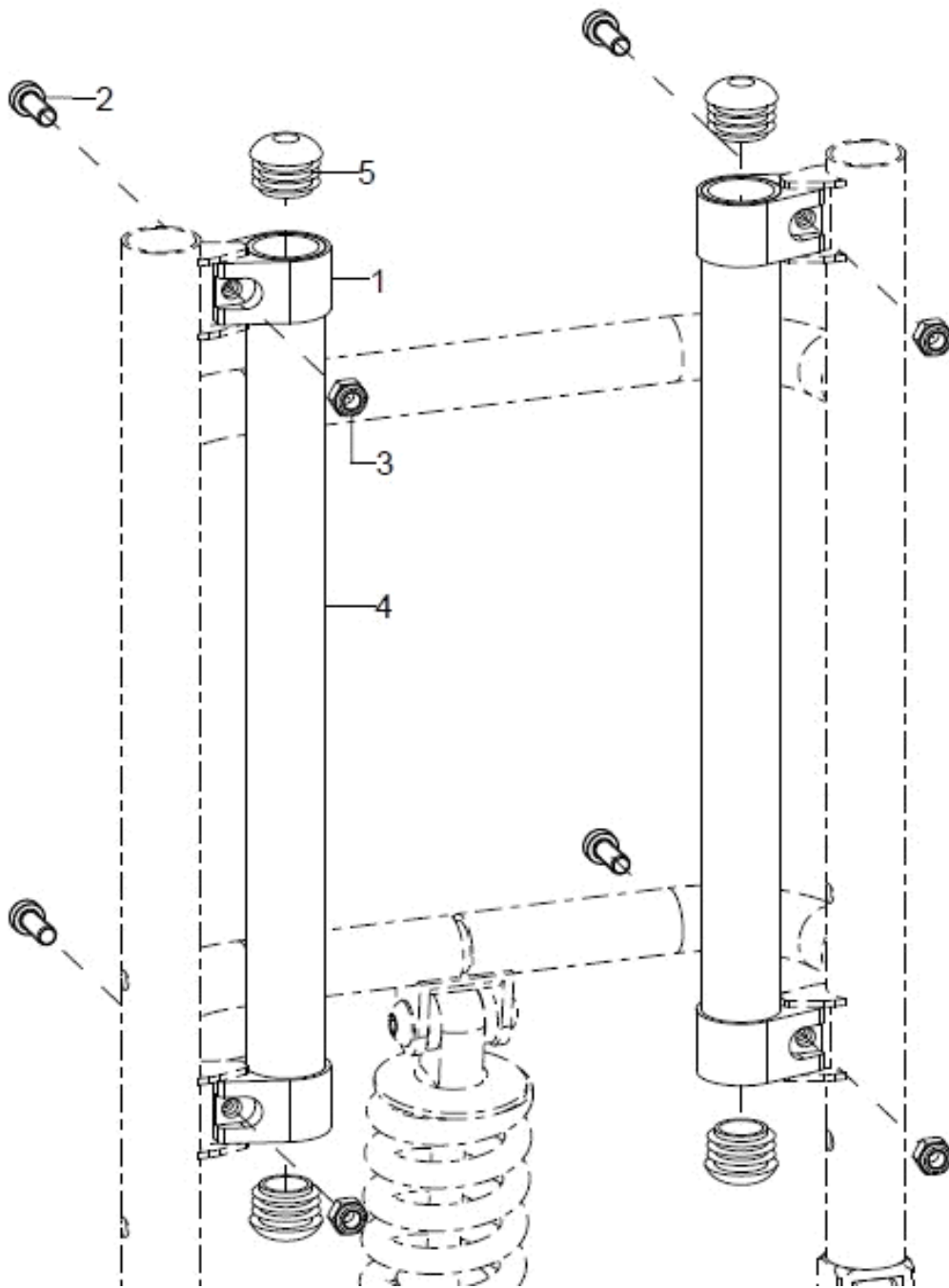
Back



pcs.	Q/1	item no.	Product name:	Variant:	drawing no.
1-3	1	61820500			61.82.05.00.00.82
2	4		cylinder screw DIN 912 M6x20		01.22.08.54.62.40
3	4		lock washer M6 (Nord-Lock)		02.99.20.65.01.10
4-7	1	61820702			61.82.07.00.50.82
o.B.	1	61820701			61.82.07.00.43.82
5	2				61.82.05.10.00.82
6	2				02.68.08.01.00.30
7	2				03.46.02.20.01.00
8-13	1	61820900			04.27.48.00.00.10
9-10	1	61820902			61.82.09.02.00.82
10	1				61.82.09.03.00.82
11	2				
12	2				



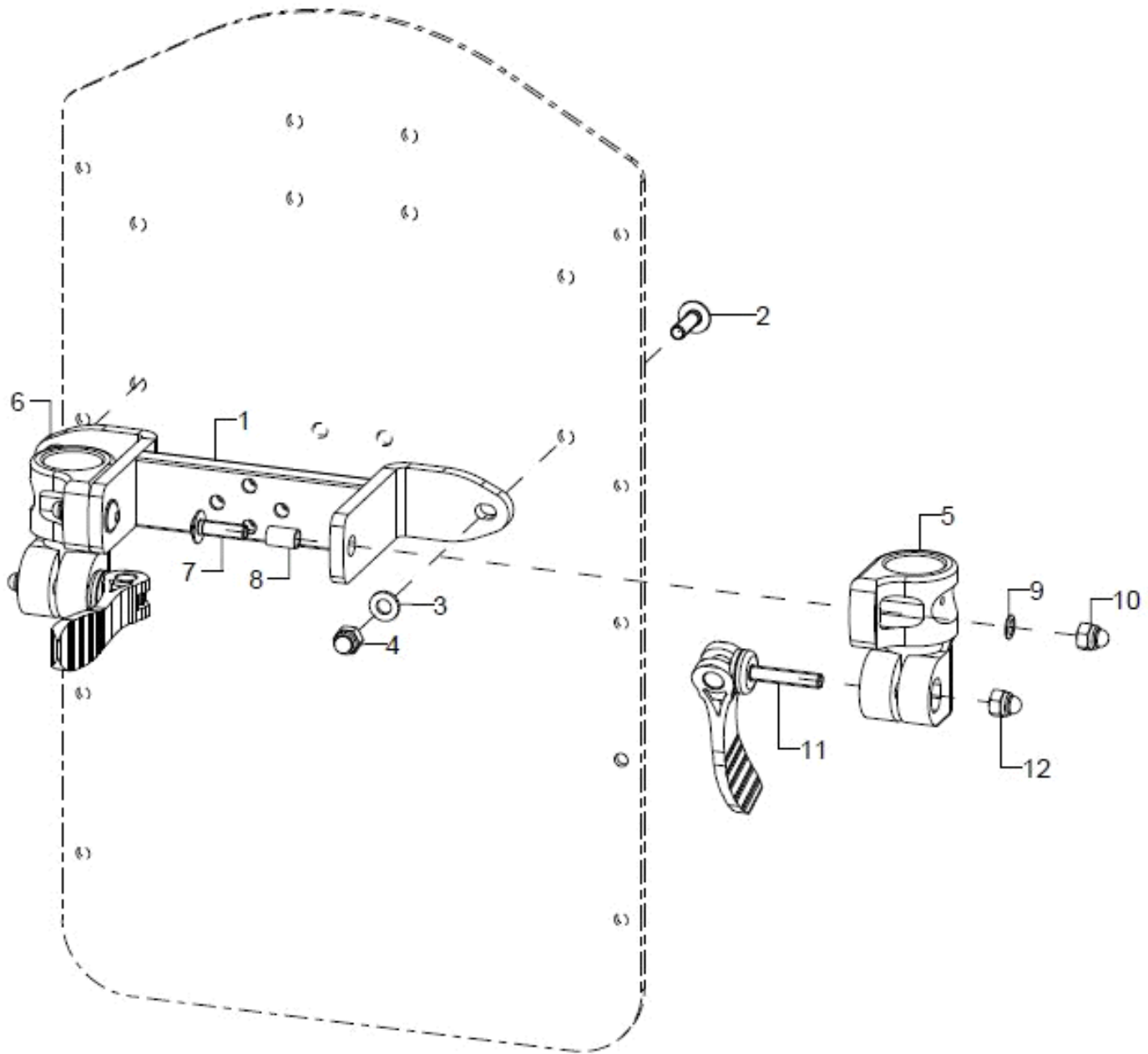
Back guidance



pcs.	Q/1	item no.	Product name:	Variant:	drawing no.
1-3	4	60040107			60.04.01.07.00.82
2	1		cylinder screw, low head DIN 7984-M6x16		01.24.08.52.05.00
3	1		hexagon nut self-locking low form DIN 985 - M6		02.32.00.60.01.20
4-5	2	60040104			60.04.01.04.00.82
5	2		plugs for tube $\varnothing 22 \times 1-2$ , black		04.63.10.22.00.10



Back guidance traverse



pcs.	Q/1	item no.	Product name:	Variant:	drawing no.
1-12	1	60040100			
1-4	1	60040103			60.04.01.02.00.82
2	2		lens head screw with hexagon socket M6x20		01.43.08.54.65.00
3	2		washer DIN 125 - A 6,4		02.61.06.41.41.20
4	2		hexagon cap nut low form with clamp DIN 986 - M6		02.33.00.60.11.20
5+7-10	1	60040102			60.04.01.01.02.82
6-10	1	60040101			60.04.01.01.01.82
7	1		lens head screw with hexagon socket M6x20		01.43.08.54.65.00
8	1				35.00.14.01.00.10
9	1		lock washer S6		02.99.10.60.01.10
10	1		hexagon cap nut low form with clamp DIN 986 - M6		02.33.00.60.11.20
11+12	2(1)	60040110			04.13.30.60.30.10
altern.	1				60.04.02.03.00.82



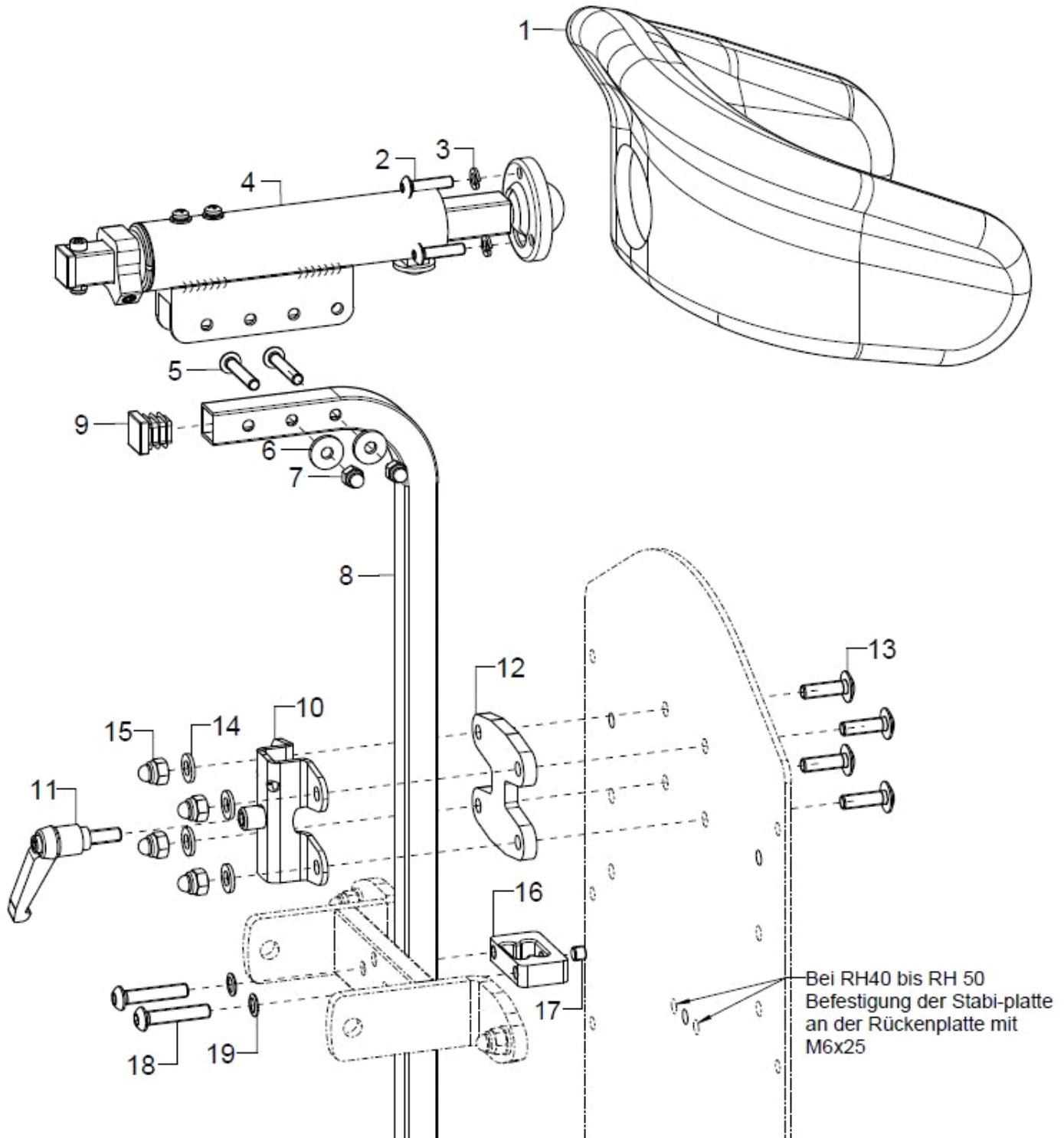
12

1

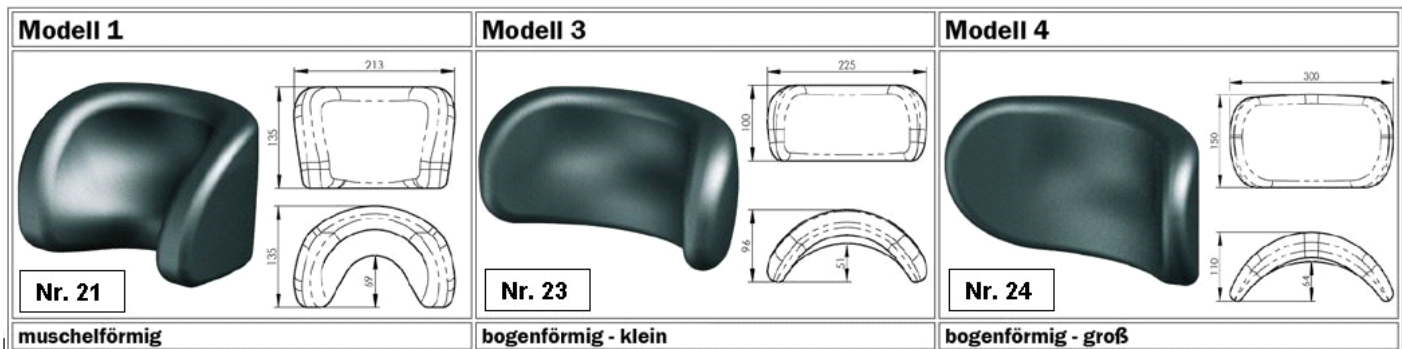
hexagon cap nut low form with clamp DIN 986 - M6

02.33.00.60.11.20

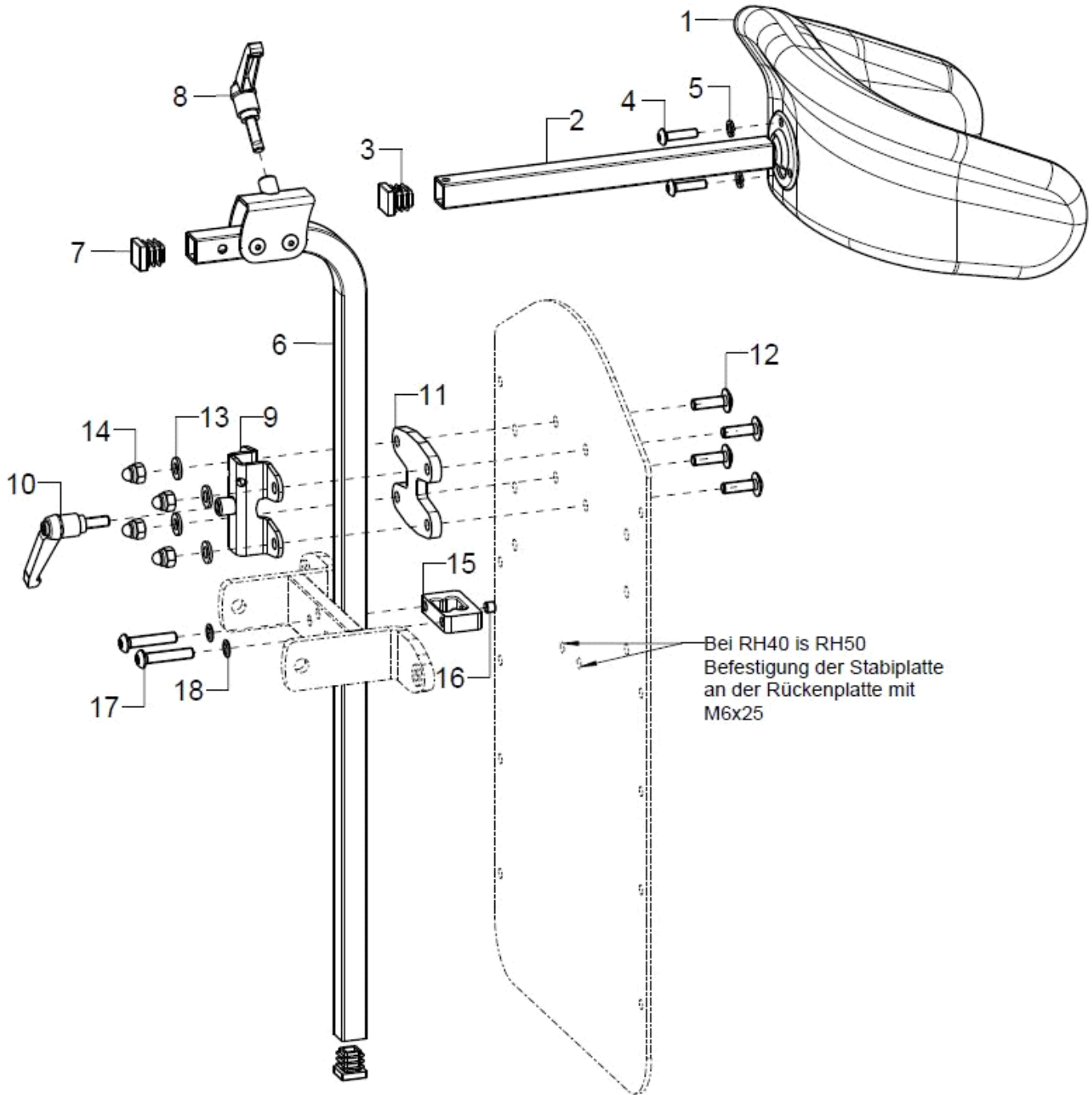
Dynamic head rest



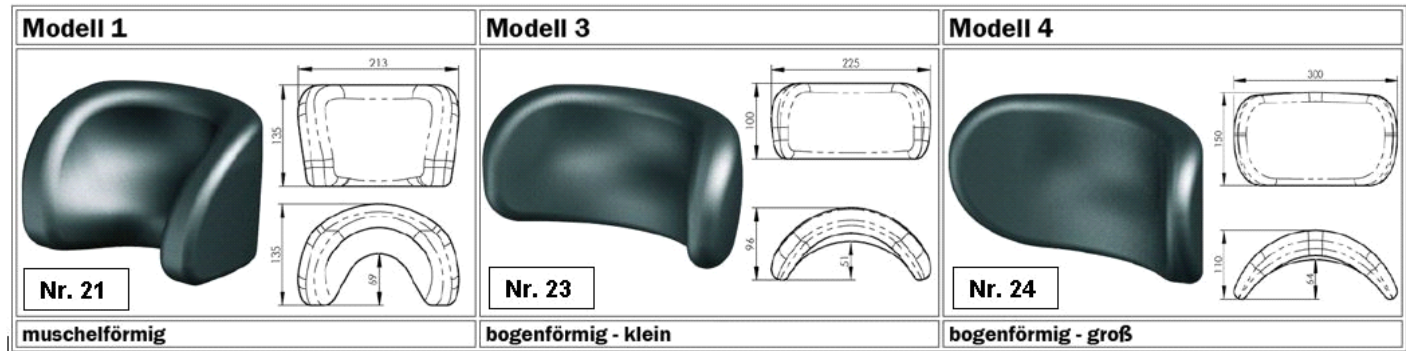
pcs.	Q/1	item no.	Product name:	Variant:	drawing no.
1-16	1	68622100			
altern.	1	68622300			
altern.	1	68622400			
altern.	1	68600831			
altern.	1	68600833			
1	1	68600834			
o.B.	1	68605001			
2	3		lens head screw with hexagon socket ISO 7380 - M5x20		01.42.07.94.65.00
3	3		spring ring DIN 127 - A 5		02.85.30.50.05.10
4-7	1	68620140			68.62.01.99.00.82
5	2		lens head screw with hexagon socket ISO 7380 - M5x30		01.42.07.98.65.00
6	2		washer DIN 7349 - 5,3		02.77.05.22.00.20
7	2		hexagon cap nut low form with clamp DIN 986 - M5		02.33.00.60.21.20
8+9	1	68600801			68.60.08.99.01.00
o.B.	1	68600802			68.60.08.99.02.00
9	2		plugs for square tubes, black 15x15		04.63.11.15.00.10
10-19	1	68620145			
10+11	1	68620146			04.56.01.04.00.11
11	1		clamp lever adjustable M6x16, black		04.13.10.60.16.50
12-15	1	68620106			68.62.01.06.00.82
13	4		lens head screw with hexagon socket M6x20		01.43.08.54.65.00
14	4		washer DIN 125 - A 6,4		02.61.06.41.41.20
15	4		hexagon cap nut low form with clamp DIN 986 - M6		02.33.00.60.11.20
16-19	1	68620107			68.62.01.07.00.82
altern.	2		lens head screw with hexagon socket ISO 7380 - M6x25		01.42.08.56.65.00
17	1				01.68.08.45.06.00
18	2		lens head screw with hexagon socket ISO 7380 - M6x30		01.42.08.58.65.00
19	2		lock washer S6		02.99.10.60.01.10



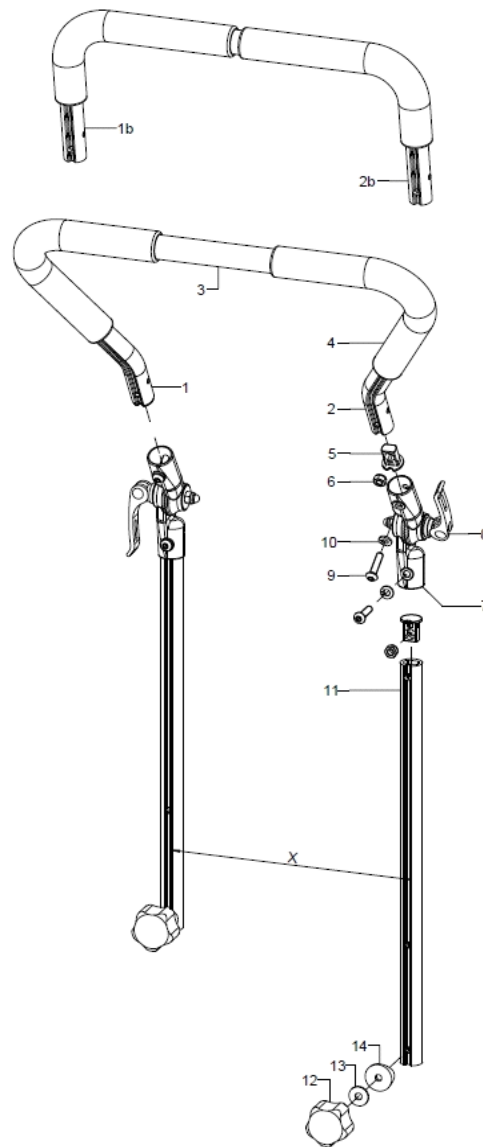
Head rest standard



pcs.	Q/1	item no.	Product name:	Variant:	drawing no.
1-15	1	686021			
altern.	1	686023			
altern.	1	686024			
1-5	1	686031	head rest cushion model 1, 213x145 mm shell form complete		68.60.15.99.00.10
altern.	1	686033	head rest model 3, 225x100 curved complete		68.60.16.99.00.10
altern.	1	686034	head rest model 4, 300x150 curved complete		68.60.19.99.00.10
o.B.	1	68605001			
2	1				04.56.01.22.00.10
3	1		plugs for square tubes, black 15x15		04.63.11.15.00.10
4	3		lens head screw with hexagon socket ISO 7380 - M5x20		01.42.07.94.65.00
5	3		spring ring DIN 127 - A 5		02.85.30.50.05.10
6+7	1	68600801			68.60.08.99.01.00
o.B.	1	68600802			68.60.08.99.02.00
7	2		plugs for square tubes, black 15x15		04.63.11.15.00.10
8	1	403110	clamp lever adjustable M6x20, black		04.13.10.60.20.50
9+10	1				04.56.01.04.00.11
10	1		clamp lever adjustable M6x16, black		04.13.10.60.16.50
11-14	1				68.62.01.06.00.82
12	4		lens head screw with hexagon socket M6x20		01.43.08.54.65.00
13	4		washer DIN 125 - A 6,4		02.61.06.41.41.20
14	4		hexagon cap nut low form with clamp DIN 986 - M6		02.33.00.60.11.20
15-18	1				68.62.01.07.00.82
16	1				01.68.08.45.06.00
17	2		lens head screw with hexagon socket ISO 7380 - M6x30		01.42.08.58.65.00
altern.	2		lens head screw with hexagon socket ISO 7380 - M6x25		01.42.08.56.65.00
18	2		lock washer S6		02.99.10.60.01.10



Push bow



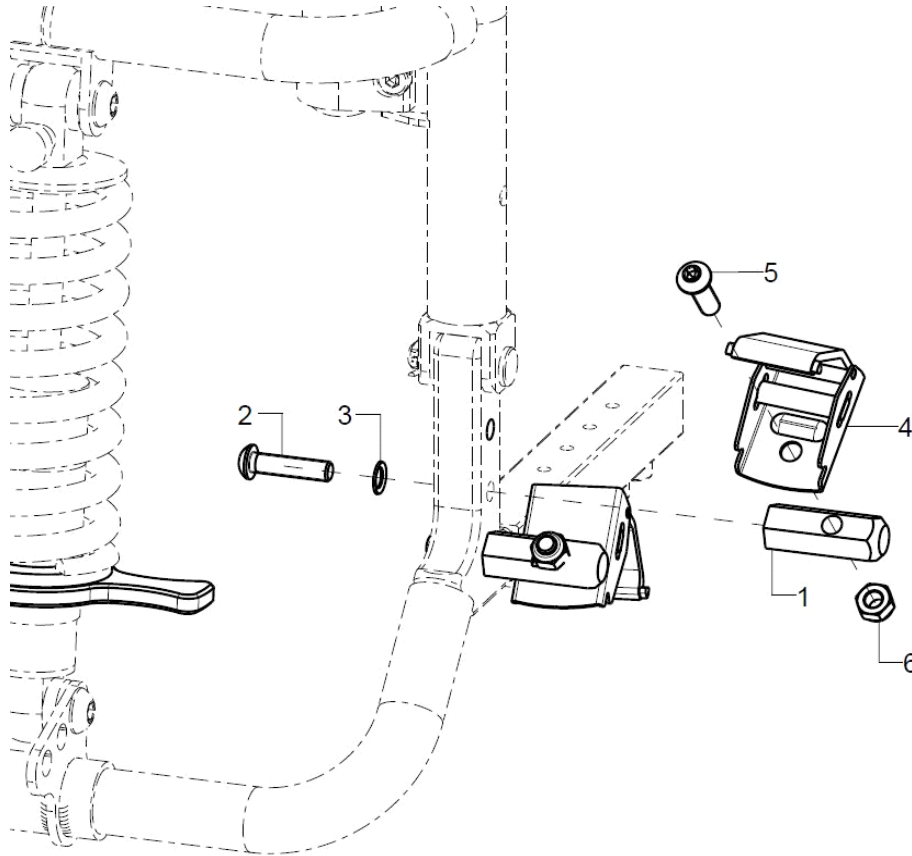
pcs.	Q/1	item no.	Product name:	Variant:	drawing no.
1-14	1	653100			XX.XX.XX.XX.XX.XX
1-4	1	653002	push bail cropped pre-assembled		XX.XX.XX.XX.XX.XX
1b+2b+3+4	1	653001	push bail 90° pre-assembled for SW 40 – 46 when push handle clamp holder is mounted to the back tube		XXXXXXXXXXXX
1	1	653006	push bail left part		65.30.01.02.01.47
1b	1	653009	push bail, bend part- 20x150x150, left		65.34.00.02.01.66
2	1	653007	push bail right part		65.30.01.02.02.47
2b	1	653010	push bail, bend part- 20x150x150, right		65.34.00.02.02.66
3	1	653004	steel tube incl. riveting		65.30.01.04.00.24
4	2	653005	tube cover - rubber 260 mm		65.30.03.01.00.47
5	4	653406	plug for nut M6 incl hexagon nut		65.22.20.10.00.00
6	4		hexagon nut self-locking low form DIN 985 - M6		02.32.00.60.01.20
7-10	2	652220	angle adjusting element metal 307° compl with eccentric clamp and mounting set		65.22.20.99.00.10
8	1	652224	eccentric clamp length 35 mm M6x20, black (incl. spring, nut, washer, bush)		65.22.24.99.00.76
9	2		lens head screw with hexagon socket ISO 7380 - M6x25		01.42.08.56.65.00
10	2		spring ring DIN 127- A6		02.85.30.60.05.10
11-14	2	653105			65.31.03.01.00.76



12-14	2	653106	04.05.47.24.25.30
13	2	washer DIN 9021 -6,4	02.79.06.41.60.20
14	2	saddle washer black ø 24/6	04.63.39.24.06.30

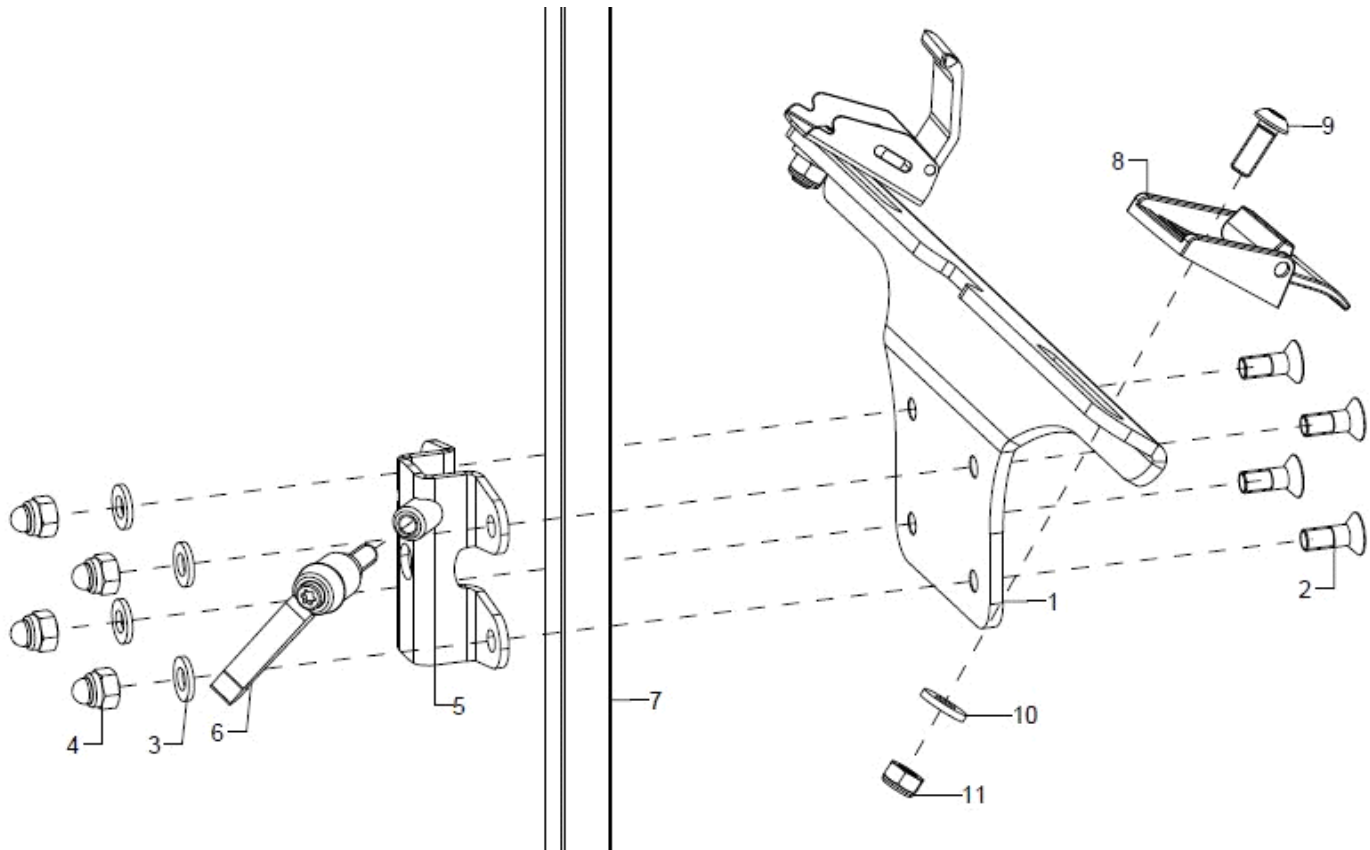


Lower belt adapter



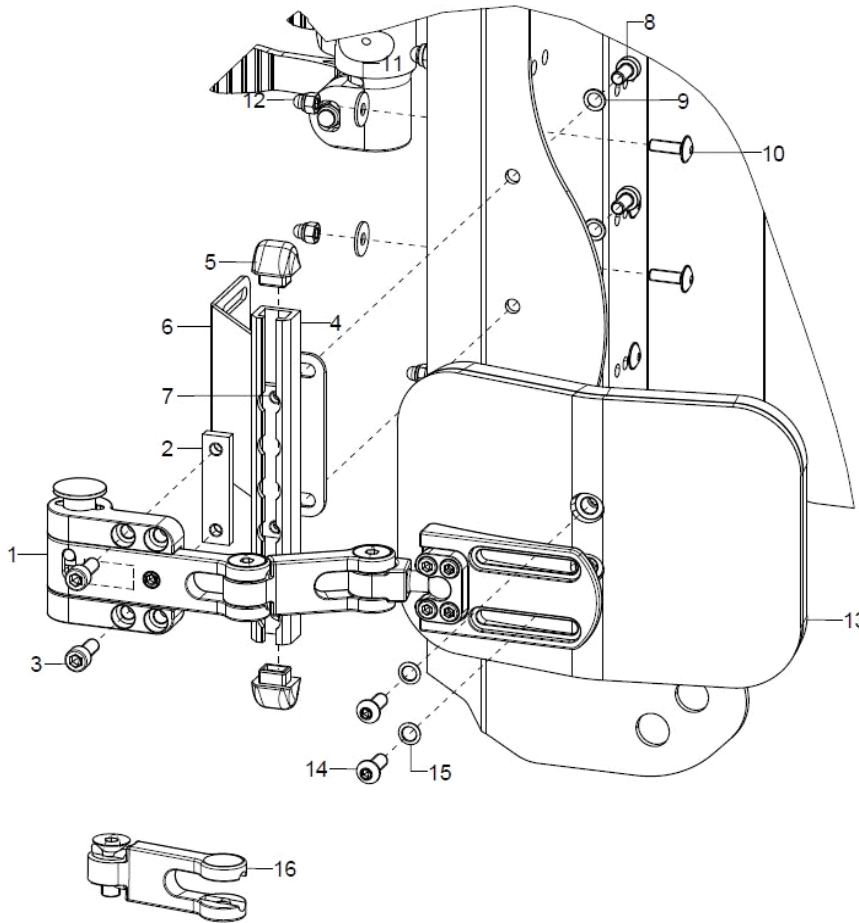
pcs.	Q/1	item no.	Product name:	Variant:	drawing no.
1-3	1	78010501			78.01.05.00.00.82
2	1		lens head screw with hexagon socket ISO 7380 - M6x25		01.42.08.56.65.00
3	1		lock washer S6		02.99.10.60.01.10
4-6	1	78011107			04.44.42.00.10.30
5	1		lens head screw with hexagon socket ISO 7380 - M6x20		01.42.08.54.05.00
6	1		hexagon nut self-locking low form DIN 985 - M6		02.32.00.60.01.20

Upper belt adapter



pcs.	Q/1	item no.	Product name:	Variant:	drawing no.
1-4	1	780102			78.01.01.02.00.00
altern.	1	780103			78.01.01.03.00.00
altern.	1	780104			78.01.01.04.00.00
altern.	1	780105			78.01.01.05.00.00
2	4		counter sunk screw with hexogon socket DIN 7991 M6x16		01.65.08.52.02.40
3	4		washer DIN 125 - A 6,4		02.61.06.41.41.20
4	4		hexagon cap nut low form with clamp DIN 986 - M6		02.33.00.60.11.20
5+6	1	68620147			04.56.01.04.00.10
6	1		clamp lever adjustable M6x16, black		04.13.10.60.16.50
8-11	2	78011107			04.44.42.00.10.30
altern.	2				78.01.06.02.00.00
9	1				01.42.08.50.65.00
altern.	1		lens head screw with hexagon socket ISO 7380 - M6x16		01.42.08.52.65.00
10	1		washer reinforced $\varnothing 14/6,2 \times 2$		58.30.15.01.00.24
11	1		hexagon nut self-locking low form DIN 985 - M6		02.32.00.60.01.20

Side truss pads

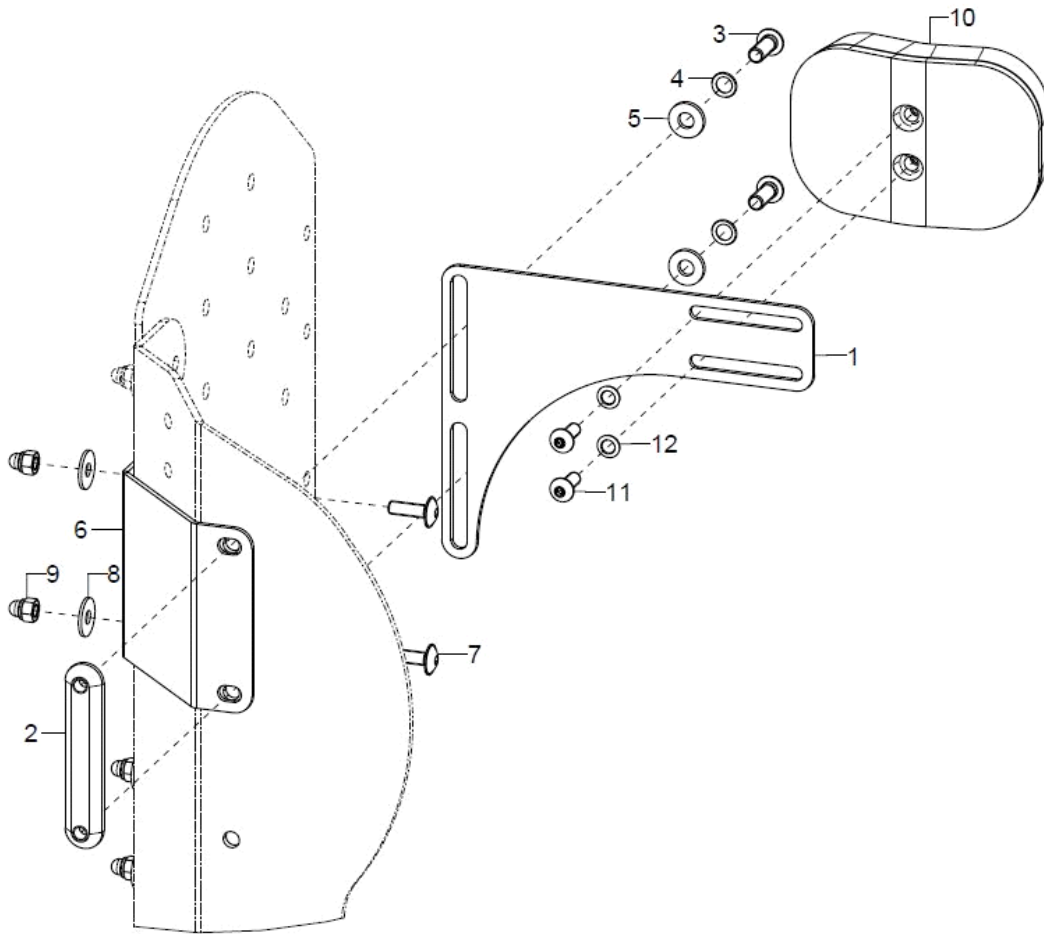


pcs.	Q/1	item no.	Product name:	Variant:	drawing no.
1	1	68590102			68.59.01.00.02.00
o.B.	1	68590101			68.59.01.00.01.00
altern.	1	68590202			68.59.02.00.02.00
o.B.	1	68590201			68.59.02.00.01.00
2-12	1	68590119			
2	1				68.59.01.12.00.00
o.B.	1				68.59.02.12.00.00
3	2		cylinder head screw DIN 912 M5x16		01.22.07.92.72.40
o.B.	2		cylinder screw DIN 912 M6x16		01.22.08.52.62.40
4	1				68.59.01.20.00.00
5	2				68.59.01.20.01.00
6	1				68.59.04.01.00.82
7	1				68.59.04.02.00.82
8	2				01.24.08.47.05.00
9	2		lock washer S6		02.99.10.60.01.10
10	2		lens head screw with hexagon socket M5x20		01.43.07.92.05.00
11	2		washer DIN 9021 - M5		02.79.05.31.20.20
12	2		hexagon cap nut low form with clamp DIN 986 - M5		02.33.00.60.21.20
13-15	1	68590104			68.59.01.21.00.00
o.B.		68590105			68.59.01.22.00.00
o.B.					68.59.01.26.00.00
o.B.	2	68590106			68.59.01.26.00.00
o.B.	1	68590204			68.59.01.23.00.00



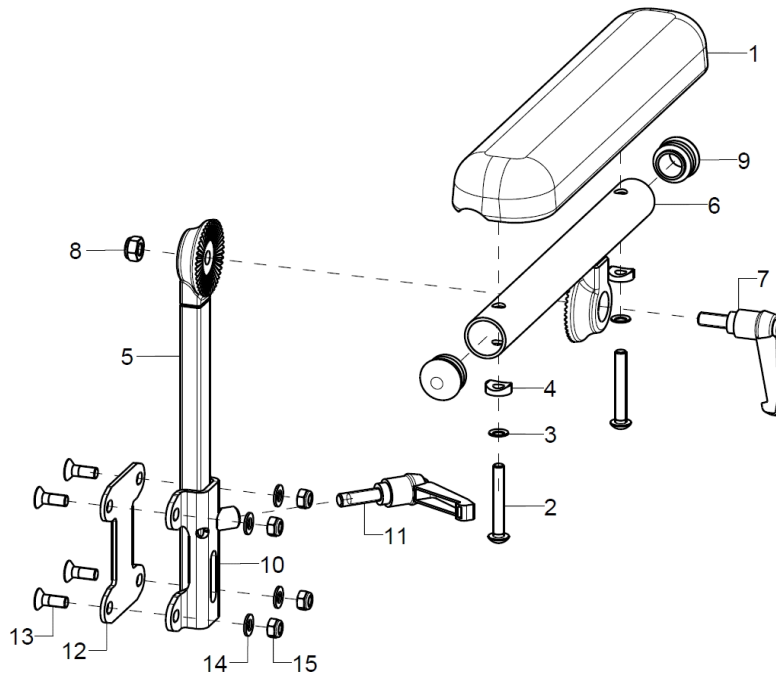
o.B.	1	68590205		68.59.01.24.00.00
14	2		lens head screw with hexagon socket ISO 7380 - M5x16	01.42.07.92.65.00
o.B.	2		lens head screw with hexagon socket ISO 7380 - M6x16	01.42.08.52.65.00
15	2		lock washer S5	02.99.10.50.01.10
o.B.	2		lock washer S6	02.99.10.60.01.10
16	1	68590103		68.59.01.15.00.00
o.B.	1	68590203		68.59.02.15.00.00

Side truss pads FIX for ERGO back



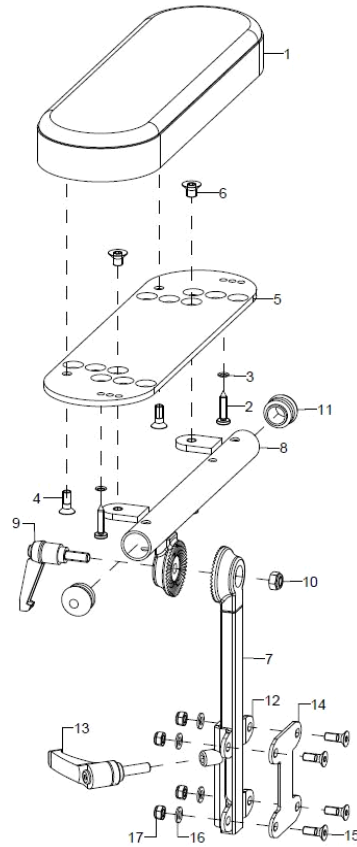
pcs.	Q/1	item no.	Product name:	Variant:	drawing no.
1-9	2	68598201			68.59.10.03.10.82
o.B.	2	68598202			68.59.10.03.20.82
2	1				68.59.10.04.00.82
3	2		lens head screw with hexagon socket ISO 7380 - M6x16		01.42.08.52.65.00
4	2		lock washer S6		02.99.10.60.01.10
5	2		washer reinforced $\varnothing 14/6,2 \times 2$		58.30.15.01.00.24
6	1				68.59.04.01.00.82
7	2		lens head screw with hexagon socket M5x20		01.43.07.92.05.00
8	2		washer DIN 9021 - M5		02.79.05.31.20.20
9	2		hexagon cap nut low form with clamp DIN 986 - M5		02.33.00.60.21.20
10-12	1	68590104			68.59.01.21.00.00
o.B.	1	68590105			68.59.01.22.00.00
o.B.	1	68590106			68.59.01.26.00.00
o.B.	1	68590204			68.59.01.23.00.00
o.B.	1	68590205			68.59.01.24.00.00
11	2		lens head screw with hexagon socket ISO 7380 - M5x16		01.42.07.92.65.00
o.B.	2		lens head screw with hexagon socket ISO 7380 - M6x16		01.42.08.52.65.00
12	2		lock washer S5		02.99.10.50.01.10
o.B.	2		lock washer S6		02.99.10.60.01.10

Arm pads



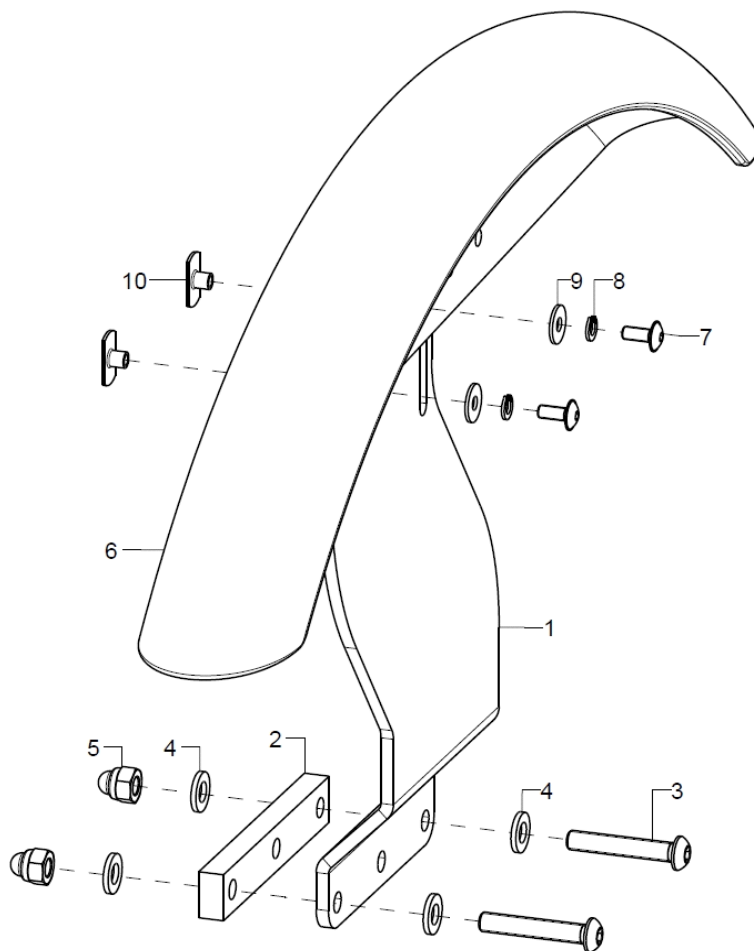
pcs.	Q/1	item no.	Product name:	Variant:	drawing no.
1-15	1	45820902			
o.B.	1	45820901			
o.B.	1	453202			
o.B.	1	453201			
o.B.	1	45821101			
1-4	1	450009			04.65.01.17.00.10
altern.	1	45821102			
altern.	1	450007	arm rest, straight black 240x50x26, 2xM5x164		04.65.01.24.00.10
altern.	1	450010			04.65.01.37.00.10
2	2		lens head screw with hexagon socket ISO 7380 - M5x35		01.42.07.99.65.00
3	2		lock washer S5		02.99.10.50.01.10
4	2				40.04.16.01.00.10
5	1	45320201			45.15.18.02.00.80
6-9	1	45320302			45.15.18.01.02.80
o.B.	1	45320301			45.15.18.01.01.80
altern.	1	45152202			
o.B.	1	45152201			
7	1		clamp lever adjustable M6x16, black		04.13.10.60.16.50
8	1		hexagon nut self-locking low form DIN 985 - M6		02.32.00.60.01.20
9	2		plugs for tube ø20x1-2, black		04.63.10.20.00.10
10-15	1	45320102			45.32.01.00.02.80
o.B.	1	45320101			45.32.01.00.01.80
o.B.	1	45320104			45.15.18.04.02.80
altern.	1	45320103			45.15.18.04.01.80
11	1	403110	clamp lever adjustable M6x20, black		04.13.10.60.20.50
12	1				45.32.01.05.00.80
13	4		counter sunk screw with hexagon socket DIN 7991 M5x14		01.65.07.90.05.00
14	4		washer DIN 125 - A 5,3		02.61.05.31.01.20
15	4		hexagon nut self-locking low form DIN 985 - M5		02.32.00.50.01.20

Arm pad 260x80mm



pcs.	Q/1	item no.	Product name:	Variant:	drawing no.
1-17	1	45330202			
o.B.	1	45330201			
1-4	1	450015			45.15.20.04.00.80
2	2				01.88.07.34.00.81
3	2		lock washer S4		02.99.10.40.01.10
4	2		counter sunk screw with hexogon socket DIN 7991 M5x14		01.65.07.90.05.00
5+6	1	45330205			45.15.20.03.00.80
6	2				01.65.08.47.02.40
7	1	45320201			45.15.18.02.00.80
8-11	1	45330204			45.15.20.01.02.80
o.B.	1	45330203			45.15.20.01.01.80
9	1		clamp lever adjustable M6x16, black		04.13.10.60.16.50
10	1		hexagon nut self-locking low form DIN 985 - M6		02.32.00.60.01.20
11	2		plugs for tube ø20x1-2, black		04.63.10.20.00.10
12-17	1	45320102			45.32.01.00.02.80
o.B.	1	45320101			45.32.01.00.01.80
o.B.	1	45320104			45.15.18.04.02.80
o.B.	1	45320103			45.15.18.04.01.80
13	1	403110	clamp lever adjustable M6x20, black		04.13.10.60.20.50
14	1				45.32.01.05.00.80
o.B.	1				45.15.18.05.00.80
15	4		counter sunk screw with hexogon socket DIN 7991 M5x12		01.65.07.89.05.00
o.B.	4		counter sunk screw with hexogon socket DIN 7991 M5x14		01.65.07.90.05.00
16	4		washer DIN 125 - A 5,3		02.61.05.31.01.20
17	4		hexagon nut self-locking low form DIN 985 - M5		02.32.00.50.01.20

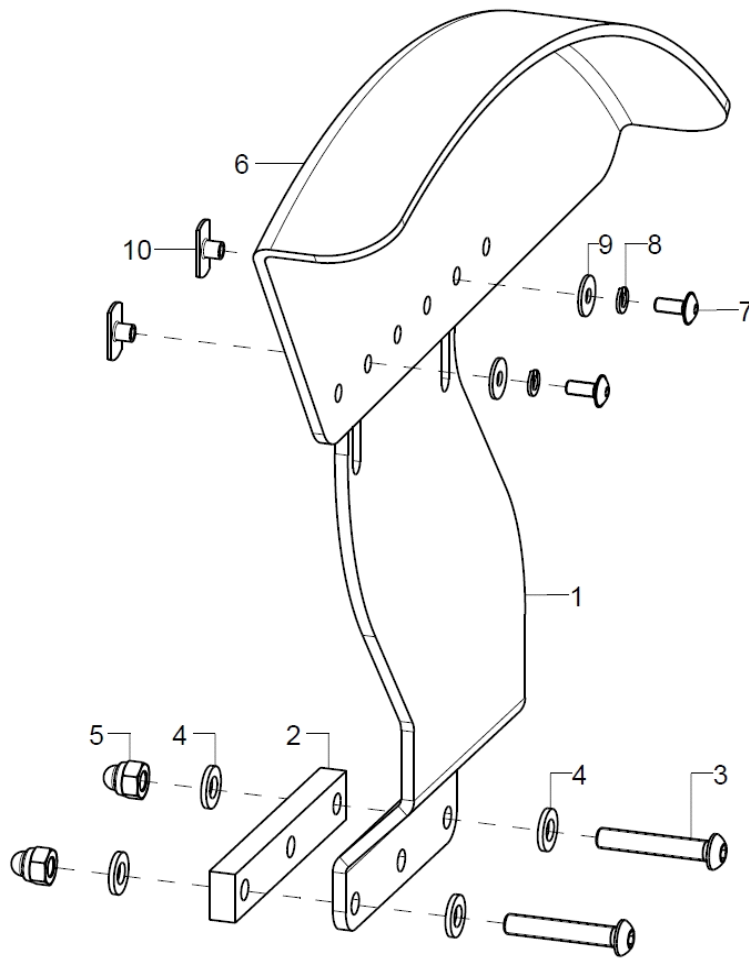
Wheel cover Long



pcs.	Q/1	item no.	Product name:	Variant:	drawing no.
1-5	1P	521002			52.10.01.01.00.76
altern.	1P	521004			52.10.01.02.00.76
2	1	52100202			52.10.01.06.00.76
3	2		lens head screw with hexagon socket ISO 7380 - M6x35		01.42.08.59.65.00
4	4		washer DIN 125 - A 6,4		02.61.06.41.41.20
5	2		hexagon cap nut low form with clamp DIN 986 - M6		02.33.00.60.11.20
6-10	1	5210			52.10.01.10.00.76
7	2		lens head screw with hexagon socket M4x10		01.43.07.28.65.00
8	2		spring ring DIN 127 - A 4		02.85.04.02.51.20
9	2		washer DIN 9021 - M4		02.79.04.31.00.20
10	2		weld nut C- M4x6		02.49.32.02.00.10

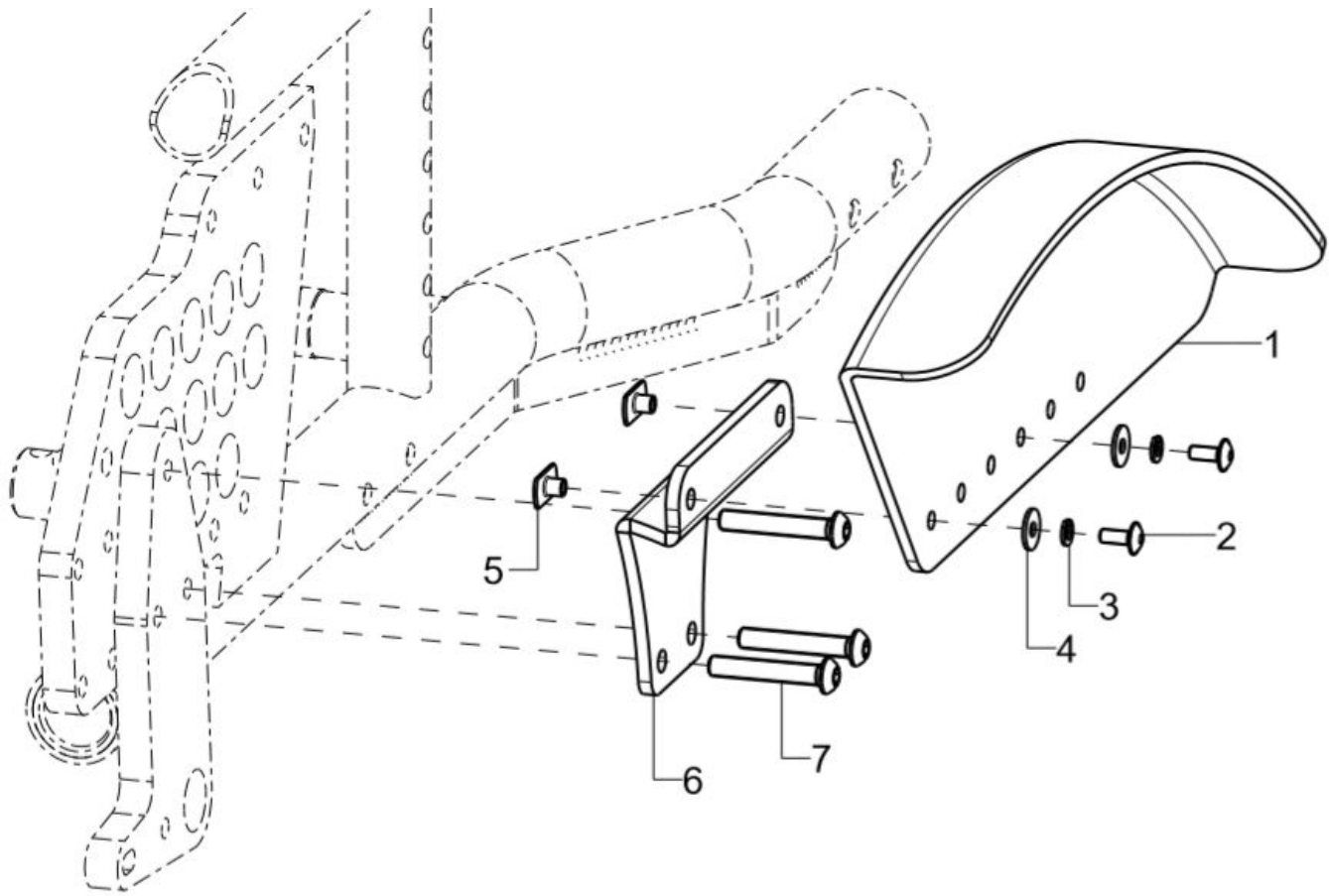


Wheel cover adapter Short



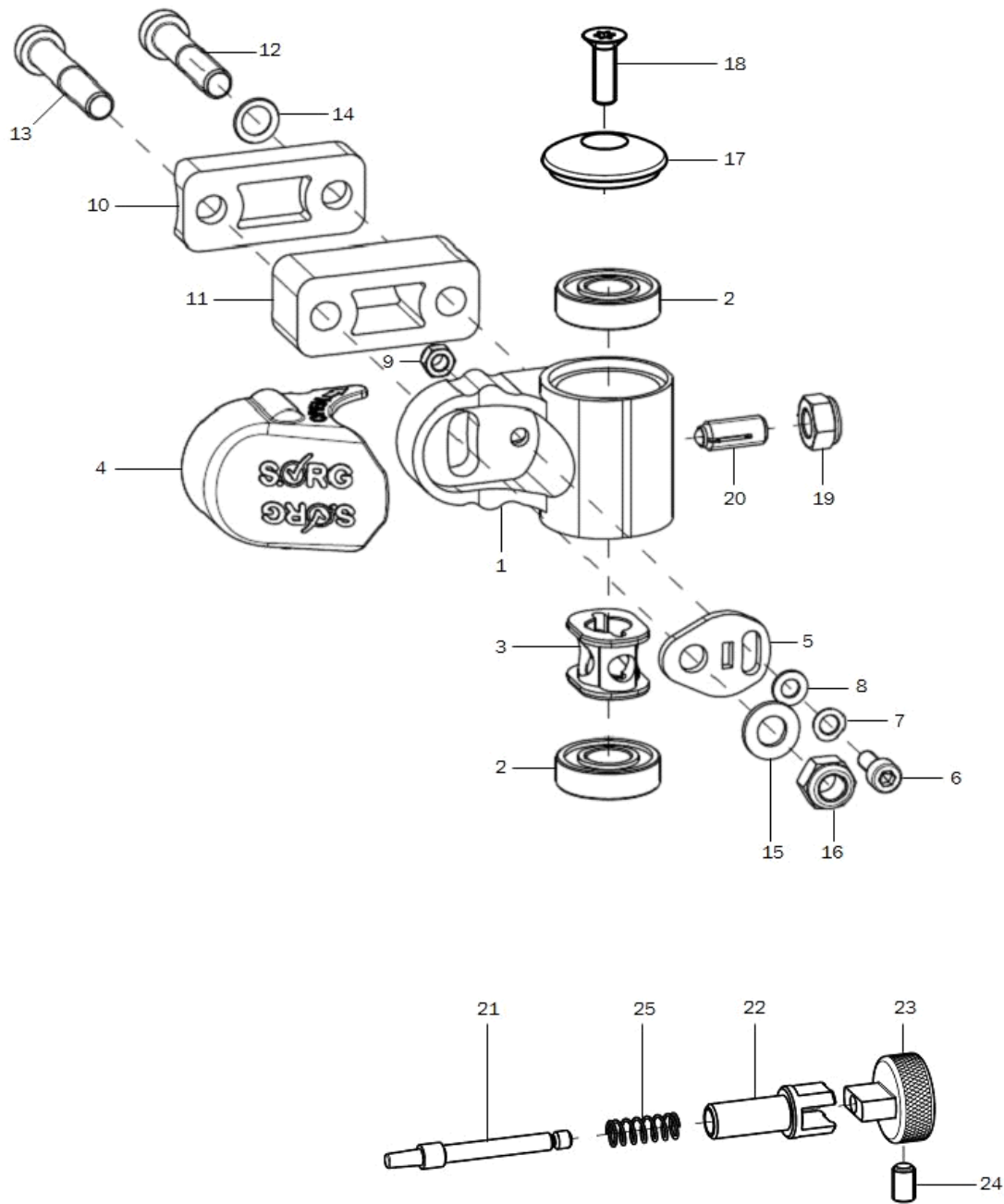
pcs.	Q/1	item no.	Product name:	Variant:	drawing no.
1-5	1P	521002			52.10.01.01.00.76
altern.	1P	521004			52.10.01.02.00.76
2	1	52100202			52.10.01.06.00.76
3	2		lens head screw with hexagon socket ISO 7380 - M6x35		01.42.08.59.65.00
4	4		washer DIN 125 - A 6,4		02.61.06.41.41.20
5	2		hexagon cap nut low form with clamp DIN 986 - M6		02.33.00.60.11.20
6-10	1	52110102			52.11.01.01.02.80
o.B.	1	52110101			52.11.01.01.01.80
7	2		lens head screw with hexagon socket M4x10		01.43.07.28.65.00
8	2		spring ring DIN 127 - A 4		02.85.04.02.51.20
9	2		washer DIN 9021 - M4		02.79.04.31.00.20
10	2		weld nut C- M4x6		02.49.32.02.00.10

Wheel cover 16 inches



pcs.	Q/1	item no.	Product name:	Variant:	drawing no.
1-5	1	52110102			52.11.01.01.02.80
o.B.	1	52110101			52.11.01.01.01.80
2	2		lens head screw with hexagon socket M4x10		01.43.07.28.65.00
3	2		spring ring DIN 127 - A 4		02.85.04.02.51.20
4	2		washer DIN 9021 - M4		02.79.04.31.00.20
5	2		weld nut C- M4x6		02.49.32.02.00.10
6-7	2	52100201			52.10.02.01.00.76
7	2				01.42.08.59.62.60

Caster wheel adapter



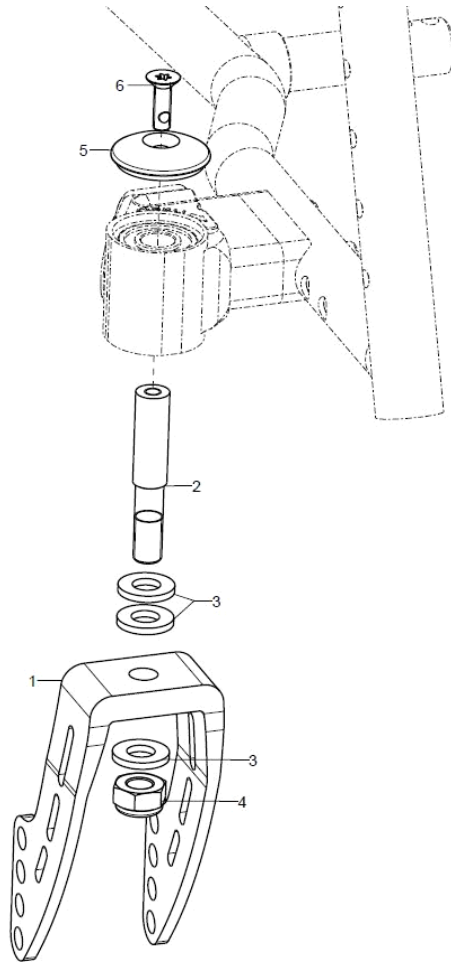
pcs.	Q/1	item no.	Product name:	Variant:	drawing no.
1-9	2	280506	caster adapter track fixation		XXXXXXXXXXXX
o.B.	2	280500	steering adapter aluminum complete		28.05.01.00.00.00
1	1	280507	caster adapter track fixation		28.05.01.01.00.00
altern.	1	280501	steering adapter aluminum		28.05.01.02.00.00
2	2	200011	groove ball bearing $\varnothing 28/12$ 6001z		04.32.12.08.00.10
3	1	280504	damper element		28.05.01.04.00.00
4	1	280030	cover cap		28.00.10.03.00.10
5	1	280503	eccentric disc		28.05.01.03.00.00
6	1		cylinder screw DIN 912 M5x12		01.22.07.89.72.40
7	1		lock washer S5		02.99.10.50.01.10
8	1		washer DIN 125 - A 5,3		02.61.05.31.01.20
9	1		hexagon nut self-locking low form DIN 985 - M5		02.32.00.50.01.20
10+12-16	2	280520			XX.XX.XX.XX.XX.XX



10+12-16	2	280521		XX.XX.XX.XX.XX.XX
10+12-16	2	280522		XX.XX.XX.XX.XX.XX
10	1	280505		28.05.02.02.00.00
11	1	280513	track extention 20mm	28.05.02.03.00.00
altern.	1	280514	track extention 40mm	28.05.02.04.00.00
12	1		cylinder screw low head DIN 7984 - M8x45	01.24.09.81.62.40
altern.	1		cylinder screw low head DIN 7984 - M8x65	01.24.09.85.62.40
altern.	1		cylinder screw low head DIN 7984 - M8x85	01.24.09.89.62.40
13	1			01.24.09.82.62.40
altern.	1			01.24.09.86.62.40
altern.	1			01.24.09.90.62.40
14	1		lock washer S8	02.99.10.80.01.10
15	1		washer DIN 125 - A 8,4	02.61.08.41.41.20
16	1		hexagon nut self-locking low form DIN 985 - M8	02.32.00.80.01.20
17-18	1	282107	cap 35x10 black anodized incl. mounting screw	28.21.07.01.00.10
18	1		counter sunk screw with Torx ISO 14581 M6x20 vz, black	01.66.08.54.92.21
19	1		hexagon nut self-locking low form DIN 985 - M8	02.32.00.80.01.20
20	2	285103	spring pressure piece M8 complete	04.14.50.80.21.20
21-25	1	285003	track fixation complete	XXXXXXXXXXXXX
21	1			28.50.01.01.00.10
22	1			28.50.01.02.00.10
23	1			28.50.01.03.00.10
24	1		setscrew with hexagon socket DIN 913,M5x8	01.67.07.87.61.20
25	1		pressure spring 0,55x5,5x23,7	04.21.05.52.37.10

Achtung: Wenn eine Lenk- und Schiebehilfe oder Rückhalteösen am Rollstuhl angebaut sind, bitte bei Bestellungen von Ersatzteilen angeben.

Caster wheel fork

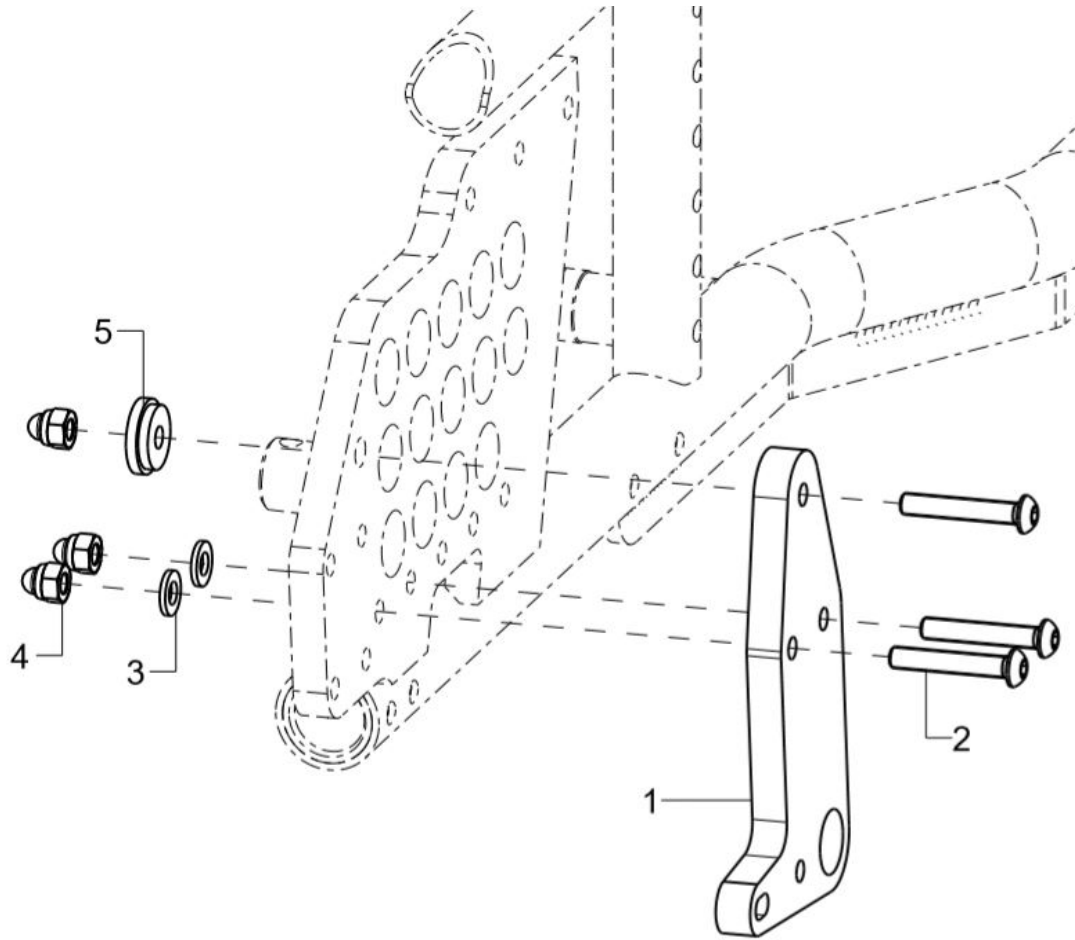


pcs.	Q/1	item no.	Product name:	Variant:	drawing no.
1	2	2841	caster fork aluminum 164x45		28.41.01.00.00.10
o.B.	2	2842	caster fork aluminum 126x45		28.42.01.00.00.10
o.B.	2	2845			28.00.02.03.00.00
2	2	282104	steering axle $\varnothing 12 \times 65$ , 1		28.21.05.01.00.10
o.B.	2	285101	steering axle 65 for track fixation		28.50.00.03.00.10
o.B.	2	285001	steering axle 65 for locking		28.50.00.01.00.10
3+4	2	282120	mounting set caster axle on caster fork aluminum (washers, hexagon nut)		28.21.20.01.01.00
3	3		washer DIN 1440 -10x20x2,5		02.71.10.02.50.20
4	1		hexagon nut self-locking low form DIN 985 - M10		02.32.01.00.01.20
5-6	2	282107	cap 35x10 black anodized incl. mounting screw		28.21.07.01.00.10
6	2		counter sunk screw with Torx ISO 14581 M6x20 vz, black		01.66.08.54.92.21

## Caster wheel

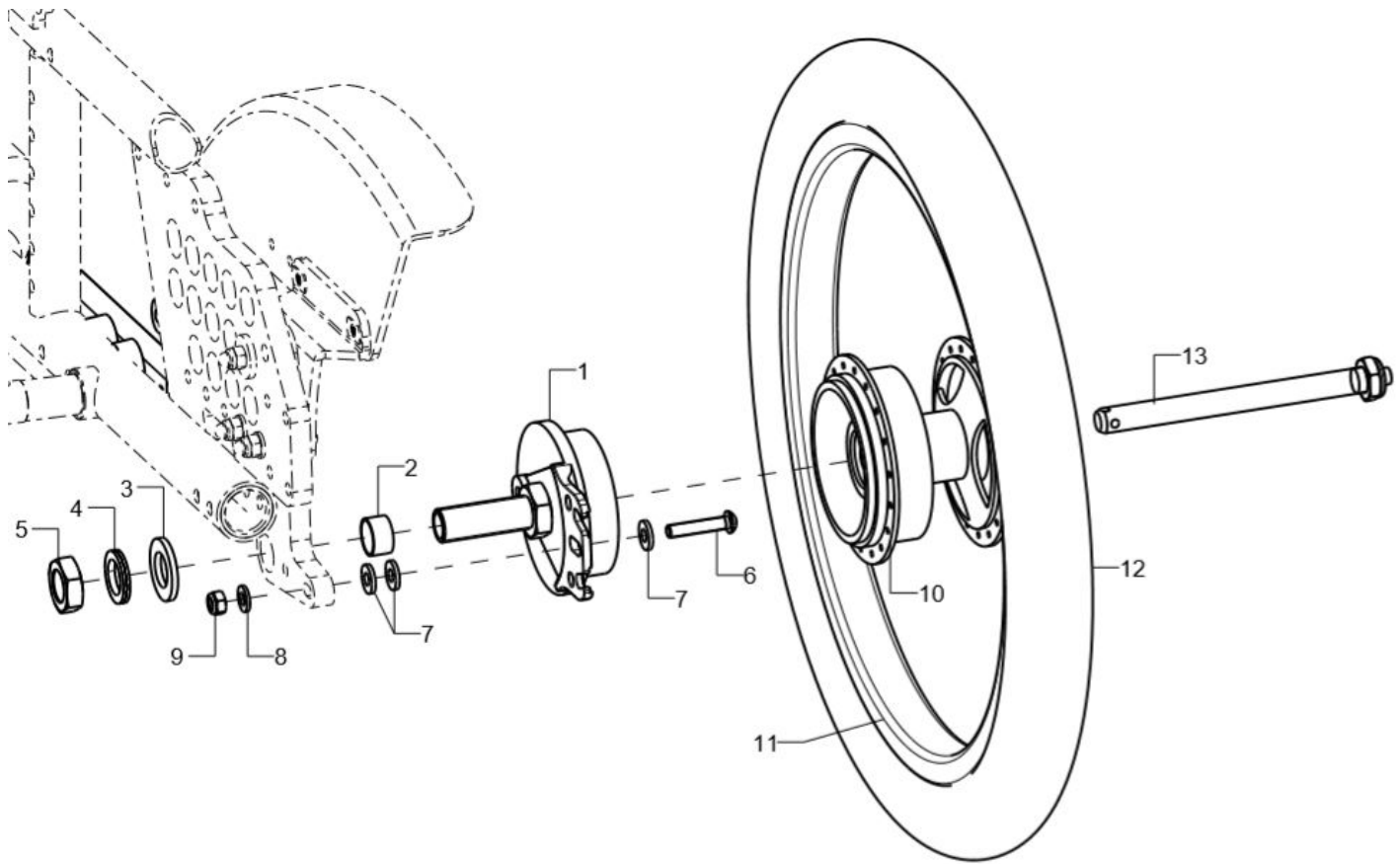
pcs.	Q/1	item no.	Product name:	Variant:	drawing no.
o.B.	2	2805	caster 5" PU		04.52.42.05.00.30
o.B.	2	2809	caster 5" soft solid rubber		04.52.44.05.00.10
o.B.	2	2834	caster 5" PU, transparent with LED		04.52.45.05.00.40
o.B.	2	2836	caster 5" solid rubber black with aluminum rim		04.52.41.05.00.61
o.B.	2	2802	caster 5,5" solid rubber		
o.B.	2	2803	caster 6" PU		04.52.42.06.00.30
o.B.	2	2811	caster 6" solid rubber		04.52.41.06.00.30
o.B.	2	2838			04.52.41.06.00.70
o.B.	2	2808	caster 6" pneumatic wheels		04.52.43.06.00.11
o.B.	2	2813	caster 7" solid rubber		04.52.41.07.00.20
o.B.	2	2807	caster 7" pneumatic wheels		04.52.43.07.00.11
o.B.	2	289998			

Adaptation plate 16 inch



pcs.	Q/1	item no.	Product name:	Variant:	drawing no.
1-5	2	20157616			20.15.76.16.00.76
2	3		lens head screw with hexagon socket ISO 7380 - M6x30		01.42.08.58.65.00
o.B.	3				01.42.08.59.62.60
3	2		washer DIN 125 - A 6,4		02.61.06.41.41.20
4	3		hexagon cap nut low form with clamp DIN 986 - M6		02.33.00.60.11.20
5	1				76.06.01.04.00.69

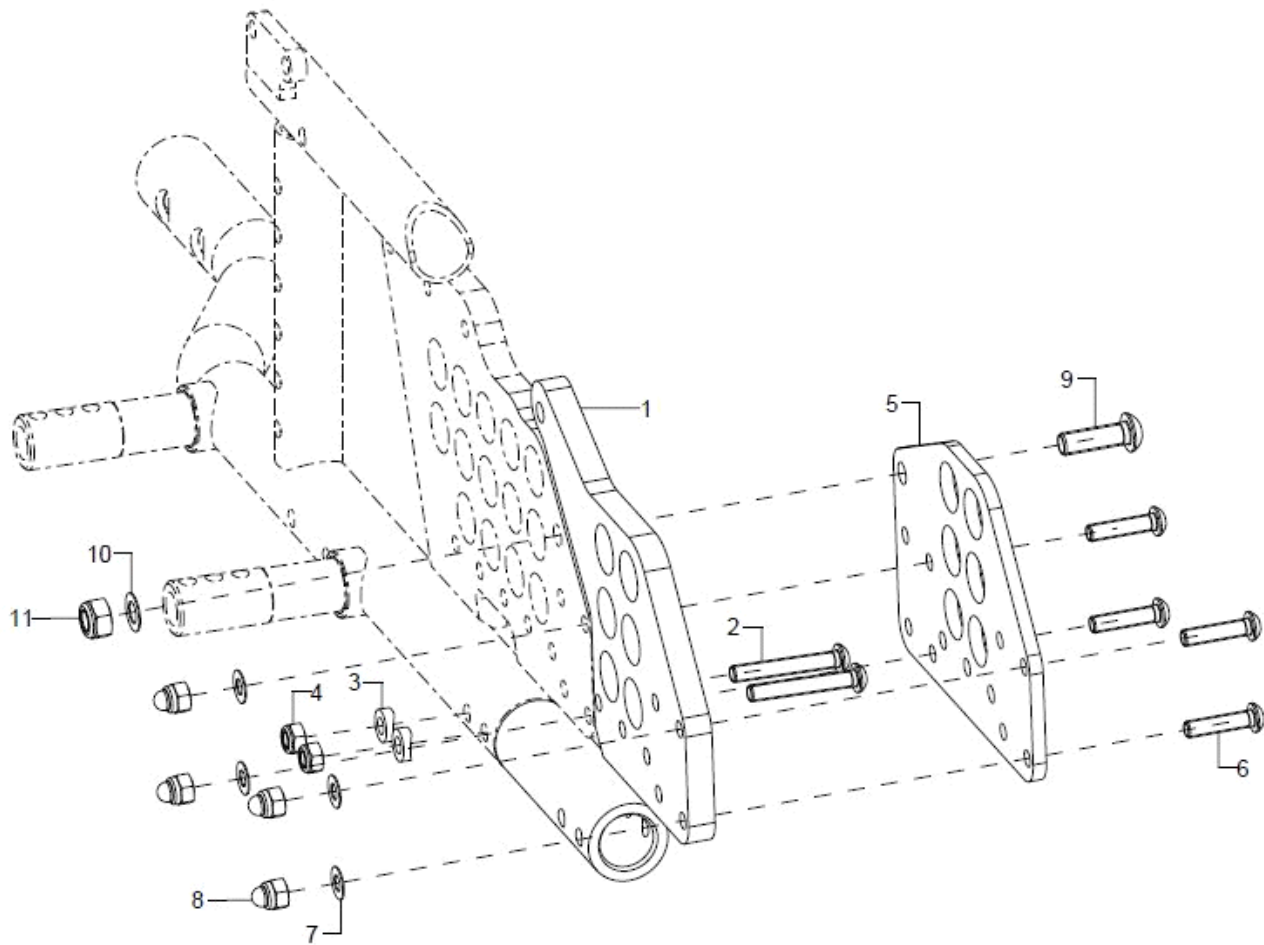
16 inch wheel



pcs.	Q/1	item no.	Product name:	Variant:	drawing no.
1-9	1	220016	drum brake anchor, black coated		04.51.67.00.01.10
2	1				22.00.12.03.00.69
3	1		washer DIN 125 - A 17		02.61.17.02.71.20
4	1		lock washer M16 (Nord-Lock)		02.99.21.70.01.10
5	1		nut M16x1 SW 24		02.19.01.60.11.21
6	1		lens head screw with hexagon socket ISO 7380 - M6x30		01.42.08.58.65.00
7	3		washer reinforced $\varnothing 14/6,2 \times 2$		58.30.15.01.00.24
8	1		washer DIN 125 - A 6,4		02.61.06.41.41.20
9	1		hexagon nut self-locking low form DIN 985 - M6		02.32.00.60.01.20
10	1	22160003			
o.B.	1	22164003			
11		22160002			
12	1	201612			
o.B.	1	200516			
o.B.	1	231611			
13	1	220001	quick-release axle D12x123mm for drum brake		04.51.51.21.20.30

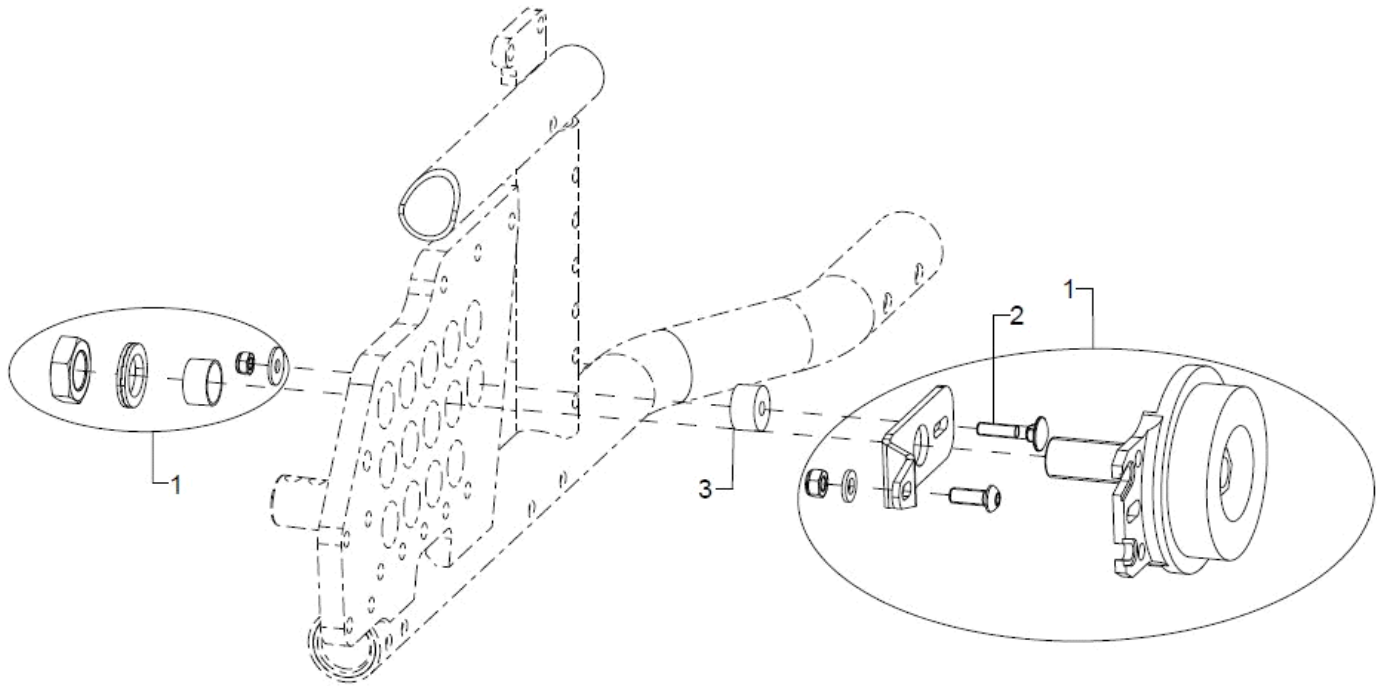


Wheel base extension



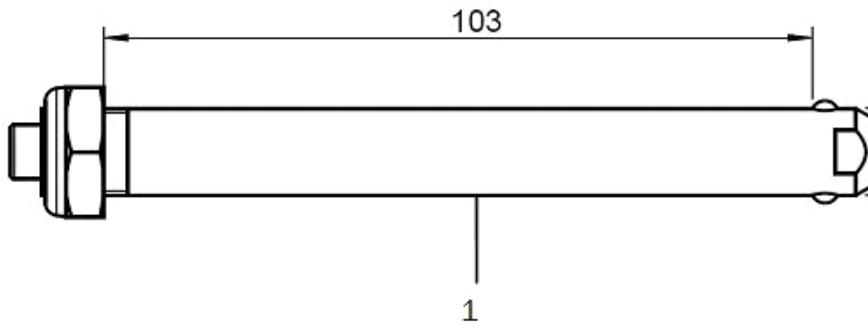
pcs.	Q/1	item no.	Product name:	Variant:	drawing no.
1-4	1	767602			76.76.02.01.02.76
o.B.	1	767601			76.76.02.01.01.76
2	2		lens head screw with hexagon socket ISO 7380 - M6x40		01.42.08.60.65.00
3	2		saddle washer $\varnothing 12/6 \times 2,5$		35.04.16.01.00.10
4	2		hexagon nut self-locking low form DIN 985 - M6		02.32.00.60.01.20
5-11	2	767604			76.76.02.04.00.76
6	4		lens head screw with hexagon socket ISO 7380 - M6x25		01.42.08.56.65.00
7	4		fitted washer DIN 988 - 6x12x0,5 - A2		02.68.06.00.50.30
8	4		hexagon cap nut low form with clamp DIN 986 - M6		02.33.00.60.11.20
9	1				01.42.09.76.65.00
10	1				02.68.08.05.00.30
11	1		hexagon nut self-locking low form DIN 985 - M8		02.32.00.80.01.20

Drum brake anchor



pcs.	Q/1	item no.	Product name:	Variant:	drawing no.
1-3	2	220005	drum brake body complete, incl. adapter and counter wrench		22.00.01.99.00.10
2	1				01.11.07.94.00.40
3	1				20.15.76.02.00.76

**Wheels**



pcs.	Q/1	item no.	Product name:	Variant:	drawing no.
o.B.	2	222000	20" driving wheel with drum brake		
o.B.	2	222200	22" driving wheel with drum brake		
o.B.	2	222400	24" driving wheel standard with drum brake		
o.B.	2	222040	20" profile wheel with built-in hand rim with drum brake		
o.B.	2	222240	22" profile wheel with built-in hand rim with drum brake		
o.B.	2	222440	24" profile wheel with built-in hand rim with drum brake		
1	2	220001	quick-release axle D12x123mm for drum brake		04.51.51.21.20.30

## Tyres

pcs.	Q/1	item no.	Product name:	Variant:	drawing no.
o.B.	2	202016			
o.B.	2	202216			
o.B.	2	202416			
o.B.	2	202212	tire for pneumatic tube 22x1" Marathon plus, black		
o.B.	2	202412	tire for pneumatic tube 24x1" Marathon plus, black		04.61.12.41.20.21
o.B.	2	202021	tire for pneumatic tube 20x1 3/8" grey		04.61.12.00.20.10
o.B.	2	202221	tire for pneumatic tube 22x1 3/8" grey		04.61.12.20.30.10
o.B.	2	202421	tire for pneumatic tube 24x1 3/8" grey		04.61.12.40.30.10
o.B.	2	200520	tube 20"		
o.B.	2	200522	tube 22"		
o.B.	2	200524	tube 24"		
o.B.	2	232013			
o.B.	2	232213			
o.B.	2	232413			
o.B.	2	232014			
o.B.	2	232214			
o.B.	2	232414			

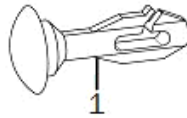
**Hand rims**

<b>pcs.</b>	<b>Q/1</b>	<b>item no.</b>	<b>Product name:</b>	<b>Variant:</b>	<b>drawing no.</b>
o.B.	2	302101	handrim 20" high, stainless steel polished		
o.B.	2	302201	handrim 22" standard, stainless steel polished		
o.B.	2	302301	handrim 22" high, stainless steel polished		
o.B.	2	302401	handrim 24" standard, stainless steel polished		
o.B.	2	302501	handrim 24" high, stainless steel polished		
o.B.	2	302075			
o.B.	2	302175			
o.B.	2	302275			
o.B.	2	302375			
o.B.	2	302475			
o.B.	2	302575			
o.B.	2	3420	Maxgrepp-handrim 20", 4 loops complete		
o.B.	2	3422	Maxgrepp-handrim 22", 4 loops complete		
o.B.	2	342401			
o.B.	2	34152004			
o.B.	2	34152204			
o.B.	2	34152406			
o.B.	2	3320	hand rim aluminium, 20", black, pvc coating		
o.B.	2	3322	hand rim aluminium, 22", black, pvc coating		
o.B.	2	3324	hand rim aluminium, 24", black, pvc coating		

**Hand rim covers**

<b>pcs.</b>	<b>Q/1</b>	<b>item no.</b>	<b>Product name:</b>	<b>Variant:</b>	<b>drawing no.</b>
o.B.	2	322002	handrim cover silicone black ø442		04.67.06.20.00.40
o.B.	2	322202	handrim cover silicone black ø478		04.67.06.22.00.30
o.B.	2	322402	handrim cover silicone black ø532		04.67.06.24.00.30
o.B.	2	322404	handrim cover silicone black ø504		04.67.06.24.00.10
o.B.	2	322603	handrim cover silicone black ø565		04.67.06.24.00.40
o.B.	2	322001	handrim cover profile wheel, Ergo 20"		
o.B.	2	322201	handrim cover profile wheel, Ergo 22"		
o.B.	2	322401	handrim cover profile wheel, Ergo 24"		

Spoke guards



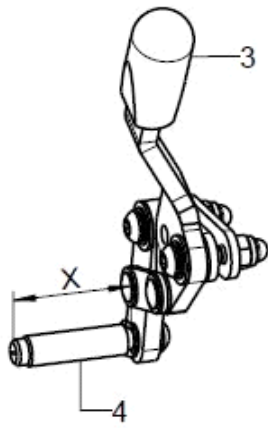
pcs.	Q/1	item no.	Product name:	Variant:	drawing no.
1	1	250001	clip for transparent spoke cover		25.00.99.01.00.10
o.B.	2	252000	spoke cover 20", Unicolor transparent		
o.B.	2	252200	spoke cover 22", Unicolor transparent		
o.B.	2	252400	spoke cover 24", Unicolor transparent		

**Design-Dekor-Speichenschützer können Sie unter den folgenden Internetadressen wählen:**

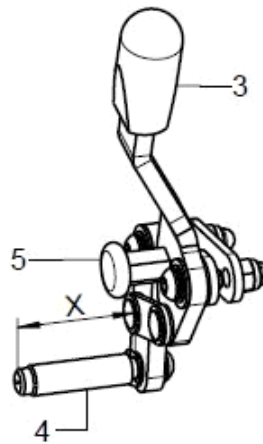
[www.speichen-schutz.de](http://www.speichen-schutz.de)  
[www.wheelchairgadgets.com](http://www.wheelchairgadgets.com)

Knee lever brake

Bremsenvarianten

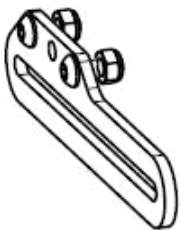


1  
KHB Standard

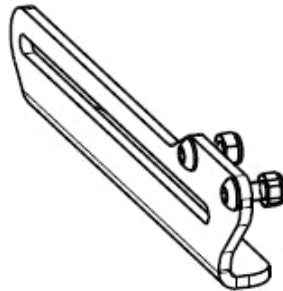


2  
KHB verriegelbar

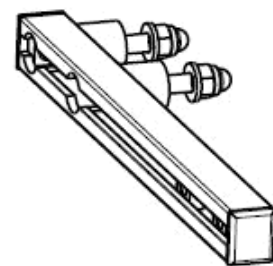
Anbauvarianten



Bei geschlossenem  
Rahmen ohne Rad-  
standsverlängerung  
Rahmengröße 1-3



Bei geschlossenem  
Rahmen ohne Rad-  
standsverlängerung  
Rahmengröße 4



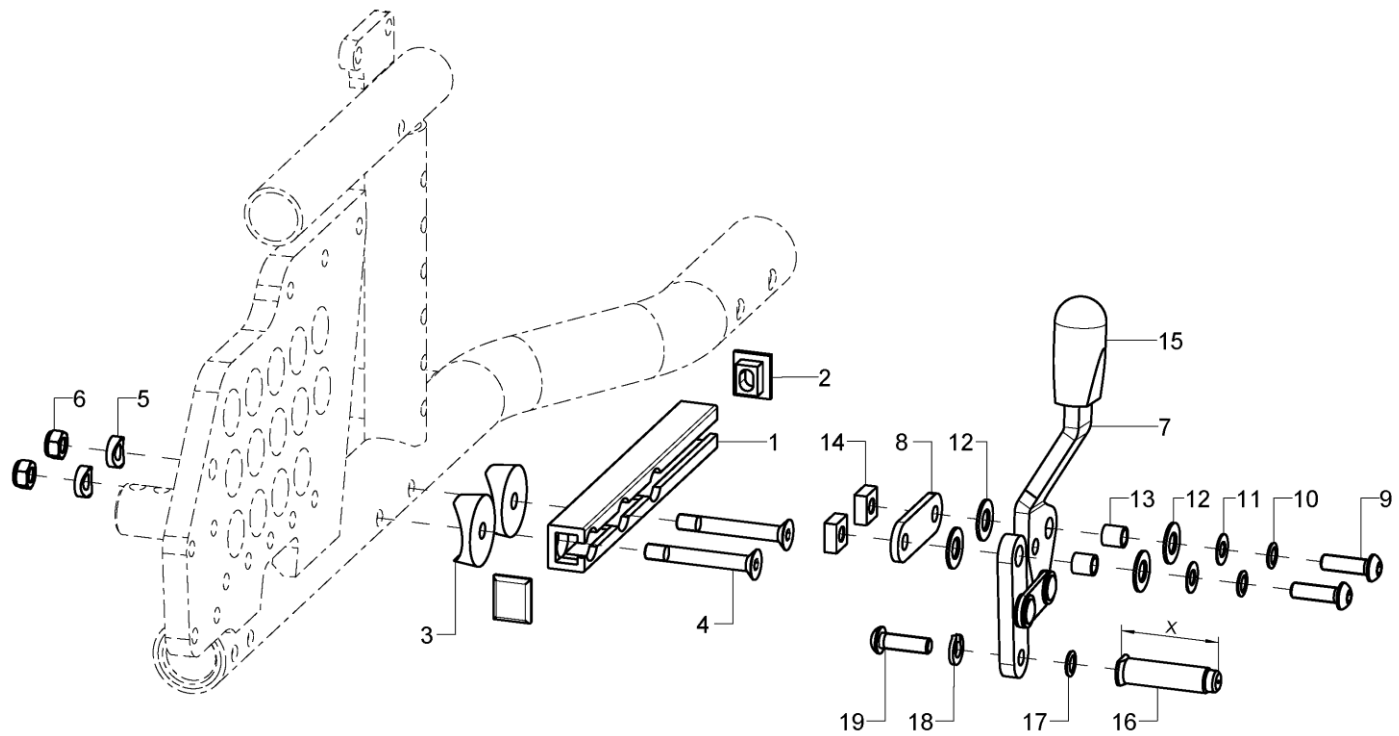
Bei geschlossenem  
Rahmen mit Rad-  
standsverlängerung





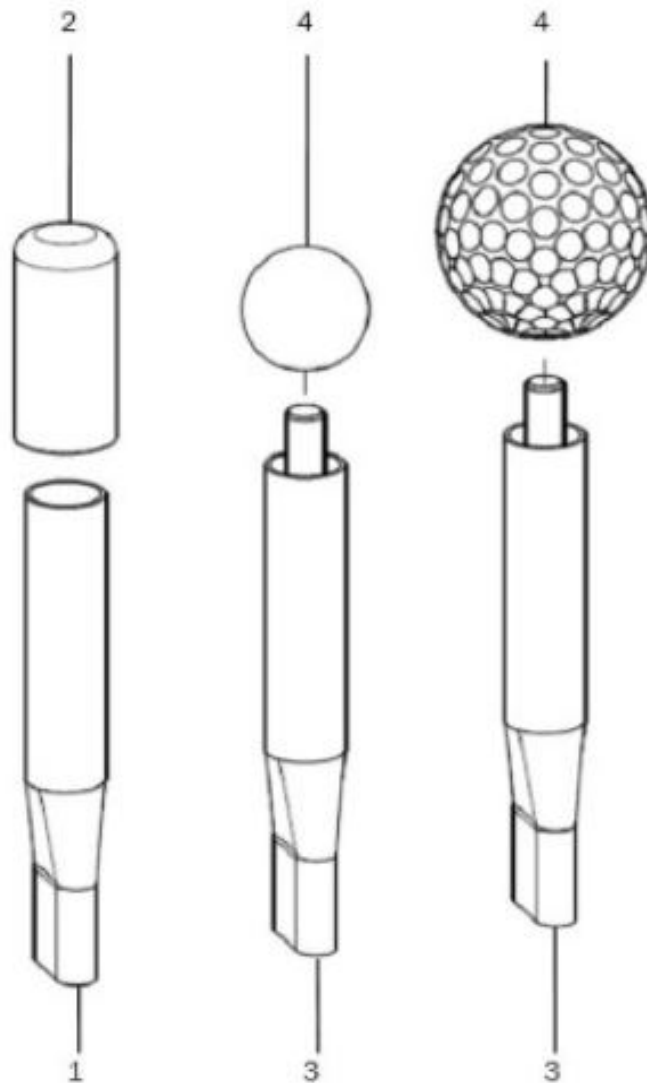
pcs.	Q/1	item no.	Product name:	Variant:	drawing no.
	1	35251602			
	1	35251606			
	1	35251603			
1+3+4	1	352502	knee lever brake standard right complete		XXXXXXXXXXXXX
o.B.	1	352501	knee lever brake standard left complete		XXXXXXXXXXXXX
2-5	1	351302	knee lever brake lockable complete right		XXXXXXXXXXXXX
o.B.	1	351301	knee lever brake lockable complete left		XXXXXXXXXXXXX
3	2	350017	cap black 15x6,8		35.00.17.01.00.10
4	1	352518	brake bolt 40 mm left-hand thread incl. mounting set		35.25.01.18.00.10
o.B.	1	352506	brake bolt milled 40 mm incl. mounting set		35.25.01.15.00.10
o.B.	1	352519	brake bolt 50 mm left-hand thread incl. mounting set		35.25.01.19.00.10
o.B.	1	352507	brake bolt milled 50 mm incl. mounting set		35.25.01.16.00.10
5	1	350530			04.14.43.30.02.01

Knee lever brake for 16 inches wheel



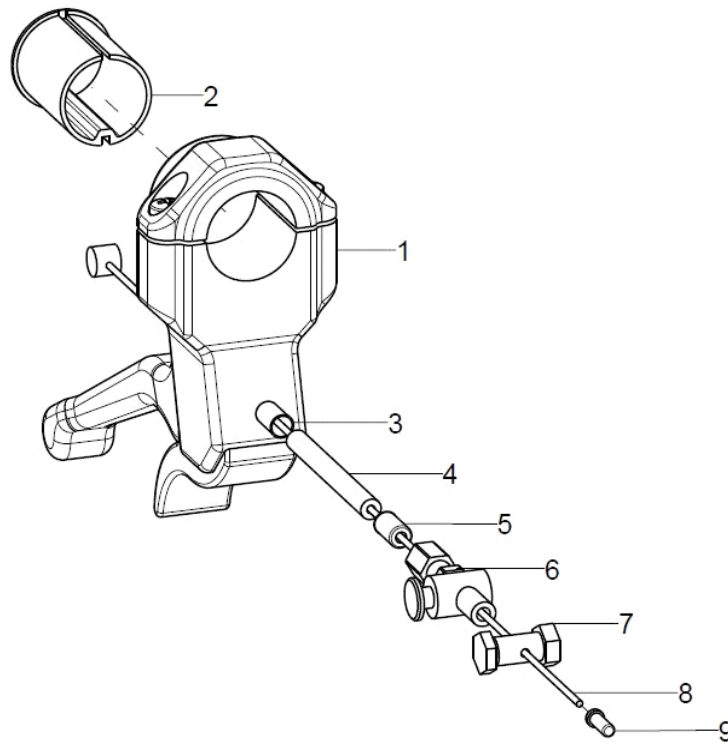
pcs.	Q/1	item no.	Product name:	Variant:	drawing no.
1-19	1	35251522			XX.XX.XX.XX.XX.XX
1-6	2	35251510			35.25.15.10.00.76
2	2				35.01.02.05.00.10
3	2				04.63.39.28.06.30
4	2		counter sunk screw with hexagon socket DIN 7991 M6X45		01.65.08.61.05.00
5	2		saddle washer Ø12/6x2,5		35.04.16.01.00.10
6	2		hexagon nut self-locking low form DIN 985 - M6		02.32.00.60.01.20
7	2	352504	brake pad standard pre-mounted right		35.25.01.02.02.10
o.B.	2	352503	brake pad standard pre-mounted left		35.25.01.02.01.10
8	2	352505	bracket 34 Bd 16x3x50		35.25.01.07.00.18
9-14	2	352590			XX.XX.XX.XX.XX.XX
9	2		lens head screw with hexagon socket ISO 7380 - M6x20		01.42.08.54.05.00
10	2		lock washer S6		02.99.10.60.01.10
11	2		fitted washer DIN 988 - 12x18x0,5		02.68.12.00.50.30
12	4		fender disc 8,4x16x1 PE		02.81.16.00.10.70
13	2				35.00.18.01.00.30
14	2		square nut SW 12x5-M6		02.51.00.60.01.20
15	2	350017	cap black 15x6,8		35.00.17.01.00.10
16-19	1	352518	brake bolt 40 mm left-hand thread incl. mounting set		35.25.01.18.00.10
o.B.	1	352506	brake bolt milled 40 mm incl. mounting set		35.25.01.15.00.10
altern.	1	352519	brake bolt 50 mm left-hand thread incl. mounting set		35.25.01.19.00.10
o.B.	1	352507	brake bolt milled 50 mm incl. mounting set		35.25.01.16.00.10
17	1		lock washer S6		02.99.10.60.01.10
18	1		spring ring DIN 127- A6		02.85.30.60.05.10
19	1		lens head screw with hexagon socket ISO 7380 , M6x20 left-hand thread		01.42.08.54.05.01
o.B.	1		lens head screw with hexagon socket ISO 7380 - M6x20		01.42.08.54.05.00

Brake lever extension



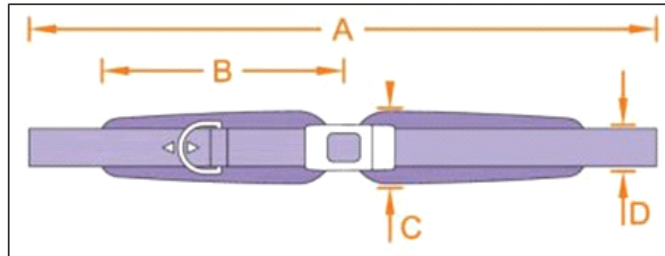
pcs.	Q/1	item no.	Product name:	Variant:	drawing no.
1-2	2	3510	brake lever extension with cap		35.01.03.02.00.10
2	2	351011	PVC cap one-hand brake		04.63.00.16.40.40
3-4	2	3512	brake lever extension 100 for ball knob		35.14.03.01.00.30
4	2	351016	ball knob		04.06.12.50.80.40
altern.	2	351211	golf ball		04.06.14.20.80.00

Brake lever for drum brake



pcs.	Q/1	item no.	Product name:	Variant:	drawing no.
1-9	2	352016	hand brake lever complete		XXXXXXXXXXXX
1+2	1	352010	hand brake lever for attendant brake incl. mounting set		04.54.92.22.20.10
2	1	352011			35.20.11.01.00.28
3-9	2	352006			35.20.06.99.00.10
3	1				04.54.91.50.11.21
4	1		outer shell for Bowden cable black 150mm		04.54.91.21.53.00
5	1		end bush metal $\varnothing 5$		04.54.91.50.10.41
6	1		set screw for Bowden cable M6x40 mm		04.54.01.40.60.20
7	1		clamp screw for bowden cable		04.54.11.30.00.20
8	1		inner Bowden cable 1,5x2250		04.54.91.11.52.20
9	1		end cap for inner Bowden cable $\varnothing 1-1,5$ mm		04.54.91.50.10.40

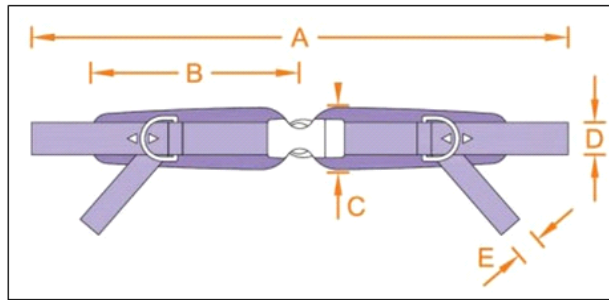
2 point pelvic belt with metal fastener



Größe	A	B	C	D
1	148	14	5	2,5
2	156	17	6	2,5
3	166	22	7	2,5

pcs.	Q/1	item no.	Product name:	Variant:	drawing no.
1	1	78050204			04.56.91.06.01.00
o.B.	1	78050205			04.56.91.06.02.00
o.B.	1	78050206			04.56.91.06.03.00
o.B.	1	78050210			04.56.91.01.01.11
o.B.	1	780107			78.01.06.02.01.00

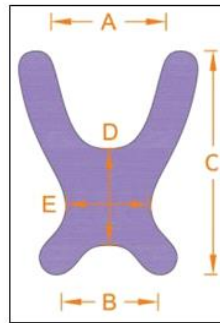
4 point pelvic belt with metal fastener



Größe	A	B	C	D	E
1	148	14	5	2,5	2,5
2	156	17	6	2,5	2,5
3	166	22	7	2,5	2,5

pcs.	Q/1	item no.	Product name:	Variant:	drawing no.
1	1	78050404			04.56.91.08.01.00
o.B.	1	78050405			04.56.91.08.02.00
o.B.	1	78050406			04.56.91.08.03.00
o.B.	1	78050210			04.56.91.01.01.11
o.B.	1	780107			78.01.06.02.01.00

Chest shoulder belt



Größe	A	B	C	D	E
1	9	21	27	10	12
2	12	24	36	14	14
3	17	30	42	15	18
4	20	32	48	17	21

pcs.	Q/1	item no.	Product name:	Variant:	drawing no.
1	1	781001			04.56.92.05.01.00
o.B.	1	781002			04.56.92.05.02.00
o.B.	1	781003			04.56.92.05.03.00
o.B.	1	781004			04.56.92.05.04.00
o.B.	1	780107			78.01.06.02.01.00