

Boogie Drive

SPARE PARTS LIST



[SORG Rollstuhltechnik](#)

Revision: 27.09.2023 11:07:27



Dear customer,
in the following pages you will find a spare part list with all parts used to build our wheelchairs.

To ensure a accurate delivery of spare parts it is vital to provide the following information for the identification label in addition to the Article-Number (Art.-No.).

1. Serial number

The serial number enables us to identify the configuration of delivery of the specific chair in.

2. Frame size, frame width and wheel size

The measures on the identification label are specified for the delivery configuration. If you changed any of these measures after delivery e.g. by growing the chair, please specify the actual new measures.

3. Lower leg length

We need the LLL to decide for the right version of several attachments which are connected to the LLL.

4. Frame colour

Please indicate the colour of the frame when ordering a powder coated spare part. Please note also if the finish alternative is shiny or matt.

5. Any other change after delivery (e.g. attachments)

We cannot know about changes after delivery. If you are not sure if such a change has any influence on the needed spare parts, please give us some details about it.

List of abbreviations

Pcs.	piece number
item no	item number to order specific spare part
Q/1	quantity per wheelchair/assembly group
FS	frame size
FW	frame width
BH	back height
alt.	alternative
l/r	left/right

Handling annotations

Only items with item number are to order.
right / left are in relation to driving direction.

If you need further assistance, please contact us:

SORG Rollstuhltechnik GmbH & Co.KG

Benzstraße 3-5
68794 Oberhausen-Rheinhausen
Fon +49 7254 - 9279 0
Fax +49 7254 - 9279 10

info@sorgrollstuhltechnik.de

<https://www.sorgrollstuhltechnik.de>

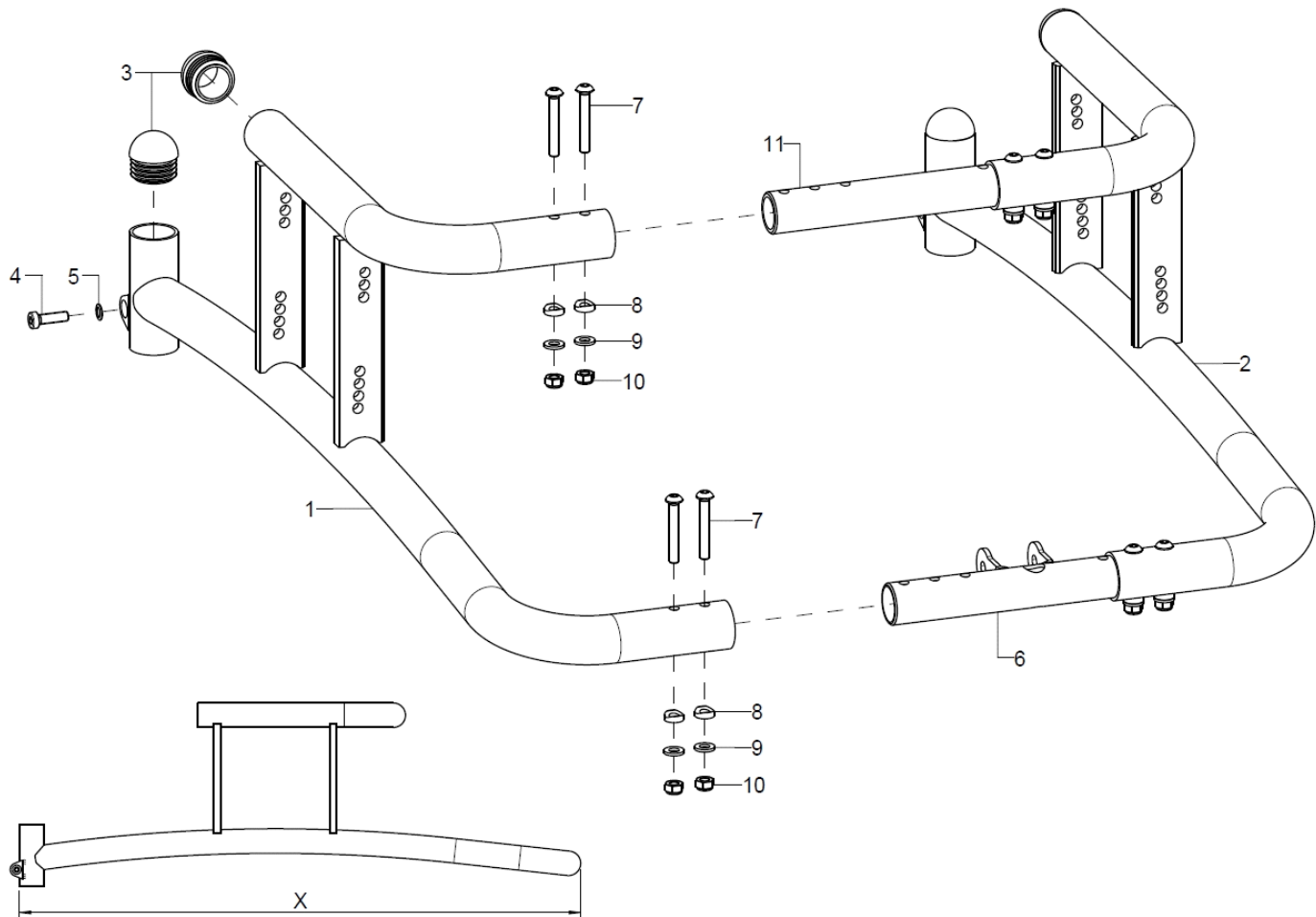
Opening times:
Monday - Friday 8.00 am - 4.30 pm

Technical alterations and misprints excluded.
Prices on demand.

Contents

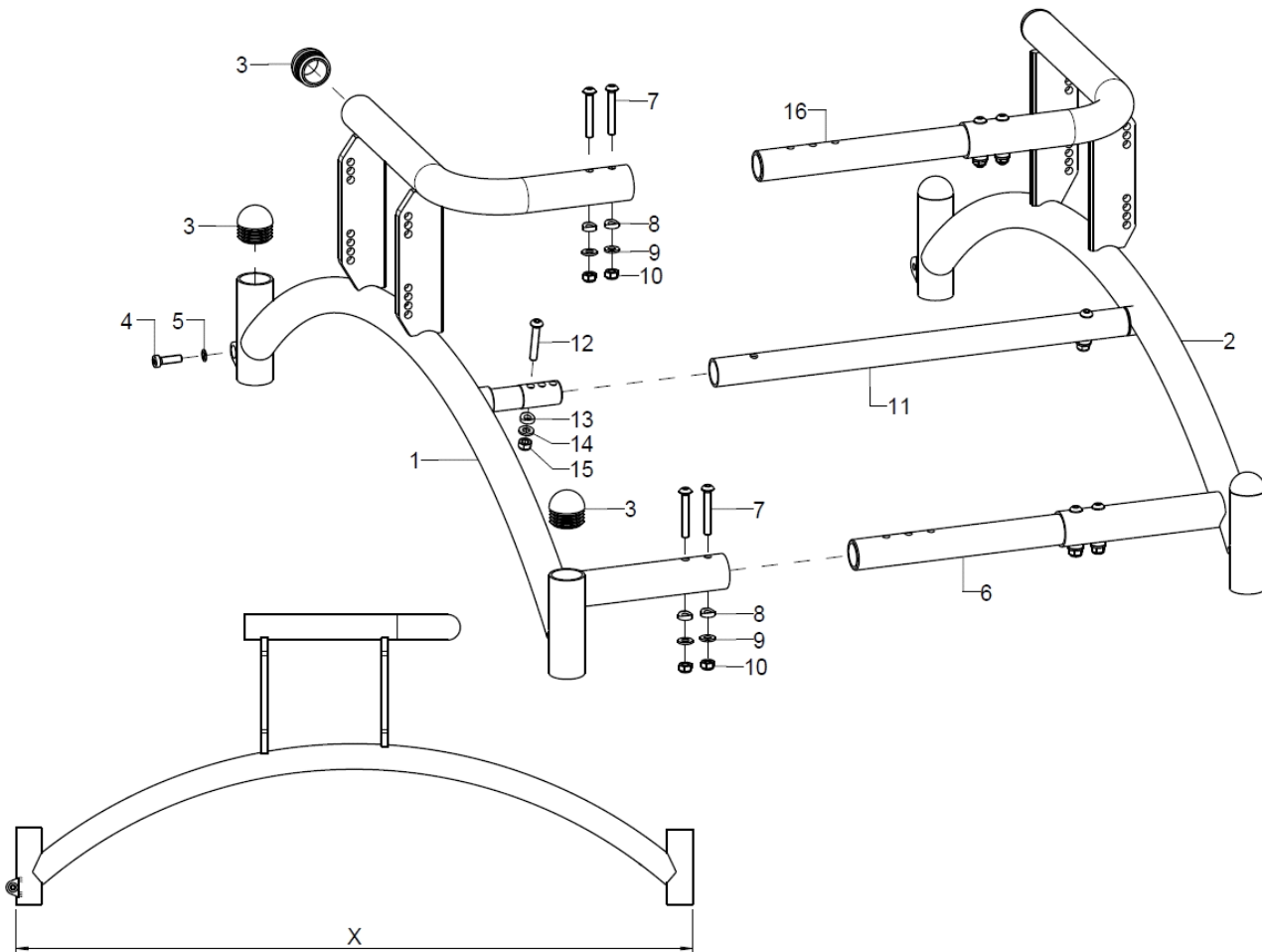
<u>Frames</u>	
Frames size 1 or 2	1
Frame size 3	2
<u>Centre column</u>	
Centre column	3
Telescopic tilt adjustment Frame size 1 + 2	4
Telescopic tilt adjustment Frame size 3	5
Gas spring tilt adjustment	6
<u>Caster wheels</u>	
Rear caster wheels	12
Front stabilizer wheel	13
<u>Wheels</u>	
Wheel attachment	14
Wheels, tyres, hand rim covers and spoke covers	15
<u>Leg support</u>	
Foot plate divided Standard	7
Foot plate undivided Standard	8
Foot plate with 3D-adjustment	10
Foot shells	11
<u>Side truss pads</u>	
Knee truss pad Standard (knee-wide 4,5-7,5cm)	16
Knee truss pad Standard (knee-wide 6-11cm)	17
Knee truss pad with resting brackets	19
Back truss pad (only for frame sizes 1 + 2)	20
Back pad with swivel bracket frame	22
Chest truss pad	24
Posterior truss pad	26
Posterior truss pad with crank (linear part)	28
Posterior truss pad with crank (truss pad part)	29
Side chest truss pad / Side posterior truss pad	31
Side pelvis truss pad	33
Front pelvic truss pad	34
<u>Brakes</u>	
Brake lever and bowden cable for drum brake	35
Brake lever at therapy table	36
Brake lever at centre column	37
<u>Options</u>	
Therapy table	38
Therapy table with toy box	40

Frames size 1 or 2



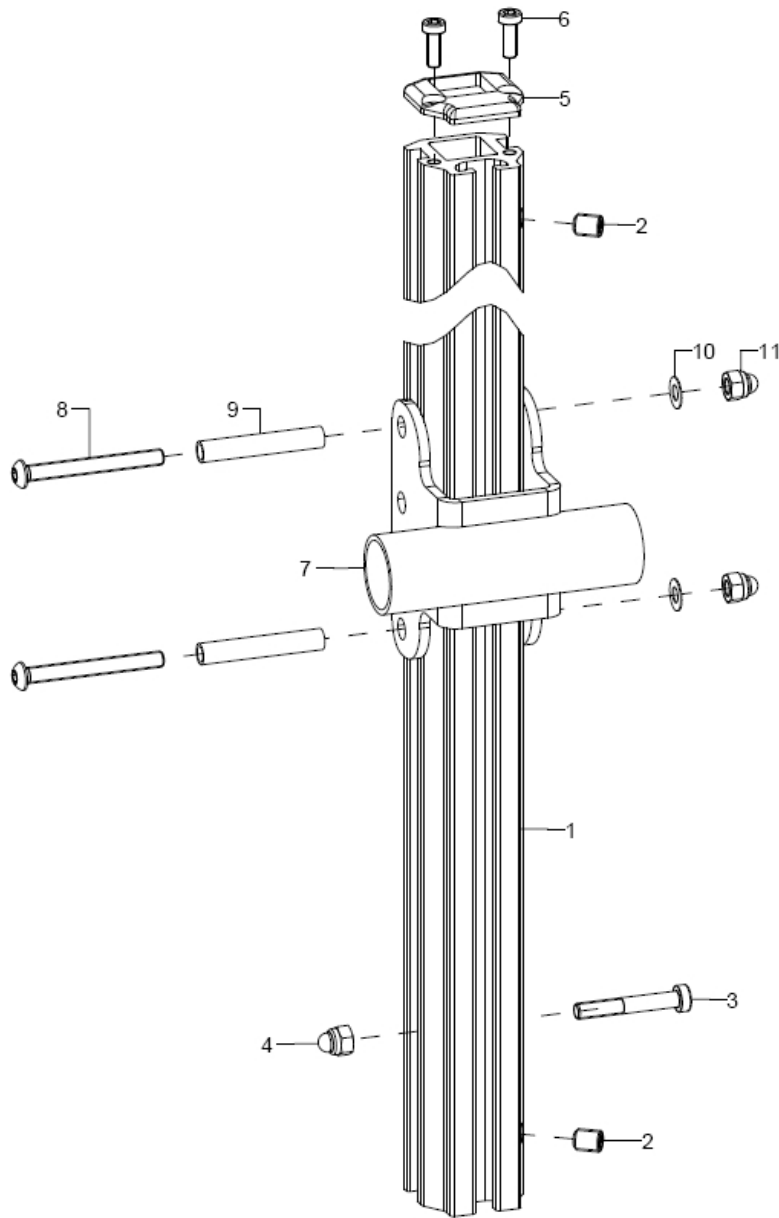
pcs.	Q/1	item no.	Product name:	Variant:	drawing no.
1+3-5	1	59590102			59.59.01.00.02.59
2-5	1	59590101			59.59.01.00.01.59
o.B.	1	59590202			59.59.02.00.02.59
o.B.	1	59590201			59.59.02.00.01.59
3	2		plug half sphere Ø30		04.63.10.30.01.10
4	1				01.24.08.53.05.00
5	1		lock washer S6		02.99.10.60.01.10
6-10	1	59590501			59.59.05.01.00.59
o.B.	1	59590502			59.59.05.03.00.59
7	4		lens head screw with hexagon socket ISO 7380 - M6x40		01.42.08.60.65.00
8	4		saddle washer Ø12/6x2,5		35.04.16.01.00.10
9	4		washer DIN 125 - A 6,4		02.61.06.41.41.20
10	4		hexagon nut self-locking low form DIN 985 - M6		02.32.00.60.01.20
11+7-10	1	59590601			59.59.06.01.01.59
o.B.	1	59590602			59.59.06.01.02.59
o.B.	2				59.59.03.12.00.59

Frame size 3



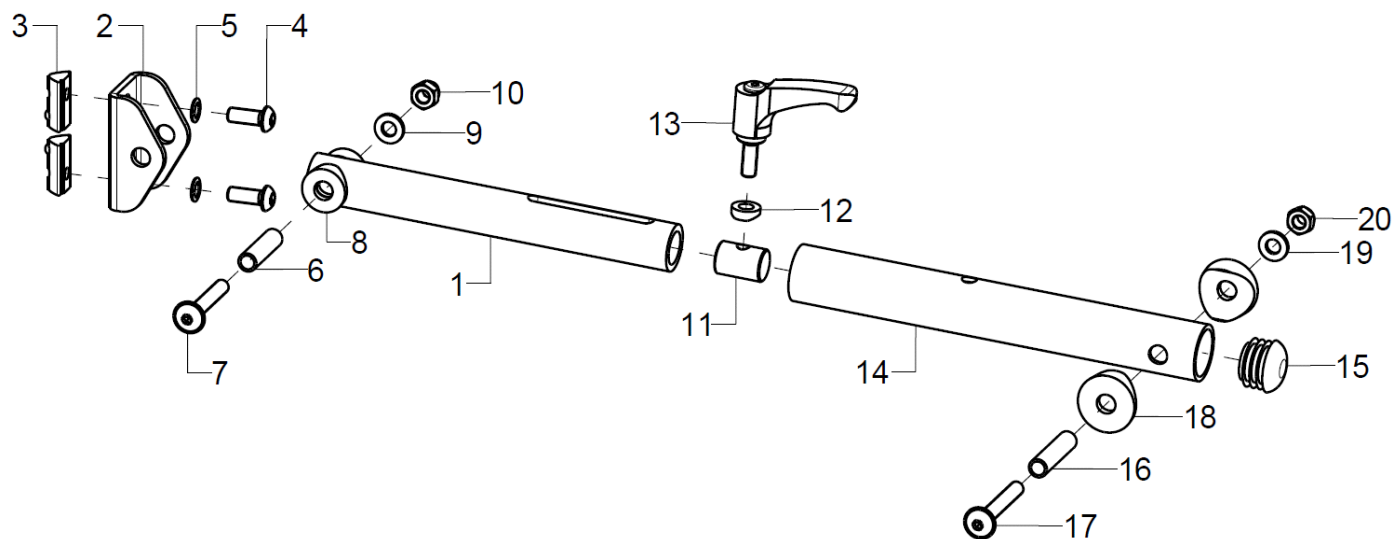
pcs.	Q/1	item no.	Product name:	Variant:	drawing no.
1+3-5	1				59.59.03.00.02.59
2-5	1				59.59.03.00.01.59
3	3		plug half sphere $\varnothing 30$		04.63.10.30.01.10
4	1				01.24.08.53.05.00
5	1		lock washer S6		02.99.10.60.01.10
6-10	1				59.59.06.01.03.59
o.B.	1				59.59.05.04.00.59
7	4		lens head screw with hexagon socket ISO 7380 - M6x40		01.42.08.60.65.00
8	4		saddle washer $\varnothing 12/6 \times 2,5$		35.04.16.01.00.10
9	4		washer DIN 125 - A 6,4		02.61.06.41.41.20
10	4		hexagon nut self-locking low form DIN 985 - M6		02.32.00.60.01.20
11-15	1				59.59.03.11.01.59
12	2		lens head screw with hexagon socket ISO 7380 - M6x35		01.42.08.59.65.00
13	2		saddle washer $\varnothing 12/6 \times 2,5$		35.04.16.01.00.10
14	2		washer DIN 125 - A 6,4		02.61.06.41.41.20
15	2		hexagon nut self-locking low form DIN 985 - M6		02.32.00.60.01.20
16+7-10	1				59.59.06.01.03.59
o.B.	4				59.59.03.12.00.59

Centre column



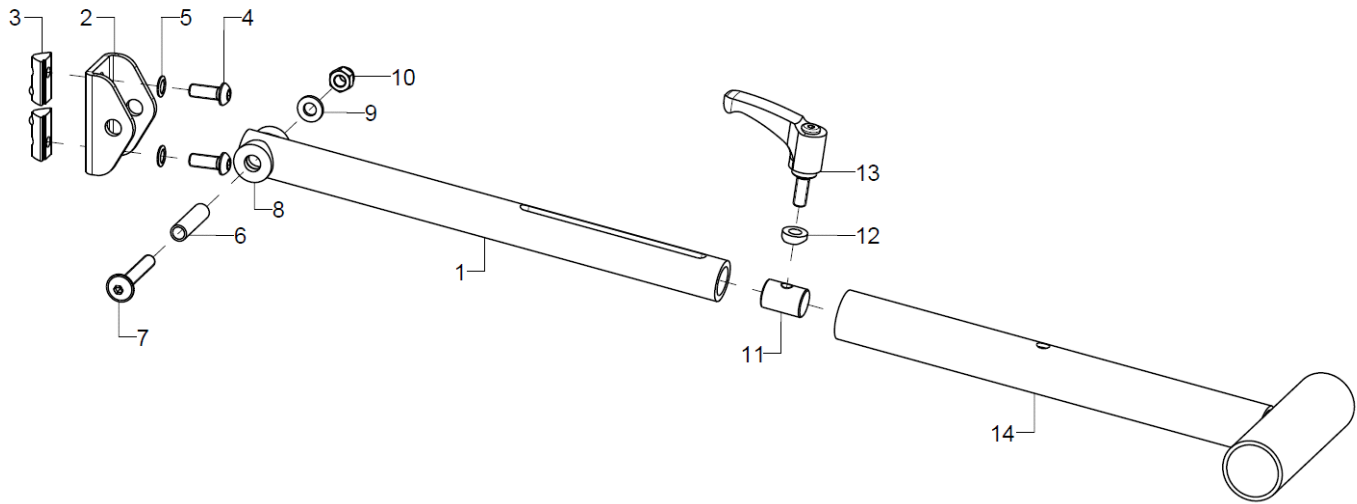
pcs.	Q/1	item no.	Product name:	Variant:	drawing no.
1-6	1	57021001			57.02.10.01.00.59
o.B.	1	57021002			57.02.10.02.00.59
o.B.	1	57021003			57.02.10.03.00.59
2	2				01.67.08.47.65.00
3	1				01.24.08.60.05.00
4	1		hexagon cap nut low form with clamp DIN 986 - M6		02.33.00.60.11.20
5+6	1	57020601			57.02.06.01.00.59
6	2				01.24.07.90.62.40
7-11	1	57020202			57.02.02.01.00.59
altern.	1	57020101			57.02.01.01.00.59
8	2		lens head screw with hexagon socket ISO 7380 - M6x55		01.42.08.63.65.00
9	2				57.02.05.05.00.59
10	2		fitted washer DIN 988 - 6x12x0,5 - A2		02.68.06.00.50.30
11	2		hexagon cap nut low form with clamp DIN 986 - M6		02.33.00.60.11.20

Telescopic tilt adjustment Frame size 1 + 2



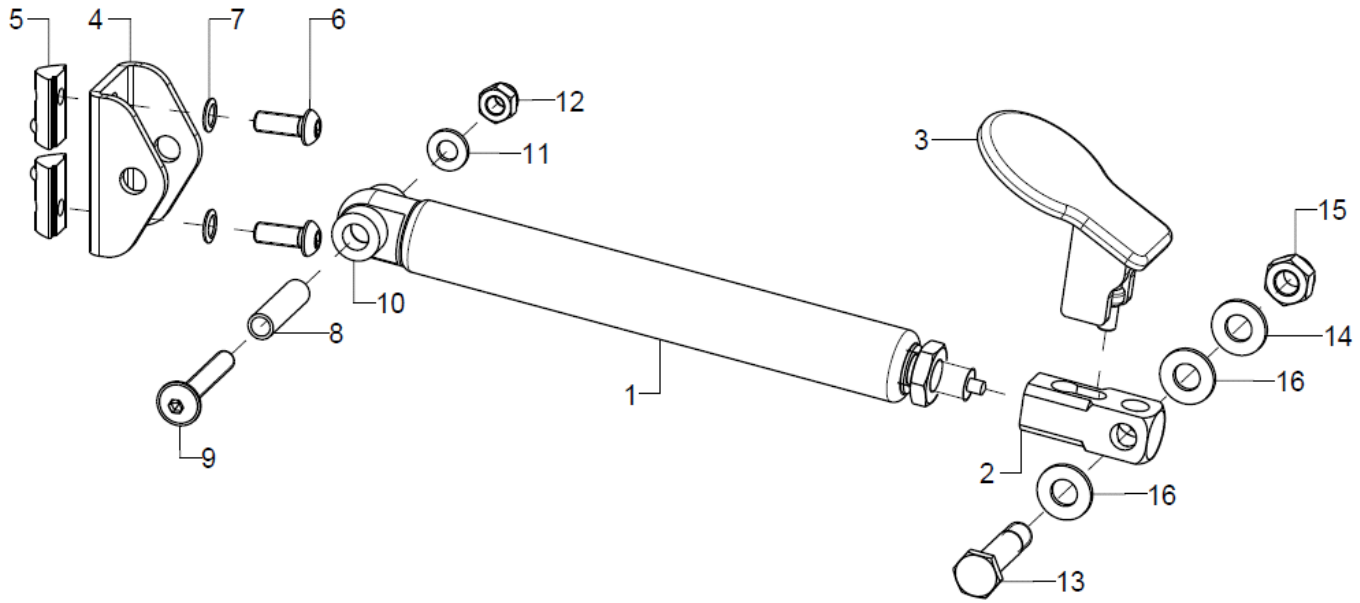
pcs.	Q/1	item no.	Product name:	Variant:	drawing no.
1-20	1	57030201			
o.B.	1	57030202			
1	1	57031001			57.03.02.03.01.59
o.B.	1	57031002			57.03.02.03.02.59
2-10	1	57020301			57.02.03.01.00.59
3	2				04.15.02.06.00.10
4	2		lens head screw with hexagon socket ISO 7380 - M6x16		01.42.08.52.65.00
5	2		lock washer S6		02.99.10.60.01.10
6	1				19.08.01.01.00.69
7	1				01.43.08.60.65.00
8	2				57.03.02.04.00.59
9	1		washer DIN 125 - A 6,4		02.61.06.41.41.20
10	1		hexagon nut self-locking low form DIN 985 - M6		02.32.00.60.01.20
11-13	1	57020501			57.02.05.01.00.59
12	1		saddle washer $\varnothing 12/6 \times 2,5$		35.04.16.01.00.10
13	1		clamp lever adjustable M6x16, black		04.13.10.60.16.50
14-20	1	57030210			57.03.02.01.00.59
15	1		plugs for tube $\varnothing 22 \times 1-2$, black		04.63.10.22.00.10
16	1				57.02.05.04.00.59
17	1		lens head screw with hexagon socket M6x45		01.43.08.61.05.00
18	2		saddle washer black $\varnothing 24/8$		04.63.39.24.08.30
19	1		washer DIN 125 - A 6,4		02.61.06.41.41.20
20	1		hexagon nut self-locking low form DIN 985 - M6		02.32.00.60.01.20

Telescopic tilt adjustment Frame size 3



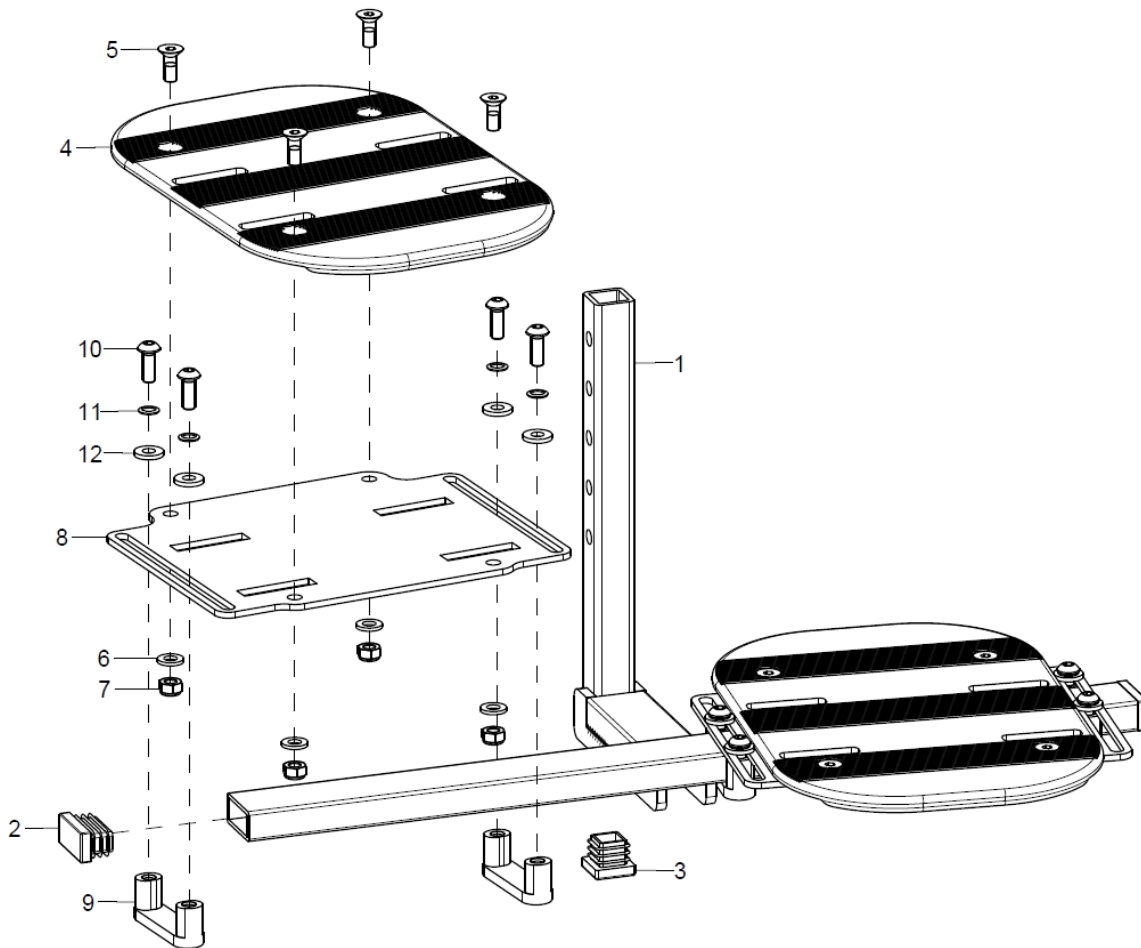
pcs.	Q/1	item no.	Product name:	Variant:	drawing no.
1-14	1	57030203			
1	1	57031003			57.03.02.03.03.59
2-10	1	57020301			57.02.03.01.00.59
3	2				04.15.02.06.00.10
4	2		lens head screw with hexagon socket ISO 7380 - M6x16		01.42.08.52.65.00
5	2		lock washer S6		02.99.10.60.01.10
6	1				19.08.01.01.00.69
7	1				01.43.08.60.65.00
8	2				57.03.02.04.00.59
9	1		washer DIN 125 - A 6,4		02.61.06.41.41.20
10	1		hexagon nut self-locking low form DIN 985 - M6		02.32.00.60.01.20
11-13	1	57020501			57.02.05.01.00.59
12	1		saddle washer Ø12/6x2,5		35.04.16.01.00.10
13	1		clamp lever adjustable M6x16, black		04.13.10.60.16.50
14	1	57030211			57.03.02.02.00.59

Gas spring tilt adjustment



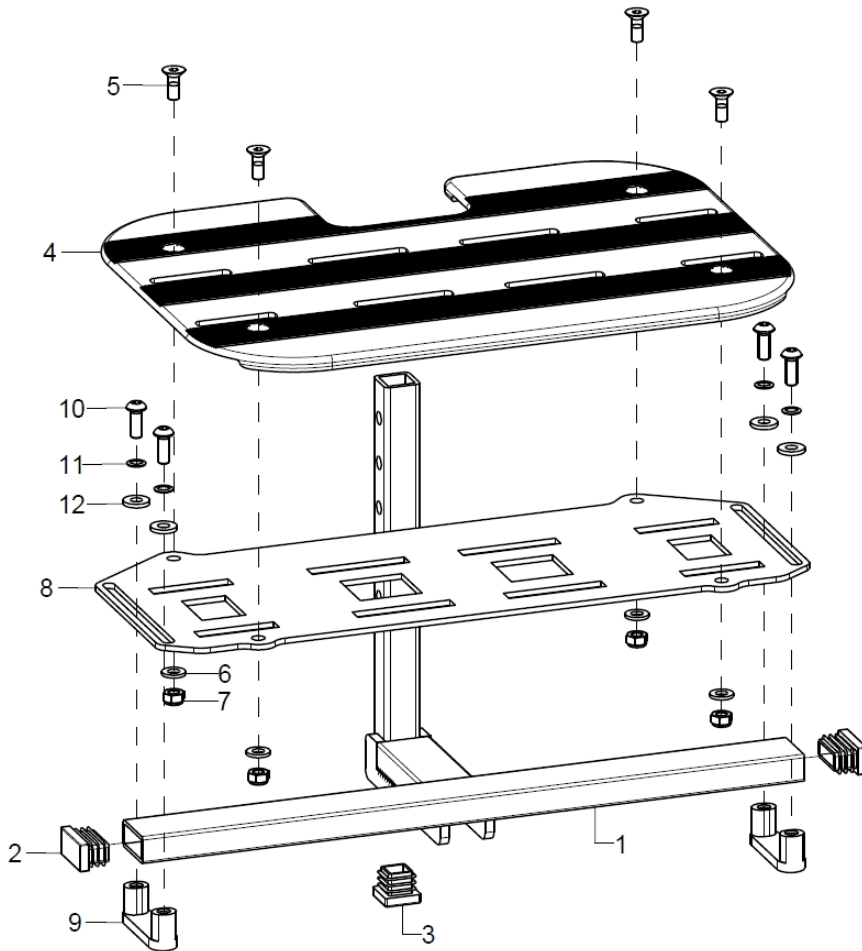
pcs.	Q/1	item no.	Product name:	Variant:	drawing no.
1-2	1	57020401			04.27.48.00.72.80
altern.	1	57020402			04.27.61.01.02.80
altern.	1	57020403			04.27.76.01.02.80
2	1				57.02.07.04.00.59
3	1	57020405			57.02.07.00.00.59
4-12	1	57020301			57.02.03.01.00.59
5	2				04.15.02.06.00.10
6	2		lens head screw with hexagon socket ISO 7380 - M6x16		01.42.08.52.65.00
7	2		lock washer S6		02.99.10.60.01.10
8	1				19.08.01.01.00.69
9	1				01.43.08.60.65.00
10	2				57.02.05.02.00.59
11	1		washer DIN 125 - A 6,4		02.61.06.41.41.20
12	1		hexagon cap nut low form with clamp DIN 986 - M6		02.33.00.60.11.20
13-16	1	190503	fitted bolt M8x35 SW13		19.05.03.10.00.28
14	1		washer DIN 125 - A 8,4		02.61.08.41.41.20
15	1		hexagon nut self-locking low form DIN 985 - M8		02.32.00.80.01.20
16	1		washer DIN 125 - A 8,4 - PA black		02.61.08.41.61.71

Foot plate divided Standard



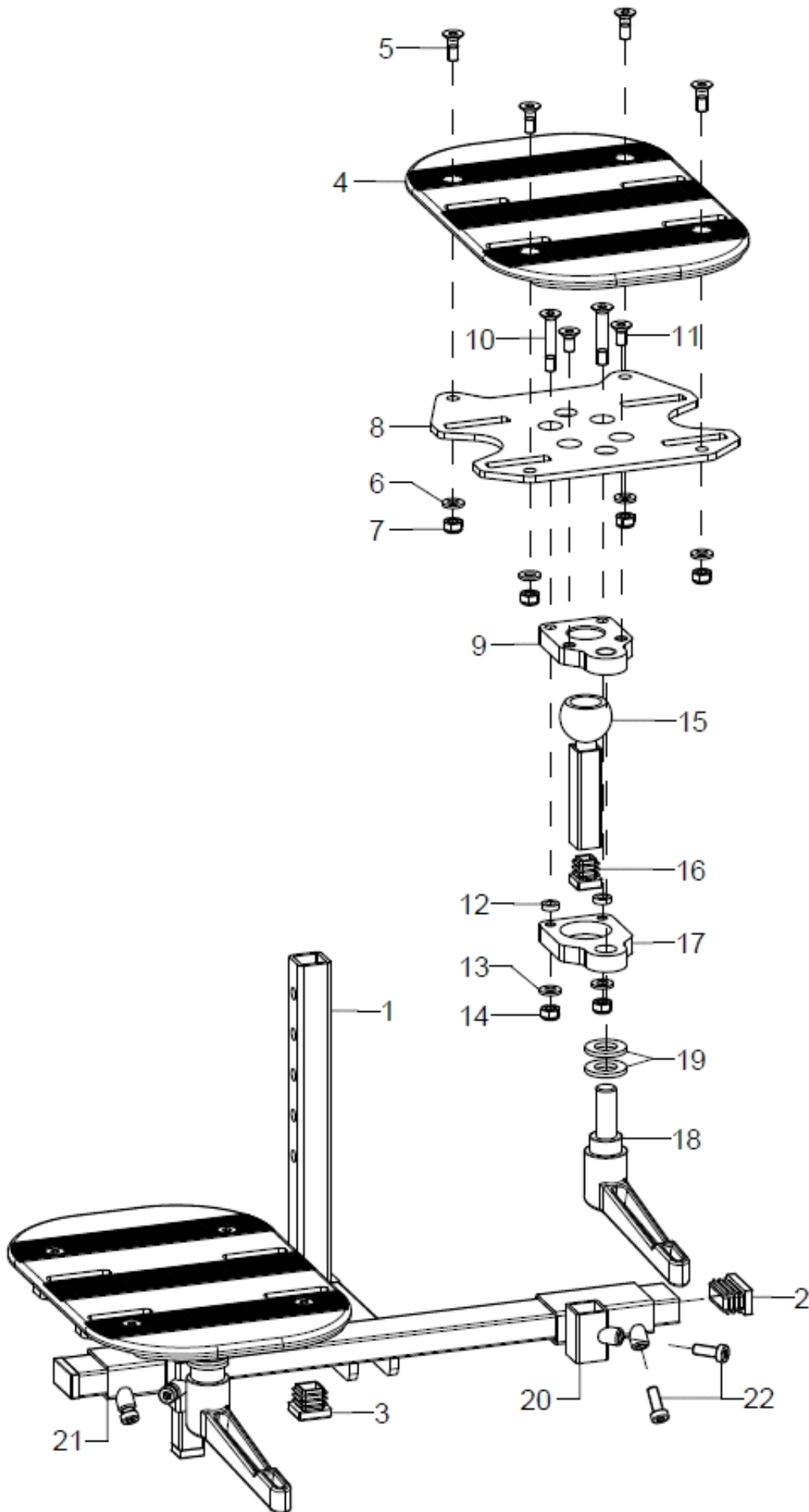
pcs.	Q/1	item no.	Product name:	Variant:	drawing no.
1-3	1	40842001			40.84.20.00.00.59
2	2				04.63.12.30.15.10
3	1		plugs 20x20		04.63.11.20.00.10
4-7	2	40841001			
5	4		counter sunk screw with hexagon socket DIN 7991 M6x16		01.65.08.52.02.40
6	4		washer DIN 125 - A 6,4		02.61.06.41.41.20
7	4		hexagon nut self-locking low form DIN 985 - M6		02.32.00.60.01.20
8-12	2	40841002			40.84.05.04.00.59
9	4				40.84.11.01.00.59
10	4		lens head screw with hexagon socket ISO 7380 - M6x16		01.42.08.52.65.00
11	4		lock washer S6		02.99.10.60.01.10
12	4		washer reinforced $\varnothing 14/6,2 \times 2$		58.30.15.01.00.24

Foot plate undivided Standard



pcs.	Q/1	item no.	Product name:	Variant:	drawing no.
1-3	1	40842001			40.84.20.00.00.59
2	2				04.63.12.30.15.10
3	1		plugs 20x20		04.63.11.20.00.10
4-7	1	40860401			40.86.04.00.00.59
5	4		counter sunk screw with hexagon socket DIN 7991 M6x16		01.65.08.52.02.40
6	4		washer DIN 125 - A 6,4		02.61.06.41.41.20
7	4		hexagon nut self-locking low form DIN 985 - M6		02.32.00.60.01.20
8-12	1	40860402			40.86.03.00.00.59
9	2				40.84.11.01.00.59
10	4		lens head screw with hexagon socket ISO 7380 - M6x16		01.42.08.52.65.00
11	4		lock washer S6		02.99.10.60.01.10
12	4		washer reinforced $\varnothing 14/6,2 \times 2$		58.30.15.01.00.24

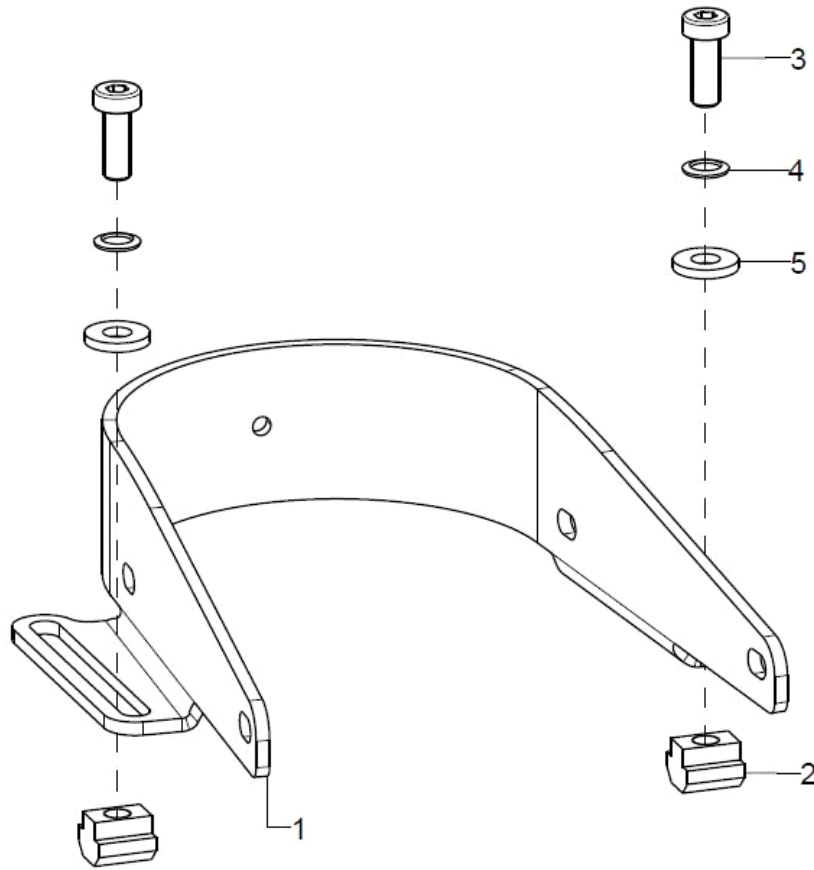
Foot plate with 3D-adjustment





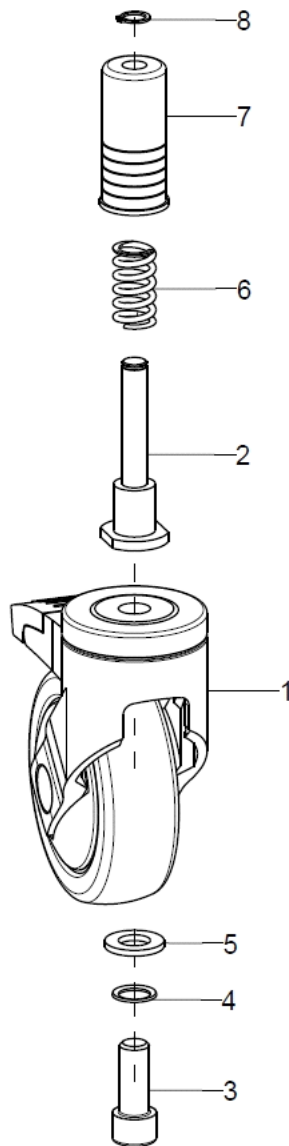
pcs.	Q/1	item no.	Product name:	Variant:	drawing no.
1-3	1	40842001			40.84.20.00.00.59
2	2				04.63.12.30.15.10
3	1		plugs 20x20		04.63.11.20.00.10
4- 20+22	1	40850001			
4- 19+21 +22	1	40850002			
4-7	2				40.84.10.02.00.59
5	4		counter sunk screw with hexagon socket DIN 7991 M6x16		01.65.08.52.02.40
6	4		washer DIN 125 - A 6,4		02.61.06.41.41.20
7	4		hexagon nut self-locking low form DIN 985 - M6		02.32.00.60.01.20
8	2				40.85.02.08.00.59
9-14	2				40.85.02.04.00.59
10	2		counter sunk screw with hexagon socket DIN 7991 M6x35		01.65.08.59.05.00
11	2		counter sunk screw with hexagon socket DIN 7991 M6x12		01.65.08.49.02.40
12	2				57.02.60.03.00.60
13	2		washer DIN 125 - A 6,4		02.61.06.41.41.20
14	2		hexagon nut self-locking low form DIN 985 - M6		02.32.00.60.01.20
15+16	2				40.85.02.03.00.59
16	1		plugs for square tubes, black 15x15		04.63.11.15.00.10
17	1				40.85.02.05.00.59
18-19	2				04.13.11.20.30.10
19	2				02.61.13.02.31.20
20	1				40.85.02.02.01.59
21	1				40.85.02.02.02.59
22	2		cylinder screw, low head DIN 7984-M6x16		01.24.08.52.05.00

Foot shells



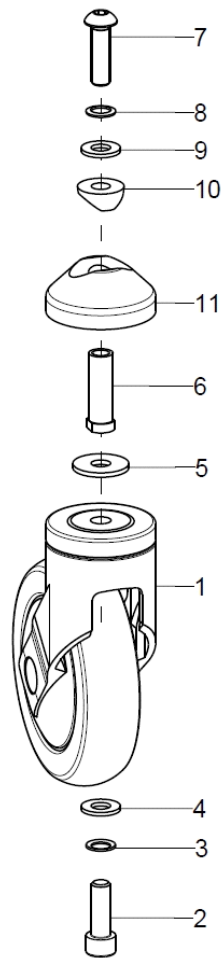
pcs.	Q/1	item no.	Product name:	Variant:	drawing no.
1-5	2	40200701			40.20.07.01.00.59
altern.	2	40200702			40.20.07.02.00.59
altern.	2	40200703			40.20.07.03.00.59
2	2				02.06.06.06.08.10
3	2		cylinder screw, low head DIN 7984-M6x16		01.24.08.52.05.00
4	2		lock washer S6		02.99.10.60.01.10
5	2		washer reinforced $\varnothing 14/6,2 \times 2$		58.30.15.01.00.24
o.B.	2	40201501			
altern.	2	40201502			
altern.	2	40201503			

Rear caster wheels



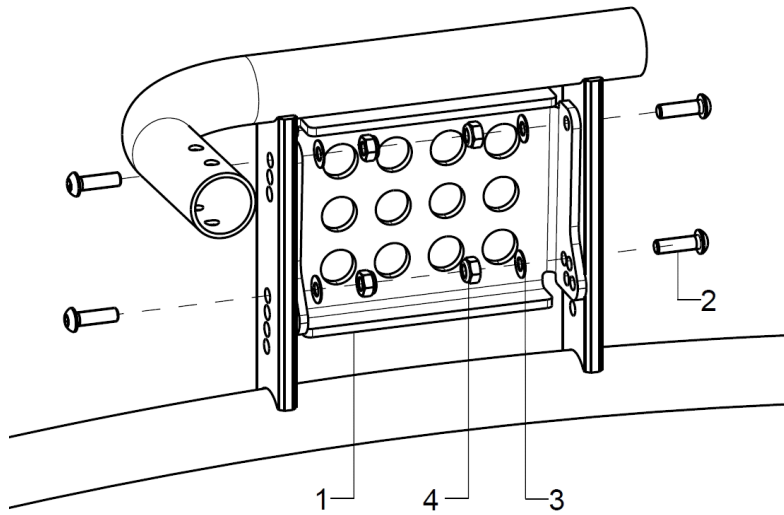
pcs.	Q/1	item no.	Product name:	Variant:	drawing no.
1-8	2	28590200			
1	1				04.52.61.04.00.10
2-8	1	28590208			
2	1				28.59.02.03.00.59
3	1				01.22.12.78.02.40
4	1				02.99.11.20.01.10
5	1				02.61.13.02.31.20
6	1				04.21.12.50.35.00
altern.	1				04.21.12.70.33.00
altern.	1				04.21.12.90.32.00
7	1				28.59.02.02.00.59
8	1		lock ring 10, DIN 471		03.01.01.00.93.00

Front stabilizer wheel



pcs.	Q/1	item no.	Product name:	Variant:	drawing no.
1-11	1				
1-9	2				
1	1				04.52.61.05.00.10
2-11	1				
2-9	1				
2	1				01.22.10.98.02.40
3	1		lock washer S10		02.99.11.00.01.10
4	1		washer DIN 125 - A 10,5		02.61.10.51.81.20
5	1				02.79.10.51.60.20
6	1				28.59.02.04.00.59
7	1				01.42.10.99.65.00
altern.	1				01.22.10.98.02.40
8	1		lock washer S10		02.99.11.00.01.10
9	1		washer DIN 125 - A 10,5		02.61.10.51.81.20
10	1				28.03.01.03.00.67
11	1				28.59.02.01.00.59

Wheel attachment



pcs.	Q/1	item no.	Product name:	Variant:	drawing no.
1-4	2				20.15.59.01.01.59
2	4		lens head screw with hexagon socket ISO 7380 - M6x20		01.42.08.54.05.00
3	4		fitted washer DIN 988 - 6x12x0,5 - A2		02.68.06.00.50.30
4	4		hexagon cap nut low form with clamp DIN 986 - M6		02.33.00.60.11.20

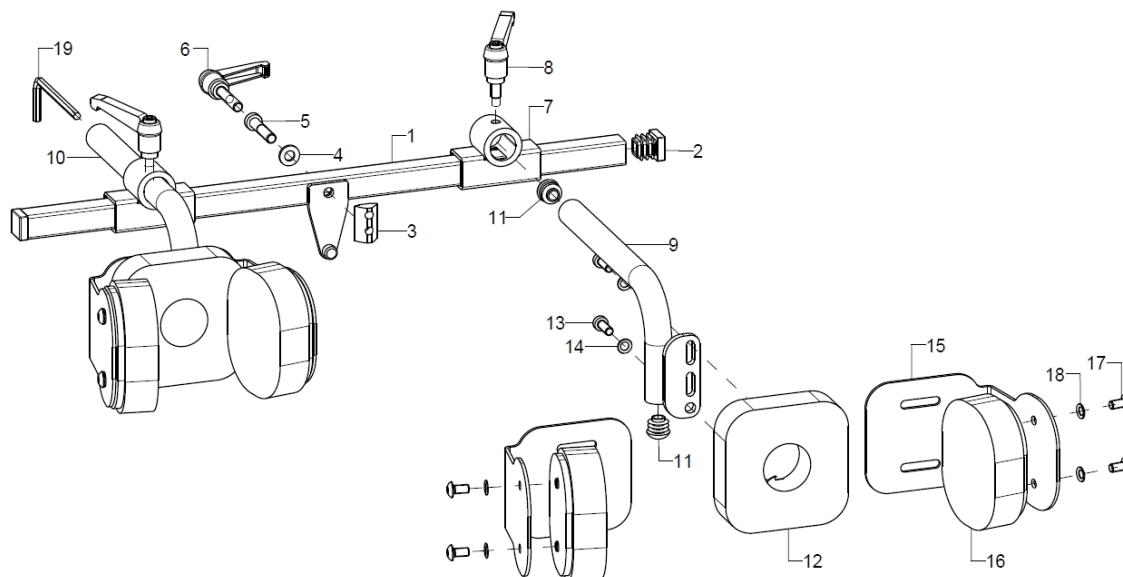
Wheels, tyres, hand rim covers and spoke covers

pcs.	Q/1	item no.	Product name:	Variant:	drawing no.
o.B.	2	222440	24" profile wheel with built-in hand rim with drum brake		
o.B.	2	222640			
o.B.	2	242840			
o.B.	2	243040			
o.B.	2	243240			
o.B.	2	243640			
o.B.	2	232411	puncture proof tires 24x1"		04.61.22.40.10.10
o.B.	2	232611			
o.B.	2	232811			
o.B.	2	233011			
o.B.	2	233211			
o.B.	2	233611			
o.B.	2	322402	handrim cover silicone black ø532		04.67.06.24.00.30
o.B.	2	322602			04.67.06.26.00.10
o.B.	2	372801			04.67.06.28.00.10
o.B.	2	373001			
o.B.	2	373201			04.67.06.32.00.10
o.B.	2	373601			04.67.06.36.00.10
o.B.	2	322401	handrim cover profile wheel, Ergo 24"		
o.B.	2	322601			
o.B.	2	3628			
o.B.	2	3630			
o.B.	2	3632			
o.B.	2	3636			
o.B.	2	252400	spoke cover 24", Unicolor transparent		
o.B.	2	252600			
o.B.	2	252800			
o.B.	2	253000			
o.B.	2	253200			
o.B.	2	253600			

Design-Dekor-Speichenschützer (nur 24 + 26") können Sie unter den folgenden Internetadressen wählen:

www.blueprince.de
www.speichen-schutz.de
www.wheelchairgadgets.com

Knee truss pad Standard (knee-wide 4,5-7,5cm)

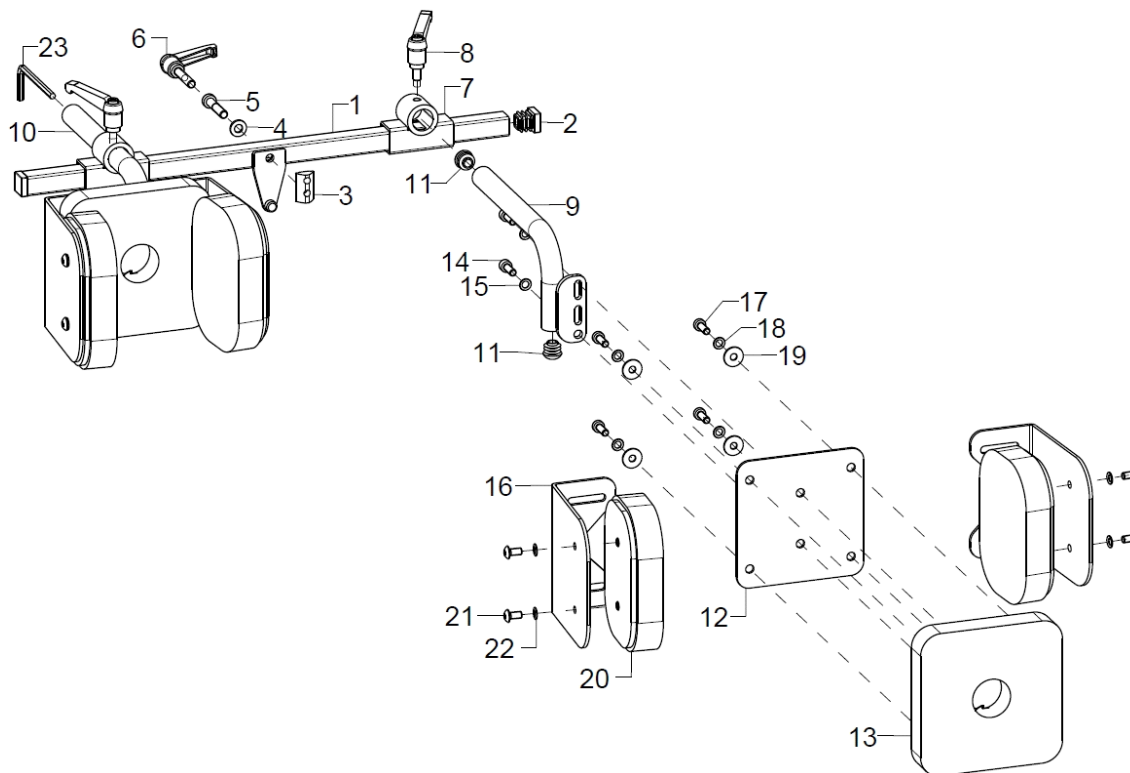


pcs.	Q/1	item no.	Product name:	Variant:	drawing no.
1-5(6)	1	68360210			68.36.02.01.00.59
altern.	1	68360211			68.36.02.01.02.59
altern.	1	68360212			68.36.02.01.03.59
2	2		plugs for square tubes, black 15x15		04.63.11.15.00.10
3	1				04.15.02.06.00.10
4	1		washer DIN 125 - A 6,4		02.61.06.41.41.20
5	1				01.24.08.58.05.00
6	1	68360303			04.13.10.60.30.52
Option					
7-9+11-18	1	68360101			
7+8+10-18	1	68360102			
7+8	2	68360301			68.36.03.01.00.59
8	1				04.13.10.60.10.50
9+11	1	68360402			68.36.04.01.02.59
10+11	1	68360401			68.36.04.01.01.59
11	2		plugs for tube $\varnothing 14 \times 1-2$		04.63.10.14.00.10
12-14	2	68361101			68.36.05.09.00.59
13	2				01.24.07.90.62.40
14	2		lock washer S5		02.99.10.50.01.10
15	4	68360501			68.35.01.21.00.67
16-18	4	68361102			68.36.05.10.00.59
17	2				01.42.07.88.65.00
18	2		lock washer S5		02.99.10.50.01.10
19	1				06.14.00.10.04.00
o.B.	1				
o.B.	1				

Schwarz (..90)
 Feuerrot (..92)
 Violett (..93)
 Türkis (..94)

Taubenblau (..95)
 Limone (..96)
 Grün (..97)

Knee truss pad Standard (knee-wide 6-11cm)



pcs.	Q/1	item no.	Product name:	Variant:	drawing no.
1-5(6)	1	68360210			68.36.02.01.00.59
altern.	1	68360211			68.36.02.01.02.59
altern.	1	68360212			68.36.02.01.03.59
2	2		plugs for square tubes, black 15x15		04.63.11.15.00.10
3	1				04.15.02.06.00.10
4	1		washer DIN 125 - A 6,4		02.61.06.41.41.20
5	1				01.24.08.58.05.00
6	1	68360303			04.13.10.60.30.52
Option					
7-9+11-22	1	68360201			
7+8+10-22	1	68360202			
7+8	2	68360301			68.36.03.01.00.59
8	1				04.13.10.60.10.50
9+11	1	68360402			68.36.04.01.02.59
10+11	1	68360401			68.36.04.01.01.59
11	2		plugs for tube Ø14x1-2		04.63.10.14.00.10
12	2	68350502			68.36.05.01.00.59
13-15	2	68361201			68.36.05.03.00.59
14	2				01.24.07.90.62.40
15	2		lock washer S6		02.99.10.60.01.10
16-19	4				68.35.04.01.00.51
17	2				01.24.07.90.62.40
18	2		lock washer S5		02.99.10.50.01.10
19	2		washer DIN 9021 - M5		02.79.05.31.20.20
20-22	4	68361202			68.36.05.11.00.59
21	2				01.42.07.88.65.00



22	2	lock washer S5	02.99.10.50.01.10
23	1		06.14.00.10.04.00

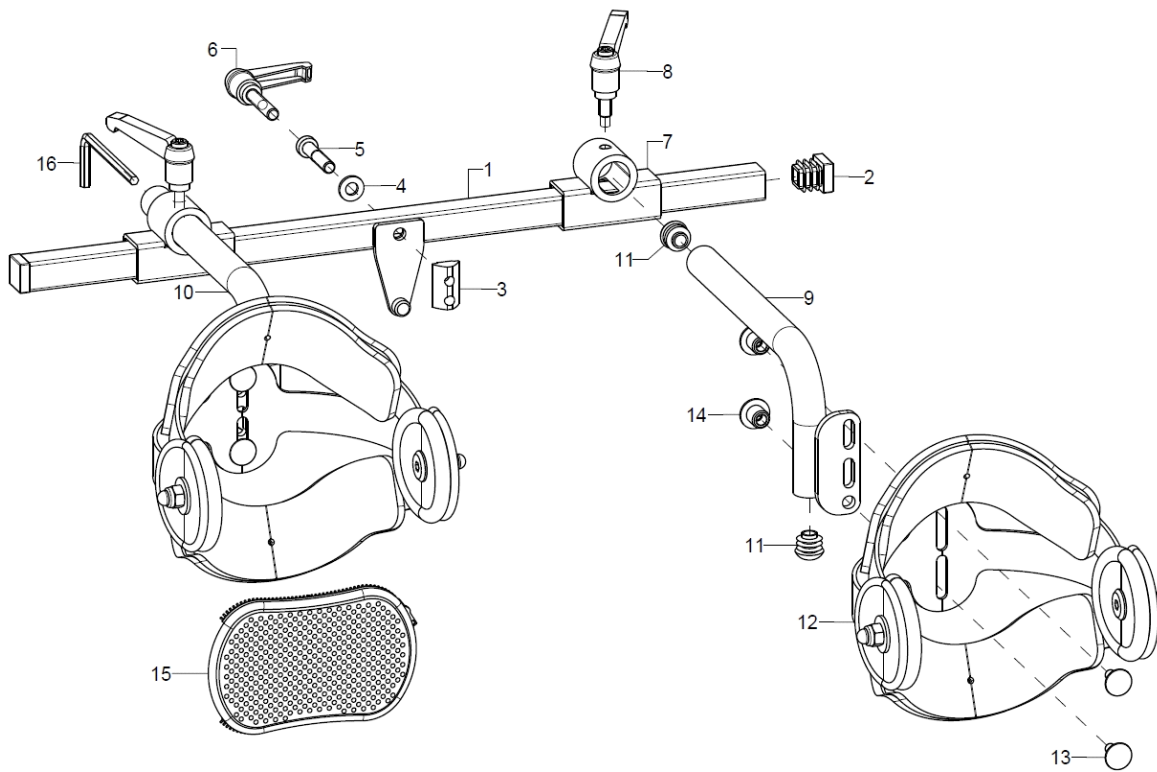
o.B. 2

o.B. 4

Schwarz (..90)
Feuerrot (..92)
Violett (..93)
Türkis (..94)

Taubenblau (..95)
Limone (..96)
Grün (..97)

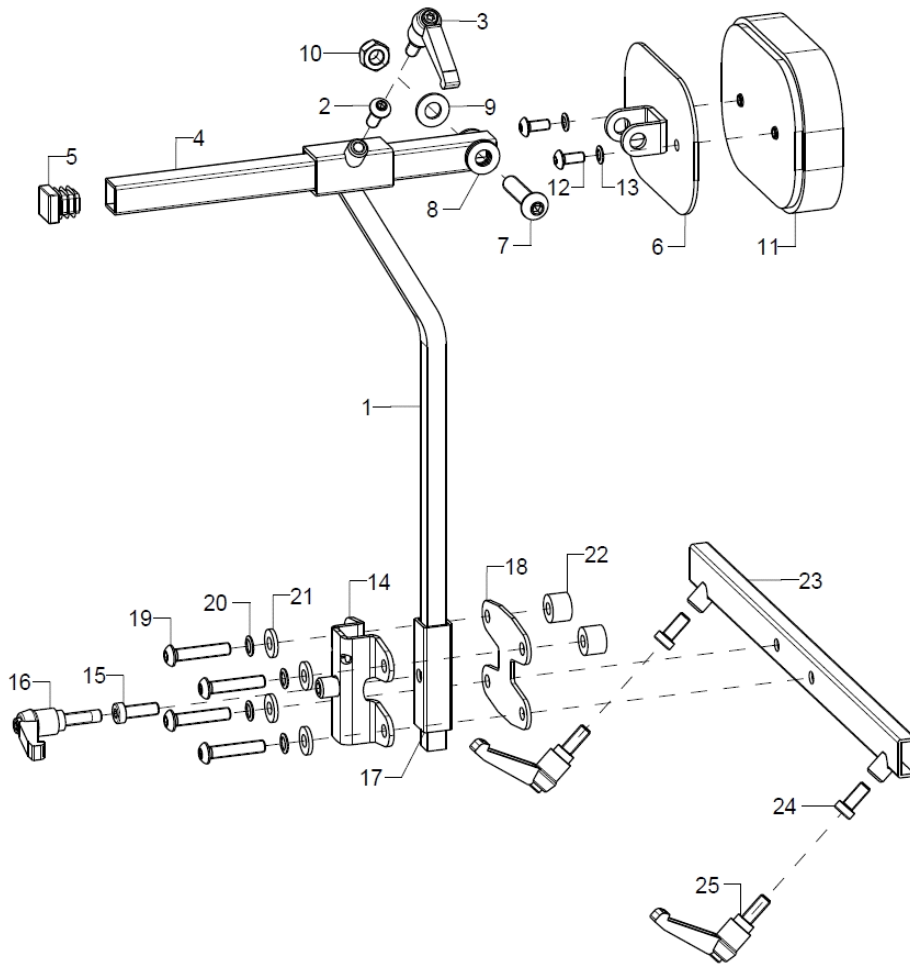
Knee truss pad with resting brackets



pcs.	Q/1	item no.	Product name:	Variant:	drawing no.
1-5(6)	1				68.36.02.01.00.59
altern.	1				68.36.02.01.02.59
altern.	1				68.36.02.01.03.59
2	2		plugs for square tubes, black 15x15		04.63.11.15.00.10
3	1				04.15.02.06.00.10
4	1		washer DIN 125 - A 6,4		02.61.06.41.41.20
5	1				01.24.08.58.05.00
6	1				04.13.10.60.30.52
Option					
7-					
9+11-					
15					
7+8+1					
0-16					
7+8	2				68.36.03.01.00.59
8	1				04.13.10.60.30.52
9+11	1				68.36.04.01.02.59
10+11	1				68.36.04.01.01.59
11	2		plugs for tube Ø14x1-2		04.63.10.14.00.10
12-14	2				68.36.01.99.01.59
altern.	2				68.36.01.99.02.59
altern.	2				68.36.01.99.03.59
13	2		round-head screw DIN 6003 M5x12		01.11.07.89.00.40
14	2				02.46.20.78.85.10
15	4				68.36.01.12.01.59
altern.	4				68.36.01.12.02.59
altern.	4				68.36.01.12.03.59
16	1				06.14.00.10.04.00

Back truss pad (only for frame sizes 1 + 2)

Only in combination with posterior truss pad and only for frame sizes 1 + 2.



pcs.	Q/1	item no.	Product name:	Variant:	drawing no.
1-	1				
13+15(16)					
1+2(3)	1				68.48.01.01.00.59
2	1		lens head screw with hexagon socket ISO 7380 - M6x16		01.42.08.52.65.00
3	1		clamp lever adjustable M6x16, black		04.13.10.60.16.50
Option					
4+5	1				68.48.01.02.00.59
5	1	401107	end plug 15x15 black, 4 piece set		04.63.11.15.00.10
6-10	1				68.65.03.01.00.51
7	1				01.42.09.79.65.00
8	3		washer DIN 125 - A 8,4 - PA black		02.61.08.41.61.71
9	1		washer DIN 125 - A 8,4		02.61.08.41.41.20
10	1		hexagon nut self-locking low form DIN 985 - M8		02.32.00.80.01.20
11-13	1	68361202			68.36.05.11.00.59
12	2				01.42.07.88.65.00
13	2		lock washer S5		02.99.10.50.01.10
14+15(16)	1				04.56.01.04.00.11
15	1				01.24.08.53.05.00
16	1	403110	clamp lever adjustable M6x20, black		04.13.10.60.20.50
Option					
17	1				68.48.02.01.00.59
18-22	1				04.56.01.04.00.09



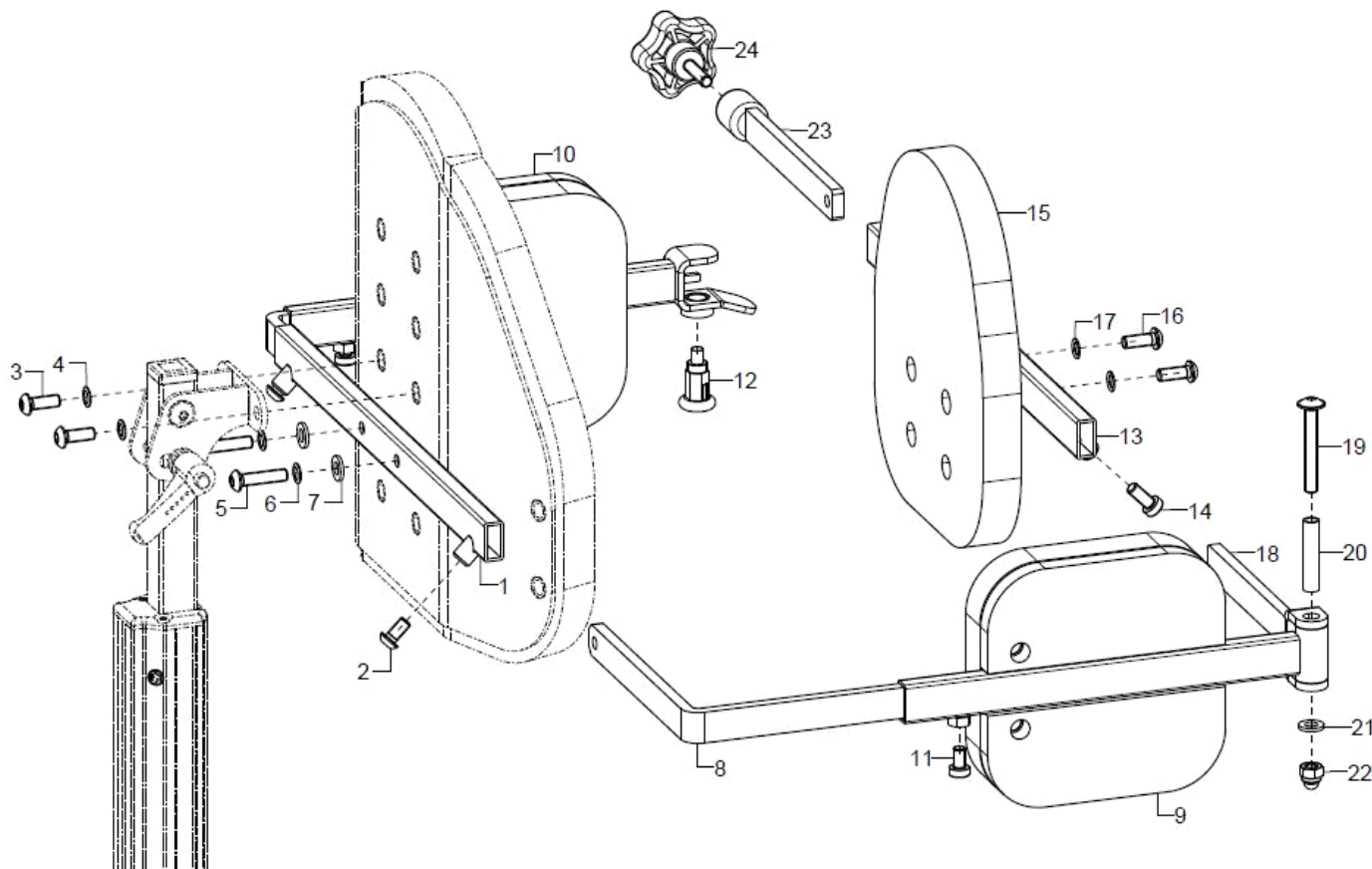
19	4	lens head screw with hexagon socket ISO 7380 - M6x30	01.42.08.58.65.00
20	4	lock washer S6	02.99.10.60.01.10
21	4	washer reinforced Ø14/6,2x2	58.30.15.01.00.24
22	2	35310209	45.31.01.03.00.72
23+24(1		68.43.03.01.01.59
25)			
altern.	1		68.43.03.01.02.59
24	2		01.24.08.48.05.00
25	1	clamp lever adjustable M6x16, black	04.13.10.60.16.50
Option			

o.B. 1

Schwarz (..90)
Feuerrot (..92)
Violett (..93)
Türkis (..94)

Taubenblau (..95)
Limone (..96)
Grün (..97)

Back pad with swivel bracket frame

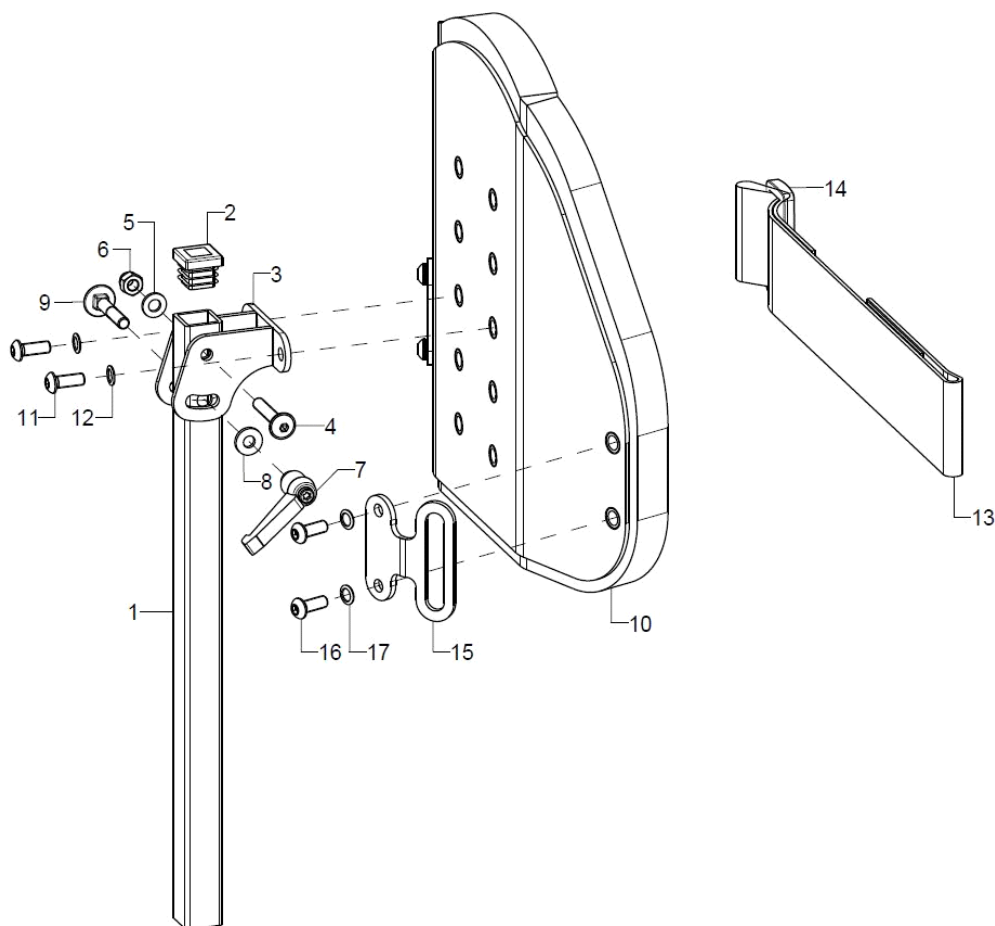


pcs.	Q/1	item no.	Product name:	Variant:	drawing no.
1-25	1	68480600			
1-7	1	68430301			68.43.03.01.01.59
altern.	1	68430302			68.43.03.01.02.59
altern.	1	68430303			68.43.03.01.03.59
2	2		lens head screw with hexagon socket ISO 7380 - M6x12		01.42.08.49.65.00
3	2		lens head screw with hexagon socket ISO 7380 - M6x16		01.42.08.52.65.00
4	2		lock washer S6		02.99.10.60.01.10
5	2		lens head screw with hexagon socket ISO 7380 - M6x25		01.42.08.56.65.00
6	2		lock washer S6		02.99.10.60.01.10
7	2		washer DIN 125 - A 6,4		02.61.06.41.41.20
8	2	68430401			68.43.03.03.01.59
altern.	2	68430402			68.43.03.03.02.59
altern.	2	68430403			68.43.03.03.03.59
9+11	1	68480101			68.48.05.01.01.59
altern.	1	68480201			68.48.05.01.02.59
10-12	1	68480102			68.48.05.02.01.59
altern.	1	68480202			68.48.05.02.02.59
11	1				01.24.08.48.62.40
12	1		latch \varnothing 6/M10x1x31 with lock		04.14.43.60.02.00
13+14	1	68420801			68.42.08.00.01.59
altern.	1	68420802			68.42.08.00.02.59
altern.	1	68420803			68.42.08.00.03.59
14	2				01.24.08.48.05.00



15-17	1	68480300		68.48.05.05.01.59
altern.	1	68480400		68.48.05.05.02.59
16	2		lens head screw with hexagon socket ISO 7380 - M6x16	01.42.08.52.65.00
17	2		lock washer S6	02.99.10.60.01.10
18-22	1	68420401		68.42.04.00.01.59
altern.	1	68420402		68.42.04.00.02.59
19	1		lens head screw with hexagon socket ISO 7380 - M6x45	01.42.08.61.65.00
20	1			57.02.05.04.00.59
21	1		washer DIN 125 - A 6,4	02.61.06.41.41.20
22	1		hexagon nut self-locking low form DIN 985 - M6	02.32.00.60.01.20
23+24	1	68420201		68.42.02.00.01.59
altern.	1	68420202		68.42.02.00.02.59
24	1			04.05.47.24.25.30
o.Abb.	1	68480301		
altern.	1	68480401		

Chest truss pad



pcs.	Q/1	item no.	Product name:	Variant:	drawing no.
1+2	1				68.31.03.02.00.59
2	1		plugs 20x20		04.63.11.20.00.10
3-9	1				68.31.03.01.00.59
4	1		lens head screw with hexagon socket M6x35		01.43.08.59.65.00
5	1		washer DIN 125 - A 6,4		02.61.06.41.41.20
6	1		hexagon nut self-locking low form DIN 985 - M6		02.32.00.60.01.20
7	1		clamp lever adjustable M6 internal thread, black		04.13.20.60.00.50
8	1		washer reinforced Ø14/6,2x2		58.30.15.01.00.24
9	1		round-head screw DIN 6003 M6x35		01.11.08.59.05.00
10-12	1	68310201			68.31.02.01.00.59
altern.	1	68310202			68.31.02.02.00.59
altern.	1	68310203			68.31.02.03.00.59
11	2		lens head screw with hexagon socket ISO 7380 - M6x16		01.42.08.52.65.00
12	2		lock washer S6		02.99.10.60.01.10
13+14	1				68.31.06.02.03.59
o.B.	1				68.31.06.02.00.59
o.B.	1				68.31.06.02.05.59
14	1				04.44.26.00.10.20
15-17	2				68.43.01.04.00.59
16	4		lens head screw with hexagon socket ISO 7380 - M6x16		01.42.08.52.65.00
17	5		lock washer S6		02.99.10.60.01.10
o.B.	1	68310204			



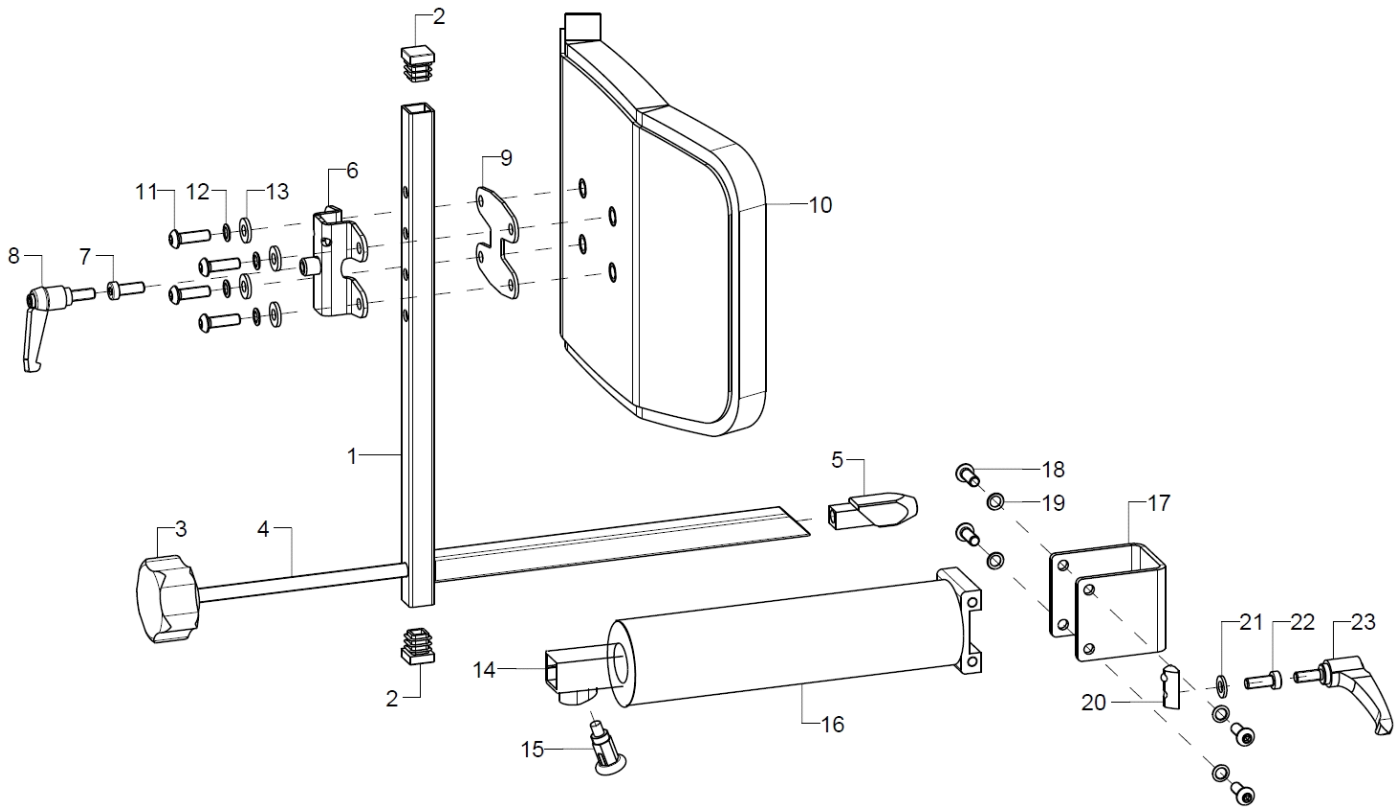
o.B. 1 68310205

o.B. 1 68310206

Schwarz (..90)
Feuerrot (..92)
Violett (..93)
Türkis (..94)

Taubenblau (..95)
Limone (..96)
Grün (..97)

Posterior truss pad



pcs.	Q/1	item no.	Product name:	Variant:	drawing no.
1-5	1	68420601			68.42.06.10.00.59
altern.	1	68420602			68.42.06.10.02.59
2	2		plugs for square tubes, black 15x15		04.63.11.15.00.10
3+4	1		5-star knob ø50 - M8 internal thread, black		04.05.35.34.00.40
4	1				68.42.06.13.01.59
altern.	1				68.42.06.13.02.59
5	1				68.42.06.06.00.59
6+7(8) +9	1	68420619			04.56.01.04.00.11
7	1		cylinder screw, low head DIN 7984-M6x16		01.24.08.52.05.00
8	1		clamp lever adjustable M6x16, black		04.13.10.60.16.50
Option					
9	1				04.56.01.04.00.09
10-13	1	68420505			68.42.06.02.00.59
altern.	1	68420506			68.42.06.03.00.59
altern.	1	68420507			68.42.06.04.00.59
11	4		lens head screw with hexagon socket ISO 7380 - M6x20		01.42.08.54.05.00
12	4		lock washer S6		02.99.10.60.01.10
13	4		washer reinforced ø14/6,2x2		58.30.15.01.00.24
14-16	1	68420501			68.42.05.01.01.59
altern.	1	68420502			68.42.05.01.02.59
15	1	690101	latch ø6/M10x1x31 with lock		04.14.43.60.02.00
16	1	68420614			68.42.06.14.00.59



altern.	1	68420615		68.42.06.14.02.59
17- 22(23)	1			68.42.01.03.00.59
18	4	lens head screw with hexagon socket ISO 7380 - M6x12		01.42.08.49.65.00
19	4	lock washer S6		02.99.10.60.01.10
20	1			04.15.02.06.00.10
21	1	washer DIN 125 - A 6,4		02.61.06.41.41.20
22	1	cylinder screw, low head DIN 7984-M6x16		01.24.08.52.05.00
23	1	clamp lever adjustable M6x16, black		04.13.10.60.16.50
Option				

o.B. 1

o.B. 1

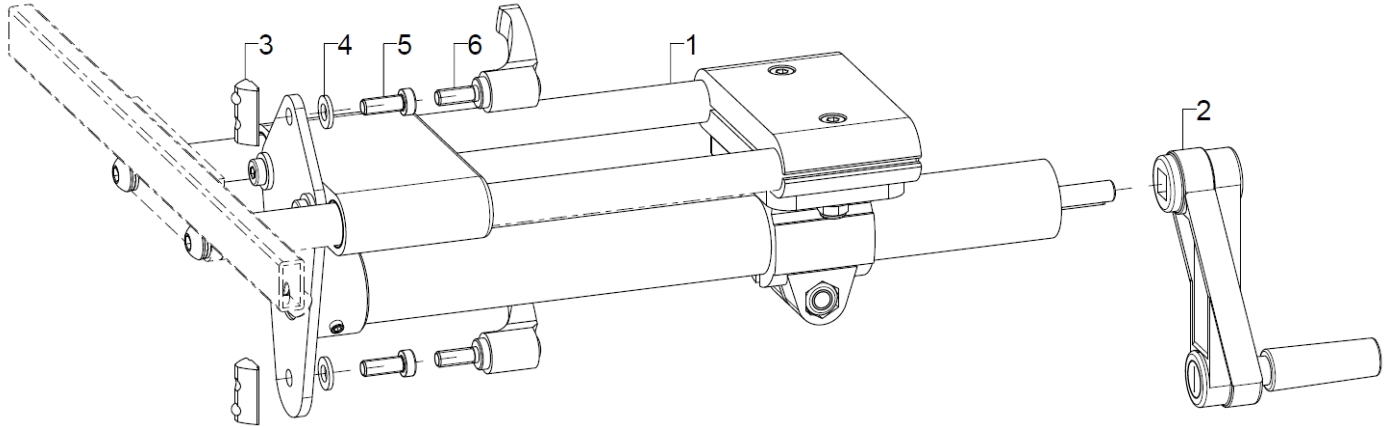
o.B. 1

Schwarz (..90)
Feuerrot (..92)
Violett (..93)
Türkis (..94)

Taubenblau (..95)
Limone (..96)
Grün (..97)

Posterior truss pad with crank (linear part)

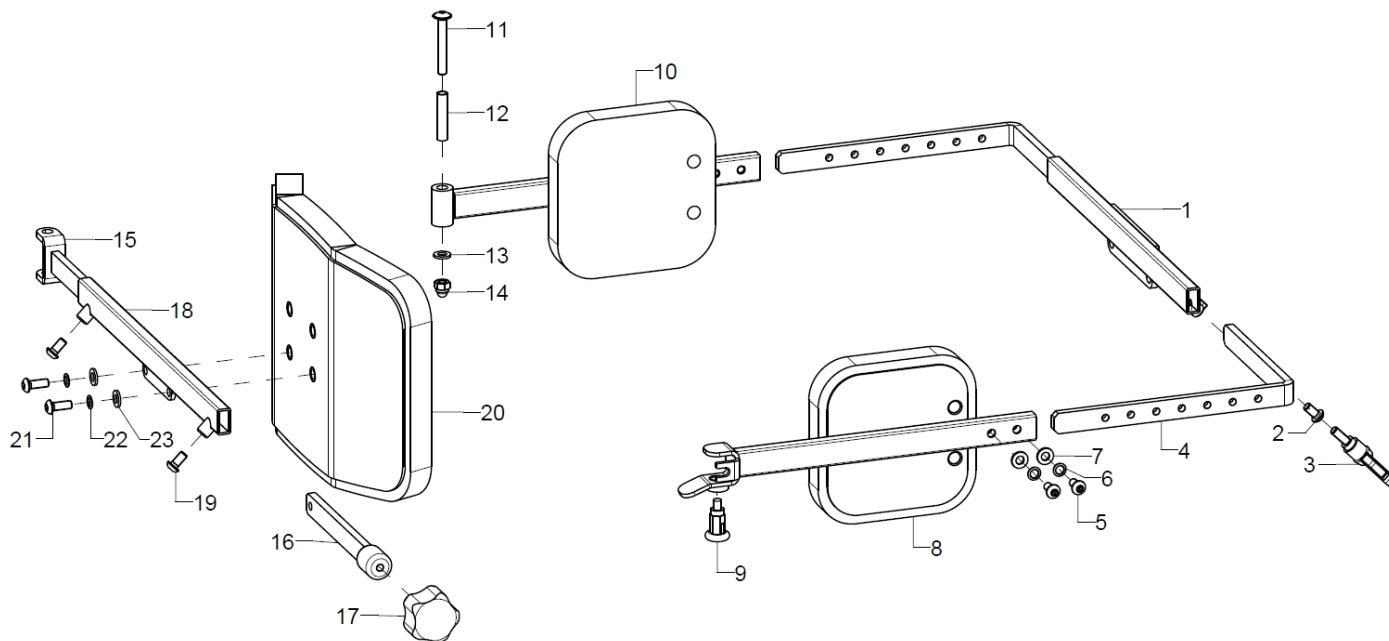
Not in combination with back truss pad and/or side pelvis truss pad



pcs.	Q/1	item no.	Product name:	Variant:	drawing no.
1-5(6)	1	68420113			
2	1				04.02.01.01.00.00
3-5(6)	2				04.15.02.06.00.10
4	1		washer DIN 125 - A 6,4		02.61.06.41.41.20
5	1		cylinder screw, low head DIN 7984-M6x16		01.24.08.52.05.00
6	1		clamp lever adjustable M6x16, black		04.13.10.60.16.50
Option					

Posterior truss pad with crank (truss pad part)

Not in combination with back truss pad and/or side pelvis truss pad



pcs.	Q/1	item no.	Product name:	Variant:	drawing no.
1-23	1	68422101			
altern.	1	68423201			
altern.	1	68424201			
1-2(3)	1	68420101			68.42.01.10.01.59
altern.	1	68420102			68.42.01.10.02.59
altern.	1	68420103			68.42.01.10.03.59
2	2				01.24.08.48.05.00
3	2		clamp lever adjustable M6x16, black		04.13.10.60.16.50
Option					
4-7	2	68420701			68.42.07.00.01.59
altern.	2	68420702			68.42.07.00.02.59
5	2		lens head screw with hexagon socket ISO 7380 - M6x12		01.42.08.49.65.00
6	2		lock washer S6		02.99.10.60.01.10
7	2		washer DIN 125 - A 6,4		02.61.06.41.41.20
8+9	1	68420301			68.42.03.00.01.59
altern.	1	68420302			68.42.03.00.02.59
9	1		latch \varnothing 6/M10x1x31 with lock		04.14.43.60.02.00
10-14	1	68420503			68.42.05.00.01.59
altern.	1	68420504			68.42.05.00.02.59
11	1		lens head screw with hexagon socket M6x45		01.43.08.61.05.00
12	1				57.02.05.04.00.59
13	1		washer DIN 125 - A 6,4		02.61.06.41.41.20
14	1		hexagon cap nut low form with clamp DIN 986 - M6		02.33.00.60.11.20

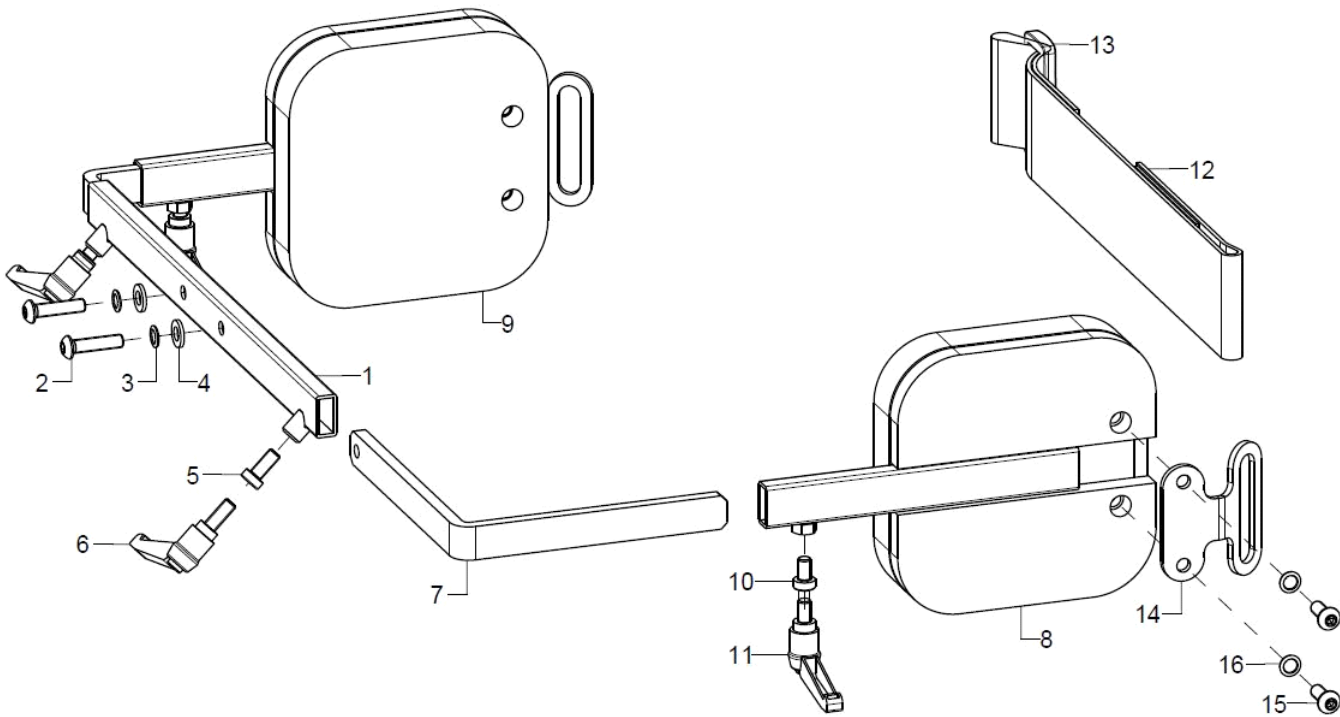


15	1	68420401		68.42.04.00.01.59
altern.	1	68420402		68.42.04.00.02.59
16+17	1	68420201		68.42.02.00.01.59
altern.	1	68420202		68.42.02.00.02.59
17	1	653106		04.05.47.24.25.30
18+19	1	68420801		68.42.08.00.01.59
altern.	1	68420802		68.42.08.00.02.59
altern.	1	68420803		68.42.08.00.03.59
19	2			01.24.08.48.05.00
20-23	1	68420505		68.42.06.02.00.59
altern.	1	68420506		68.42.06.03.00.59
altern.	1	68420507		68.42.06.04.00.59
21	2		lens head screw with hexagon socket ISO 7380 - M6x16	01.42.08.52.65.00
22	2		lock washer S6	02.99.10.60.01.10
23	2		washer DIN 125 - A 6,4	02.61.06.41.41.20
o.B.	1			
o.B.	1			
o.B.	1			

Schwarz (..90)
Feuerrot (..92)
Violett (..93)
Türkis (..94)

Taubenblau (..95)
Limone (..96)
Grün (..97)

Side chest truss pad / Side posterior truss pad



pcs.	Q/1	item no.	Product name:	Variant:	drawing no.
1-5(6)	1	68430301			68.43.03.01.01.59
altern.	1	68430302			68.43.03.01.02.59
altern.	1	68430303			68.43.03.01.03.59
2	2		lens head screw with hexagon socket ISO 7380 - M6x25		01.42.08.56.65.00
altern.	4		lens head screw with hexagon socket ISO 7380 - M6x30		01.42.08.58.65.00
3	2(4)		lock washer S6		02.99.10.60.01.10
o.B.	2		washer DIN 125 - A 6,4		02.61.06.41.41.20
altern.	4		washer reinforced Ø14/6,2x2		58.30.15.01.00.24
o.B.	2	35310209			45.31.01.03.00.72
5	2				01.24.08.48.05.00
6	2		clamp lever adjustable M6x16, black		04.13.10.60.16.50
Option					
7	2	68430401			68.43.03.03.01.59
altern.	2	68430402			68.43.03.03.02.59
altern.	2	68430403			68.43.03.03.03.59
8+10(1 1)	1	68430101			68.43.01.01.01.59
altern.	1	68430201			68.43.02.01.01.59
9+10(1 1)	1	68430102			68.43.01.01.02.59
altern.	1	68430202			68.43.02.01.02.59
10	1				01.24.08.48.62.40
11	1				04.13.10.60.10.50
Option					



12+13	1	68310601		68.31.06.02.01.59
o.B.	1	68310602		68.31.06.02.02.59
o.B.	1	68310603		68.31.06.02.03.59
13	1			04.44.26.00.10.20
14	4	68430104		68.43.01.04.00.59
15	4		lens head screw with hexagon socket ISO 7380 - M6x12	01.42.08.49.65.00
16	4		lock washer S6	02.99.10.60.01.10

o.B. 2 68431001

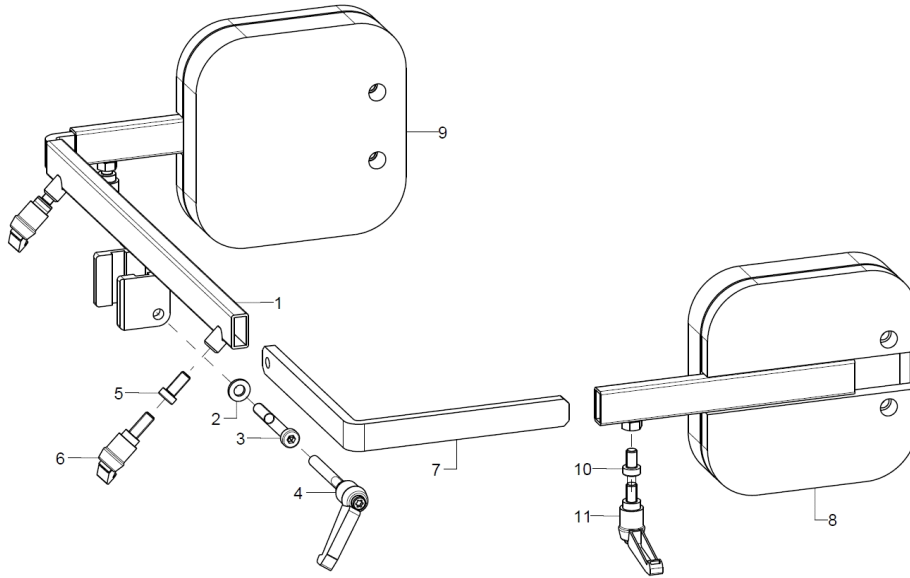
o.B. 2 68431002

Schwarz (..90)
Feuerrot (..92)
Violett (..93)
Türkis (..94)

Taubenblau (..95)
Limone (..96)
Grün (..97)

Side pelvis truss pad

Not in combination with Posterior truss pad with crank OR with side posterior truss pad.



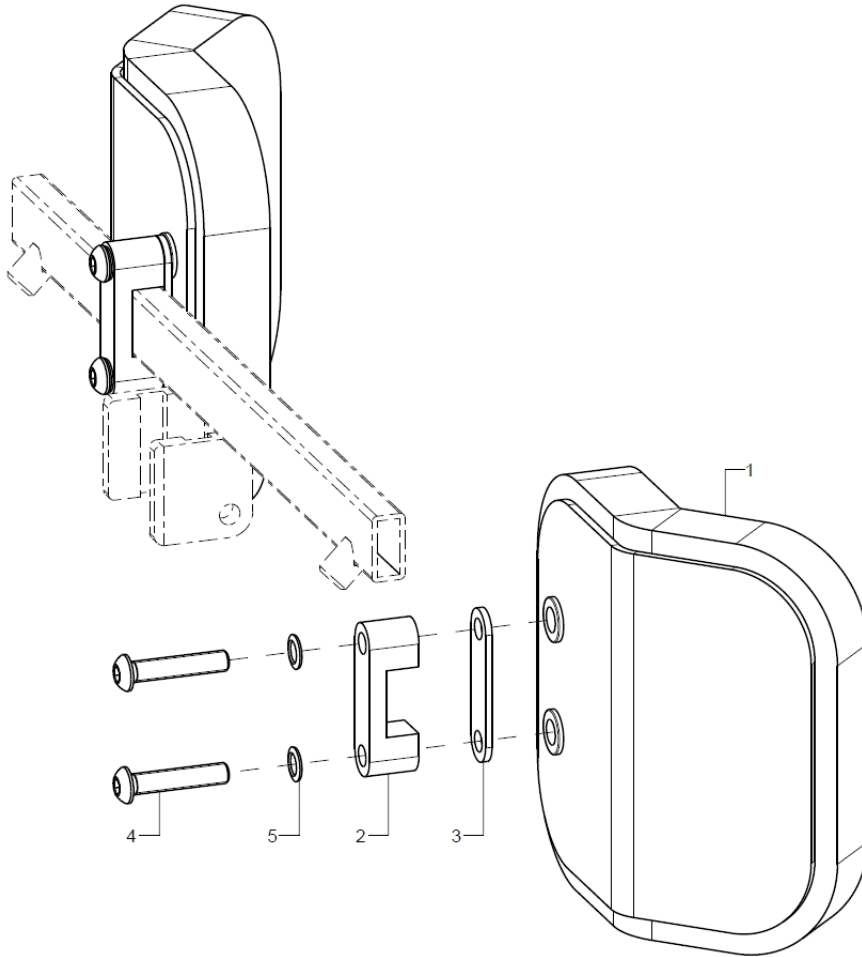
pcs.	Q/1	item no.	Product name:	Variant:	drawing no.
1-3(4)+5(6)	1	68440101			68.44.01.01.01.59
altern.	1	68440102			68.44.01.01.02.59
altern.	1	68440103			68.44.01.01.03.59
2	1		washer DIN 125 - A 6,4		02.61.06.41.41.20
3	1				01.24.09.82.62.40
4	1				04.13.10.60.50.51
Option					
5	2				01.24.08.48.05.00
6	2		clamp lever adjustable M6x16, black		04.13.10.60.16.50
Option					
7	2	68430401			68.43.03.03.01.59
altern.	2	68430402			68.43.03.03.02.59
altern.	2	68430403			68.43.03.03.03.59
8+10(11)	1	68430101			68.43.01.01.01.59
altern.	1	68430201			68.43.02.01.01.59
9+10(11)	1	68430102			68.43.01.01.02.59
altern.	1	68430202			68.43.02.01.02.59
10	1				01.24.08.48.62.40
11	1				04.13.10.60.10.50
o.B.		68431001			
o.B.		68431002			

Schwarz (..90)
 Feuerrot (..92)
 Violett (..93)
 Türkis (..94)

Taubenblau (..95)
 Limone (..96)
 Grün (..97)

Front pelvic truss pad

Only in combination with pelvis truss pad or posterior truss pad with crank.

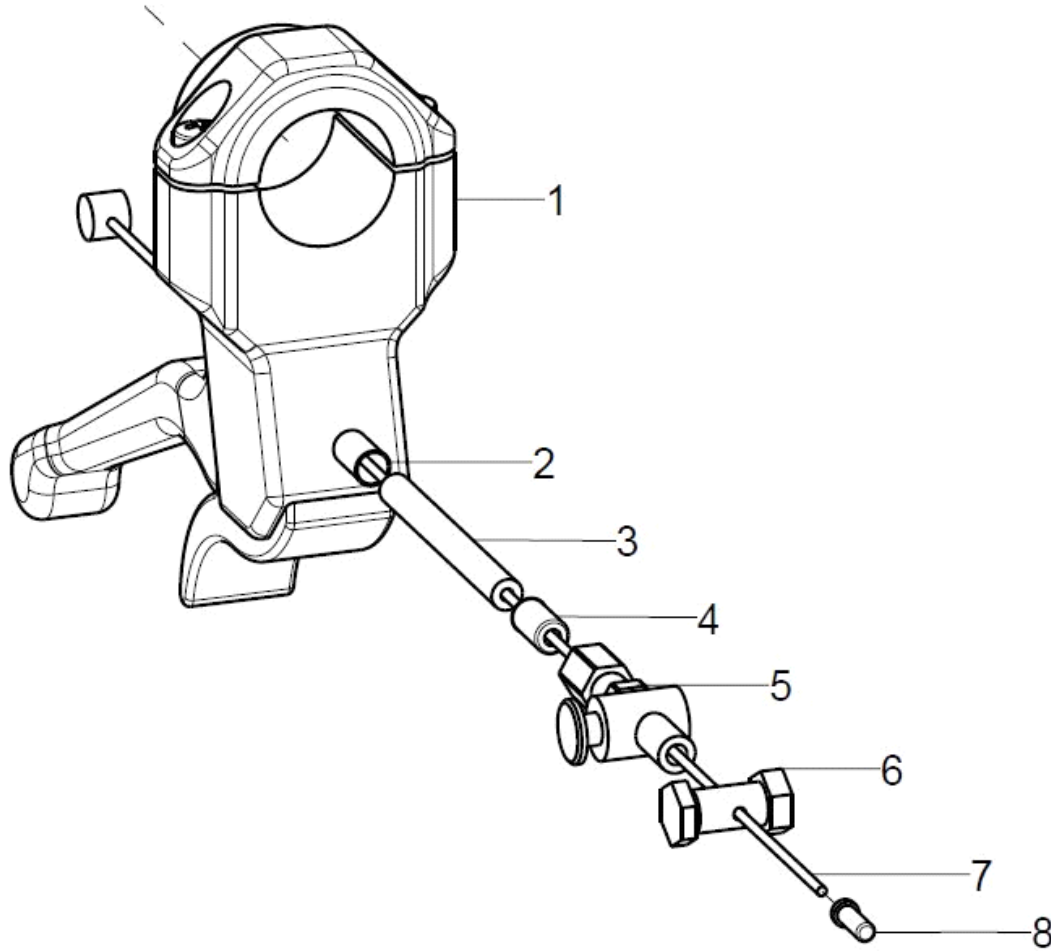


pcs.	Q/1	item no.	Product name:	Variant:	drawing no.
1-5	2				68.47.01.01.01.59
altern.	2				68.47.01.01.02.59
2	1	59760110			59.76.01.10.00.76
3	1				68.47.02.02.00.59
4	2		lens head screw with hexagon socket ISO 7380 - M6x30		01.42.08.58.65.00
5	2		lock washer S6		02.99.10.60.01.10
o.B.	2				
o.B.	2				

Schwarz (..90)
 Feuerrot (..92)
 Violett (..93)
 Türkis (..94)

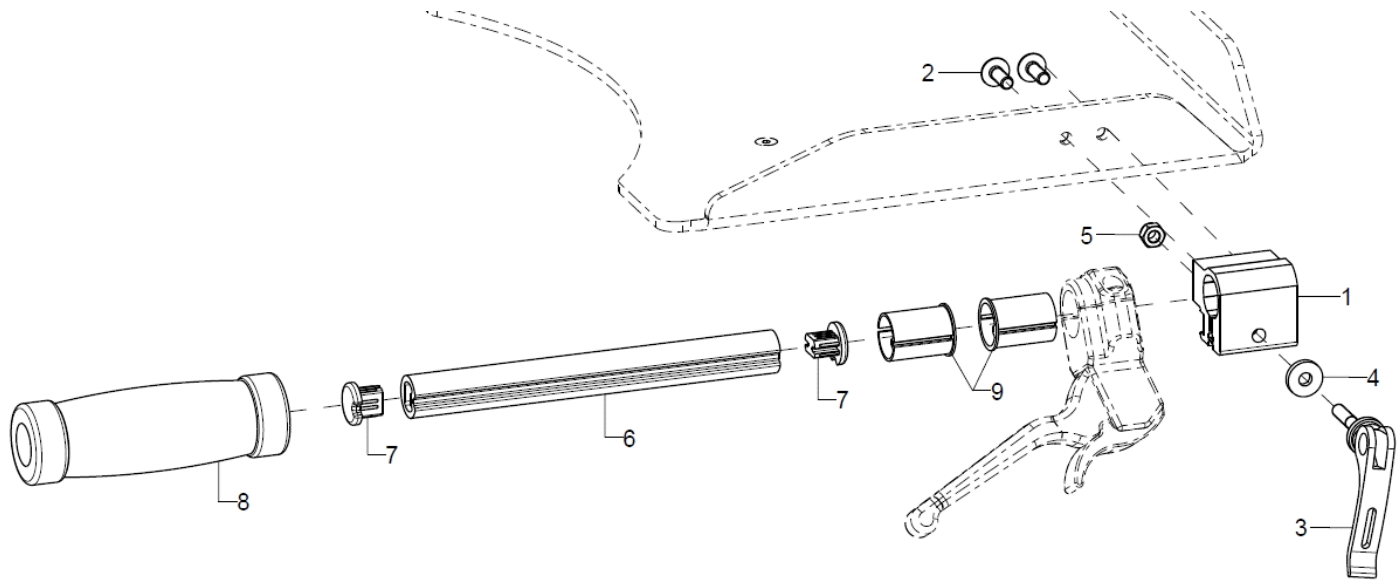
Taubenblau (..95)
 Limone (..96)
 Grün (..97)

Brake lever and bowden cable for drum brake



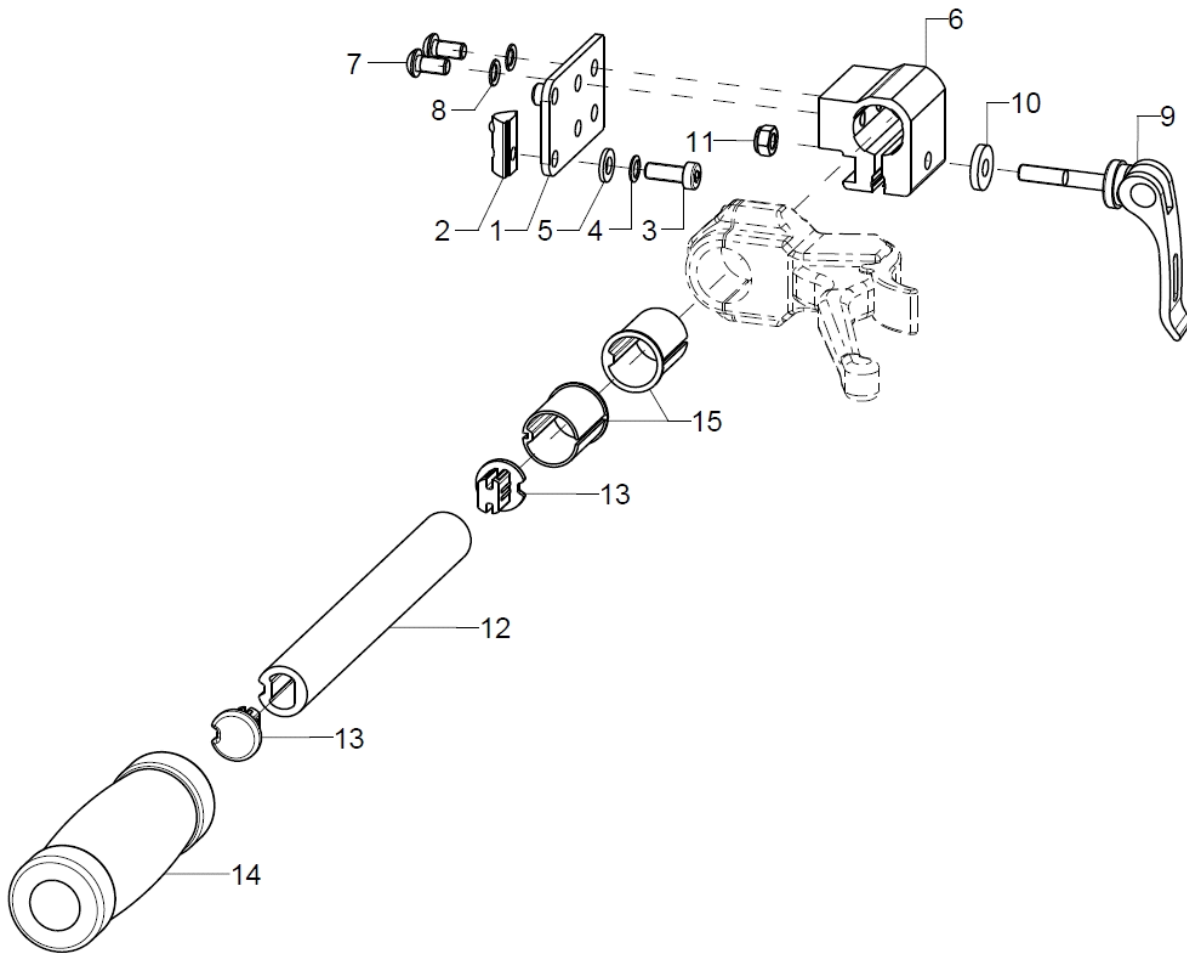
pcs.	Q/1	item no.	Product name:	Variant:	drawing no.
1-8	1	352016	hand brake lever complete		XXXXXXXXXXXX
1	1	352010	hand brake lever for attendant brake incl. mounting set		04.54.92.22.20.10
2-8	2	352006			35.20.06.99.00.10
2	1				04.54.91.50.11.21
3	1		outer shell for Bowden cable black 150mm		04.54.91.21.53.00
4	1		end bush metal $\varnothing 5$		04.54.91.50.10.41
5	1		set screw for Bowden cable M6x40 mm		04.54.01.40.60.20
6	1		clamp screw for bowden cable		04.54.11.30.00.20
7	1		inner Bowden cable 1,5x2250		04.54.91.11.52.20
8	1		end cap for inner Bowden cable $\varnothing 1-1,5$ mm		04.54.91.50.10.40

Brake lever at therapy table



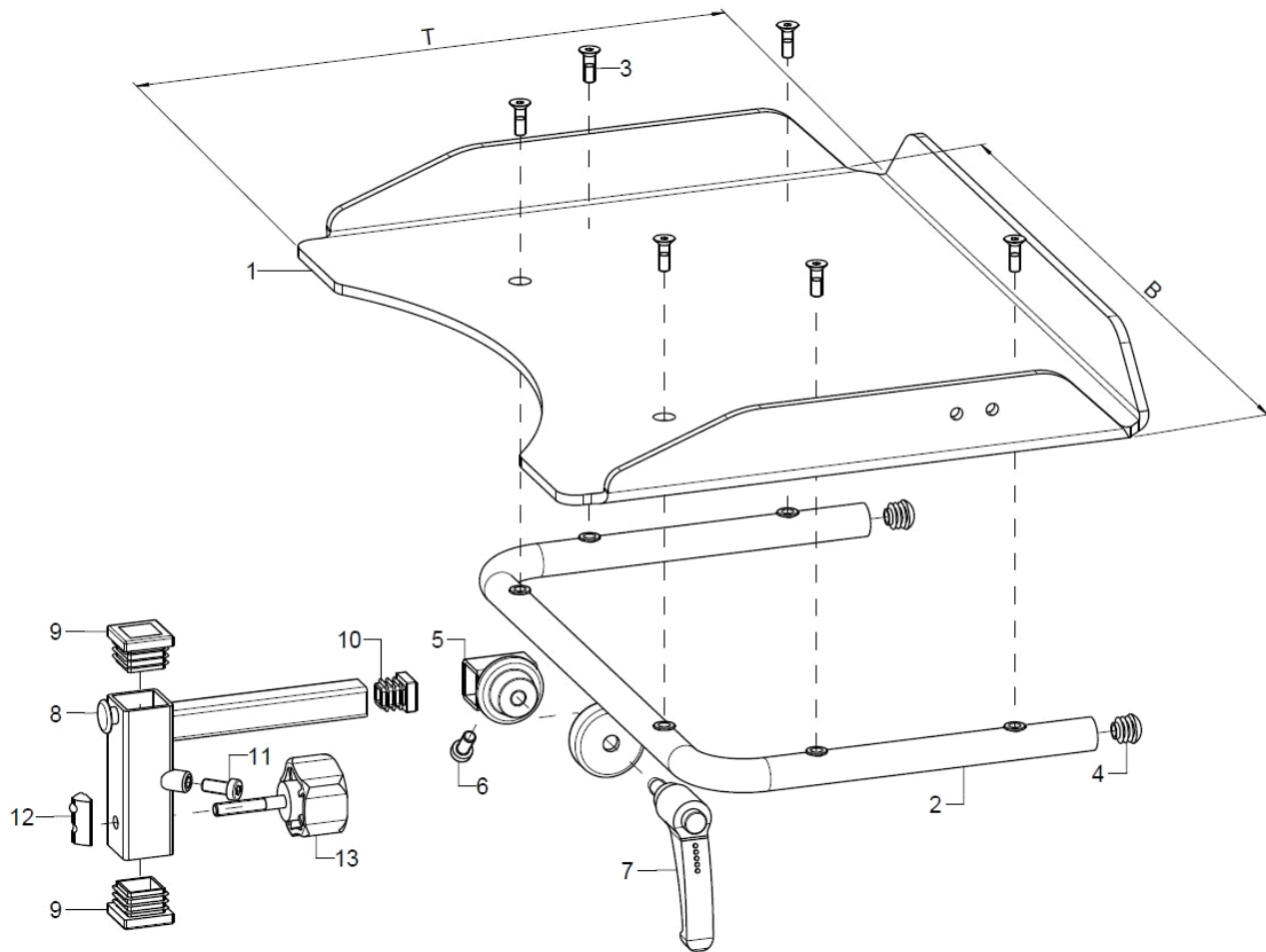
pcs.	Q/1	item no.	Product name:	Variant:	drawing no.
1-5	1	35590110			40.55.10.04.00.76
2	2		lens head screw with hexagon socket M6x16		01.43.08.52.65.00
3	1	652225			04.13.40.60.35.10
4	1		washer DIN 7349 - 6,4		02.77.06.53.00.20
5	1		hexagon nut self-locking low form DIN 985 - M6		02.32.00.60.01.20
6-9	1	35590101			35.59.01.01.00.59
7	2	620105	plug for profile tube		62.01.05.00.00.74
8	1	655004	handle cover 125 mm		04.65.18.12.00.10
9	2	352011			35.20.11.01.00.28

Brake lever at centre column



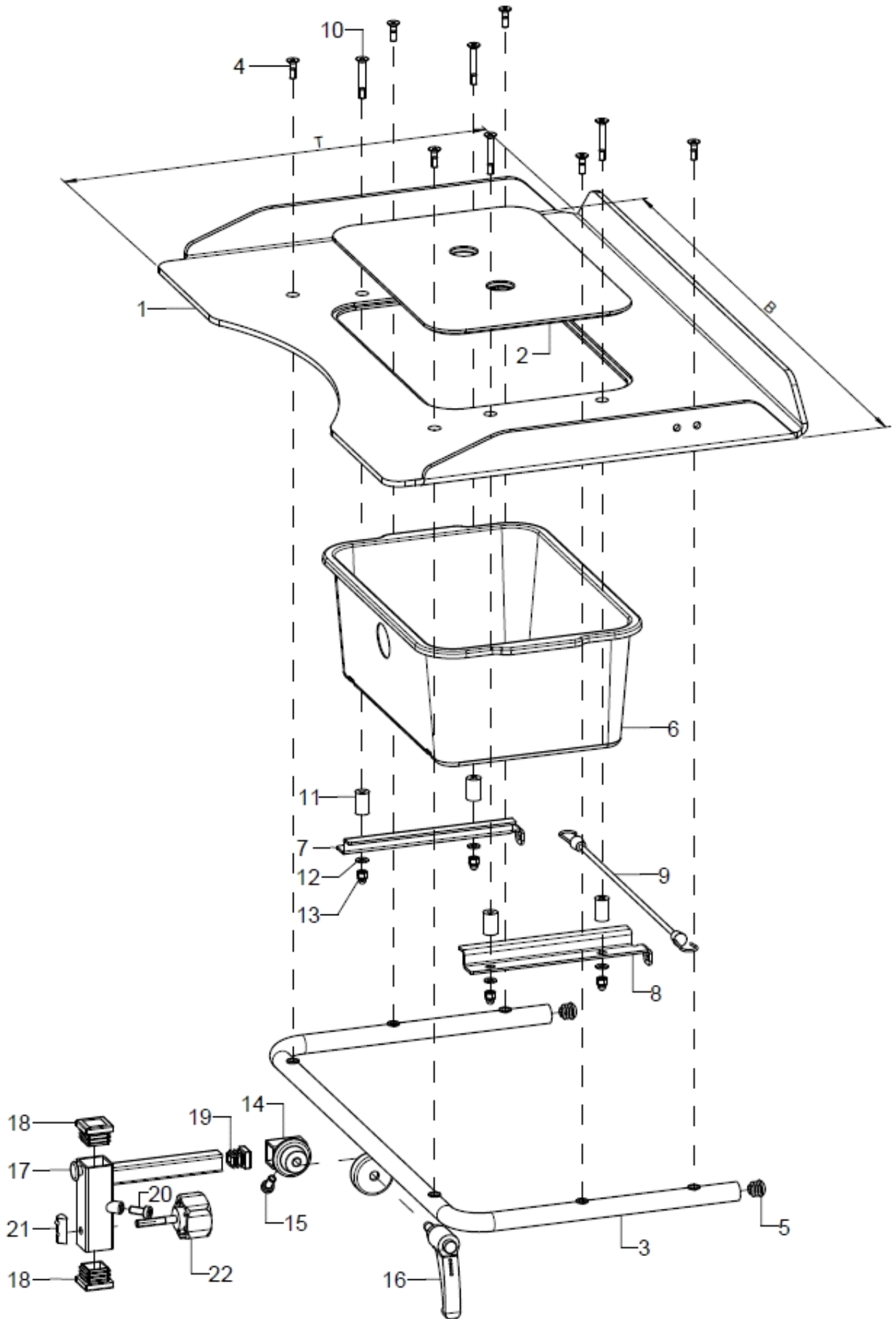
pcs.	Q/1	item no.	Product name:	Variant:	drawing no.
1-5	1				35.59.01.02.00.59
2	1				04.15.02.06.00.10
3	1		cylinder screw, low head DIN 7984-M6x16		01.24.08.52.05.00
4	1		lock washer S6		02.99.10.60.01.10
5	1		washer DIN 125 - A 6,4		02.61.06.41.41.20
6-11	1				40.55.10.04.00.76
7	2		lens head screw with hexagon socket ISO 7380 - M6x12		01.42.08.49.65.00
8	2		lock washer S6		02.99.10.60.01.10
9	1	652225			04.13.40.60.35.10
10	1		washer DIN 7349 - 6,4		02.77.06.53.00.20
11	1		hexagon nut self-locking low form DIN 985 - M6		02.32.00.60.01.20
12-15	1				35.59.01.01.00.59
13	2	620105	plug for profile tube		62.01.05.00.00.74
14	1	655004	handle cover 125 mm		04.65.18.12.00.10
15	2	352011			35.20.11.01.00.28

Therapy table



pcs.	Q/1	item no.	Product name:	Variant:	drawing no.
1	1	920621			92.06.10.05.01.59
altern.	1	920622			92.06.10.05.02.59
altern.	1	920623			92.06.10.05.03.59
2-13	1	920620			
2-7	1	920901	holder for therapy table incl. mounting set		92.09.01.01.01.72
o.B.	1	920904			92.09.01.01.02.72
3	6		counter sunk screw with hexogon socket DIN 7991 M5x16		01.65.07.92.05.00
4	2		plugs for tube $\varnothing 22 \times 1-2$, black		04.63.10.22.00.10
5-7	1	920629			92.06.10.02.00.59
6	1				01.24.08.48.05.00
7	1	650050	clamp lever adjustable M8x16, black		04.13.10.80.16.50
8-13	1	920630			92.06.10.01.00.59
9	2				04.63.11.25.00.10
10	1		plugs for square tubes, black 15x15		04.63.11.15.00.10
11	1				01.24.08.48.05.00
12	1				04.15.02.06.00.10
13	1		5-star knob $\varnothing 40$ - M6x35 external thread, black		04.05.45.24.35.30

Therapy table with toy box



pcs.	Q/1	item no.	Product name:	Variant:	drawing no.
1+2	1	920631			92.06.10.06.01.59
altern.	1	920632			92.06.10.06.02.59
altern.	1	920633			92.06.10.06.03.59
2	1				92.00.10.03.00.51
3-22	1	920620			
3-5	1	920901	holder for therapy table incl. mounting set		92.09.01.01.01.72
o.B.	1	920904			92.09.01.01.02.72
4	2(6)		counter sunk screw with hexagon socket DIN 7991 M5x16		01.65.07.92.05.00
5	2		plugs for tube ø22x1-2, black		04.63.10.22.00.10
6-13	1				92.06.10.06.05.59
7	1				92.00.10.05.01.51
8	1				92.00.10.05.02.51
10	4		counter sunk screw with hexagon socket DIN 7991 M5x35		01.65.07.99.05.00
9	1				00.57.04.00.00.90
11	(0) 4				92.06.10.06.10.59
12	4		washer DIN 125 - A 5,3		02.61.05.31.01.20
13	4		hexagon cap nut low form with clamp DIN 986 - M5		02.33.00.60.21.20
14-16	1	920629			92.06.10.02.00.59
15	1				01.24.08.48.05.00
16	1	650050	clamp lever adjustable M8x16, black		04.13.10.80.16.50
17-22	1	920630			92.06.10.01.00.59
18	2				04.63.11.25.00.10
19	1	401107	end plug 15x15 black, 4 piece set		04.63.11.15.00.10
20	1				01.24.08.48.05.00
21	1				04.15.02.06.00.10
22	1		5-star knob ø40 - M6x35 external thread, black		04.05.45.24.35.30