

Boogie Drive



Instructions for use

Imprint

SORG Rollstuhltechnik GmbH + Co. KG
Benzstrasse 3-5
68794 Oberhausen-Rheinhausen / Germany

Phone +49 7254-9279-0
Fax +49 7254-9279-10
E-Mail info@sorgrollstuhltechnik.de
Web www.sorgrollstuhltechnik.de

Revision status


2023-07-10

Technical status

Technical changes and misprints reserved.
The pictures in this Instructions for use can differ from the actual equipment components. However, a corresponding conduction is possible.

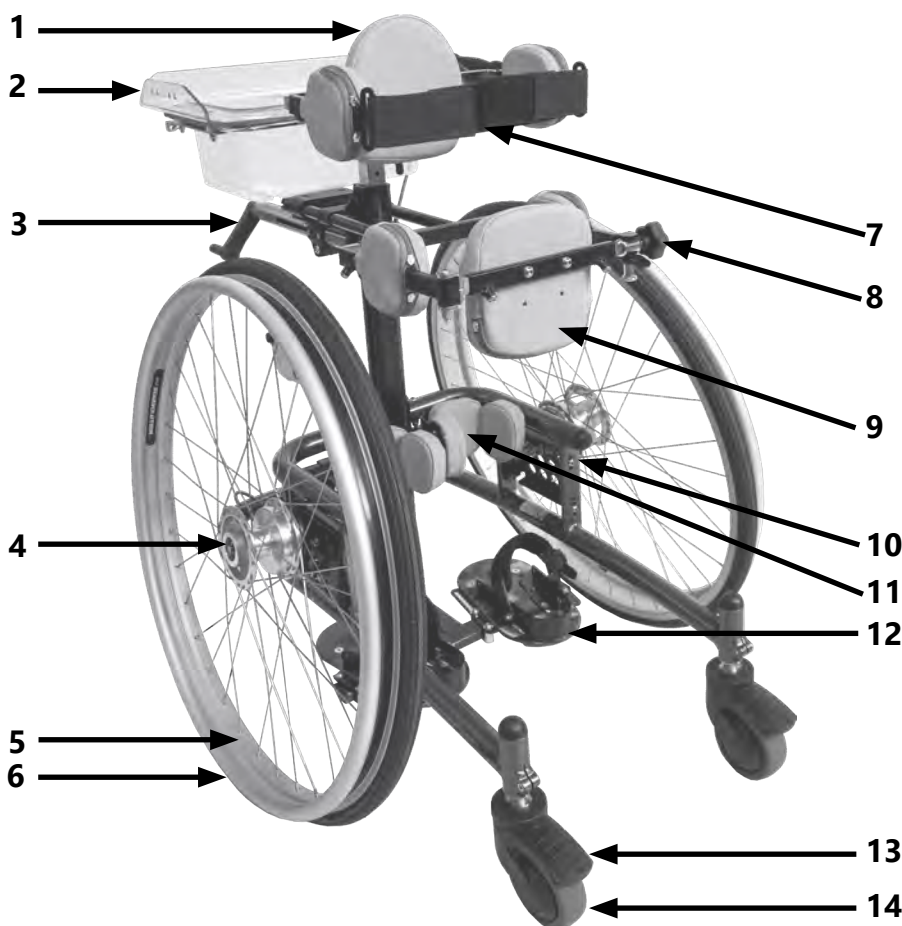
Copyright

All texts, pictures and graphics underlie copyright protection. All rights, including copying, publishing, editing and translating, remain reserved. © by SORG Rollstuhltechnik GmbH+Co. KG Benzstraße 3-5, 68794 Oberhausen-Rheinhausen / Germany.

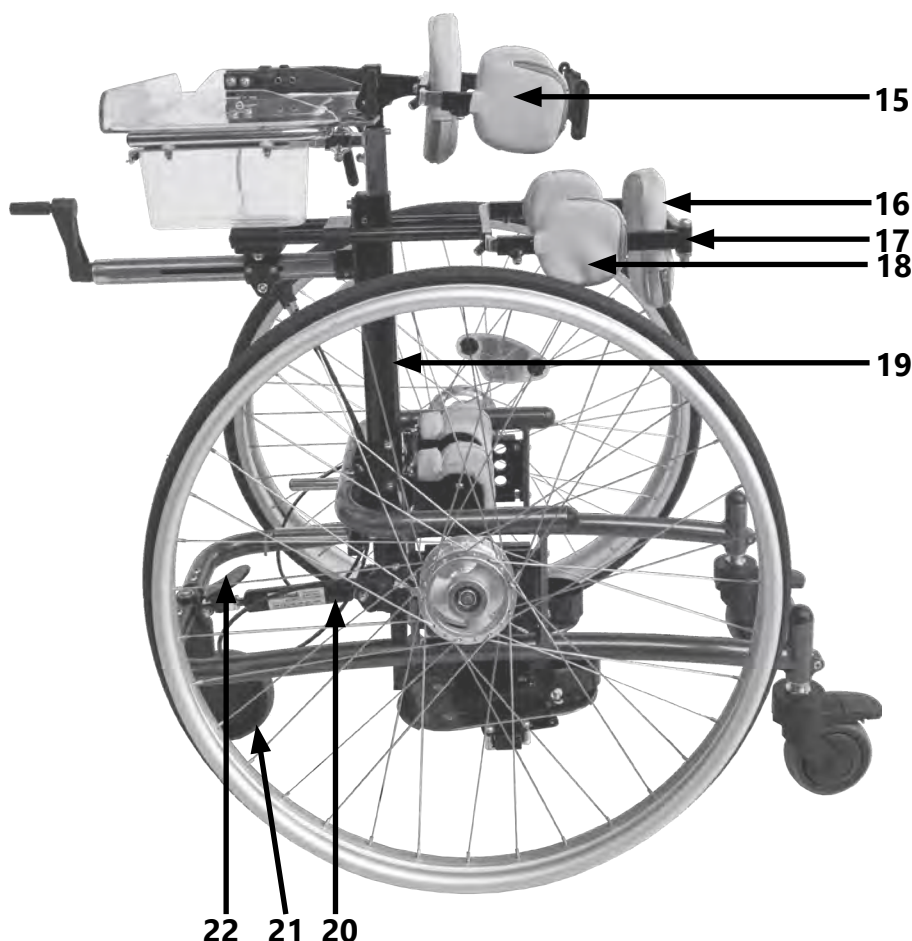
 Our terms and conditions can be found on our order forms and at www.sorgrollstuhltechnik.de/impressum

1 Mobile standing device overview	5	4 Repairs/maintenance/reinstatement	26
2 General information	6	4.1 Repairs	26
2.1 Preface	6	4.2 Spare Parts	26
2.2 General information regarding usage instructions	6	4.3 Maintenance	26
2.2.1 Signs and Symbols	7	4.4 Disinfection	26
2.2.2 Intended purpose	8	4.5 Storage	26
2.2.3 Indication	8	4.6 Lifespan	27
2.2.4 Contraindication	8	4.7 Reinstatement	27
2.3 General safety information	9	4.8 Disposal	27
2.3.1 Loading and transport without occupants	11	4.9 Maintenance/Inspection	27
2.3.2 Other important information	11	5 Technical data	29
3 Handling	12	5.1 Data and dimensions	29
3.1 Handling posterior truss pad	12	5.2 Meaning of labels	30
3.1.1 General information regarding posterior truss pad	12	5.3 Declaration of conformity	30
3.1.2 Posterior truss pad with crotch pad	12	6 Verification of yearly inspection	31
3.1.3 Posterior truss pad swivel bracket	13		
3.2 Handling centre column	15		
3.2.1 General information regarding centre column	15		
3.3 Handling pelvic truss pad	16		
3.3.1 General information regarding pelvic truss pad	16		
3.4 Handling back truss pad	17		
3.4.1 General information regarding back truss pad	17		
3.5 Handling chest pad	18		
3.5.1 General information regarding chest pad	18		
3.6 Handling knee truss pad	19		
3.6.1 General information regarding knee truss pad	19		
3.7 Handling brake	20		
3.7.1 General information regarding brakes	20		
3.7.2 Drum brake	20		
3.7.3 Rear swivel casters with wheel lock	21		
3.8 Handling driving wheel	22		
3.8.1 General information regarding wheels	22		
3.8.2 Quick-release axles	22		
3.9 Handling footrest	23		
3.9.1 General information regarding footrest	23		
3.9.2 Foot plate belt	24		
3.10 Handling therapy table	25		
3.10.1 General information regarding therapy table	25		

1 Mobile standing device overview



- 1 Chest pad
- 2 Therapy table
- 3 Crank for posterior truss pad with swivel bracket
- 4 Drum brake hub
- 5 Driving wheel
- 6 Handrim
- 7 Belt for chest truss pad
- 8 Star grip lock for the pelvic truss pad with crank and swivel bracket
- 9 Cushion for posterior truss pad
- 10 Axle plate
- 11 Knee truss pad
- 12 Footrest
- 13 Locking lever for swivel caster
- 14 Rear swivel caster



- 15 Side chest pad
- 16 Cushion for posterior truss pad
- 17 Swivel bracket
- 18 Side posterior truss pad
- 19 Centre column
- 20 Gas pressure spring
- 21 Front swivel caster
- 22 Release pedal for gas pressure spring

2.1 Preface

A warm welcome to the SORG family – many thanks for the trust you have placed in us and for choosing our product.

This mobile standing device has been individually tailored to meet your specific requirements.



You will find the usage and adjustment instructions below so that you can use the mobile standing device in everyday life without tools. Please observe these instructions and handle the mobile standing device carefully so that you can enjoy it for as long as possible.

Please do not hesitate to contact us if you have any questions about this or any other product.

We hope you enjoy using your SORG product.

Your SORG team


2.2 General information regarding usage instructions

These usage instructions contain safety information and handling instructions that are necessary for the correct use of the product.

All settings, adjustments and repairs beyond the scope of these usage instructions, and the annual inspection, must be carried out by a qualified specialist dealer.

You can find more information about this in our service record, which can be accessed at www.sorgrollstuhltechnik.de

The user and specialist dealer must have read and understood these instructions before commissioning. These usage instructions cover all equipment variants of the product. Have your consultant instruct you on the safe handling of the mobile standing device and your individual equipment variants on level ground and with the support of an accompanying person.

 Those with impaired vision can find these usage instructions on our website www.sorgrollstuhltechnik.de as PDF and audio files.

Please contact your specialist dealer or our team if you have any questions or comments (+49 7254 9279-0).

Keep these usage instructions in a safe place. All annual inspections carried out must be documented by the specialist dealer.

2 General information

2.2.1 Signs and Symbols



ATTENTION! Warnings for personal Safety aspects that are of the utmost importance.



CORRECT safety adjustment/ use



WRONG adjustment /use



NOT ALLOWED



References to additional/ continuing reading.



important detail



correct or proper use/setting



incorrect or improper use/setting

(A); (B)

reference from text to detail

USE



Push/ pull/ insert/ move/ remove



Push in specific direction



Setting or adjusting the angle



open/close



Turn clockwise



Turn counterclockwise



steps to be done at the same time



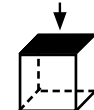
steps to be done after each other



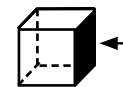
steps to be done on both sides



point of view



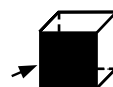
view from top



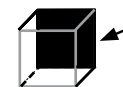
view from the side



view from the bottom



view from the front



view from the back



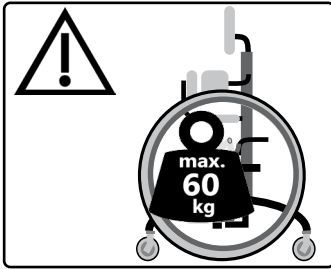
fasten parts




remove parts

2.2.2 Intended purpose

The Boogie Drive is a mobile standing device with an inclinable centre column for children and young people. It is designed exclusively for indoor use.





 The aid is designed exclusively for temporary use in accordance with therapeutic specifications.


The mobile standing device is designed solely for the transport of the person for whom it has been specially adapted by a qualified specialist dealer.

Parents or authorised guardians must ensure that the information in the usage instructions is followed for children or persons with impaired capacities.

The safe use of the aid to the greatest possible extent is only possible indoors on level, firm and dry ground with the help of an accompanying person.

 Any use beyond this entails taking a variety of risks for which only the user themselves can take responsibility. This requires sufficient competence in identifying and avoiding hazards and safe handling of the aid by the user!

 Only use the standing trainer for its intended purpose. Any improper use of the product involves considerable risks and will invalidate product liability.

 The large variety of combinations means that settings can be made that are outside the safety and application range.

2.2.3 Indication


Use is suitable for the following functional impairments, among others:

- in all forms of therapy for straightening up and controlled, gentle stress on the
- complete skeleton,
- for activation or preservation/development of the entire tonicity or individual
- muscle groups,
- for stimulation/strengthening of sensitive integration (perception) or vestibular
- stimulation,
- for preservation/development of motor-functional differentiation,
- for the prevention of tonus anomalies (spastic defective positions etc.)
- for stimulation/strengthening of the complete metabolism, the vegetative nervous system and the complete cardiovascular system,
- in the case of vegetative disorders,
- for counteracting perception and/or communication disturbances.

2.2.4 Contraindication

Use is unsuitable for:

- Serious perception and balance disorders,
- Loss of limbs of the lower extremities,
- Joint contractures/joint damage to the arms and/or legs,
- Those with eyesight that is insufficient for active forward navigation.

 We accept **no** liability for damage to persons or objects resulting from the circumstances described above.

2.3 General safety information



Before each use, check:

- that all truss pads are firmly in place,
- the frame, add-on parts and accessories for visible damage, bending, cracks or missing or loose screws,
- the wheels and quick-release axles for tightness,
- that the inflation pressure and tyre tread are sufficient,
- that the brakes are working properly,
- that the locking mechanisms (springs, quick-release axles, eccentric clamps, etc.) are tight,
- that all previously dismantled components have been reconnected and firmly locked.



There is a risk of injury (e.g. due to crushing) from all rotating, swivelling or foldable components, even during adjustment and repair work and during transport.



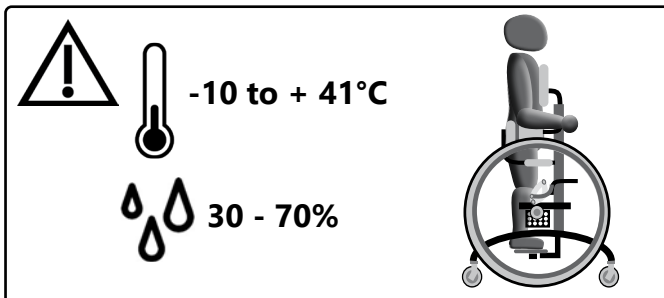
Structural modifications may only be carried out with our explicit approval and only by the specialist dealer. These must be documented.



The occupant must not be left in the aid unattended.



The standing trainer must only be used if all components are correctly fitted and adjusted.

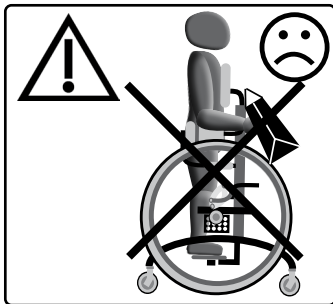
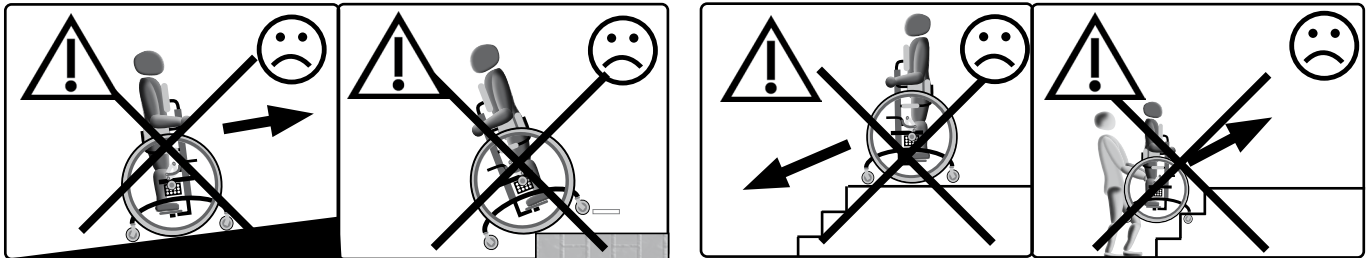


If the standing trainer is used in an area without thresholds, the wheels should be adjusted in such a way that each wheel maintains ground contact. In the case of frequent crossing of e.g. door thresholds or the like, the front wheel should not be in contact with the ground.

2 General information

Danger of tipping over and overturning

⚠ There is a danger of tipping over and overturning with all types of ledges, thresholds, inclined planes and steps as well as when leaning out of the standing trainer. The occupant must remain stable in the standing trainer, be well harnessed and all lockable truss pads must be firmly secured.



For independent crossing of a threshold, the occupant must:

- Move the standing trainer slowly and at a right angle to just before the threshold,
- Shift their weight rearward
- And bring the front swivelling casters(s) that are now freely positioned in the air over the obstacle.
- Then shift the weight to the front
- and cross the obstacle.

Getting in and out

⚠ An accompanying person must always provide assistance when the occupant gets into or out of the standing trainer.

⚠ Occupants must only get in and out of the trainer on level, horizontal and firm ground and with the parking brake applied and the wheel locks on the rear casters on.


2.3.1 Loading and transport without occupants

Make sure that the packing size you require is suitable and secure the mobile standing device and all dismantled components with sufficient load securing. Inform yourself about suitable load securing precautions before transport.

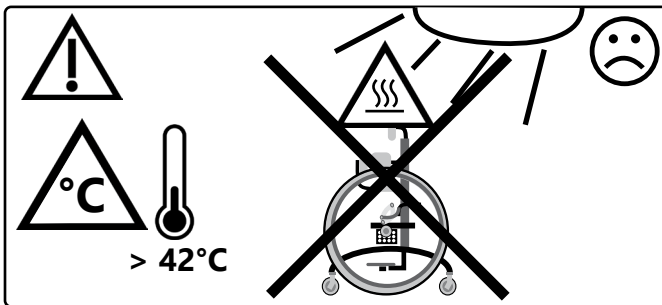
Carrying points:

- Frame tubes
- But **not** on the leg supports or truss pads

2.3.2 Other important information

 The standing trainer has been tested and verified for resistance to ignition of textile materials in compliance with the applicable standards. Nevertheless, there is a risk of ignition of the flame-retardant textile components. Keep any sources of ignition away from the standing trainer.

 The standing trainer must neither be exposed to excessive moisture nor come into contact with salt water.




Please contact your specialist dealer or us as the manufacturer if you experience any issues with the standing trainer. Product recalls etc. will be published on our website www.sorgrollstuhltechnik.de. You can also find the respective contact persons there.

Corrosion protection

The product has been designed with corrosion protection in mind when selecting the materials (e.g. plastic, aluminium, stainless steel). All materials prone to corrosion are surface-treated and are therefore protected.

The mobile standing device must be dried thoroughly if it becomes wet.

Lifespan

 Use beyond the specified lifespan increases the residual risks and should only be carried out after careful, qualified consideration by the operator. If the useful life is reached, the user or a responsible person should contact the specialist dealer. There you can be informed about the possibility of reprocessing the product.

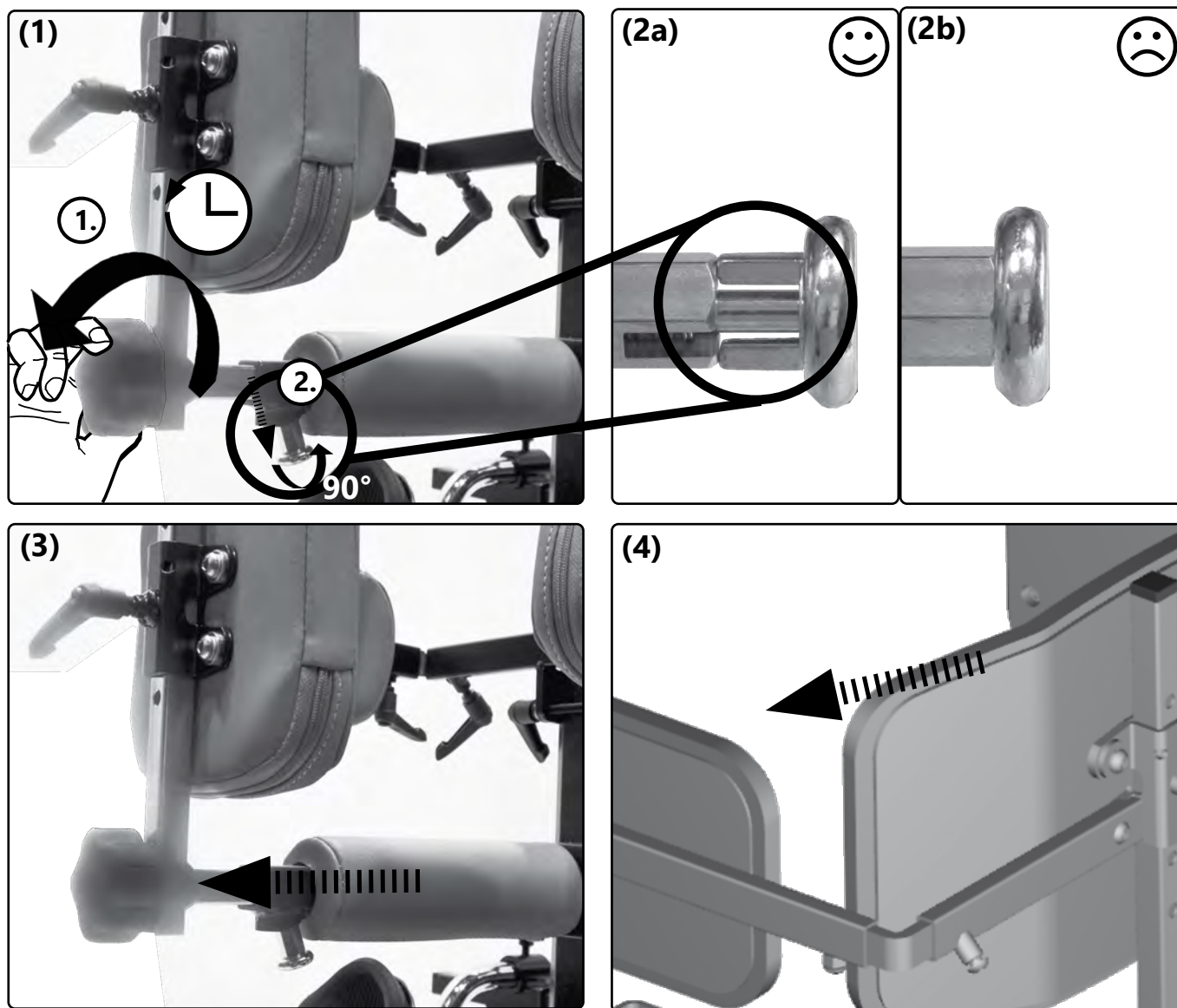
3.1 Handling posterior truss pad

3.1.1 General information regarding posterior truss pad

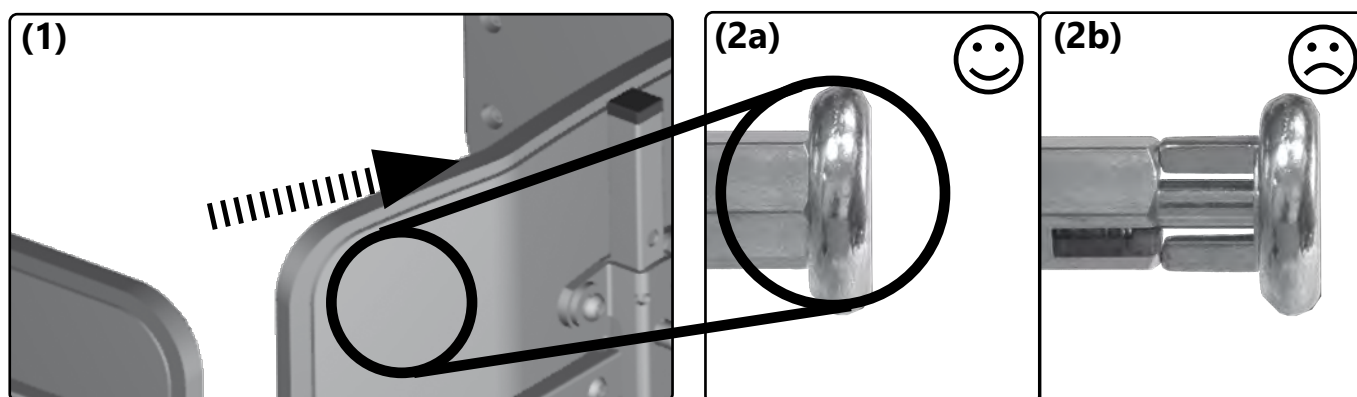
The star grip must be tightened. The latch alone is **not** sufficient for stabilisation! The standing trainer is not ready for use without the star grip firmly secured!

3.1.2 Posterior truss pad with crotch pad

Removal (to insert, proceed accordingly in reverse order):

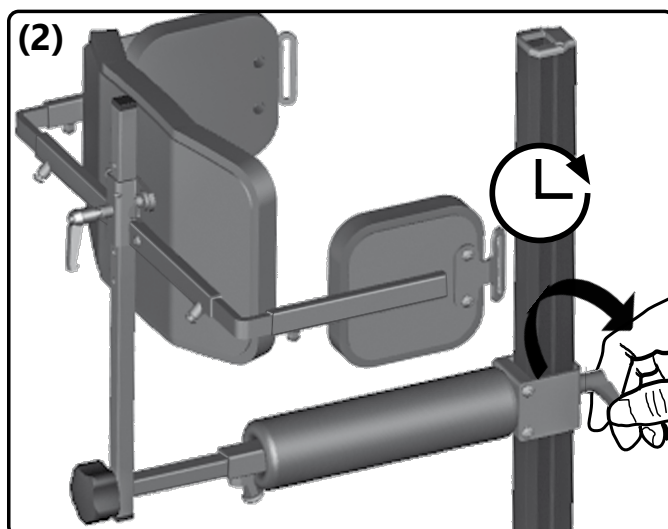
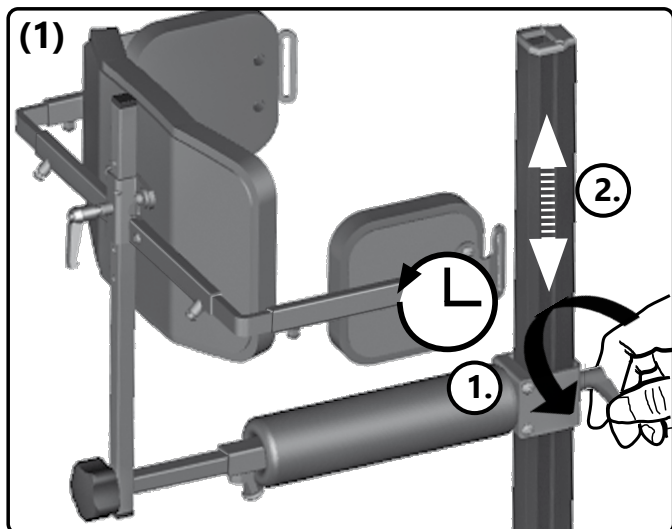


Set depth:

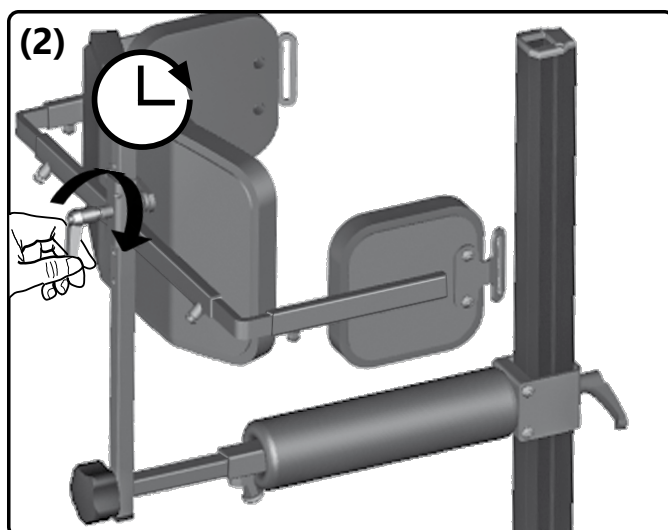
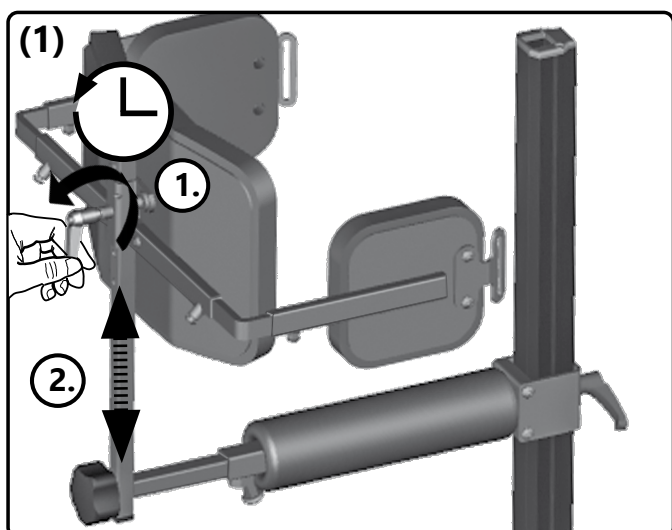


3.1 Handling posterior truss pad

Set height of step pad:

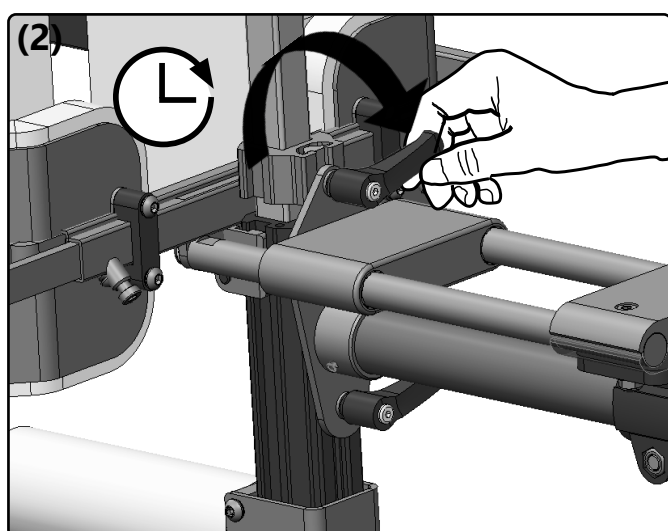
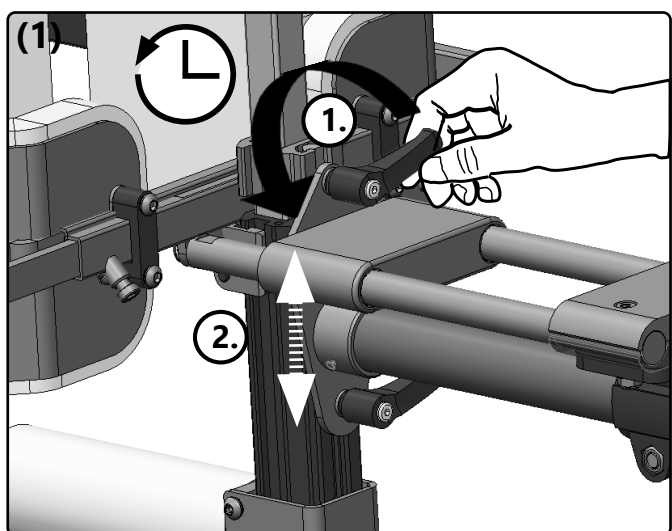


Set height of posterior truss pad:



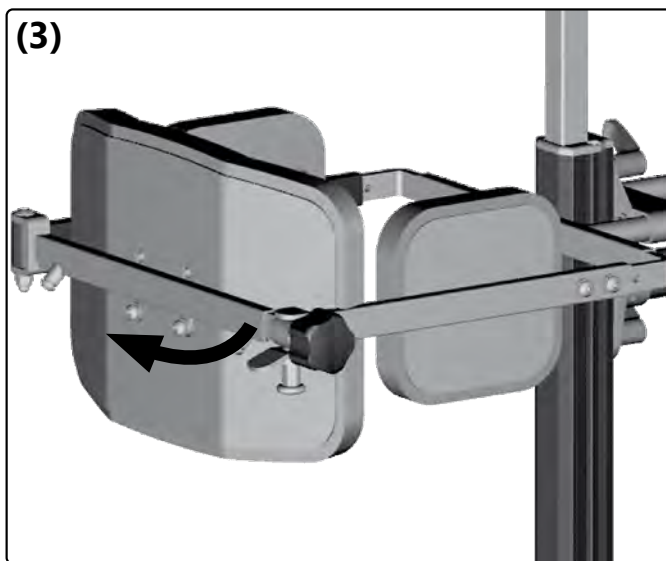
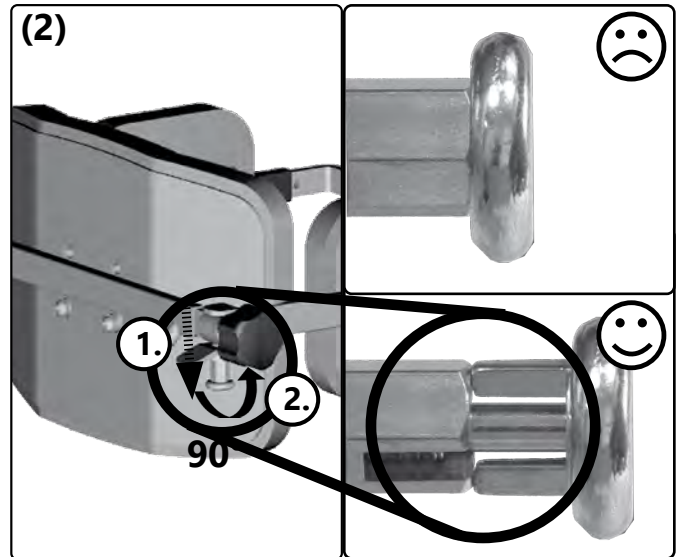
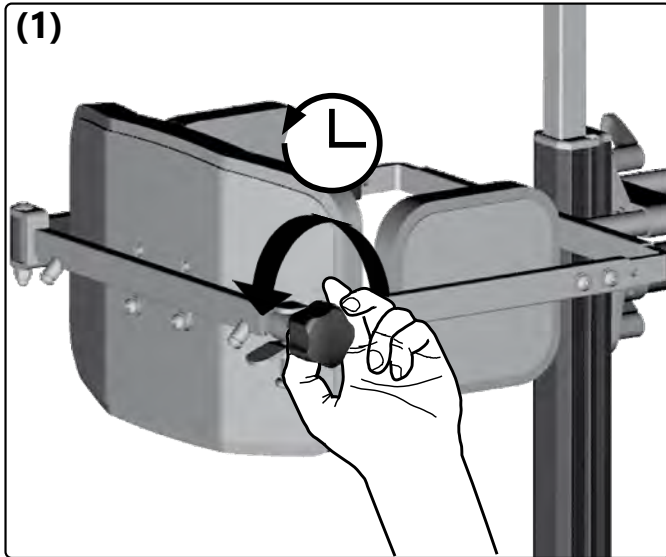
3.1.3 Posterior truss pad swivel bracket

Set height:

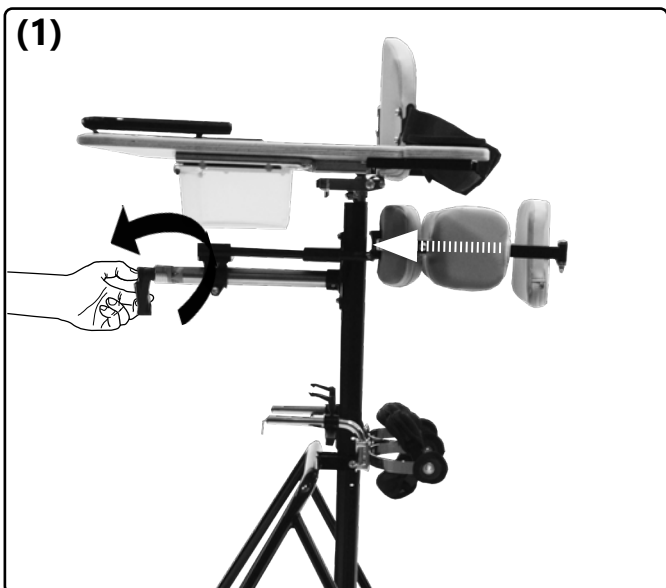


3.1 Handling posterior truss pad

Open (to close, proceed accordingly in reverse order):



Set depth on posterior truss pad with swivel bracket and crank:



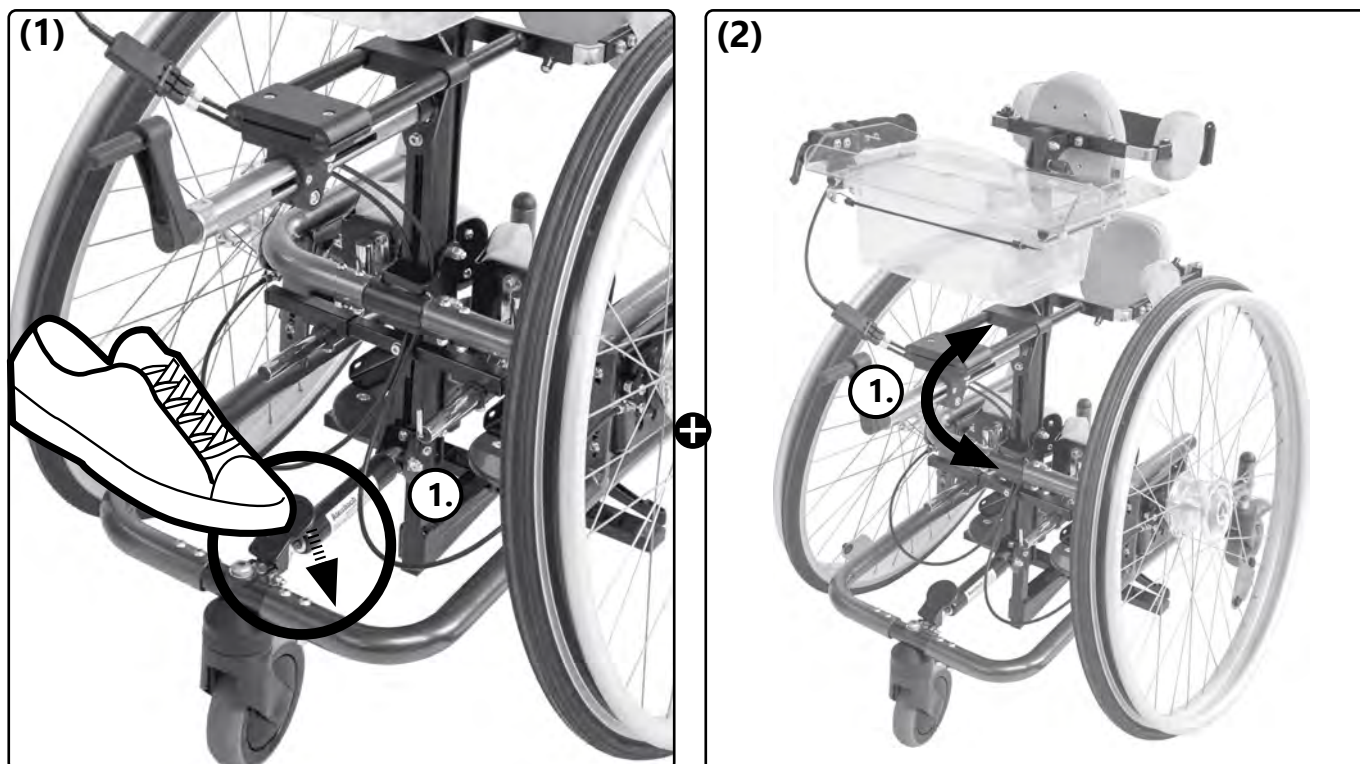
3.2 Handling centre column

3.2.1 General information regarding centre column

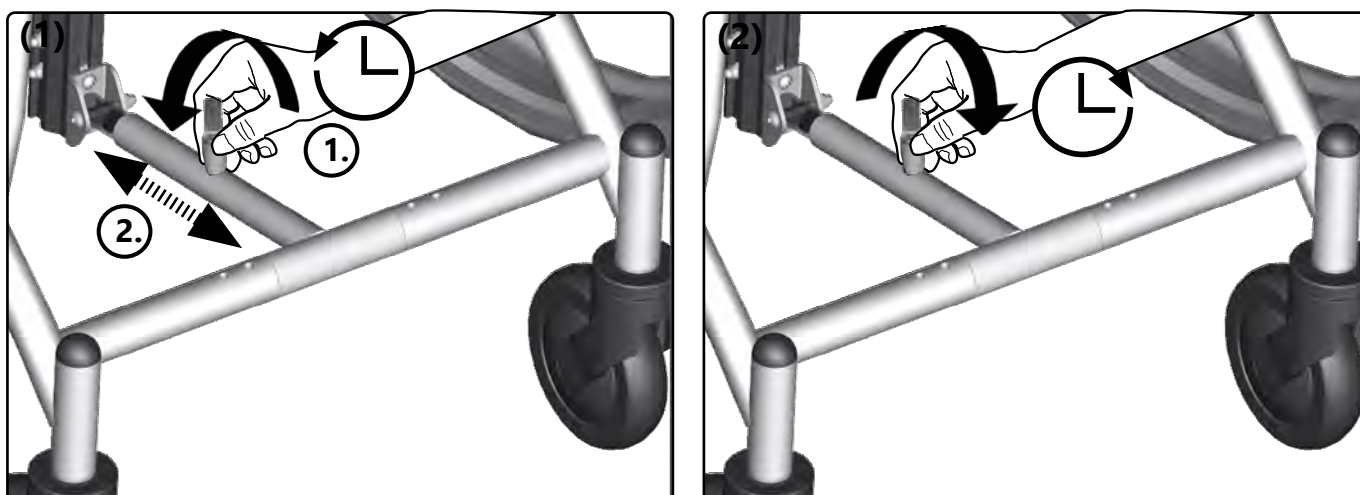
In order to adjust the angle with the gas pressure spring, the occupant and/or the centre column must be held using both hands while the tripping lever is actuated, since otherwise the occupant could tilt forwards abruptly and injure themselves.

The angle may only be adjusted with telescope and clamp lever if there is no occupant in the standing trainer.

Angle adjustment with gas pressure spring:



Telescope and clamp lever angle adjustment:

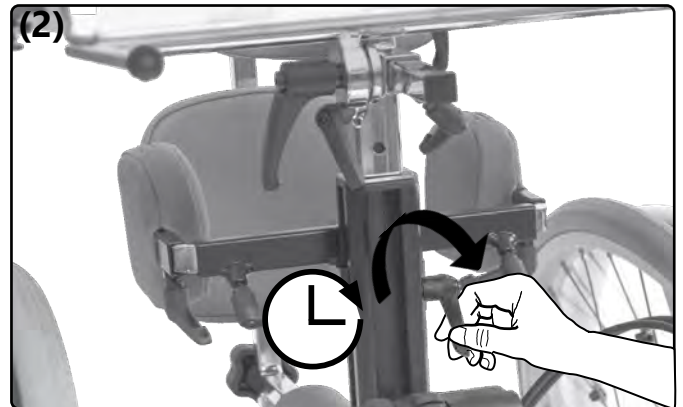
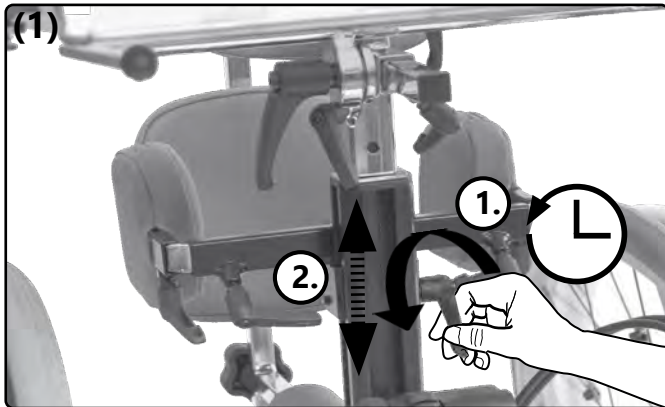


3.3 Handling pelvic truss pad

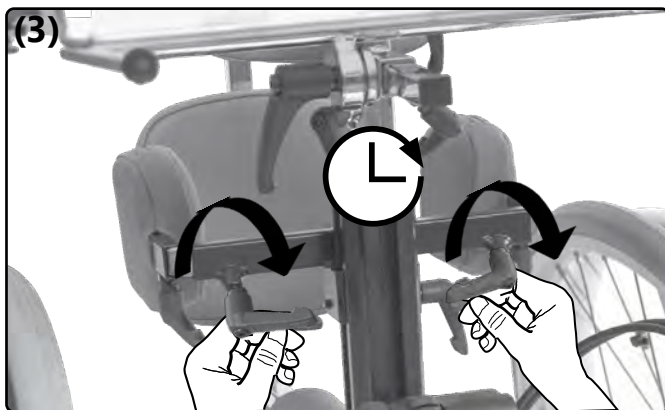
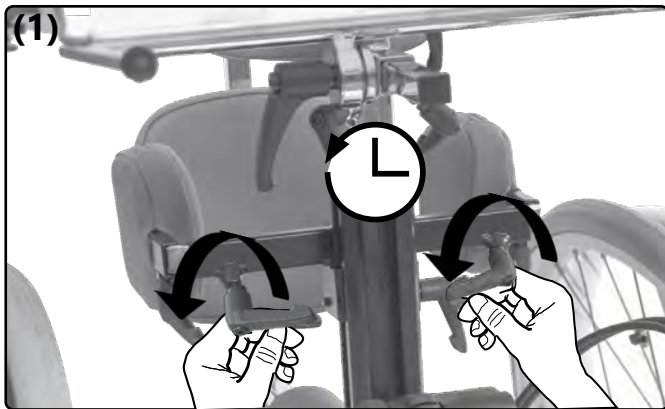
3.3.1 General information regarding pelvic truss pad

The truss pads can be optionally equipped with setscrews or clamp levers.

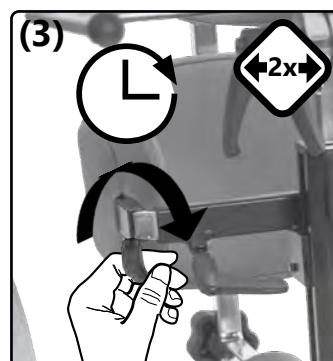
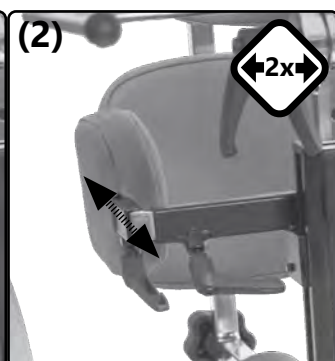
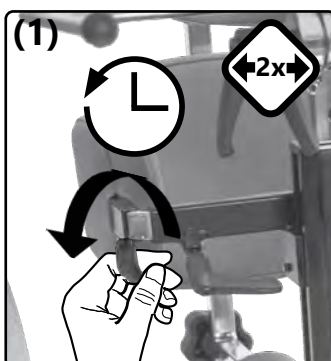
Set height:



Set width:



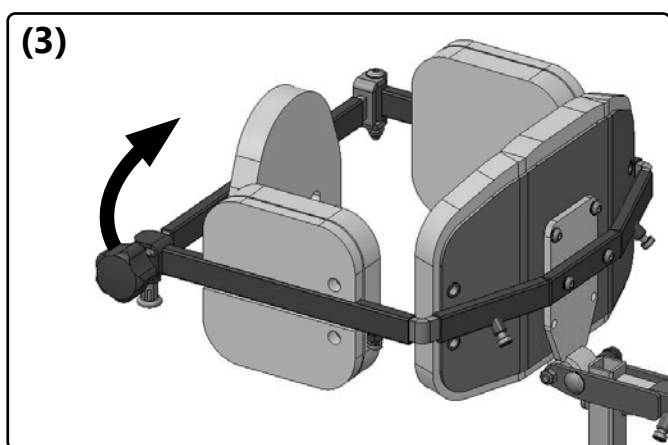
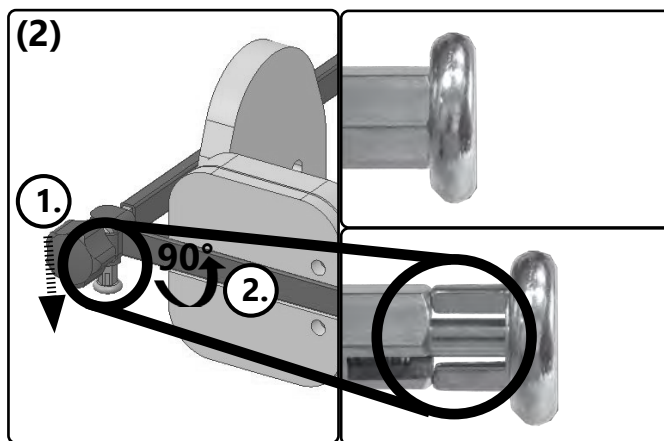
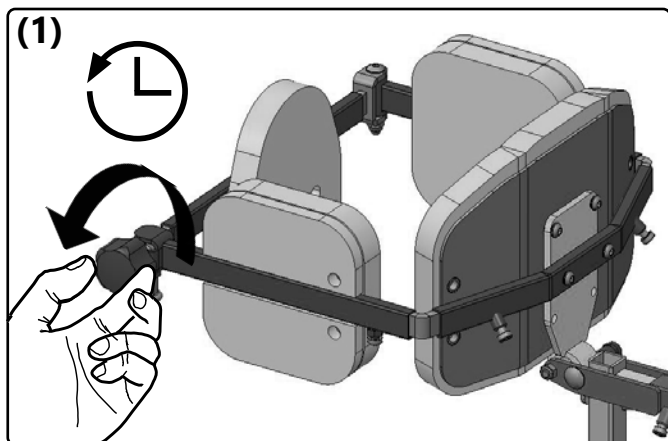
Set depth:



3.4 Handling back truss pad

3.4.1 General information regarding back truss pad

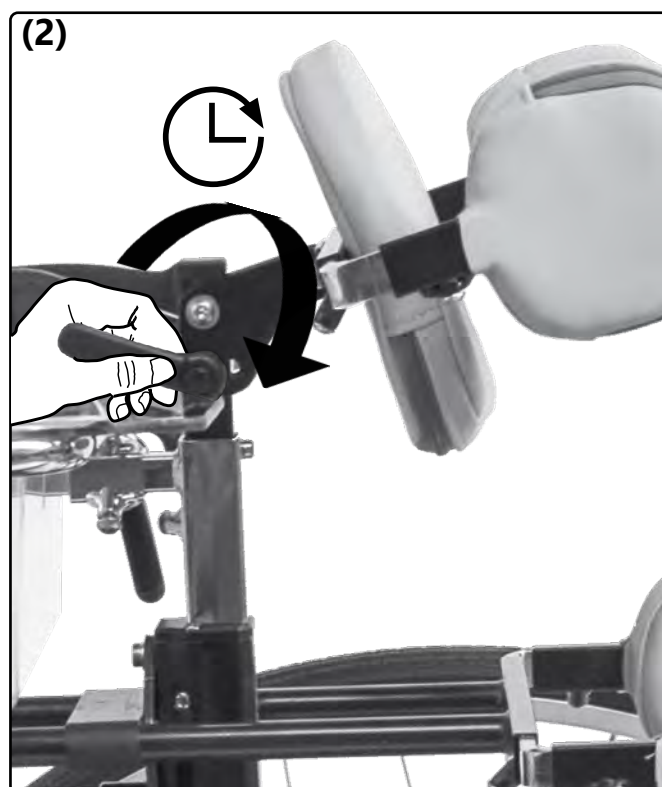
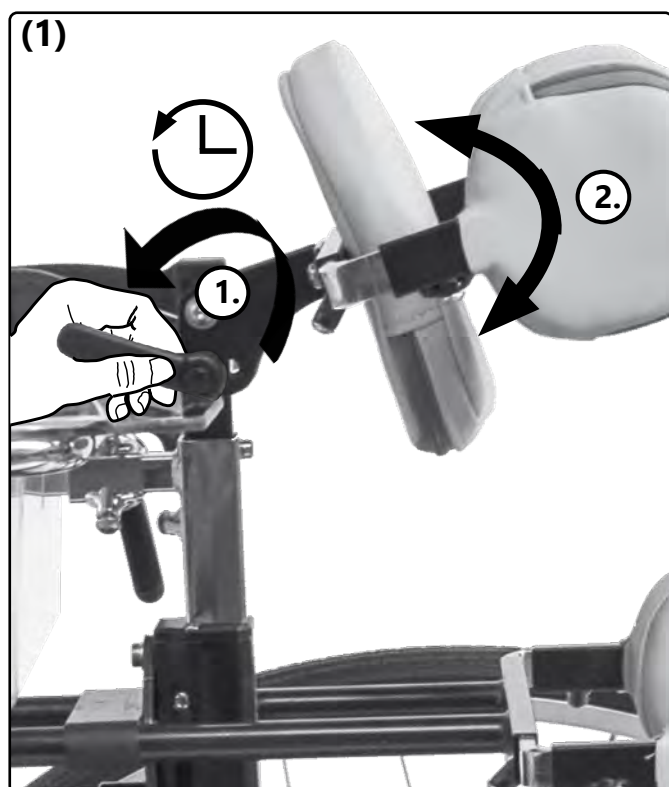
Open (to close, proceed accordingly in reverse order):



3.5 Handling chest pad

3.5.1 General information regarding chest pad

Set inclination:



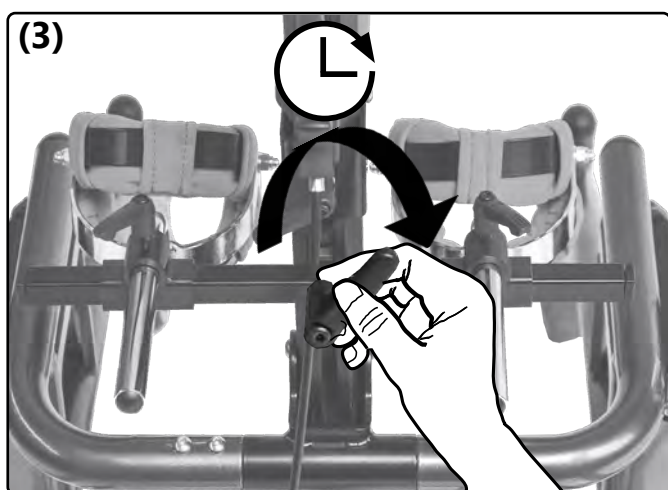
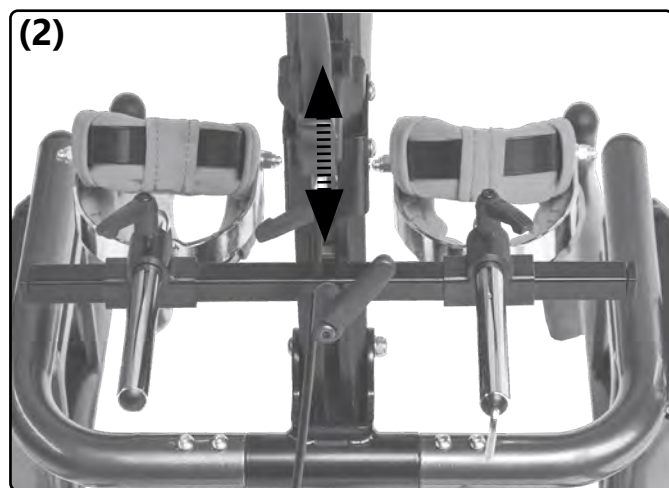
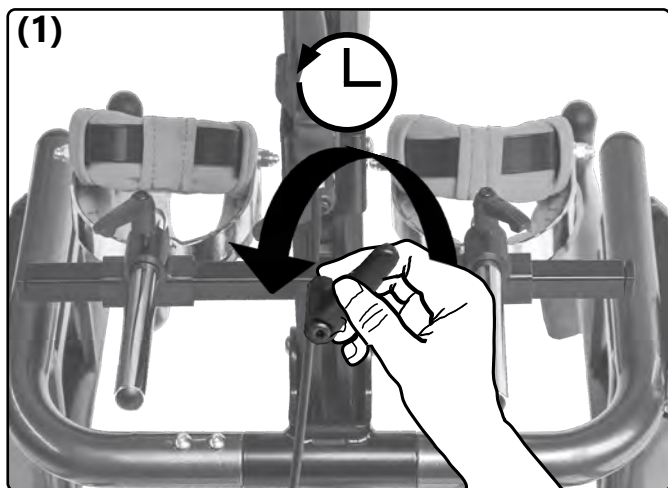
3.6 Handling knee truss pad

3.6.1 General information regarding knee truss pad

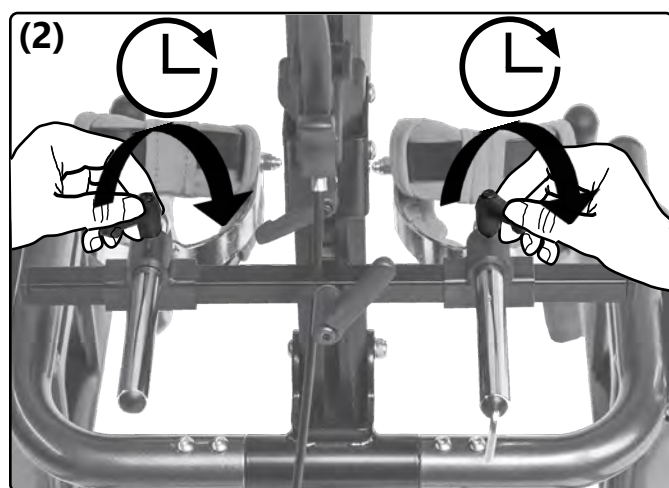
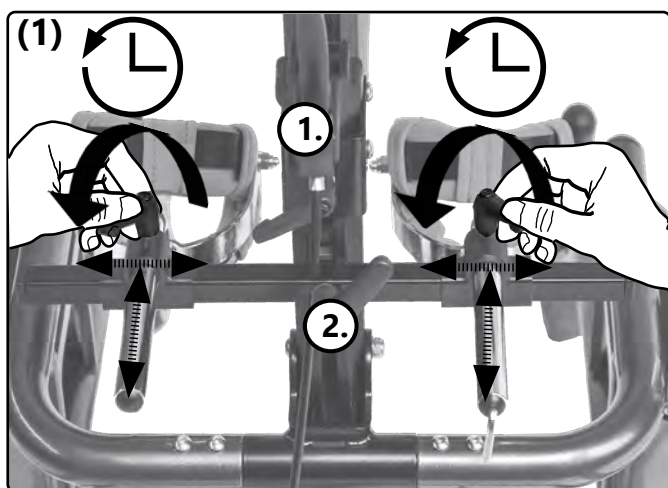
The width of the knee truss pads must be set to the individual dimensions of the occupant before use. Only fine adjustments may then be made.

3.6.2 Knee truss pads

Set height:



Set depth/ distance:



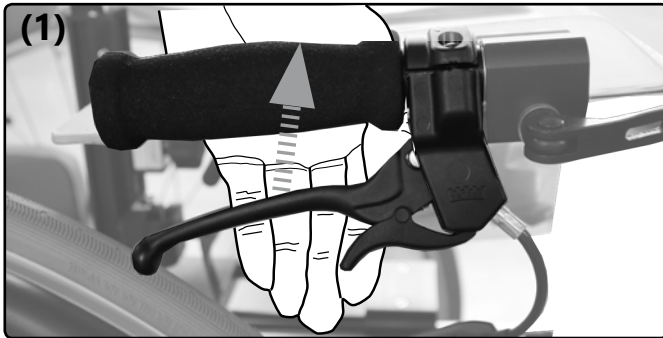
3.7 Handling brake

3.7.1 General information regarding brakes

Always use the rear swivelling caster brake additionally when locking the standing trainer.

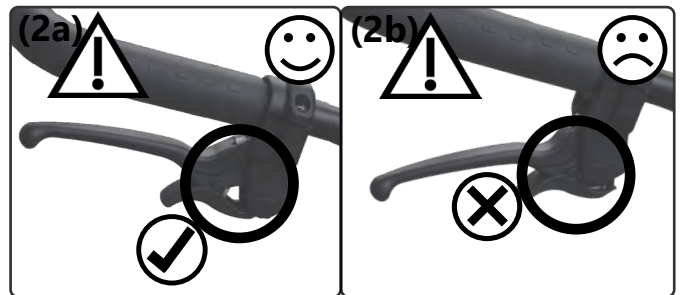
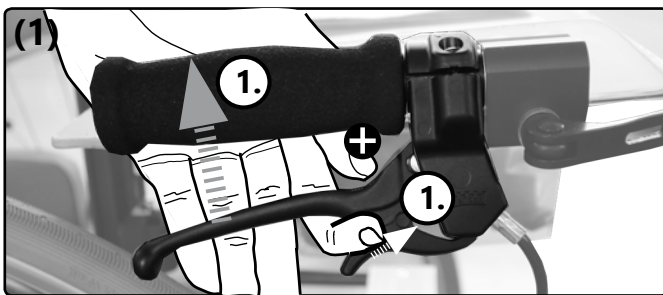
3.7.2 Drum brake

Brake:

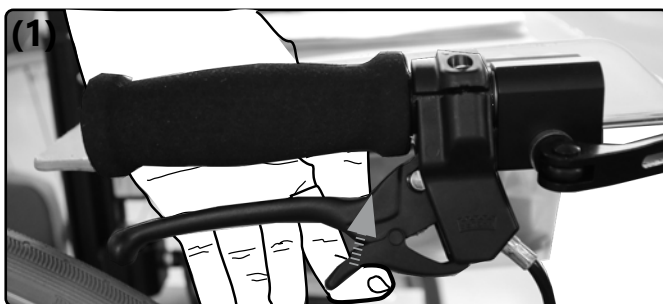


Clean the braking elements of the drum brake wheels at short intervals using a soft brush.

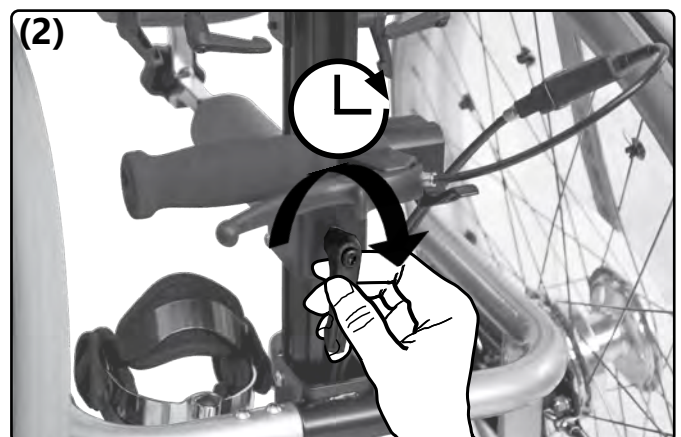
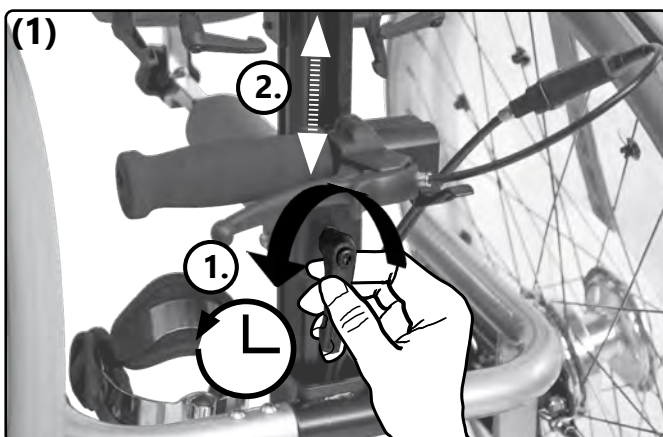
Lock:



Release:



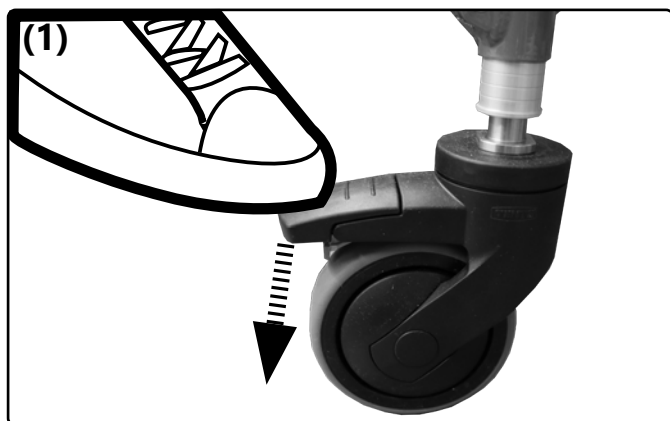
Shift:



3.7 Handling brake

3.7.3 Rear swivel casters with wheel lock

Lock (to release, proceed accordingly in reverse order):



3.8 Handling driving wheel

3.8.1 General information regarding wheels

Handrim covers can stretch when exposed to heat and become detached from the handrim.

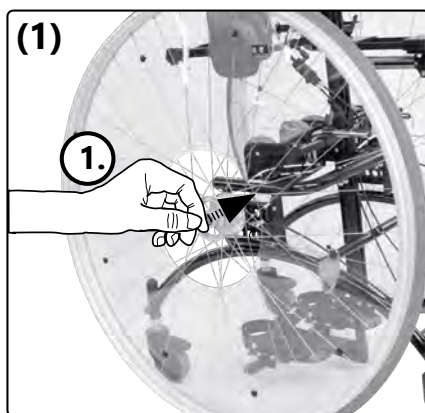
You can find the right operating pressure on the tyre casing - usually 3-10 bar. **(1)**

If the tyre is flat, please contact your specialist dealer.

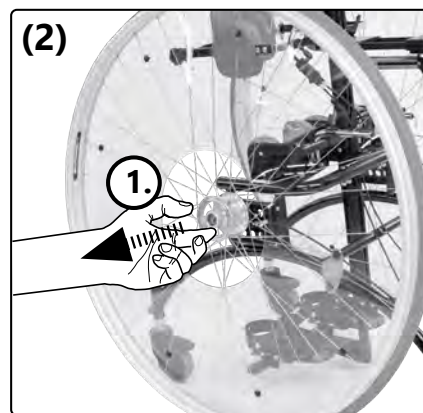


3.8.2 Quick-release axles

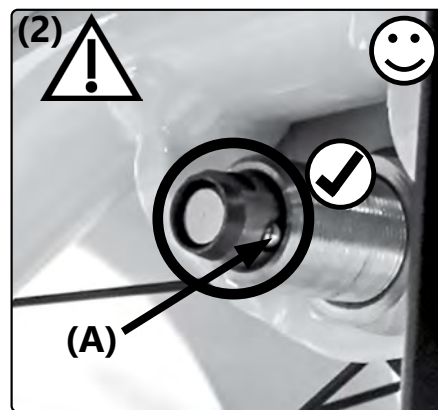
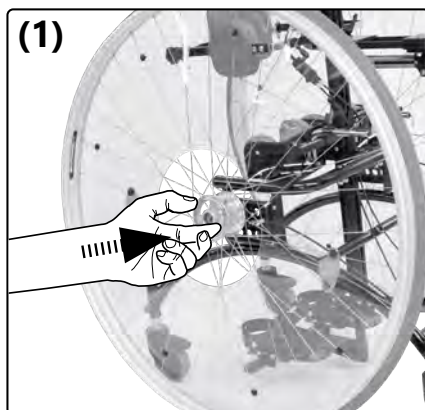
Remove:



+



Insert:

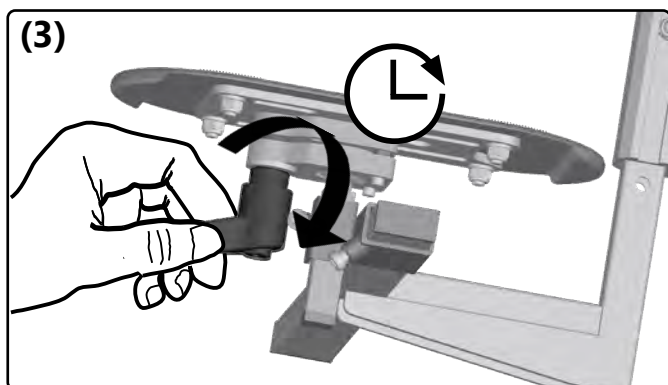
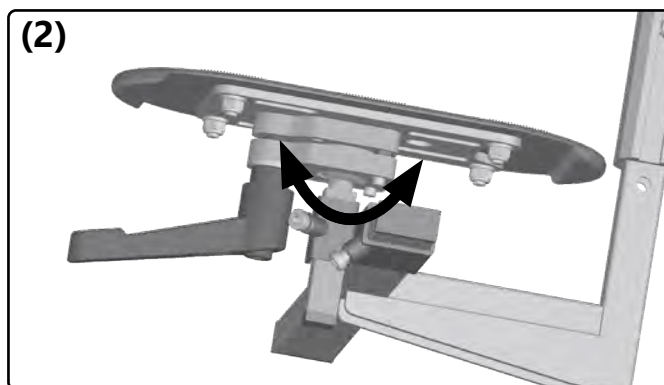
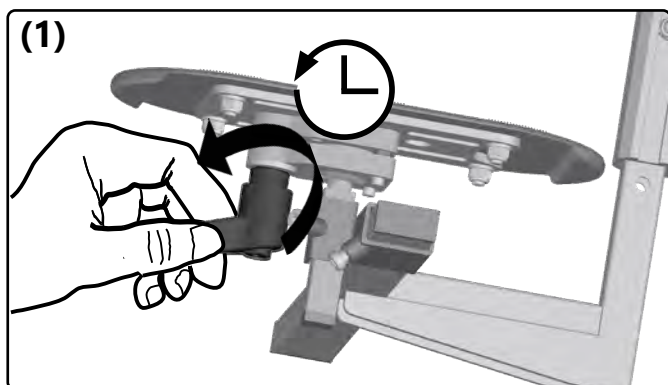


(2) After insertion, the locking ball **(A)** must be visibly protruding. Pull at least 1x after each insertion to test whether the quick-release axle is engaged. It should no longer be possible to pull the wheels outwards.

3.9 Handling footrest

3.9.1 General information regarding footrest

3D footrest angle adjustment:

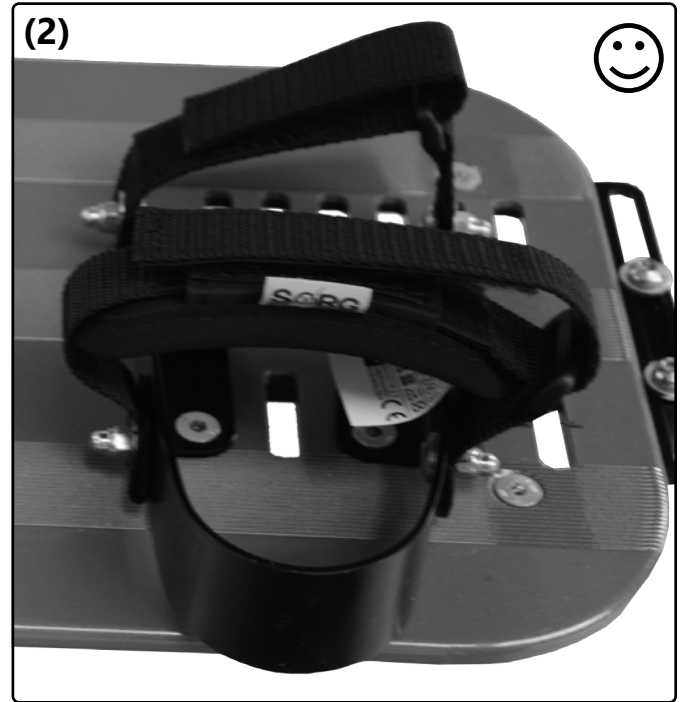
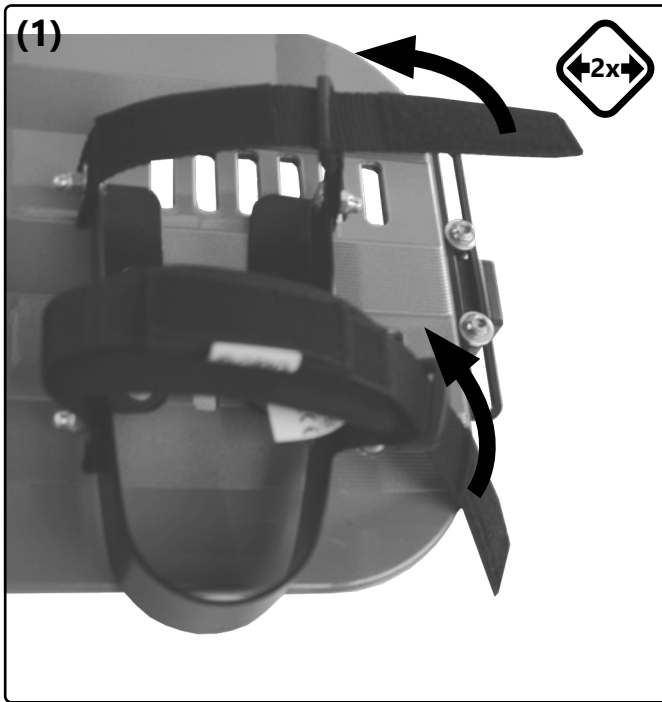


Firmly close the clamp lever and check the fixed position of the footrest.

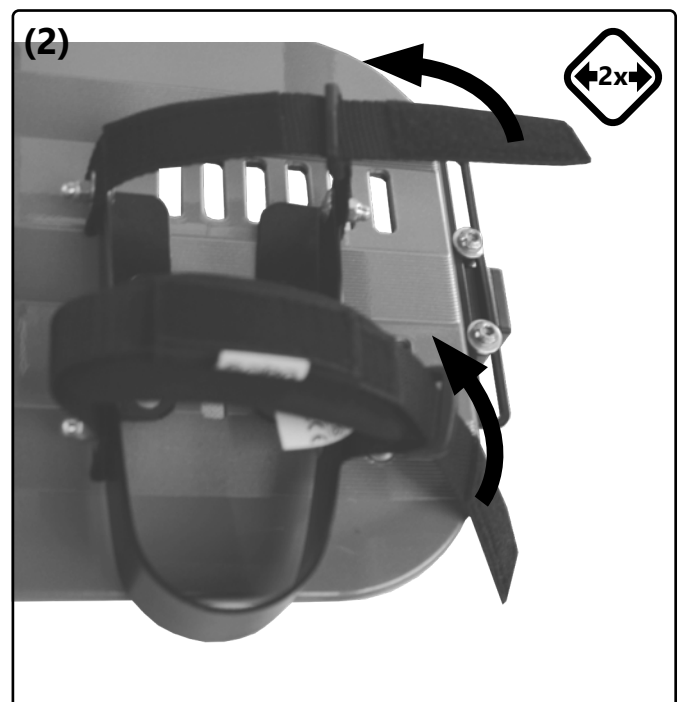
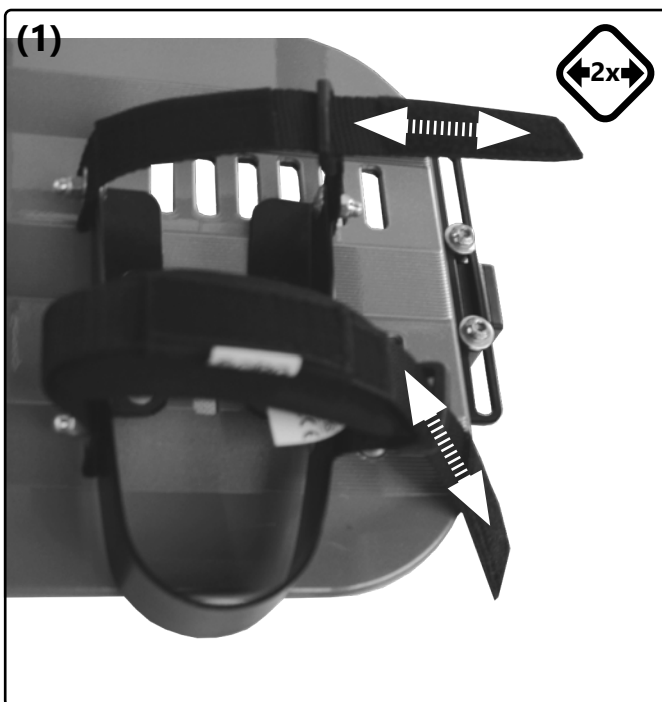
3.9 Handling footrest

3.9.2 Foot plate belt

Close (to open, proceed accordingly in reverse order):



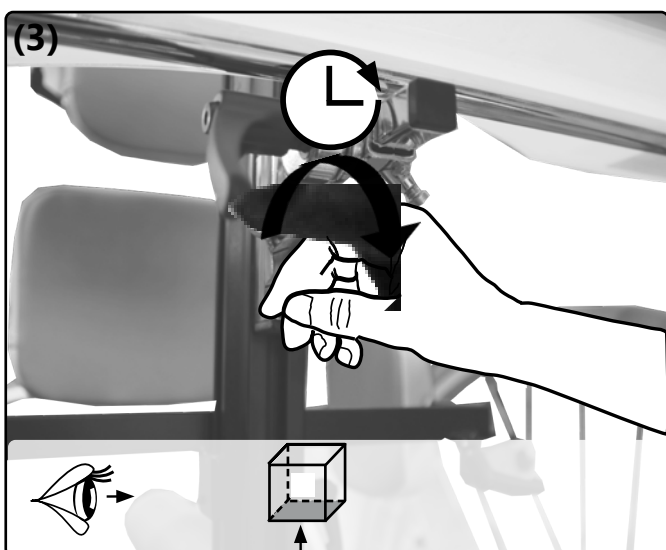
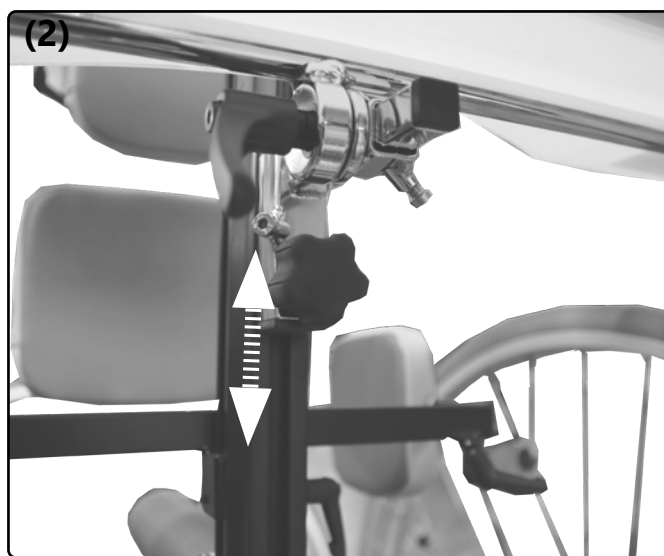
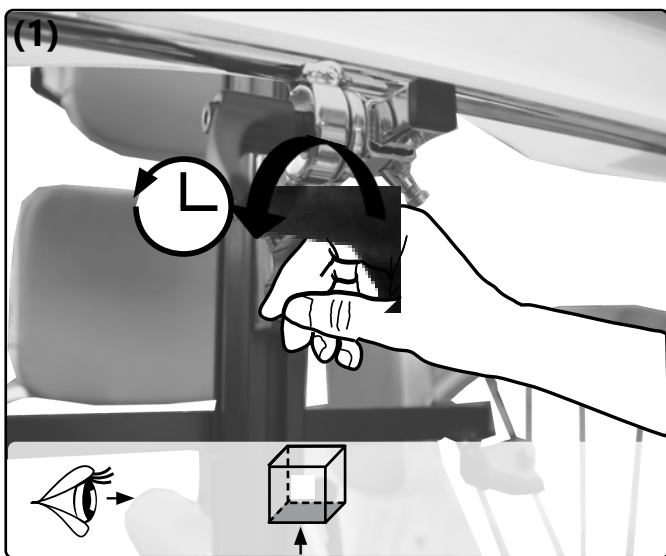
Tensioning/slackening:



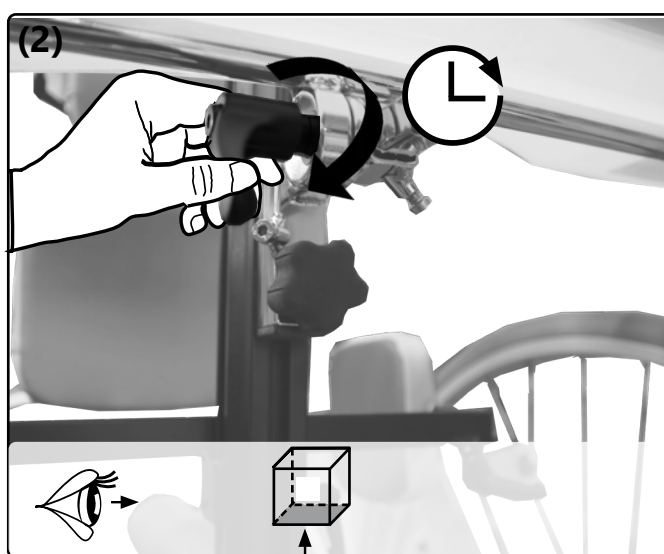
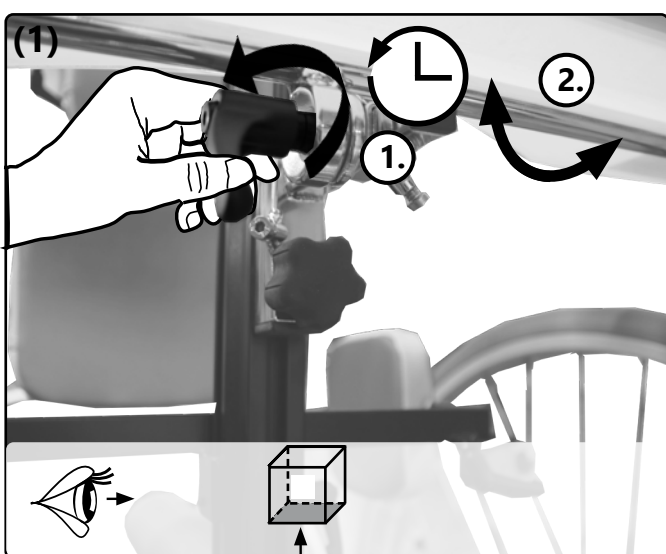
3.10 Handling therapy table

3.10.1 General information regarding therapy table

Set height of the therapy table on the centre column:



Set inclination:



4 Repairs and maintenance

4.1 Repairs

Repairs must only be carried out by a specialist dealer.

4.2 Spare parts

Only original replacement parts may be used. These can be obtained from your specialist dealer.

The replacement parts list can be downloaded from www.sorgrollstuhltechnik.de or requested from us.

Please indicate the serial number of your standing trainer to ensure correct replacement part delivery. This can be found on the nameplate on the frame.

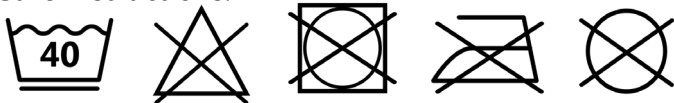
4.3 Maintenance

Regularly clean the mobile standing device and all components using a mild, water-based household detergent and then dry thoroughly.

Also clean the driving and swivel casters and remove dirt and impurities (e.g. hair etc.) from the axles.

Washing textile parts:

Care instructions:



Wipe down imitation leather, belts and other upholstery:

Care instructions:



4.4 Disinfection

Cleaning must be carried out before each disinfection. Use a household water-based agent for disinfection. Please observe the application instructions of the respective manufacturer.

4.5 Storage

- Carry out cleaning
- Pack detachable textile parts in foil or the like, if necessary
- Secure the mobile standing device against rolling away and contamination
- Storage in a dry place without aggressive environmental influences

4.6 Lifespan

The expected lifespan, depending on the intensity of use and the number of re-uses, is 5 years. For this purpose, the product must be used within the intended purpose and intended use, the instructions in the instructions for use must be followed and all maintenance and service intervals must be observed.

The product can be used beyond this period if it is in a safe condition. This theoretical lifespan is not a guaranteed lifespan and is subject to a case-by-case check by specialist retailers, as is reusability.

Use beyond the specified lifespan leads to an increase in residual risks and should only be carried out after careful and qualified consideration by the operator.

The lifespan can also be shortened depending on the frequency of use, the environment and care. The usual service life does not refer to wear parts such as textile parts, wheels and plastic parts that are subject to material-specific aging and / or wear. This specified service life does not constitute an additional guarantee or guarantee.

4.7 Reinstatement

Before reuse, a full inspection according to the checklist must be carried out by a specialized retailer. All disinfection measures for reuse must be carried out according to a validated hygiene plan.


4.8 Disposal

The wheelchair may only be disposed of with the approval of the benefactor. Disposal of the wheelchair must be in accordance with the applicable national regulations.

4.9 Maintenance/Inspection

For safety reasons and to maintain product liability, an inspection by your retailer is required at least once a year. This must be carried out and documented according to the following checklist.

Checklist maintenance and care (user)

 A poor or neglected maintenance of the wheelchair represents a significant safety risk.

Before each use:

Please check:

- frame, back tubes, mounting parts and accessories for visible damages, deflections, cracks or missing/loose screws,
- wheels/quick release axles for firm fit,
- the airpressure of the tires, tire tread,
- the function of the brakes,
- firm fit of the angle adjustments/eccentric clamps,
- firm fit of seat plate/back/foot plate,
- the function of the anti-tipper/seat and back straps,
- if all previously dismantled parts are put on again or firmly locked.


Every 3 months:

(depending on use, earlier)

Please check:

- screws for firm fitting
- welds, attachments and accessories for hidden damages, deflections or cracks
- tire tread
- the firm fit of third-party systems (if available)

Clean the wheelchair and oil all moving parts.

 If you notice any defects during maintenance, please contact your specialist retailer immediately and do not use the wheelchair anymore.

Checklist yearly inspection (specialized retailer)

Template (available for download at www.sorgrollstuhltechnik.de/downloadportal)

Preparatory Work

- cleaning done

Check:

- Frame, back, mounted parts and accessories checked for damage, bends, cracks and corrosion,
- all fixing screws checked for firm fit and completeness,
- casters and rear wheels as well as the associated attachments checked for good condition, functionality and proper running qualities,
- spokes checked for firm fit and completeness,
- brakes cleaned and maintained,
- Locking mechanisms (tripod springs of push handles, quick-release axles, eccentric clamps, etc.) checked for functionality,
- anti-tipper checked for firm fit and functionality.

Oiling:

- moving parts and bearings oiled

Final check:

- functional check of all mechanical adjusting devices carried out.

5.1 Data and dimensions

Model: Boogie Drive
Type: 884

All measurements $\pm 5\%$

Frame size	Size 1			Size 2			Size 3		
Body height	80-110 cm			100-130 cm			120-150 cm		
Frame width	36 cm (+4 cm growable)			40 cm (+4 cm growable)			44 cm (+4 cm growable)		
Possible wheel sizes	24"x1" ø58 cm	26"x1" ø63 cm	28"x1" ø68 cm	28"x1" ø68 cm	30"x1" ø75 cm	32"x1" ø80 cm	32"x1" ø80 cm	36"x1" ø90 cm	
Distance at the top between the wheels in case of camber:	0°	/	/	/	/	/	/	58 cm	58 cm
	3°	44 cm	44 cm	43 cm	55 cm	54 cm	54 cm	55 cm	54 cm
	6°	42 cm	41 cm	40 cm	52 cm	50 cm	50 cm	51 cm	49 cm
	9°	40 cm	38 cm	37 cm	49 cm	47 cm	46 cm	48 cm	45 cm
	12°	37 cm	35 cm	33 cm	46 cm	44 cm	42 cm	/	/
Clearance width*1 in case of frame extension + 4c and camber:	0°	/			/			71 cm	
	3°	62 cm			74 cm			75 cm	
	6°	65 cm			77 cm			79 cm	
	9°	69 cm			81 cm			84 cm	
	12°	72 cm			85 cm			/	
Maximum length*2	78 cm			85 cm			93 cm		
Centre column inclination	0° to 15°								
Distance footrest/ Handrim top	39-47 cm	44-52 cm	49-57 cm	49-57 cm	56-64 cm	61-69 cm	61-69 cm	71-79 cm	
Distance footrest/ Elbow maximum	47 cm	52 cm	57 cm	57 cm	64 cm	69 cm	71 cm	81 cm	
Weight min.*3	18.9 kg			20.4 kg			22.4 kg		
Tyres	Puncture proof polyurethane-tyres, solid rubber 1"								
Maximum load	60 kg (for all frame sizes)								
Usage life	3 years in case of non-excessive strain								
Service life	5 years								

*1 measured at the bottom at the widest point on the outer edge of the handrims

*2 measured with the driving wheels in the frontmost position of the axle plate

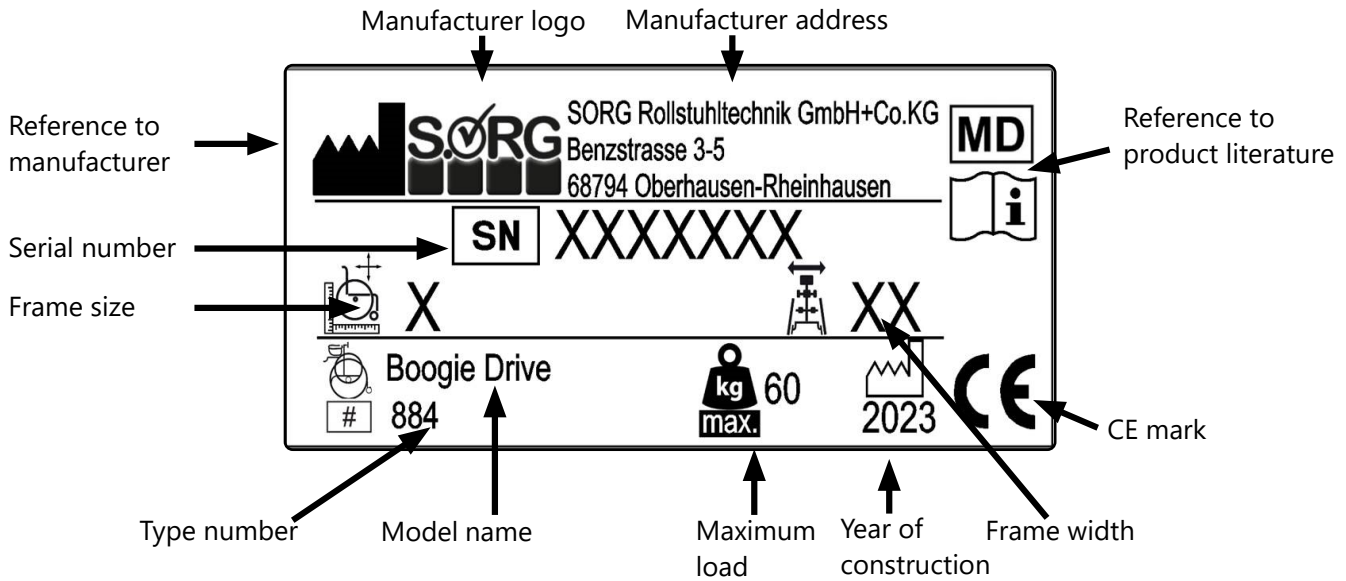
*3 frame with the smallest wheel size, footrest, knee, posterior and chest truss pads

5.2 Meaning of labels

The meaning of the individual labels can be directly derived from the text at the corresponding position.

A new nameplate can be obtained from SORG Rollstuhltechnik if the original one is lost or damaged.

Typeplate:



5.3 Declaration of conformity

SORG Rollstuhltechnik declares that the product Boogie Drive a class 1 device is and it complies with the EU regulation (EU) 2017/745 on medical devices.

This was confirmed by a conformity assessment procedure according to the medical product guidelines.



If the product is not modified with SORG Rollstuhltechnik, this declaration will lose its validity.

6 Verification of yearly inspection

Documentation yearly inspection

An inspection must be carried out by your specialist dealer at least once a year for safety reasons and to preserve the product warranty.

Serial number: _____

- yearly inspection conducted according to check list (year 2)

Remarks:

Stamp:

 Date/ Retailer's signature

- yearly inspection conducted according to check list (year 2)

Remarks:

Stamp:

 Date/ Retailer's signature

- yearly inspection conducted according to check list (year 3)

Remarks:

Stamp:

 Date/ Retailer's signature

- yearly inspection conducted according to check list (year 4)

Remarks:

Stamp:

 Date/ Retailer's signature

- yearly inspection conducted according to check list (year 5)

Remarks:

Stamp:

 Date/ Retailer's signature

Instructions for use Boogie Drive



SORG Rollstuhltechnik GmbH + Co. KG
Benzstrasse 3-5
68794 Oberhausen-Rheinhausen / Germany
Germany
Phone +49 7254 9279-0
Fax +49 7254 9279-10

info@sorgrollstuhltechnik.de
www.sorgrollstuhltechnik.de

company stamp