



## Tiltable seat shell base for children, adolescents and adults



### Included in the base price:

- Seat tilt function from -5° up to +35° or from +2,5° up to +40°
- Frame with 10 abduction
- Pneumatic or flat free tyres
- Back adaptable to seat shell from 90° to 120° and completely stowable
- Seat width growable by 4 cm
- Drum brake, controllable by attendant

Quotation

Order

Weight capacity: 120 kg

Delivery address / Company stamp:	Billing address: <input type="checkbox"/> same as delivery address
Name:	Name:
Address:	Address:

Ordering information:	
Reference/ internal description:	Date:
Contact person:	Signature:

Please select model:



<input type="checkbox"/> Loop <sup>SORG</sup> with push rim drive German aid index N°: 26.99.01.1078	<input type="checkbox"/> Loop <sup>SORG</sup> with 12"- or 16"-wheels German aid index N°: 26.99.01.1045
N° 137601 Base price 2.975,- €	N° 137602 Base price 2.975,- €

Prices excl. VAT, valid from 15.01.2024 and until further notice.

<b>Frame width</b> Usable width = frame width + 4 cm (cf. measures on next page)			
<b>Size 1</b> (N° 1301), suitable from SD 32	<b>Size 2</b> (N° 1302), suitable from SD 38	<b>Size 3</b> (N° 1303), suitable from SD 44	<b>Back height</b>
Frame width: <input type="checkbox"/> 30 cm <input type="checkbox"/> 34 cm <input type="checkbox"/> 38 cm <input type="checkbox"/> 42 cm	Frame width: <input type="checkbox"/> 34 cm <input type="checkbox"/> 38 cm <input type="checkbox"/> 42 cm <input type="checkbox"/> 46 cm	Frame width: <input type="checkbox"/> 38 cm <input type="checkbox"/> 42 cm <input type="checkbox"/> 46 cm <input type="checkbox"/> 50 cm	<input type="checkbox"/> 43 cm <input type="checkbox"/> 50 cm
N° 13..	N° 13..	N° 13..	

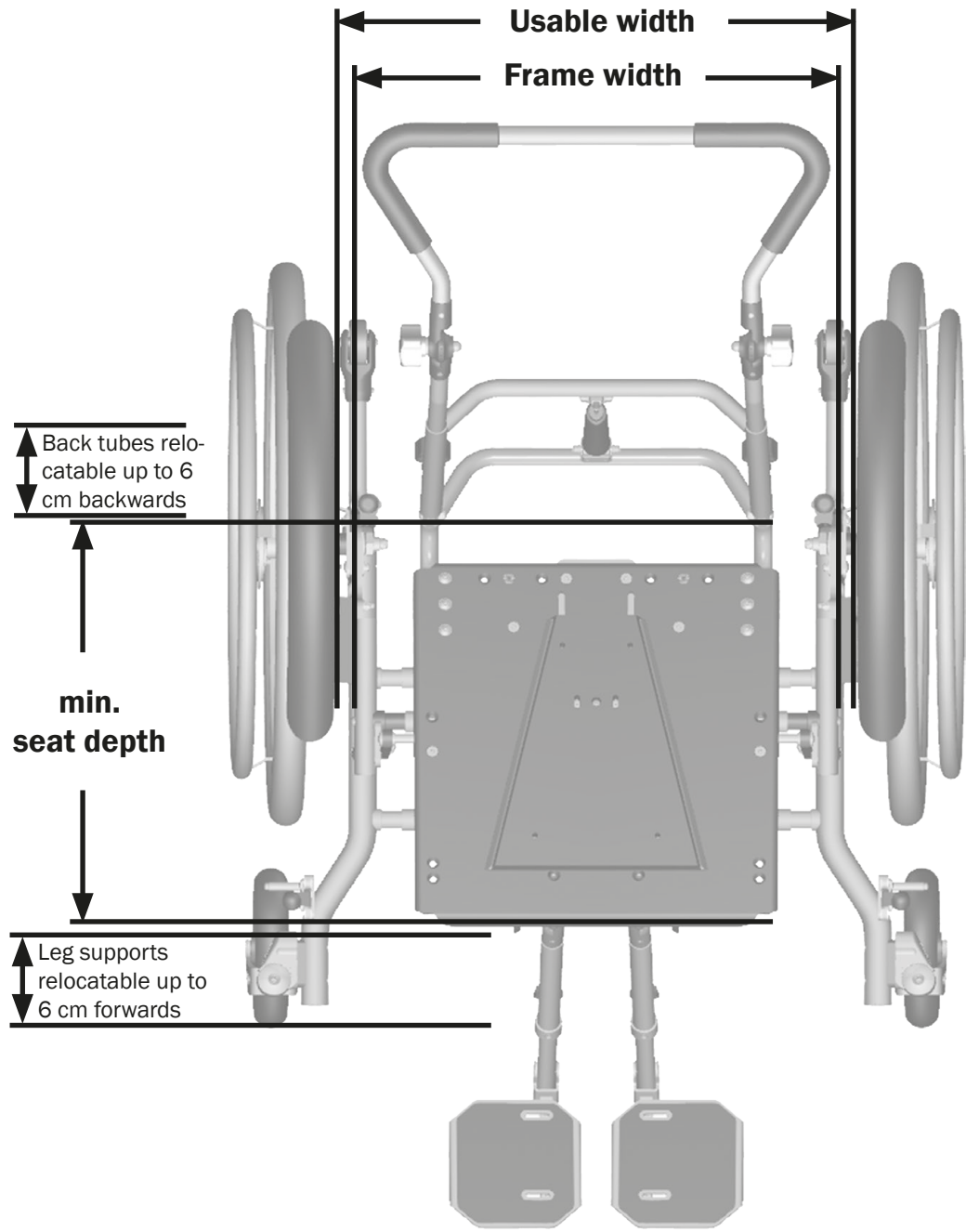
<b>Frame equipment</b>	<b>Frame arches</b>	<b>Rigid frame</b>	<b>Lower leg length</b>
<b>Additional gas pressure spring</b>	<b>for closed frame</b>	<b>for increased torsional stiffness</b>	Please indicate both measures:
<input type="checkbox"/> Necessary from a user weight > 75 kg or from frame width 42.	<input type="checkbox"/> Frame arches for a closed frame. The frame arches will be coated in the frame color.	<input type="checkbox"/> Firmly welded frame	1. Real lower leg length of the user: _____cm
<b>Possible from frame width 38</b>	<b>Increases the stability of the frame</b>	<b>Frame does not grow with the width.</b>	2. Cushion thickness: _____cm
N° 192501 398,- €	N° 597699 CPD 375,- €	N° 597695 419,- €	

<b>Frame colors and color anodization Design package</b>			
<b>Finish alternatives</b>	<b>Moderate metallic effect</b>	<b>Not metallic</b>	<b>Special colors (without additional charge, except for Nightblue)</b>
<input type="checkbox"/> Shiny <b>incl.</b>	<input type="checkbox"/> Cream white (17) <input type="checkbox"/> Brilliant Blue (08) <input type="checkbox"/> Zinc yellow (02) <input type="checkbox"/> Dark Blue (16) <input type="checkbox"/> Chrome yellow (06) <input type="checkbox"/> Dark Green (15) <input type="checkbox"/> Pure Orange (21) <input type="checkbox"/> Goblin Green (33) <input type="checkbox"/> Crimson (04) <input type="checkbox"/> Titan Grey (34) <input type="checkbox"/> Girly Pink (19) <input type="checkbox"/> King's Blue (32) <input type="checkbox"/> Pastel Blue (20)	<input type="checkbox"/> Black (31)	<b>strong metallic effect:</b> <input type="checkbox"/> Silver metallic (36) <b>Coarse structured surface:</b> <input type="checkbox"/> Coarse Black (27) <b>Dormant colors:</b> <input type="checkbox"/> Firered Dormant (45) <input type="checkbox"/> Violet Dormant (50) <b>Dormant color with additional charge AC 90,-€</b> <input type="checkbox"/> Nightblue Dorm. (47)
<input type="checkbox"/> Matt <b>Not possible with special colors!</b>			
N° 1561 90,- €			



<b>Design package color anodization (Color examples for anodized colors can be found on our website in the area equipment)</b>	
<input type="checkbox"/> anodized Blue (01) <input type="checkbox"/> anodized Red (02) <input type="checkbox"/> anodized Green (03) <input type="checkbox"/> anodized Gold Orange (04) <input type="checkbox"/> anodized Violet (05)	The following parts are anodized: Assembly group caster (fork, caps, adapter, half shells, wheel spacer), profile pipe support for push bow, hand rims <b>The design package ist only possible in the listed setting.</b>
N° 1573.. CPD 295,- €	<b>Restrictions:</b> The hand rims are only available in the design package anodized colors by choosing aluminum hand rims. (not possible with stainless steel, Maxgrepp, PVC, double, nob or ergonomic hand rims. Also not possible with profile wheels). Profile pipe support is only available in the design package anodized by choosing push bow.




<b>Seat system</b>			
<b>Seat support</b>	<b>Seat shell adapter</b>	<b>Universal support for competitors seat shell adapter</b>	<b>Child-proof lock</b>
<input checked="" type="checkbox"/> Seat plate with tilt function Please tick tilting angle: <input type="checkbox"/> -5° to +35° (..00) <input type="checkbox"/> +2,5° to +40° (..01)	Universal adapter two-piece <input type="checkbox"/> for framesize 1 (..63) <input type="checkbox"/> for framesize 2+3 (..05)	<input type="checkbox"/> Universal support for competitors seat shell adapter suitable for: - Berollka-aktiv - Rehatec - Schuchmann	<input type="checkbox"/> Child-proof lock for tilting mechanism. <b>Recommended for very active children</b>
N° 1927.. 0,- €	N° 19.. 299,- €	N° 196400 92,- €/Pcs	N° 1940 63,- €

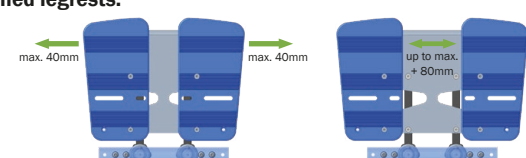
Frame width	Usable width	Total width	min. seat depth
= Distance between the outer edges of the upper frame tubes  The frame is growable by 4 cm in width.	= Distance between the inner edges of the cloth guard  Frame width + 4 cm	= Frame width + 26 cm at 2° camber with drum brake hub (Mounting of transport brackets increase the total width by 1cm)	Frame size 1 = from 32 cm Frame size 2 = from 38 cm Frame size 3 = from 44 cm  Back tubes relocatable up to 6 cm backwards Leg supports relocatable up to 10 cm forwards







To see the latest versions of our order forms, please visit [www.sorgrollstuhltechnik.de/download-portal](http://www.sorgrollstuhltechnik.de/download-portal)



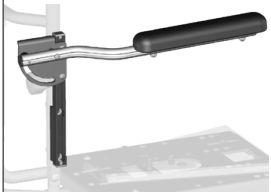

Back unit				
Back angle	Back angle	Back guide standard	Back guide wide	Activation of back angle
<input type="checkbox"/> Mechanically adjustable through raster from 90°-120°, completely stowable <b>Attention! Anti-tipper required (danger of tipping!)</b>	<input type="checkbox"/> Steplessly adjustable in angle through gas pressure spring from 90°-120° and completely stowable Activation via lever at the gas pressure spring <b>Attention! Anti-tipper required (danger of tipping!)</b>	<input type="checkbox"/> Central back guide, for seat shell 	<input type="checkbox"/> Central back guide, with adapter, e.g. for seat shells with physiological pivot point 	<input type="checkbox"/> Activation of the gas pressure spring back (N° 600308) by handle and bowden cable mounted at the push handle
N° 600305      0,- €	N° 600308      120,- €	N° 600310      245,- €	N° 600311      315,- €	N° 600309      45,- €

Leg support foot plate depth 150 mm and 230 mm								
Standard			Adjustable in angle			Adjustable in angle		
Undivided foot plate, foldable backwards, rigid knee angle at 90° 			Undivided foot plate, foldable backwards, knee angle adjustable from 80-180 			Divided foot plates, foldable backwards, knee angle adjustable from 80-180° 		
Possible distance top edge seat to top edge footplate: 13-49 cm			Possible distance top edge seat to top edge footplate: 12-50 cm			Possible distance top edge seat to top edge footplate: 12-50 cm		
Article name	Article-N°	Price	Article name	Article-N°	Price	Article name	Article-N°	Price
<input type="checkbox"/> Foot plate depth 150mm	N° 405501	0,- €	<input type="checkbox"/> Foot plate depth 150mm	N° 405503	80,- €	<input type="checkbox"/> Foot plate depth 150mm	N° 405530	120,- €
<input type="checkbox"/> Foot plate depth 230mm	N° 405502	50,- €	<input type="checkbox"/> Foot plate depth 230mm	N° 405504	130,- €	<input type="checkbox"/> Foot plate depth 230mm	N° 405531	170,- €

Width adjustable foot plate	
Width adjustable by up to 80 mm (depending on model and configuration)	
<b>Surcharge item for the above mentioned legrests.</b> <input type="checkbox"/> Continuous foot plate, depth 230 mm. Offers the option of setting the maximum usable width individually. - Only in combination with N° 405502 and 405504 - Not in combination with heel edge 	
N° 405514	AC 165,- €




Leg support swing-back and removable, foot plate depth 150 mm				Leg Support Genex	
One piece	Divided	Articulating	All removable leg supports can be adjusted in width and are possible from a seat depth of 40 cm.  Not possible in combination with „Frame arches for closed frame“	Dynamic Leg support	
<input type="checkbox"/> with undivided foot plate, foldable sideways, leg support completely removable, swiveling outwards and adjustable in width. Possible distance top edge seat to top edge footplate: 26-45 cm 	<input type="checkbox"/> with divided foot plates, foldable sideways, leg support completely removable, swiveling outwards and adjustable in width. Possible distance top edge seat to top edge footplate: 26-45 cm 	<input type="checkbox"/> with divided foot plates, Swivelling and detachable with physiological pivotal point, hinged upwards from 93° to 180°, swiveling outwards and adjustable in width. Possible distance top edge seat plate to top edge footplate: 17-42 cm 		<input type="checkbox"/> Special spring mechanism to soothe spasticity or leg tone in all dimensions, foot plate hinged upwards. Knee angle resilient forward and backward. Possible distance top edge seat to top edge footplate: 26-41 cm. Minimum possible seat depth increase by 2 cm. Possible from frame size 2 	Not in combination with N° 4009 / N° 405509
N° 405507      165,- €	N° 405540      250,- €	N° 405505      310,- €		N° 4053	CPD 719,- €

Leg support options					
Locking at 90°	Heel cups	Universal holder	Calf rest (with holder)		
<input type="checkbox"/> For all leg supports with foot plates hinged backwards. N° 4009      64,- €	Heel cups, aluminum black for mounting on foot plate <input type="checkbox"/> size 1 12,5 x 8 cm (...31) <input type="checkbox"/> size 2 14,5 x 10 cm (...32) <input type="checkbox"/> size 3 16,5 x 12 cm (...33) N° 4020..      78,- €/P	<input type="checkbox"/> Leg support holder for 15 x 15 mm square-cut tube. Not suitable for SORG leg supports. N° 4006      127,- €	<input type="checkbox"/> for the angle-adjustable leg support N° 405530/31 Mounting: <input type="checkbox"/> left <input type="checkbox"/> right <input type="checkbox"/> pair (2 pcs.) recommended for seat plate depth 230mm. Possible distance top edge seat to top edge footplate: from 20cm. N° 403005      147,- €/Pcs	<input type="checkbox"/> for the leg supports N° 405505/06 Mounting: <input type="checkbox"/> left <input type="checkbox"/> right <input type="checkbox"/> pair (2 pcs.) Possible distance top edge seat to top edge footplate: from 20cm N° 403006      147,- €/Pcs	
<input type="checkbox"/> for leg support (N° 405507) N° 403910      80,- €	<b>Heel edge</b> <input type="checkbox"/> for all leg supports with foldable foot plate/s N° 405509      69,- €	<b>Belts for heel cups</b> <input type="checkbox"/> Matching belts to the selected heel cups (N° 4020..) N° 402015      108,- €/P			


Arm pads and Push bow				
Arm pad	Arm pad	Arm pad	Push bow	
<input type="checkbox"/> mounted at the seat shell, adjustable in height through raster  Arm pad is enclosed unmounted  	<input type="checkbox"/> mounted at the seat shell, 24 cm long, steplessly adjustable in height and angle  Arm pad is enclosed unmounted  	<input type="checkbox"/> mounted at the back tubes, adjustable in height and angle  	<input checked="" type="checkbox"/> <b>adjustable in angle, with steel joint</b> Please select mounting: <input type="checkbox"/> <b>Standard</b> Pushing height (..02) Pushing height ca. 90-100 cm (+ 15 cm at BH 50 cm) <input type="checkbox"/> <b>High</b> Pushing height (..03) Pushing height ca. 100 - 110 cm (+ 15 cm at BH 50 cm)  Push bow <b>shape:</b> Trapeze shape for seat width < 40   90° shape from seat width 42  	
N° 452506 <b>240,- €/P</b>	N° 452204 <b>220,- €/P</b>	N° 453100 <b>318,- €/P</b>	N° 6531... <b>0,- €</b>	

Brakes		
Drum brake	Knee lever brake	Please tick when drum brakes are not necessary
<input checked="" type="checkbox"/> for standard wheels, incl. brake lever for attendant	<input type="checkbox"/> Knee lever brake Standard	<input type="checkbox"/> Please deliver with standard wheels ( <b>no drum brakes</b> ) Standard-wheels (Rim / Spoke silver), pneumatic with aluminum handrim  <input type="checkbox"/> Please deliver without wheels
N° 220037 <b>0,- €</b>	N° 352598 <b>210,-/P</b>	



Brake lever extensions			
Straight 6 cm		Straight 12 cm	
<input type="checkbox"/> with cover	<input type="checkbox"/> with ball knob <input type="checkbox"/> with golf ball knob	<input type="checkbox"/> with cover	<input type="checkbox"/> with ball knob <input type="checkbox"/> with golf ball knob
N° 3510 <b>58,- €/P</b>	N° 3512 <b>68,- €/P</b>	N° 3515 <b>68,- €/P</b>	N° 3516 <b>78,- €/P</b>






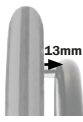


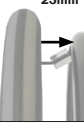
Rear wheels 20" - 24"		
Standard wheel	Profile wheel	Lightweight wheel with drum brake hub
<input type="checkbox"/> All-round wheel  Additional weight of approx. 900g/wheel compared to lightweight wheels	<input type="checkbox"/> Unity of handrim and rim, reduces the risk of finger injuries  <div style="border: 1px solid black; padding: 5px; width: fit-content;">                         Note: Profile wheels are no longer in our product pallet for an indefinite period of time.                          Alternative can be found under article handrim very close to the rim (page 5, N° 3015).                     </div>	<input type="checkbox"/> <b>with drum brake hub</b> , incl. black aluminum handrims  Weight reduction up to 1.2 kg/pair compared to standard drum brake wheels
N° 21..30 <b>0,- €</b>	N° 21..31 <b>0,- €</b>	N° 21..81 <b>130,- €/P</b>

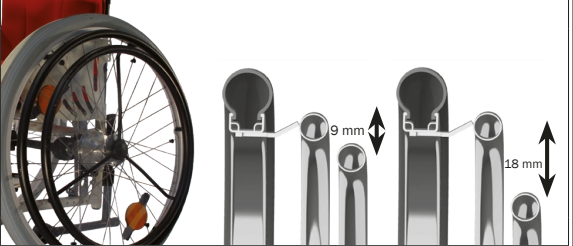
Rear wheels 12" and 16" (instead of drive wheels)			
12"-wheels (Solid tires)	12"-wheels (Pneumatic tires)	16"-wheels (only available with drum brake hub)	
<input type="checkbox"/> 12"-wheels with solid tires and standard hub N° 211240 <b>0,- €</b>	<input type="checkbox"/> 12"-wheels with pneumatic tires and standard hub N° 211200 <b>0,- €</b>	<input type="checkbox"/> 16"-wheels with solid tires and drum brake hub N° 221640 <b>88,- €/P</b>	<input type="checkbox"/> 16"-wheels with pneumatic tires and drum brake hub N° 221600 <b>88,- €/P</b>
<input type="checkbox"/> 12"-wheels with solid tires and drum brake hub N° 221240 <b>0,- €</b>	<input type="checkbox"/> 12"-wheels with pneumatic tires and drum brake hub N° 221200 <b>0,- €</b>	 Similar pictures	




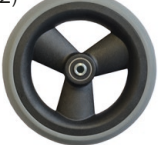



Wheel size and wheel camber		Wheel cover for rear wheels	
Wheel size	Camber	Long	Short
Size in inches: <input type="checkbox"/> 20" <input type="checkbox"/> 22" <input type="checkbox"/> 24"	Camber <input type="checkbox"/> 2° (Standard)  Adapter for camber 0° <input type="checkbox"/> 0°	<input type="checkbox"/> Wheel cover long for 20", 22" und 24" 	<input type="checkbox"/> Wheel cover short for 16", 20", 22" und 24" 
<b>0,- €</b>	<b>N° 201515 AC 79,- €</b>	<b>N° 5210 220,- €/P</b>	<b>N° 5211 180,- €/P</b>


Tyres				
Article name	Article-N°	Price	Examples:	
<input type="checkbox"/> Pneumatic Standard „Right Run“ 1“	1	N° 20..13	0,- €	
<input type="checkbox"/> Pneumatic Standard 1 3/8“	2	N° 20..21	0,- €	
<input type="checkbox"/> Pneumatic Performance „Marathon Plus“ 1“ <small>Only for 22" und 24" wheels</small>	3	N° 20..12	74,- € / P	
<input type="checkbox"/> Solid standard tyres 1“	4	N° 23..11	0,- €	
<input type="checkbox"/> Solid standard tyres 1 3/8“ <small>1 3/8" tyres not possible with lightweight wheels and 26" wheels!</small>	5	N° 23..21	0,- €	


Handrims	
Mounting and material	
<input type="checkbox"/> Standard / tight <input type="checkbox"/> Standard / wide <input type="checkbox"/> High / tight <input type="checkbox"/> High / wide Material: <input type="checkbox"/> Stainless steel (..01) <input type="checkbox"/> Alu (..75) <small>20" stainless steel only with mounting „high“                      Selection standard or high not possible at with lightweight wheel with drum brake</small>	 Hand rim assembly Standard / tight  Hand rim assembly High / tight  Hand rim assembly Standard / wide  Hand rim assembly High / tight
<b>N° 30.. 0,- €</b>	<b>N° 3015 CPD 142,- €</b>

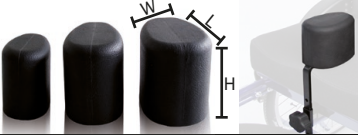
Double handrim	
<b>with drum brake hub</b> Mounting <input type="checkbox"/> left <input type="checkbox"/> right	<input type="checkbox"/> handrim for opposite side Distance of double handrim: <input type="checkbox"/> standard 18mm (..11) <input type="checkbox"/> tight 9mm (..12) <i>Distance tight: Not in combination with hand rim cover or coated hand rim</i>
<b>N° 2615 1.199,- €</b>	<b>N° 261435 153,- €</b>
<b>N° 26.. 0,- €</b>	


Spoke cover	Design spoke covers
<b>Transparent</b>	Only for wheelsize 20"-24"
<input type="checkbox"/> transparent (..00)  <b>Only for wheelsize 20"-24"</b>	Please specify the desired model of the corresponding manufacturer:  <input type="checkbox"/> <a href="http://www.speichen-schutz.de">www.speichen-schutz.de</a>  <input type="checkbox"/> <a href="http://www.wheelchairgadgets.com">www.wheelchairgadgets.com</a>
<b>N° 25.. 172,- €/P</b>	<b>N° 25..26 TD 180,- €</b> <b>N° 25..27 TD 180,- €</b>


Standard PU	Standard solid rubber	Standard pneumatic	Design PU	Design solid rubber
Polyurethan: <input type="checkbox"/> 5" (2805) <input type="checkbox"/> 6" (2803) 	Solid rubber: <input type="checkbox"/> 5" (2809) <input type="checkbox"/> 5.5" (2802) <input type="checkbox"/> 6" (2811) <input type="checkbox"/> 7" (2813) 	Pneumatic, grey: <input type="checkbox"/> 6" (2808) <input type="checkbox"/> 7" (2807) 	Polyurethane, transparent, with LEDs: <input type="checkbox"/> 5" (2834) 	Solid rubber black, with alu rim <input type="checkbox"/> 5" (2836) <input type="checkbox"/> 6" (2838) 
<b>0,- €</b>	<b>0,- €</b>	<b>0,- €</b>	<b>0,- €</b>	<b>0,- €</b>



Caster forks		Caster options					
Standard aluminum	Design aluminum	Track fixation	Locking				
<input type="checkbox"/> Alu fork, black anodized 	<input type="checkbox"/> Aluminum fork coated in frame color color N°: _____ <b>The color numbers can be found next to the frame colors on page 1. Without specifying a color number, the selected frame color is used for coating. Anodized colors are only possible in the design package.</b>	<input type="checkbox"/> Caster wheel track fixation (straight)  Not possible with N° 2721, N° 2830	<input type="checkbox"/> Locking mechanism for track fixation  Not possible with N° 2721, N° 2830				
N° 2826	0,- €	N° 2829	TD 70,- €/P	N° 2851	166,- €/P	N° 2850	208,- €/P

Therapy table			
Adjustable in height and distance, plugged under arm rests on both sides			
Article name	Article-N°	Price	Example:
<input type="checkbox"/> Therapy table transparent, Acrylic glass, <b>Size 1</b> (45 x 36 cm) Ⓛ Max. Distance: 35 cm	N° 920710	325,- €	
<input type="checkbox"/> Therapy table transparent, Acrylic glass, <b>Size 2</b> (59 x 45 cm) Ⓛ Max. Distance: 49 cm	N° 920711	340,- €	
<input type="checkbox"/> Therapy table transparent, Acrylic glass, <b>Size 3</b> (70 x 50 cm) Ⓛ Max. Distance: 60 cm	N° 920712	370,- €	
<b>Arm pads required!</b> <b>Therapy table is enclosed unmounted.</b> Ⓛ Maximum distance between the armrest mounts for the inserted therapy table.			

Abduction wedges			
Not with seat cover			
Article name	Article-N°	Price	
<input type="checkbox"/> abduction wedge, incl. holder and pad, <b>Size S</b> Size Length (L) Width (B) Height (H) (mm) (mm) (mm) S 94 65 90	N° 1952	209,- €	
<input type="checkbox"/> abduction wedge, incl. holder and pad, <b>Size M</b> M 110 82 95	N° 1953	209,- €	
<input type="checkbox"/> abduction wedge, incl. holder and pad, <b>Size L</b> L 125 90 100 Dimensions ± 5%	N° 1954	209,- €	
<input type="checkbox"/> Holder for abduction wedge (without pad)	N° 1951	165,- €	

Foot fixation			
Article name	Article-N°	Price	
<input type="checkbox"/> with Velcro/fleece fastener and guide roller, <b>Size. 1</b> Size Length L 1 15-20 cm	N° 781201	199,- €	
<input type="checkbox"/> with Velcro/fleece fastener and guide roller, <b>Size. 2</b> 2 19-23 cm	N° 781202	199,- €	
<input type="checkbox"/> with Velcro/fleece fastener and guide roller, <b>Size. 4</b> 4 24-28 cm	N° 781203	199,- €	

Transport brackets	
Compatibility with electrical drive systems or Outdoor-Front-End	Transport brackets
Please tick appropriate box if number N° 58507610 was selected (Without tipping an appropriate box, delivery will be without compatibility to additional systems):  <input type="checkbox"/> Outdoor-Front-End (restraint brackets at the front) <input type="checkbox"/> Neither	<input type="checkbox"/> Transport brackets (4 pieces) for transportation in a handicapped accessible passenger car   N° 58507610 CPD 380,- €
Restraint brackets must be replaced by a subsequent fitting of an Outdoor-Front-End.	

Frame options									
Anti-tipper	Step tube	Outdoor Front End	Splash guard	Wheel base extension					
Swing-away installation Mounting <input type="checkbox"/> left <input type="checkbox"/> right <input type="checkbox"/> pair	Mounting <input type="checkbox"/> left <input type="checkbox"/> right <input type="checkbox"/> pair	<input type="checkbox"/> Outdoor Front End, adjustable in width and length, facilitates significantly active and passive driving on soft or rough surfaces, incl. mounting aid 	<input type="checkbox"/> Splash guard for Outdoor Front End, made of plastic 	<input type="checkbox"/> Wheel base extension by approx. 9.5 cm					
N° 7215	139,- €/Pcs	N° 7407	74,- €/Pcs	N° 599520	CPD 479,- €	N° 59951212	CPD 85,- €	N° 7676	274,- €/P

**Abbreviations:**

piece - pcs	seat width - SW	lower leg length - LLL
pair - P	seat depth - SD	customized product discount - CPD
trade discount - TD	back height - BH	Additional charge - AC
configuration - cf.		



Notes:

To see the latest versions of our order forms, please visit [www.sorgrollstuhltechnik.de/download-portal](http://www.sorgrollstuhltechnik.de/download-portal)

## Terms and conditions

### 1. Preface and Scope

(1) Our terms and conditions apply exclusively. Any deviating, opposing, or complementing terms and conditions on the part of the business partner do not form integral part of contract unless explicitly approved of by us. There are no exceptions to the consent requirement, which also applies in cases where we conduct deliveries without restrictions while aware of the business partner's terms and conditions.

(2) Agreements made in the individual case with the purchaser (including side-agreements, supplements, and alterations) always take priority over these terms and conditions. A contract or our confirmation - both in written form - are authoritative for the content of such arrangements.

(3) Any legally relevant declarations and notifications the purchaser submits to us after conclusion of the contract (e.g. setting of deadlines, notice of defects, declarations of rescission or abatement) require the written form to be valid.

(4) Any information on the application of legal regulations serves the mere purpose of clarification. All regulations are legally binding without any such clarifications unless explicitly altered or excluded in these terms and conditions.

### 2. Prices

All prices are ex works, excluding insurance and packaging. The prices are net prices; the value-added tax is stated and charged separately according to the legally binding rate at the time of invoicing. The prices valid on the day of delivery are binding unless explicitly arranged otherwise.

### 3. Conclusion of Contract

SORG's offers are invitatio ad offerendum (invitations to treat). Ordering goods counts as an obligatory offer of contract on the part of the purchaser. Unless the order suggests otherwise, we have the right to accept this contract offer within two weeks time after reception. The acceptance of an offer of contract is effected by the confirmation of the order.

### 4. Terms of Payment

(1) Provided that no other agreements exist, payment is to be made by paying in advance - 50% at placing of order, 50% pre-delivery of goods. The purchaser bears any costs arising from transactions or discounting.

(2) If a 30-day payment deadline is exceeded, a delay rate of 9% on top of the respective base rate of the European Central Bank falls due without the need for prior notices. Beyond that, the purchaser is charged 3,- € for any reminder sent. We reserve the right to make use of the commercial due rate according to § 353 HGB. A higher damage for delay may be enforced via a suitable verification.

### 5. Offers and Validity

All current price lists are generally valid until December 31 of the respective year, or until new price lists are published. The latest version of the price list will always be provided on our homepage. Offers older than 3 months at that point expire and must be replaced with new offers and prices.

### 6. Time of Delivery and Delay

We state the terms of delivery when accepting the order. The delivery date is non-binding and has mere guideline value - especially with regard to customised products. The terms for delay in delivery are defined by legal regulations. In any case, a writing notice issued by the purchaser is necessary for them to take effect.

### 7. Force Majeure (Act of God)

(1) SORG is not to be held responsible for the following delays of delivery. This also applies if these causes occur with respect to legal representatives, auxiliary persons, or deliverers of SORG: Circumstances of force majeure as well as other extraordinary events that are unpredictable and unavoidable for, and not caused by, SORG, and that only occur after ordering or reserving, and that SORG could not have known about. Moreover, this applies in case of strikes, fire, floods, labour disputes, business disruptions, altered magisterial approbation and legal situation, and magisterial orders which are not due to operational risks.

(2) In the cases of paragraph 1, SORG is eligible to delay delivery/performance for the time of hindrance as well as an appropriate start-up time. If SORG thus causes unacceptable complications for the purchaser, both SORG and the purchaser are eligible to withdraw from the contract. Circumstances that only lead to a temporal and hence acceptable delay of delivery and performance are excluded from this right. The legal rights of the client remain unaffected.

### 8. Dispatch

We generally dispatch uncovered by insurance and at the recipient's risk. We transfer the risk of coincidental loss or deterioration of the goods as well as delay on to the client at the moment of passing the goods on to the forwarder, bearer, or any other person/institute responsible for delivery. SORG will make any effort to respect the client's wishes in terms of path and kind of delivery. Any costs caused by this (including agreed carriage free delivery) are to be covered by the client. In the case of carriage free delivery conducted by SORG, the recipient is required to put forward any carriage costs for a refund. If the client wishes the dispatch to be delayed, any risk of loss or deterioration of the goods is carried by the recipient from the first day of readiness for dispatch. The goods dispatched are only insured upon special demand and at the cost of the recipient.

9. Damage through Delivery  
 Angelieferte Gegenstände sind, auch wenn sie unwesentliche Mängel  
 Upon delivery, the goods need to be checked for obvious damage in the presence of the bearer. Any damage is to be documented in a written form and co-signed by the bearer. This protocol is to be forwarded to us immediately. Delayed reclamations, or reclamations not signed by the bearer, cannot be taken into account.

### 10. Warranted Features, Receipt, and Technical Alterations

Delivered objects, even with minor damage, are to be accepted by the client, even if §433 paragraph 1 BGB is not fulfilled. Partial deliveries are permissible. Features only count as warranted if explicitly designated as such. A warranty of condition can only be asserted explicitly and in a written form. SORG reserves the right for technical alterations, especially for solutions of equal or higher value.

### 11. Warranty for Defects

(1) SORG warrants for any defects of delivered new goods for 12 months as long as the purchaser is not the user (§§ 474, 13 BGB). Should the purchaser be the user then the warranty period is two years for new goods, for used goods 12 months. Should the purchaser also be an entrepreneur, then the liability for used items is void, as long as there is no claim for compensation according to N° 12.

(2) The purchaser's claim for defects presuppose that he has attended his obligation to give notice of defects on the legal grounds for his reasons of inquiry (§§ 377, 381 HGB). If defects are found during the inspection or at a later point, we are to be notified in writing without delay. The notice counts as not delayed if issued within two weeks. Posting the notice on time suffices for the keeping of the term. Independently from this obligation to inspect and give notice, the purchaser

is to report obvious defects (including wrong and short delivery) within two weeks upon delivery (again, posting the notice on time suffices). If the purchaser misses the proper inspection and/or notice of defects, we do not warrant for the reported defects. If the delivered good is detected, we may choose to conduct supplementary performance either by repairing the defect (subsequent improvement) or by delivering flawless goods (compensation delivery). Our right to refuse the chosen method of supplementary performance on the respective legal grounds remains untouched.

(3) Our liability for defects expires when alteration or maintenance works are done by the client or a third-person-party without our prior written permission. Consequences of excessive strain, negligent or incorrect handling, and violent damage are excluded from the warranty for defects.

### 12. Further Liability

(1) With respect to compensation - regardless of the legal cause - SORG is only liable in case of malice and act of gross negligence. In case of slight negligence, SORG is only liable for damage of life, body, health, and for damage caused by the negligence of an essential contractual obligation (an obligation whose fulfilment make the proper realisation of the contract possible in the first place and in whose fulfilment the contract partner regularly trusts and can trust). In this case, however, our liability does not exceed the covering of predictable, typically occurring damage.

(2) A free right to termination on the part of the purchaser (acc. to § 651, 649 BGB in particular) is precluded. Otherwise, the usual prerequisites and legal consequences apply.

### 13. Costs of Supplementary Performance

Costs of supplementary performance cannot be charged on SORG's account.

### 14. Voluntary Withdrawal of Goods

SORG is not obliged to take back any delivered end products or parts thereof. If SORG voluntarily decides otherwise in individual cases (especially for therapeutically altered requirements or deaths), SORG refunds a maximum of 75% of the delivery costs for unused parts whose delivery does not date back more than three months. There is no legal obligation concerning withdrawal in this respect. Deliveries which date back more than three months as well as sewed parts and customised products are not returnable. A copy of the delivery note or the bill serves as proof of age of delivery.

### 15. Reservation of Ownership

Goods delivered by SORG remain the property of SORG until any obligations from the parties' business contract on the part of the purchaser have been redeemed. This also applies if SORG has adapted individual or all claims into a running account which has been balanced and acknowledged. The purchaser has the right to dispose of the goods in the proper course of business. The purchaser hereby yields all claims to SORG which arise from the resale against the purchaser or third parties. The purchaser is authorised to withdraw these claims even upon conveyance. SORG's right to withdraw the claims remains untouched. However, SORG is obliged not to withdraw the claims as long as the purchaser complies with his duty of payment and any other duties. SORG has the right to demand that the purchaser makes known the yielded claims and their debtors, that he provides all information necessary for conveyance, and that he hands in all associated documents. As long and insofar the reservation of ownership is intact, the purchaser must not transfer any goods for securing or bailment without SORG's permission. The purchaser may process or alter the goods for the benefit of SORG exclusively. If processed with other goods which do not belong to SORG, SORG obtains co-ownership of these new goods in relation to the invoice value to the cost price of the other processed goods. If a third party interferes with SORG's ownership, the purchaser is to notify SORG immediately. The purchaser must not make any agreements with other purchasers which may exclude or limit SORG's rights. In particular, the purchaser must not make any agreements which destroy or limit the advance assignments to SORG. If the estimated value of the existing guarantees exceeds the claims to be ensured by more than 20%, SORG is insofar obliged to release by request of the purchaser.

### 16. Copyright Protection

If SORG conveys any images, drawings, indications of weight or measurements, technical documentations, or other product descriptions and documents (including electronic ones), the respective indications only apply if explicitly stated that they do. SORG reserves ownership and copyright of all these documents. They may only be made available to third parties upon SORG's explicit permission.

### 17. Place of Fulfilment, Place of Jurisdiction, and Severability Clause

(1) The law of the Federal Republic of Germany applies for these Terms and Conditions and all legal relations between us and our business partners. All international and supranational (contractual) legal systems, the UN Convention on Contracts for the International Sale of Goods in particular, are hereby excluded. Prerequisites and effects of the reservation of ownership acc. to no. 15 are subject to the right of the respective storage location of the good if the choice of law made in favour of the German law is illegitimate or ineffective. The only place of jurisdiction (also on an international basis) for any disputes arising directly or indirectly from the contractual relationship is, according to German Commercial Code, our office in Oberhausen-Rheinhausen, Germany. However, we also have the right to file a suit concerning the general jurisdiction of the purchaser.

(2) If any clause in these Terms of Conditions should turn out to be ineffective, this does not affect the effectiveness of all other clauses.

Technical alterations and misprints reserved. As of: January 2017

SORG Rollstuhltechnik GmbH + Co. KG  
 Benzstr. 3-5, 68794 Oberhausen-Rheinhausen / Germany  
 Phone +49 7254 / 9279-0  
 Fax +49 7254 / 9279-10  
 info@sorgrollstuhltechnik.de, www.sorgrollstuhltechnik.de