



Tiltable wheelchair for children, adolescents and adults, for active or passive use

Included in the base price:

- Growing with the patient (SW and SD by max. 4 cm, BH max. 5 cm), purchased parts may be necessary (depending on configuration)
- Pneumatic or solid tyres.
- Rigid frame with 10cm abduction
- For active or passive use
- Back-seat-unit tiltable by 25° and completely stowable
- Standard knee lever brake

- Quotation
 Order

Weight capacity: 90 kg
 German aid index N°: 18.50.03.2004

Base price 3.750,- €
 Prices excl. VAT,
 valid from 15.01.2024 and until further notice.

Delivery address / Company stamp:	Billing address: <input type="checkbox"/> same as delivery address
Name:	Name:
Address:	Address:

Ordering information:

Reference/ internal description:	Date:
Contact person:	Signature:

Frame measures																							
Seat width + 4 cm extension each				Seat depth + 4 cm extension each				Back height + 5 cm extension each															
<input type="checkbox"/> 28	<input type="checkbox"/> 30	<input type="checkbox"/> 32	<input type="checkbox"/> 42	<input type="checkbox"/> 44	Short frame: <input type="checkbox"/> 30 <input type="checkbox"/> 32 <input type="checkbox"/> 34	<input type="checkbox"/> 42	<input type="checkbox"/> 44	Back tubes STANDARD				Back tubes REINFORCED											
<input type="checkbox"/> 34	<input type="checkbox"/> 36	<input type="checkbox"/> 38					Long frame: <input type="checkbox"/> 36 <input type="checkbox"/> 38 <input type="checkbox"/> 40			<input type="checkbox"/> 30 (...30)				<input type="checkbox"/> 30 (...302) <input type="checkbox"/> 35 (...352)									
<input type="checkbox"/> 40									<input type="checkbox"/> 35 (...35)				<input type="checkbox"/> 40 (...402) <input type="checkbox"/> 45 (...452)										
								<input type="checkbox"/> 40 (...40)				<input type="checkbox"/> 50 (...502)											
N° 10..		0,- €		N° 10..		180,- €		N° 11..		0,- €		N° 11..		180,- €		N° 12..		0,- €		N° 12..		AC 99,- €	

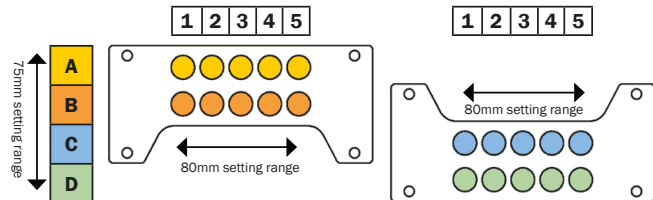
Configuration Seat height / Wheel camber / Wheel size / Wheel position

All measurements with ± 3% tolerance

Attention: By selecting a front seat height, you determine the rear seat height, the wheel camber, the wheel size and the wheel position (level of activity).

Configuration Side guard (Page 3)	Wheel camber	Wheel size	Wheel position	Seat height Back	Seat height Front (cm)																															
					5" Caster wheel / Position							5,5" Caster wheel / Position							6" Caster wheel / Position																	
					Pos.1	Pos.2	Pos.3	Pos.4	Pos.5	Pos.6	Pos.7	Pos.1	Pos.2	Pos.3	Pos.4	Pos.5	Pos.6	Pos.7	Pos.1	Pos.2	Pos.3	Pos.4	Pos.5	Pos.6	Pos.7											
Only with active side guard	7°	22"	B	37,0	40,5	42,0											42,0	43,0																		
Only with Standard-/XXL side guard	3°		C	41,0		42,0	43,0	44,5									42,0	43,0	45,0	46,5					42,5	43,5	44,0									
Only with Standard-/XXL side guard	3°		D	43,5				44,5	46,0	47,0							45,0	46,5	47,5						43,5	44,0	47,0	48,0								
Only with active side guard	7°	24"	A	37,0	40,5	42,0	43,0									42,0	43,0							42,5												
Only with active side guard	7°		B	39,5	40,5	42,0	43,0	44,5								42,0	43,0	45,0						42,5	44,0											
Only with Standard-/XXL side guard	3°		C	43,5				44,5	46,0	47,0						45,0	46,5	47,5						44,0	45,5	47,0	48,0									
Only with Standard-/XXL side guard	3°		D	46,0						47,0	48,5						46,5	47,5	49,0							47,0	48,0	49,5								

Wheel position / Axle plate position



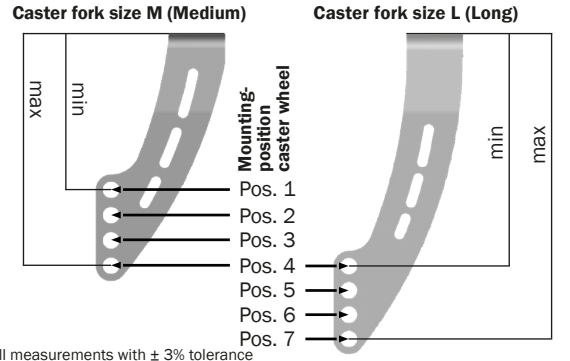
1 to 5 = Passive to Active
 80mm setting range from 1 to 5

A to D:
 A = low rear seat height
 D = high seat position
 75mm height difference from A to D

Hole distance:
 - horizontal 20mm (=> max. setting range = 80mm)
 - vertical 25mm (=> max. setting range = 75mm)

- Restrictions:**
1. Double handrim: only possible with position B3/C3/D3
 2. Slightly restricted tilting function with rows A (1-5) and B (1-5)
 3. Wheel lock/brake: rows A and B only with bowden cable brake

Caster wheel position



Frame colors and color anodization Design package

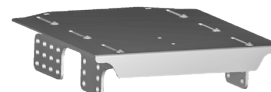
Finish alternatives	Moderate metallic effect	Not metallic	Special colors (without additional charge, except for Nightblue)
<input type="checkbox"/> Shiny <input type="checkbox"/> Matt Not possible with special colors! N° 1561 90,- €	<input type="checkbox"/> Cream white (17) <input type="checkbox"/> Zinc yellow (02) <input type="checkbox"/> Chrome yellow (06) <input type="checkbox"/> Pure Orange (21) <input type="checkbox"/> Crimson (04) <input type="checkbox"/> Girly Pink (19) <input type="checkbox"/> Pastel Blue (20)	<input type="checkbox"/> Brilliant Blue (08) <input type="checkbox"/> Dark Blue (16) <input type="checkbox"/> Dark Green (15) <input type="checkbox"/> Goblin Green (33) <input type="checkbox"/> Titan Grey (34) <input type="checkbox"/> King's Blue (32)	<input type="checkbox"/> Black (31) strong metallic effect: <input type="checkbox"/> Silver metallic (36) Coarse structured surface: <input type="checkbox"/> Coarse Black (27)

Dormant colors:
 Firered Dormant (45)
 Violet Dormant (50)
Dormant color with additional charge AC 90,-€
 Nightblue Dorm. (47)

Design package color anodization (Color examples for anodized colors can be found on our website in the area equipment)

<input type="checkbox"/> anodized Blue (01) <input type="checkbox"/> anodized Red (02) <input type="checkbox"/> anodized Green (03) <input type="checkbox"/> anodized Gold Orange (04) <input type="checkbox"/> anodized Violet (05) N° 1572.. CPD 295,- €	The following parts are anodized: Assembly group caster (fork, caps, adapter, half shells, wheel spacer), profile pipe support for push bow, hand rims The design package ist only possible in the listed setting.	Restrictions: The hand rims are only available in the design package anodized colors by choosing aluminum hand rims. (not possible with stainless steel, Maxgrepp, PVC, double-, nob or ergonomic hand rims. Also not possible with profile wheels). Profile pipe support is only available in the design package anodized by choosing push bow.
--	--	---

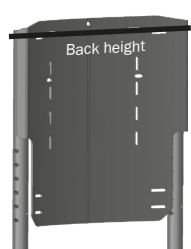
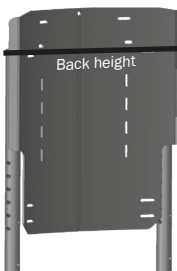
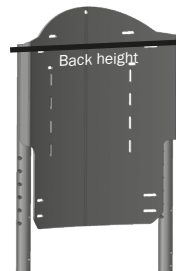
Specification of frame length

Standard frame length	Dissenting frame length	Seat system
At SD 30, 32, 34 cm we use as standard the short frame = 533 mm At SD 36, 38, 40 cm we use as standard the long frame = 583 mm	Required frame version: <input type="checkbox"/> short (533 mm) <input type="checkbox"/> long (583 mm) not possible with 22" wheels If no specification is indicated, the frame version is chosen according to the standard parameters stated on the left	Seatplate <input checked="" type="checkbox"/> Firmly bolted seat plate for optimized pelvis support; made of aluminum, growable  N° 190620 0,- €

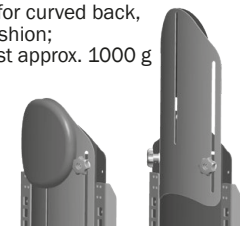
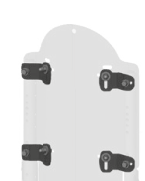

Back unit

Back angle	Child-proof lock	Back cover	Strap system
<input checked="" type="checkbox"/> Back adjustable in angle (raster, 80° - 120°), completely stowable, stabilizer bar included. Attention! Extendable push handles recommended and safety wheel required (danger of tipping!)	<input type="checkbox"/> Back angle adjustable in angle by 27° through gas pressure spring, stabilizer bar included. From BH 35 cm Anti tipper required! Not in combination with standard back cover N° 6710	<input type="checkbox"/> Child-proof lock for tilting mechanism Recommended for very active children	<input type="checkbox"/> Adjustable strap system, incl. breathable cushion (thickness 2 cm) Choice of cover color on page 3.
N° 6121 0,- €	N° 6136 519,- €	N° 1940 63,- €	N° 6710 0,- €




Curved back plate

Model 1	Model 2	Model 3
Firm curved back plate, BH+2 cm; cavity: <input type="checkbox"/> 15 mm (...015) <input type="checkbox"/> 30 mm (...030) <input type="checkbox"/> 50 mm (...050)  Straight upper edge, 2 cm higher than back height. N° 693.. 315,- €	Firm curved back plate, BH+10 cm; cavity: <input type="checkbox"/> 15 mm (...115) <input type="checkbox"/> 30 mm (...130) <input type="checkbox"/> 50 mm (...150)  BH+20 cm; cavity: <input type="checkbox"/> 15 mm (...215) <input type="checkbox"/> 30 mm (...230) <input type="checkbox"/> 50 mm (...250) Straight upper edge, 10 or 20 cm higher than back height. N° 693.. 399,- €	Firm curved back plate, BH+5 cm; cavity: <input type="checkbox"/> 15 mm (...315) <input type="checkbox"/> 30 mm (...330) <input type="checkbox"/> 50 mm (...350)  BH+10 cm; cavity: <input type="checkbox"/> 15 mm (...415) <input type="checkbox"/> 30 mm (...430) <input type="checkbox"/> 50 mm (...450) Curved upper edge, 5 or 10 cm higher than back height. N° 693.. 399,- €

Back extension

for curved back plate	Restrictions	Fitting set for solid back	Connection for back shell
<input type="checkbox"/> Back extension by up to 17.5 cm for curved back, retractable, with removable head cushion; Weight saving compared to a headrest approx. 1000 g Only with a curved back plate. Not possible with headrest (N° 6861 ..). Not suitable as a headrest for vehicle transport.  N° 686069 299,- €	Model 1: • from BH 35 cm • curve depth 50 mm only from SW 30 Model 2: • not possible • curve depth 50 mm only from SW 30 Model 3: • from BH 35 cm • only for curve depth BH+5 cm At Fitting set for solid back (692598): • from SW30	<input type="checkbox"/> Bracket set, suitable for mounting a fixed back made by a specialist retailer  N° 692598 160,- €	<input type="checkbox"/> Back shell connection, black, can be clamped to the stabilizer bar  N° 696402 88,- €

Seat cushion (All covers with zipper and changeable)

Without cushion / cover	Seat cushion		Anatomical cushion
<input type="checkbox"/> WITHOUT cushion (please mark if no pillow is required)	Synthetic foam for firm comfortable seating <input type="checkbox"/> 3 cm (..03) <input type="checkbox"/> 5 cm (..05) 	Pressure relief cushion for medium-soft seating <input type="checkbox"/> 3 cm (..03) <input type="checkbox"/> 5 cm (..05) 	<input type="checkbox"/> Anatomically formed, with slight abduction, changeable cover (The thickness of the cushion at the front is 5-6 cm, depending on the size of the cushion) <i>(special construction)</i> 
N° 998002	N° 80 .. 105,- €	N° 81 .. 135,- €	N° 891002 CPD 499,- €
<input type="checkbox"/> WITHOUT cover Seat cushion / anatomical cushion without cover	<input type="checkbox"/> Additional cover for seat cushion as configured		<input type="checkbox"/> Additional cover for anatomical cushion
N° 998001 ./ 30,- €	N° 8201 85,- €	<input type="checkbox"/> Incontinence cover for seat cushion	N° 891003 CPD 186,- €
	N° 86.. 105,- €		<input type="checkbox"/> Incontinence cover for anatomical cushion
			N° 891004 CPD 190,- €


Back cushion (all covers with zipper and changeable)

Without back cushion / cover	Standard cushion	Anatomical back cushion
<input type="checkbox"/> NO back cushion (please tick if no cushion is required)	<input type="checkbox"/> Standard cushion for standard back N° 6710 , 3 cm thick, with zipper, N° 8514 140,- € <input type="checkbox"/> Standard cushion for curved back plate , 3 cm thick, with zipper, N° 8517 165,- € <input type="checkbox"/> Additional cover for back cushion as configured	Anatomically formed, incl. changeable cover. cavity: <input type="checkbox"/> 3 cm (..04) <input type="checkbox"/> 5 cm (..06) } Only in combination with the appropriate curve depth of the selected curved back plate. Not possible with adjustable strap system N° 6703.. Special construction N° 8911.. CPD 299,-€/Pcs <input type="checkbox"/> Additional cover for anatomical back cushion
N° 998502	N° 8501 85,- €	N° 891110 CPD 155,-€/Pcs
<input type="checkbox"/> WITHOUT cover back cushion / anatomical back cushion without cover		
N° 998501 ./ 30,- €		

Choice of Trevira cover colors for seat cushion / anat. seat cushion / back cushion / anat. back cushion

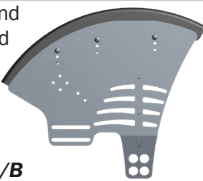


Please choose the color of the selected covers:

<input type="checkbox"/> black (30)	<input type="checkbox"/> grey (31)	<input type="checkbox"/> nightblue (32)	<input type="checkbox"/> ultramarine blue (33)	<input type="checkbox"/> petrol (34)	<input type="checkbox"/> applegreen (35)	<input type="checkbox"/> burgundy (36)	<input type="checkbox"/> red (37)	<input type="checkbox"/> pink (38)
-------------------------------------	------------------------------------	---	--	--------------------------------------	--	--	-----------------------------------	------------------------------------






N° 80.. (seat cushion / anat. seat cushion) N° 85.. (back cushion / anat. back cushion) N° 6703.. (adjustable back cover)

Side guards

Only for 7° camber	Only for 3° camber
Activity side guard <input type="checkbox"/> Component of synthetic and aluminum parts for integrated cable brake (not tiltable) Only for bowden cable brake N° 3531, Only in axle plate position A/B N° 5001 198,- €/P	Standard side guards <input type="checkbox"/> Aluminum, 20 cm high, bolted on Only in axle plate position C/D N° 452310 0,- €/P
	
	Side guards XXL <input type="checkbox"/> Side guards with same length as seat depth Only in axle plate position C/D N° 4538 180,- €/P
	

Wheel cover

for side guards Standard/XXL	Arm pads For standard side guards N° 452310 and side guards XXL N° 4538
<input type="checkbox"/> Synthetic wheel cover, black, size large For standard side guards N° 452310 and side guards XXL N° 4538 N° 5201 220,- €/P	Arm pad with a width of 50 mm <input type="checkbox"/> Armrests, with height and angle adjustable arm pads 240 x 50 mm, PU N° 452203 220,- €/P
	
	Arm pad with a width of 80 mm <input type="checkbox"/> Armrests, with height, angle and depth adjustable arm pads 260 x 80 mm, PU (Arm pads are adjustable in depth by +90 mm) N° 453302 310,- €/P
	

Specification of lower leg length (LLL) / Cushion thickness / Distance

Specify:
Lower leg length (LLL)

-

Specify:
Cushion thickness

=

Result: **Wheelchair dimensions** Distance upper edge of the seat and the upper edge of the footplate - Cushion thickness

All measurements in cm

Lower leg length:
 Specification of the distance in cm between the hollow of the knee and the sole of the foot at a 90° knee position angle. Minimum distance 22cm, with calf rest 26cm.

Thickness seat cushion:
 Indication of the thickness of the planned seat cushion

Wheelchair Dimensions:
 Distance from the upper edge of the seat to the upper edge of the footrest in cm (without taking into account the thickness of the seat cushion). From your information regarding the lower leg length and thickness of the seat cushion, we calculate the distance from the top edge of the seat to the top edge of the footrest and mount this on the leg support you have chosen.

Example:
Your information: LLL = 38 cm, seat cushion thickness = 5 cm
Manufacturer assembly: In this example, SORG mounts the footrest at a distance of 33 cm from the footrest.

Leg support with foot plate (adjustable in height, depth and angle)

Leg support Model 1	Leg support Model 2	Leg support Model 3	Leg support Model 4																											
<input type="checkbox"/> Undivided foot rest, hinged backwards one central hinge Foot plate undivided Foot plate depth 150 mm Not with N° 403106 (calf rest) and abduction wedge Only up to SW 34 cm	Undivided foot rest, hinged backwards, two hinges Foot plate undivided	Undivided foot rest, hinged upwards with 5-point raster and manual length adaption Foot plate undivided	Divided foot rest, hinged upwards with 5-point raster and manual length adaption Foot plate divided																											
<table border="1" style="width: 100%; border-collapse: collapse;"> <thead> <tr style="background-color: #e1eef6;"> <th>Foot plate depth</th> <th>Article-N°</th> <th>Price</th> </tr> </thead> <tbody> <tr> <td><input type="checkbox"/> 150 mm</td> <td>N° 400801</td> <td>0,- €</td> </tr> <tr> <td><input type="checkbox"/> 230 mm</td> <td>N° 400802</td> <td>50,- €</td> </tr> </tbody> </table>	Foot plate depth	Article-N°	Price	<input type="checkbox"/> 150 mm	N° 400801	0,- €	<input type="checkbox"/> 230 mm	N° 400802	50,- €	<table border="1" style="width: 100%; border-collapse: collapse;"> <thead> <tr style="background-color: #e1eef6;"> <th>Foot plate depth</th> <th>Article-N°</th> <th>Price</th> </tr> </thead> <tbody> <tr> <td><input type="checkbox"/> 150 mm</td> <td>N° 401315</td> <td>160,- €</td> </tr> <tr> <td><input type="checkbox"/> 230 mm</td> <td>N° 401323</td> <td>210,- €</td> </tr> </tbody> </table>	Foot plate depth	Article-N°	Price	<input type="checkbox"/> 150 mm	N° 401315	160,- €	<input type="checkbox"/> 230 mm	N° 401323	210,- €	<table border="1" style="width: 100%; border-collapse: collapse;"> <thead> <tr style="background-color: #e1eef6;"> <th>Foot plate depth</th> <th>Article-N°</th> <th>Price</th> </tr> </thead> <tbody> <tr> <td><input type="checkbox"/> 150 mm</td> <td>N° 401401</td> <td>230,- €</td> </tr> <tr> <td><input type="checkbox"/> 230 mm</td> <td>N° 401402</td> <td>280,- €</td> </tr> </tbody> </table>	Foot plate depth	Article-N°	Price	<input type="checkbox"/> 150 mm	N° 401401	230,- €	<input type="checkbox"/> 230 mm	N° 401402	280,- €	
Foot plate depth	Article-N°	Price																												
<input type="checkbox"/> 150 mm	N° 400801	0,- €																												
<input type="checkbox"/> 230 mm	N° 400802	50,- €																												
Foot plate depth	Article-N°	Price																												
<input type="checkbox"/> 150 mm	N° 401315	160,- €																												
<input type="checkbox"/> 230 mm	N° 401323	210,- €																												
Foot plate depth	Article-N°	Price																												
<input type="checkbox"/> 150 mm	N° 401401	230,- €																												
<input type="checkbox"/> 230 mm	N° 401402	280,- €																												
<p>Width adjustable footplate adjustable in width by max. 80mm (depending on model and config.)</p> <p>Surcharge item for the above mentioned legrests.</p> <input type="checkbox"/> Continuous foot plate, depth 230 mm, Offers the option of setting the maximum usable width individually. - Only in combination with N° 400802 and 401323 - Not in combination with heel edge N° 405514 AC 165,- €																														

Leg support options			
Locking mechanism	Heel cups	Belts for heel cups	Calf rest
<input type="checkbox"/> Locking mechanism at 90° for foot rest models 2 to 4	Heel cups, aluminum black for mounting on foot plate <input type="checkbox"/> size 1 12,5 x 8 cm (...31) <input type="checkbox"/> size 2 14,5 x 10 cm (...32) <input type="checkbox"/> size 3 16,5 x 12 cm (...33)	<input type="checkbox"/> Matching belts to the selected heel cups (N° 4020..)	for leg support Model 3 and 4, Mounting <input type="checkbox"/> left <input type="checkbox"/> right <input type="checkbox"/> left and right Possible from LLL 26 cm
N° 4009 64,- €	N° 4020.. 78,- €/P	N° 402015 108,- €/P	N° 403106 147,- €/Pcs

Push handles		
Extendable	Push bar	Push bow
Extendable push handles, with long handle (11 cm) straight <input type="checkbox"/> 15 cm (..0703) <input type="checkbox"/> 25 cm (..0803) cranked: <input type="checkbox"/> 15 cm (..0704) <input type="checkbox"/> 25 cm (..0804)	<input type="checkbox"/> Push bar facilitating pushing, for extendable push handles (look on the left, N° 6507../6508..)	<input type="checkbox"/> Extendable by 20 cm, 307° back angle adjustable, with steel joint, allows height adjustment in tilted position Trapeze shape up to SW 38 90°-shape from SW 40
N° 65.. 198,- €/P	N° 6558 170,- €	N° 653205 295,- €

Brakes			Brake lever extensions	
Knee lever brake	Single-hand brake	Drum brake	Straight 6 cm	Cranked 12 cm
<input type="checkbox"/> Standard N° 3525 0,-€ <input type="checkbox"/> lockable in activated or deactivated position N° 3513 190,-€/P	Knee lever brake with single hand control Mounting <input type="checkbox"/> left (..01) <input type="checkbox"/> right (..02) N° 3509.. 336,-€/P	<input type="checkbox"/> for standard-, profile or lightweight wheels (N° 21..30/31/81), incl. brake lever for attendant N° 220036 325,- €	<input type="checkbox"/> straight, 6 cm long <input type="checkbox"/> with top cover N° 3510 58,-€/P <input type="checkbox"/> straight, 6 cm long <input type="checkbox"/> with ball knob <input type="checkbox"/> mit Golfball knob N° 3512 68,-€/P	<input type="checkbox"/> cranked, 12 cm long <input type="checkbox"/> with top cover N° 3515 68,-€/P <input type="checkbox"/> cranked, 12 cm long <input type="checkbox"/> with ball knob <input type="checkbox"/> mit Golfball knob N° 3516 78,-€/P
<input type="checkbox"/> Pull to lock In contrast to the standard knee lever brake, the pull to lock knee lever brake is operated by pulling.	<input type="checkbox"/> Averts automatically the risk of rolling backwards without affecting forward movements Recommended for a user weight up to max. 90 kg A knee lever brake function is included with the rollback blocking! It is not possible to select an additional knee lever brake.	<input type="checkbox"/> integrated in activity side guards Only with activity side guards N° 5001		
N° 3529 70,-€/P	N° 3526 CPD 350,-€/P	N° 3531 240,-€/P		

Wheels				
Standard wheel	Profile wheel	Lightweight wheel with standard hub	Lightweight wheel with drum brake hub	Double handrim
<input type="checkbox"/> All-round wheel Additional weight of approx. 900g/wheel compared to lightweight wheels	<input type="checkbox"/> Unity of handrim and rim, reduces the risk of finger injuries Additional weight of approx. 800g/wheel compared to lightweight wheels Note: Profile wheels are no longer in our product pallet for an indefinite period of time. Alternatives can be found under article handrim very close to the rim (page 6, N° 3015) or Maxgrepp ERGO-PARA handrims (page 6; N° 34..).	<input type="checkbox"/> with standard hub Very lightweight, incl. aluminum handrims Weight reduction of approx. 900g/pair compared to standard wheels THE STANDARD HUB IS INCOMPATIBLE WITH THE DRUM BRAKE (N° 220036)!	<input type="checkbox"/> with drum brake hub , incl. black aluminum handrims Only in combination with drum brake (N° 220036) (mind additional charge) Weight reduction up to 1.2 kg/pair compared to standard drum brake wheels Package price for lightweight wheels incl. drum brakes and brake lever for attendant 455,- €/pair	<input type="checkbox"/> with standard hub and double handrim Only possible up to 8° Mounting <input type="checkbox"/> left <input type="checkbox"/> right N° 2614 1.099,- € <input type="checkbox"/> with drum brake hub and double handrim Mounting <input type="checkbox"/> left <input type="checkbox"/> right N° 2615 1.199,- € <input type="checkbox"/> Handrim for the opposite side N° 261435 153,- € Distance of double handrim¹ <input type="checkbox"/> standard 18mm (..11) <input type="checkbox"/> tight 9mm (..12)
N° 21..30 0,- €	N° 21..31 0,- €	N° 21..76 160,- €/P	N° 21..81 130,- €	N° 26.. 0,- €

Tyres			Examples:
Title	Item-N°	Price	
<input type="checkbox"/> Pneumatic Standard „Right Run“ 1“	1	N°20..13	0,- €
<input type="checkbox"/> Pneumatic Standard 1 3/8“	2	N°20..21	0,- €
<input type="checkbox"/> Pneumatic Performance „Marathon Plus“ 1“	3	N°20..12	74,- € / P
<input type="checkbox"/> Solid standard tyres 1“	4	N°23..11	0,- €
<input type="checkbox"/> Solid standard tyres 1 3/8“	5	N°23..21	0,- €

1 3/8“ tyres not possible with lightweight wheels



Hand rims (Not for profile wheels)				
Standard hand rim (Please choose type of installation AND material)				Mounting very closely to rim
Mounting type: <input type="checkbox"/> Standard / tight <input type="checkbox"/> Standard / wide <input type="checkbox"/> High / tight <input type="checkbox"/> High / wide } Not possible on lightweight wheels with drum brakes.				<input type="checkbox"/> Handrims mounted very closely to rim, reduces the risk of finger injuries Only for standard wheels and in aluminum N° 3015 CPD 142,-€
Material: <input type="checkbox"/> Stainless steel (..01) <input type="checkbox"/> Alu, silver anodized (..75)		N° 30.. 0,- €		
PVC	Ergonomic	Maxgrepp ORIGINAL	Maxgrepp ERGO-PARA	Design hand rim
<input type="checkbox"/> Hand rim coated with black PVC, (Tetra Grip) 	<input type="checkbox"/> Hand rim with ergonomic hand rim profile, black anodized with integrated rubber grip 	<input type="checkbox"/> Hand rims with a soft foam rubber coating. <i>Suitable for quadriplegics and wheelchair users with weakened hand function.</i> 	<input type="checkbox"/> Hand rims for pushing with heel of the hand (soft surface), 	<input type="checkbox"/> Aluminum hand rims coated in frame color color number: _____ The color numbers can be found next to the frame colors on page 2. Without specifying a color number, the selected frame color is used for coating. Anodized colors only possible in the design package.
N° 33.. 368,- €/P	N° 342424 420,- €/P	N° 341501.. 460,- €/P	N° 34.. 490,- €/P	N° 303000 TD 70,-€/P

Hand rim options				
Silicone cover for STANDARD hand rim Detachable silicone cover, black (soft surface), <input type="checkbox"/> for standard wheel (22-24) <input type="checkbox"/> for profile wheel (..02) <input type="checkbox"/> for lightweight wheel (..05) 	Silicone cover for DOUBLE hand rim Detachable silicone cover, black <input type="checkbox"/> for inside rim <input type="checkbox"/> for outside rim <input type="checkbox"/> for opposing side Not in combination with double handrim distance tight N° 2612	PVC cover for double hand rim <input type="checkbox"/> Handrim coating for double handrim, both handrims (inside and outside), coated with black PVC N° 262402 355,- € <input type="checkbox"/> Handrim coating for opposing side of the double handrim, coated with black PVC N° 262401 195,- €	Ergo rubber inlay <input type="checkbox"/> Rubber inlay, 13 mm wide. ONLY for profile wheels A notice: The Ergo cover is no longer in our product pallet for an indefinite period of time.	
N° 32.. 156,- €/P	N° 3205 78,- €/Pcs		N° 32 .. 01 210,- €/P	

¹ Double handrim, distance of handrims **tight**: Not in combination with hand rim cover or coated hand rim.

Spoke cover		Design spoke covers	
Transparent		Design spoke covers Please specify the desired model of the corresponding manufacturer:	
<input type="checkbox"/> transparent (..00)		<input type="checkbox"/> www.speichen-schutz.de <input type="checkbox"/> www.wheelchairgadgets.com	
N° 25.. 172,- €/P	N° 25..26 TD 180,- €	N° 25..27 TD 180,- €	

Caster wheels				
Standard PU	Standard solid rubber	Standard pneumatic	Design PU	Design solid rubber
Polyurethan: <input type="checkbox"/> 5" (2805) <input type="checkbox"/> 6" (2803)	Solid rubber: <input type="checkbox"/> 5" (2809) <input type="checkbox"/> 5.5" (2802) <input type="checkbox"/> 6" (2811)	Pneumatic, grey: <input type="checkbox"/> 6" (2808)	Polyurethane, transparent, with LEDs: <input type="checkbox"/> 5" (2834)	Solid rubber black, with alu rim <input type="checkbox"/> 5" (2836) <input type="checkbox"/> 6" (2838)
0,- €	0,- €	0,- €	0,- €	0,- €

Caster forks			Caster wheels options	
Standard aluminum	Design aluminum	Hemi-Adapter	Track fixation	Locking
<input type="checkbox"/> Alu fork, black anodized 	<input type="checkbox"/> Aluminum fork coated in frame color color N°: _____ The color numbers can be found next to the frame colors on page 2. Without specifying a color number, the selected frame color is used for coating. Anodized colors are only possible in the design package.	to reduce the front seat height around <input type="checkbox"/> 25 mm (..40)	<input type="checkbox"/> Caster wheel track fixation Supports straight-ahead driving by returning the caster forks to straight-ahead driving. Adjustable.	<input type="checkbox"/> Locking mechanism for track fixation, by pull catch
N° 2826	N° 2829	N° 2805..	N° 2851	N° 2850
0,- €	TD 70,- €/P	140,- €/P	166,- €/P	208,- €/P

Frame options				
Anti tipper	Outdoor-Front-End	Splash guard	Step tube	
Swingaway installation Mounting <input type="checkbox"/> left <input type="checkbox"/> right <input type="checkbox"/> pair 	<input type="checkbox"/> Outdoor Front End, adjustable in width and length, facilitates significantly active and passive driving on soft or rough surfaces, incl. mounting aid 	<input type="checkbox"/> Splash guard for Outdoor Front End, made of plastic 	Mounting <input type="checkbox"/> left <input type="checkbox"/> right <input type="checkbox"/> pair 	
N° 7215	N° 599520	N° 59951212	N° 7400	
139,- €/Pcs	CPD 479,- €	CPD 85,- €	74,- €/Pcs	
Crutch holder	Sun shade			
Mounting <input type="checkbox"/> left <input type="checkbox"/> right <input type="checkbox"/> pair 	variable adjustable sun shade, in black The sunshade can be mounted with a few simple steps. The flexible "gooseneck" on which the sunroof is attached, is stable and well suited to keep the roof in the desired position and can be easily and intuitively set.		<input type="checkbox"/> Extension set Increasing the usable amount of the Sun shade by 14 cm.	
	<input type="checkbox"/> Size 1 up to SW 38 Usable height (from the top edge of the seat plate/seat cover to the apex) = selected back height + 40 cm Example: BH 30 + 40 cm = 70 cm usable height	<input type="checkbox"/> Size 2 from SW 40 Usable height (from the top edge of the seat plate/seat cover to the apex) = selected back height + 55 cm Example: BH 30 + 55 cm = 85 cm usable height		
N° 7101	N° 910301	N° 910302	N° 910305	
44,- €/Pcs	TD 250,- €	TD 290,- €	FR 58,- € / Set	

Therapy tables			
Article name	Article-N°	Price	Variation examples
Mounting Variation 1: hinged sideways, adjustable in height and distance At variation 1 please select the mounting side: <input type="checkbox"/> left <input type="checkbox"/> right			
<input type="checkbox"/> Therapy table Transparent, Variation 1 Sz. 1 (45 x 36 cm)	N° 920410	325,- €	
<input type="checkbox"/> Therapy table Transparent, Variation 1 Sz. 2 (59 x 45 cm)	N° 920411	340,- €	
<input type="checkbox"/> Therapy table Transparent, Variation 1 Sz. 3 (70 x 50 cm)	N° 920412	370,- €	
<input type="checkbox"/> Therapy table beech wood, Variation 2 Sz. 2 (50 x 40 cm)	N° 920413	340,- €	
<input type="checkbox"/> Therapy table beech wood, Variation 2 Sz. 2 (60 x 50 cm)	N° 920414	380,- €	
Mounting Variation 2: adjustable in height and distance, plugged under arm rests on both sides. Arm pads required			
<input type="checkbox"/> Therapy table Transparent, Variation 2 Sz. 1 (45 x 36 cm)	N° 920710	325,- €	
<input type="checkbox"/> Therapy table Transparent, Variation 2 Sz. 2 (59 x 45 cm)	N° 920711	340,- €	
<input type="checkbox"/> Therapy table Transparent, Variation 1 Sz. 3 (70 x 50 cm)	N° 920712	370,- €	
<input type="checkbox"/> Therapy table beech wood, Variation 2 Sz. 2 (50 x 40 cm)	N° 920713	340,- €	
<input type="checkbox"/> Therapy table beech wood, Variation 2 Sz. 2 (60 x 50 cm)	N° 920714	380,- €	

Standard head rests <small>Measures in mm (all measures ± 10mm)</small>			
Article name	Article-N°	Price	
<input type="checkbox"/> Standard head rest model 1 (shell-shaped small) including connection to stabilizer bar	1 N° 686021	315,- €	
<input type="checkbox"/> Standard head rest model 3 (curved small) including connection to stabilizer bar	2 N° 686023	315,- €	
<input type="checkbox"/> Standard head rest model 4 (curved large) including connection to stabilizer bar	3 N° 686024	315,- €	
<input type="checkbox"/> Headrest cover, washable and changeable made of Trevira fabric Please specify a color and the two-digit color number (see page 3 at color choice of upholstery fabrics Trevira. If no color is specified, the color of the seat / back cushions is used. Color and Color number:	Example: Rear view Front view N° 686050	89,- €	
<input type="checkbox"/> Head rest holder for mounting on stabilizer bar for example for mounting headrests from other manufacturers Only select for non-SORG headrest	 N° 68600890	39,- €	
1 Model 1 	2 Model 3 	3 Model 4 	

Lateral support			
Article name	Article-N°	Price	
Pad for pad holder Size 2			
<input type="checkbox"/> Pad 12 x 9 cm (incl. cover)	 12x9cm	N° 68590206 N° 68590204 N° 68590205	CPD 116,- €/P
<input type="checkbox"/> Pad 15 x 10 cm (incl. cover)	 15x10cm		
<input type="checkbox"/> Pad 18 x 13 cm (incl. cover)	 18x13cm		
Lateral support holder, adjustable			
<input type="checkbox"/> Adjustable holder for lateral support, incl. linkage Without pad	 N° 68590100	CPD 396,- €/P	
<input type="checkbox"/> Extension joint for foldable pad holder Extension for: Holder Size 1 (5,5cm)	 N° 68590115	CPD 124,- €/P	

Positioning belts		
Article name	Article-N°	Price
<input type="checkbox"/> 2-Point pelvic belt with PLASTIC fastener, incl. mounting material for self attachment	1 N° 780590	140,- €
<input type="checkbox"/> 2-Point pelvic belt with METAL fastener, incl. mounting material for self attachment	2 N° 780591	155,- €
<input type="checkbox"/> 4-Point pelvic belt with PLASTIC fastener, incl. mounting material for self attachment	3 N° 780592	180,- €
<input type="checkbox"/> 4-Point pelvic belt with METAL fastener, incl. mounting material for self attachment	4 N° 780593	195,- €
<input type="checkbox"/> Protection cap for pelvic belt with metal fastener (see N° 780591 oder N° 780593) Makes independent opening for the patient difficult.	5 N° 78050210	19,- €
<input type="checkbox"/> Chest-shoulder belt without zipper, incl. mounting material for self attachment	6 N° 781010	199,- €

--	--	--	--	--	--

Belt holder	
Upper belt holder	Lower belt holder
<input type="checkbox"/> for attaching positioning belts, incl. connection for square tube A headrest with a square tube is required to install the belt holder	<input type="checkbox"/> for the attachment of 2-point/4-point and/or chest-shoulder belts. Not with seat cover
N° 780130	N° 782000
95,- €	59,- €

Abduction wedges Not with seat cover				
Article name	Article-N°	Price		
<input type="checkbox"/> abduction wedge, incl. holder and pad, Size S	N° 1952	209,- €		
<input type="checkbox"/> abduction wedge, incl. holder and pad, Size M	N° 1953	209,- €		
<input type="checkbox"/> abduction wedge, incl. holder and pad, Size L	N° 1954	209,- €		
<input type="checkbox"/> Holder for abduction wedge (without pad)	N° 1951	165,- €		

Foot fixation			
Article name	Article-N°	Price	
<input type="checkbox"/> with Velcro/fleece fastener and guide roller, Size. 1	N° 781201	199,- €	
<input type="checkbox"/> with Velcro/fleece fastener and guide roller, Size. 2	N° 781202	199,- €	
<input type="checkbox"/> with Velcro/fleece fastener and guide roller, Size. 4	N° 781203	199,- €	

Transport brackets	
Compatibility with electrical drive systems or Outdoor-Front-End	Transport brackets
<p>Please tick appropriate box if number N° 58507105 was selected (Without tipping an appropriate box, delivery will be without compatibility to additional systems):</p> <p><input type="checkbox"/> Outdoor-Front-End (restraint brackets at the front) <input type="checkbox"/> Additional electrical drive system (restraint brackets at the back) <input type="checkbox"/> Neither</p> <p>Restraint brackets must be replaced by a subsequent fitting of an Outdoor-Front-End or an electrical drive system to the wheelchair</p>	<input type="checkbox"/> Transport brackets (4 pieces) for transportation in a handicapped accessible passenger car
	N° 58507110 CPD 380,-€

Electric drives and systems		
Recommendations	Provider	Information
1. For all possible drives and systems we recommend casters of 6" or higher. 2. Please regard the respective mounting possibilities and specifications given on the home-pages indicated on the right	for example www.aat-online.de or www.alber.de	Restrictions and adjustments to the installation and the final configuration of the wheelchair are the responsibility of the providers of the additional systems.

Notes:

Abbreviations:

piece - pcs	seat width - SW	lower leg length - LLL
pair - P	seat depth - SD	customized product discount - CPD
trade discount - TD	back height - BH	Additional charge - AC
configuration - cf.		

Terms and conditions

1. Preface and Scope

(1) Our terms and conditions apply exclusively. Any deviating, opposing, or complementing terms and conditions on the part of the business partner do not form integral part of contract unless explicitly approved of by us. There are no exceptions to the consent requirement, which also applies in cases where we conduct deliveries without restrictions while aware of the business partner's terms and conditions.

(2) Agreements made in the individual case with the purchaser (including side-agreements, supplements, and alterations) always take priority over these terms and conditions. A contract or our confirmation - both in written form - are authoritative for the content of such arrangements.

(3) Any legally relevant declarations and notifications the purchaser submits to us after conclusion of the contract (e.g. setting of deadlines, notice of defects, declarations of rescission or abatement) require the written form to be valid.

(4) Any information on the application of legal regulations serves the mere purpose of clarification. All regulations are legally binding without any such clarifications unless explicitly altered or excluded in these terms and conditions.

2. Prices

All prices are ex works, excluding insurance and packaging. The prices are net prices; the value-added tax is stated and charged separately according to the legally binding rate at the time of invoicing. The prices valid on the day of delivery are binding unless explicitly arranged otherwise.

3. Conclusion of Contract

SORG's offers are invitatio ad offerendum (invitations to treat). Ordering goods counts as an obligatory offer of contract on the part of the purchaser. Unless the order suggests otherwise, we have the right to accept this contract offer within two weeks time after reception. The acceptance of an offer of contract is effected by the confirmation of the order.

4. Terms of Payment

(1) Provided that no other agreements exist, payment is to be made by paying in advance - 50% at placing of order, 50% pre-delivery of goods. The purchaser bears any costs arising from transactions or discounting.

(2) If a 30-day payment deadline is exceeded, a delay rate of 9% on top of the respective base rate of the European Central Bank falls due without the need for prior notices. Beyond that, the purchaser is charged 3,- € for any reminder sent. We reserve the right to make use of the commercial due rate according to § 353 HGB. A higher damage for delay may be enforced via a suitable verification.

5. Offers and Validity

All current price lists are generally valid until December 31 of the respective year, or until new price lists are published. The latest version of the price list will always be provided on our homepage. Offers older than 3 months at that point expire and must be replaced with new offers and prices.

6. Time of Delivery and Delay

We state the terms of delivery when accepting the order. The delivery date is non-binding and has mere guideline value - especially with regard to customised products. The terms for delay in delivery are defined by legal regulations. In any case, a writing notice issued by the purchaser is necessary for them to take effect.

7. Force Majeure (Act of God)

(1) SORG is not to be held responsible for the following delays of delivery. This also applies if these causes occur with respect to legal representatives, auxiliary persons, or deliverers of SORG: Circumstances of force majeure as well as other extraordinary events that are unpredictable and unavoidable for, and not caused by, SORG, and that only occur after ordering or reserving, and that SORG could not have known about. Moreover, this applies in case of strikes, fire, floods, labour disputes, business disruptions, altered magisterial approbation and legal situation, and magisterial orders which are not due to operational risks.

(2) In the cases of paragraph 1, SORG is eligible to delay delivery/performance for the time of hindrance as well as an appropriate start-up time. If SORG thus causes unacceptable complications for the purchaser, both SORG and the purchaser are eligible to withdraw from the contract. Circumstances that only lead to a temporal and hence acceptable delay of delivery and performance are excluded from this right. The legal rights of the client remain unaffected.

8. Dispatch

We generally dispatch uncovered by insurance and at the recipient's risk. We transfer the risk of coincidental loss or deterioration of the goods as well as delay on to the client at the moment of passing the goods on to the forwarder, bearer, or any other person/institute responsible for delivery. SORG will make any effort to respect the client's wishes in terms of path and kind of delivery. Any costs caused by this (including agreed carriage free delivery) are to be covered by the client.

In the case of carriage free delivery conducted by SORG, the recipient is required to put forward any carriage costs for a refund. If the client wishes the dispatch to be delayed, any risk of loss or deterioration of the goods is carried by the recipient from the first day of readiness for dispatch. The goods dispatched are only insured upon special demand and at the cost of the recipient.

9. Damage through Delivery/Angelieferte Gegenstände sind, auch wenn sie unwesentliche Mängel Upon delivery, the goods need to be checked for obvious damage in the presence of the bearer. Any damage is to be documented in a written form and co-signed by the bearer. This protocol is to be forwarded to us immediately. Delayed reclamations, or reclamations not signed by the bearer, cannot be taken into account.

10. Warranted Features, Receipt, and Technical Alterations

Delivered objects, even with minor damage, are to be accepted by the client, even if §433.paragraph 1 BGB is not fulfilled. Partial deliveries are permissible. Features only count as warranted if explicitly designated as such. A warranty of condition can only be asserted explicitly and in a written form. SORG reserves the right for technical alterations, especially for solutions of equal or higher value.

11. Warranty for Defects

(1) SORG warrants for any defects of delivered new goods for 12 months as long as the purchaser is not the user (§§ 474, 13 BGB). Should the purchaser be the user then the warranty period is 2 years for new goods, for used goods 12 months. Should the purchaser also be an entrepreneur, then the liability for used items is void, as long as there is no claim for compensation according to N° 12.

(2) The purchaser's claim for defects presuppose that he has attended his obligation to give notice of defects on the legal grounds for his reasons of inquiry (§§ 377, 381 HGB). If defects are found during the inspection or at a later point, we are to be notified in writing without delay. The notice counts as not delayed if issued within two weeks. Posting the notice on time suffices for the keeping of the term. Independently from this obligation to inspect and give notice, the purchaser

is to report obvious defects (including wrong and short delivery) within two weeks upon delivery (again, posting the notice on time suffices). If the purchaser misses the proper inspection and/or notice of defects, we do not warrant for the reported defects. If the delivered good is defective, we may choose to conduct supplementary performance either by repairing the defect (subsequent improvement) or by delivering flawless goods (compensation delivery). Our right to refuse the chosen method of supplementary performance on the respective legal grounds remains untouched.

(3) Our liability for defects expires when alteration or maintenance works are done by the client or a third-person-party without our prior written permission. Consequences of excessive strain, negligent or incorrect handling, and violent damage are excluded from the warranty for defects.

12. Further Liability

(1) With respect to compensation - regardless of the legal cause - SORG is only liable in case of malice and act of gross negligence. In case of slight negligence, SORG is only liable for damage of life, body, health, and for damage caused by the negligence of an essential contractual obligation (an obligation whose fulfilment make the proper realisation of the contract possible in the first place and in whose fulfilment the contract partner regularly trusts and can trust). In this case, however, our liability does not exceed the covering of predictable, typically occurring damage.

(2) A free right to termination on the part of the purchaser (acc. to § 651, 649 BGB in particular) is precluded. Otherwise, the usual prerequisites and legal consequences apply.

13. Costs of Supplementary Performance

Costs of supplementary performance cannot be charged on SORG's account.

14. Voluntary Withdrawal of Goods

SORG is not obliged to take back any delivered end products or parts thereof. If SORG voluntarily decides otherwise in individual cases (especially for therapeutically altered requirements or deaths), SORG refunds a maximum of 75% of the delivery costs for unused parts whose delivery does not date back more than three months. There is no legal obligation concerning withdrawal in this respect. Deliveries which date back more than three months as well as sewed parts and customised products are not returnable. A copy of the delivery note or the bill serves as proof of age of delivery.

15. Reservation of Ownership

Goods delivered by SORG remain the property of SORG until any obligations from the parties' business contract on the part of the purchaser have been redeemed. This also applies if SORG has adapted individual or all claims into a running account which has been balanced and acknowledged. The purchaser has the right to dispose of the goods in the proper course of business. The purchaser hereby yields all claims to SORG which arise from the resale against the purchaser or third parties. The purchaser is authorised to withdraw these claims even upon conveyance. SORG's right to withdraw the claims remains untouched. However, SORG is obliged not to withdraw the claims as long as the purchaser complies with his duty of payment and any other duties. SORG has the right to demand that the purchaser makes known the yielded claims and their debtors, that he provides all information necessary for conveyance, and that he hands in all associated documents. As long and insofar the reservation of ownership is intact, the purchaser must not transfer any goods for securing or bailment without SORG's permission. The purchaser may process or alter the goods for the benefit of SORG exclusively. If processed with other goods which do not belong to SORG, SORG obtains co-ownership of these new goods in relation to the invoice value to the cost price of the other processed goods. If a third party interferes with SORG's ownership, the purchaser is to notify SORG immediately. The purchaser must not make any agreements with other purchasers which may exclude or limit SORG's rights. In particular, the purchaser must not make any agreements which destroy or limit the advance assignments to SORG. If the estimated value of the existing guarantees exceeds the claims to be ensured by more than 20%, SORG is insofar obliged to release by request of the purchaser.

16. Copyright Protection

If SORG conveys any images, drawings, indications of weight or measurements, technical documentations, or other product descriptions and documents (including electronic ones), the respective indications only apply if explicitly stated that they do. SORG reserves ownership and copyright of all these documents. They may only be made available to third parties upon SORG's explicit permission.

17. Place of Fulfilment, Place of Jurisdiction, and Severability Clause

(1) The law of the Federal Republic of Germany applies for these Terms and Conditions and all legal relations between us and our business partners. All international and supranational (contractual) legal systems, the UN Convention on Contracts for the International Sale of Goods in particular, are hereby excluded. Prerequisites and effects of the reservation of ownership acc. to no. 15 are subject to the right of the respective storage location of the good if the choice of law made in favour of the German law is illegitimate or ineffective. The only place of jurisdiction (also on an international basis) for any disputes arising directly or indirectly from the contractual relationship is, according to German Commercial Code, our office in Oberhausen-Rheinhausen, Germany. However, we also have the right to file a suit concerning the general jurisdiction of the purchaser.

(2) If any clause in these Terms of Conditions should turn out to be ineffective, this does not affect the effectiveness of all other clauses.

Technical alterations and misprints reserved. As of: January 2017

SORG Rollstuhltechnik GmbH + Co. KG
Benzstr. 3-5, 68794 Oberhausen-Rheinhausen / Germany
Phone +49 7254 / 9279-0
Fax +49 7254 / 9279-10
info@sorgrollstuhltechnik.de, www.sorgrollstuhltechnik.de