



Activity wheelchair with foldable frame, suitable for children and adolescents

Included in the base price:

- SW, SD (only with seat upholstery) and BH grows with the child without exchanging frame parts, purchased parts may be necessary (depending on configuration)
- Frame straight or abducted
- Pneumatic or solid tyres
- Foldable frame with 1,5-fold cross brace
- Back cover and adjustable seat cover with storage bag
- Standard wheel lock

Quotation

Order

Weight capacity: 75 kg

German aid index N° 18.50.03.1079

Base price 2.970,- €

Prices excl. VAT,

valid from 15.01.2024 and until further notice.

Delivery address / Company stamp:	Billing address: <input type="checkbox"/> same as delivery address
Name:	Name:
Address:	Address:

Ordering information:	
Reference/ internal description:	Date:
Contact person:	Signature:



Frame		Measures (Please note our information page „Configurations and Adjustments“ at the end of this order form)	
Frame design		Seat width	Seat depth
<input type="checkbox"/> straight (from SW 28)	<input type="checkbox"/> 6 cm abduction	+ 2 cm extension each	+ 4 cm extension each
		<input type="checkbox"/> 24 <input type="checkbox"/> 26 <input type="checkbox"/> 28 <input type="checkbox"/> 30 <input type="checkbox"/> 32 <input type="checkbox"/> 34 <input type="checkbox"/> 36 <input type="checkbox"/> 38	<input type="checkbox"/> 26 <input type="checkbox"/> 28 <input type="checkbox"/> 30 <input type="checkbox"/> 32 <input type="checkbox"/> 34 <input type="checkbox"/> 36 <input type="checkbox"/> 38
N° 597496	0,- €	N° 597497	0,- €
N° 10..	0,- €	N° 11..	0,- €

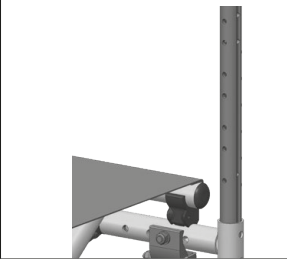
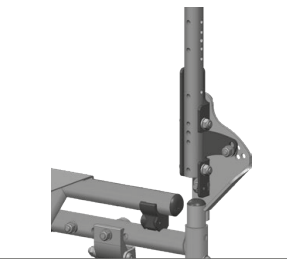
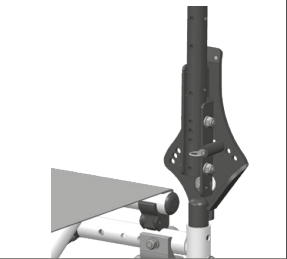

Measures		
Back height	Back height	Info back height
back tube standard + 5 cm extension each	back tube reinforced + 5 cm extension each	The STANDARD BACK TUBES can be extended in 2.5 cm increments by max. 5 cm vertically offset.
<input type="checkbox"/> 25 cm (...25) <input type="checkbox"/> 30 cm (...30) <input type="checkbox"/> 35 cm (...35) <input type="checkbox"/> 40 cm (...40)	<input type="checkbox"/> 25 cm (...252) <input type="checkbox"/> 30 cm (...302) <input type="checkbox"/> 35 cm (...352) <input type="checkbox"/> 40 cm (...402) <input type="checkbox"/> 45 cm (...452) <i>recommended for increased pressure (e.g. Spasticity etc.).</i>	The REINFORCED BACK TUBES can be extended by 5 cm vertically offset.
N° 12..	0,- €	N° 12..
		AC 99,- €



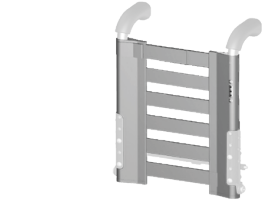

Frame extension by 4 cm backwards	
Shifting of the center of gravity	Frame construction for seat shells
Frame extension by 4 cm backwards for the adjustment of a VERY ACTIVE center of gravity. The complete seat moves backwards by 4 cm. <input type="checkbox"/> incl. frame extension by 4 cm backwards incl. shifting of the back tubes by 4 cm backwards incl. shifting of the seat plate (SeatFix) by 4 cm backwards at constant seat depth <i>Please indicate the actual seat depth of the user in the field „seat depth“.</i> Equipment SeatFix (N° 1926) possible from seat depth 32, Otherwise possible from seat depth 30	Frame extension by 4 cm backwards for the installation of a seat shell. With this, you can compensate the installation depth of a seat shell back. <input type="checkbox"/> without nylon seat cover and back cover incl. stabilizer bar / extension of the frame by 4 cm backwards / shifting of the seat tubes by 4 cm backwards In the field „seat depth“ please indicate the sum of: SD user PLUS installation depth of the seat shell back! e.g.: seat depth user = 32 cm install. depth back of seat shell = 6 cm your seat depth specification = 38 cm Possible from seat depth 30
N° 597498	AC 110,- €
	N° 597499
	0,- €

Frame colors and color anodization Design package			
Finish alternatives	Moderate metallic effect	Not metallic	Special colors (without additional charge, except for Nightblue)
<input type="checkbox"/> Shiny <input type="checkbox"/> Matt Not possible with special colors!	<input type="checkbox"/> Cream white (17) <input type="checkbox"/> Brilliant Blue (08) <input type="checkbox"/> Zinc yellow (02) <input type="checkbox"/> Dark Blue (16) <input type="checkbox"/> Chrome yellow (06) <input type="checkbox"/> Dark Green (15) <input type="checkbox"/> Pure Orange (21) <input type="checkbox"/> Goblin Green (33) <input type="checkbox"/> Crimson (04) <input type="checkbox"/> Titan Grey (34) <input type="checkbox"/> Girly Pink (19) <input type="checkbox"/> King´s Blue (32) <input type="checkbox"/> Pastel Blue (20)	<input type="checkbox"/> Black (31)	strong metallic effect: <input type="checkbox"/> Silver metallic (36) Coarse structured surface: <input type="checkbox"/> Coarse Black (27) Dormant colors: <input type="checkbox"/> Firered Dormant (45) <input type="checkbox"/> Violet Dormant (50) Dormant color with additional charge AC 90,-€ <input type="checkbox"/> Nightblue Dorm. (47)
N° 1561	90,- €		



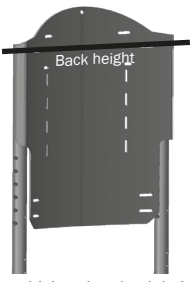
Design package color anodization (Color examples for anodized colors can be found on our website in the area equipment)		
<input type="checkbox"/> anodized Blue (01) <input type="checkbox"/> anodized Red (02) <input type="checkbox"/> anodized Green (03) <input type="checkbox"/> anodized Gold Orange (04) <input type="checkbox"/> anodized Violet (05)	The following parts are anodized: Assembly group caster (fork, caps, adapter, half shells, wheel spacer), hand rims The design package is only possible in the listed setting.	Restrictions: The hand rims are only available in the design package anodized colors by choosing aluminum hand rims. (not possible with stainless steel, Maxgrepp, PVC, double, nob or ergonomic hand rims. Also not possible with profile wheels).
N° 1571..	CPD 295,- €	

Seat		
Nylon seat cover	SeatFix	SeatFix Lock
<p>Nylon seat cover, adjustable, with storage bag Seat depth growable by 4 cm</p> <p>Color: <input type="checkbox"/> black <input type="checkbox"/> red <input type="checkbox"/> blue <input type="checkbox"/> grey</p> 	<p><input type="checkbox"/> Firm aluminum seat plate for optimized support of pelvic, plugged and removable Seat depth only growable with seat extension N° 191107</p> 	<p><input type="checkbox"/> Locking device for SeatFix, double-sided mounting under the seat</p> <p>N° 192021 198,- €/P</p>
		Seat extension
		<p><input type="checkbox"/> Aluminum seat extension for SeatFix (3 cm), screwed</p>
N° 1914 0,- €	N° 1926 175,- €	N° 191107 114,- €

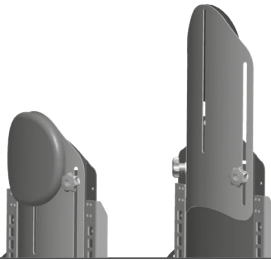
Back unit			
Back angle			
<p><input type="checkbox"/> Standard back angle 90°, back tubes adjustable in height (max. 5 cm), screwed into the frame tube.</p> 	<p><input type="checkbox"/> Back angle firmly adjustable with screwing from 80°-105°, incl. stabilizer bar</p> 	<p><input type="checkbox"/> Back angle adjustable with raster and completely stowable, incl. stabilizer bar</p> 	<p><input type="checkbox"/> Back angle steplessly adjustable by 30° with gas pressure device, incl. stabilizer bar (from BH 35).</p> <p>Extendable push handles and anti tipper required! Not with N° 597498 (shifting of the gravity center) Not approved for transportation in a passenger vehicle! Not in combination with Standard back cover N° 6710 Desk side guards and long side guards are not detachable or swiveling outwards.</p> 
N° 6237 0,- €	N° 6231 200,- €	N° 6109 285,- €	N° 6107 560,- €

Back unit			Connection
Stabilizer bar	Back cover		for back shell
<p><input type="checkbox"/> Stabilizer bar</p> <p>For stabilization of the back cover (see back angle: Already included in most positions)</p> 	<p>Standard cover</p> <p><input type="checkbox"/> black <input type="checkbox"/> red <input type="checkbox"/> blue <input type="checkbox"/> grey</p> <p>Not in combination with back angle N° 6107 (Back angle with gas pressure spring)</p> 	<p><input type="checkbox"/> Adjustable cover with strap system, incl. back cushion (thickness 2 cm) Choice of cover color on page 3.</p> 	<p>Back shell connection, black, can be clamped to the stabilizer bar</p> <p><input type="checkbox"/> 1 Piece up to max SW28 <input type="checkbox"/> 2 Pieces necessary from SW30</p> 
N° 6400 110,- €	N° 6710 0,- €	N° 6701.. 240,- €	N° 696401 44,- €/ pcs



Curved back plate

Model 1	Model 2	Model 3
Firm curved back plate, BH+2 cm; cavity: <input type="checkbox"/> 15 mm (..015) <input type="checkbox"/> 30 mm (..030) <input type="checkbox"/> 50 mm (..050)	Firm curved back plate, BH+10 cm; cavity: <input type="checkbox"/> 15 mm (..115) <input type="checkbox"/> 30 mm (..130) <input type="checkbox"/> 50 mm (..150) BH+20 cm; cavity: <input type="checkbox"/> 15 mm (..215) <input type="checkbox"/> 30 mm (..230) <input type="checkbox"/> 50 mm (..250)	Firm curved back plate, BH+5 cm; cavity: <input type="checkbox"/> 15 mm (..315) <input type="checkbox"/> 30 mm (..330) <input type="checkbox"/> 50 mm (..350) BH+10 cm; cavity: <input type="checkbox"/> 15 mm (..415) <input type="checkbox"/> 30 mm (..430) <input type="checkbox"/> 50 mm (..450)
		
Straight upper edge, 2 cm higher than back height..	Straight upper edge, 10 or 20 cm higher than back height.	Curved upper edge, 5, 10 or 15 cm higher than back height.
N° 693.. 315,- €	N° 693.. 399,- €	N° 693.. 399,- €

Back extension

Retractable back extension	Restrictions in combination with curved back plate
<input type="checkbox"/> Back extension up to 17.5cm, with detachable head pad; weight saving in comparison to a head rest approx. 1000 g Only in combination with curved back plate. Not possible for head rest (N° 6861..). Unsuitable as a headrest for the transport of a disabled person in a passenger vehicle!	<ul style="list-style-type: none"> • from SW28 with standard back angle 90° (6237) • from SW30 with adjustable back angle (6109 / 6231 / 6107) Model 1: • from BH 35 cm / curve depth 50 mm only from SW30 Model 2: • Not possible Model 3: • from BH 35 cm / curve depth 50 mm only from SW30 • only with BH+5 cm
	
N° 686069 299,- €	

Seat cushion (All covers with zipper and changeable)


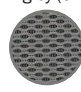



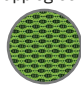



Without cushion / cover	Seat cushion	Anatomical cushion
<input type="checkbox"/> WITHOUT cushion (please mark if no pillow is required)	Synthetic foam for firm comfortable seating <input type="checkbox"/> 3 cm (..03)  <input type="checkbox"/> 5 cm (..05)	<input type="checkbox"/> Anatomically formed, with slight abduction, changeable cover (The thickness of the cushion at the front is 5-6 cm, depending on the size of the cushion) Customized product 
N° 998002	N° 80 .. 105,- €	N° 891002 CPD 499,- €
<input type="checkbox"/> WITHOUT cover Seat cushion / anatomical cushion without cover	<input type="checkbox"/> Additional cover for seat cushions as configured	<input type="checkbox"/> Additional cover for anatomical cushion
N° 998001 ./.. 30,- €	N° 8201 85,- €	N° 891003 CPD 186,- €
	<input type="checkbox"/> incontinence cover for seat cushion	<input type="checkbox"/> Incontinence cover for anatomical cushion
	N° 86.. 105,- €	N° 891004 CPD 190,- €

Back cushion (all covers with zipper and changeable)

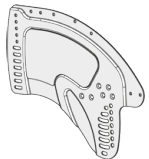

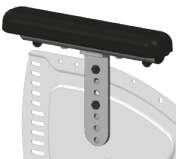
Without back cushion / cover	Standard cushion	Anatomical back cushion
<input type="checkbox"/> NO back cushion (please tick if no cushion is required)	<input type="checkbox"/> Standard cushion for curved back plate , 3 cm thick, with zipper, (choice of cover color below) N° 8517 165,- €	Anatomically formed, incl. changeable cover. cavity: <input type="checkbox"/> 3 cm (..04) } Only in combination with the appropriate curve depth of the selected curved back plate. <input type="checkbox"/> 5 cm (..06) } Not possible with adjustable back cover N° 6701.. & 6710 Customized product
N° 998502	<input type="checkbox"/> Standard cushion for back cover , 3 cm thick, with zipper (choice of cover color below) N° 8514 140,- €	N° 8911.. CPD 299,- €/Pcs
<input type="checkbox"/> WITHOUT cover back cushion / anatomical back cushion without cover	<input type="checkbox"/> Additional cover for back cushion as configured	<input type="checkbox"/> Additional cover for anatomical back cushion
N° 998501 ./.. 30,- €	N° 8501 85,- €	N° 891110 CPD 155,- €/Pcs

Choice of Trevira cover colors for seat cushion / anat. seat cushion / back cushion / anat. back cushion

Please choose our color of the selected covers:

<input type="checkbox"/> black (30)	<input type="checkbox"/> grey (31)	<input type="checkbox"/> nightblue (32)	<input type="checkbox"/> ultramarine blue (33)	<input type="checkbox"/> petrol (34)	<input type="checkbox"/> applegreen (35)	<input type="checkbox"/> burgundy (36)	<input type="checkbox"/> red (37)	<input type="checkbox"/> pink (38)
								
N° 80.. (seat cushion / anat. seat cushion) /			N° 85.. (back cushion / anat. back cushion) /			N° 6701.. (adjustable back cover)		

Side guards and arm pads

Standard side guard	Clothes guard	Arm pad
<input type="checkbox"/> Straight, adjustable in height <i>incl. insulation protection pads</i> 	<input type="checkbox"/> Component of synthetic and aluminum parts, adjustable in height <i>incl. insulation protection pads</i> 	<input type="checkbox"/> for chosen side guard, pad length 24 cm, adjustable in height 
N° 4525 0,- €/P	N° 5024 170,- €/P	N° 452600 220,- €/P


Specification of lower leg length (LLL) / Cushion thickness / Distance

Specify:
Lower leg length (LLL)

Specify:
Cushion thickness

Result: **Wheelchair dimensions** Distance upper edge of the seat and the upper edge of the footplate - Cushion thickness

All measurements in cm



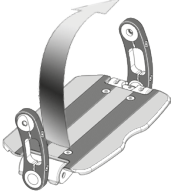
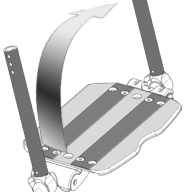
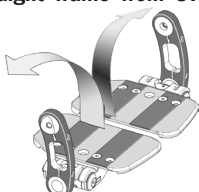
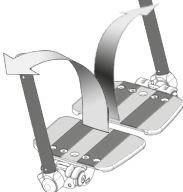

Lower leg length:
Specification of the distance in cm between the hollow of the knee and the sole of the foot at a 90° knee position angle

Thickness seat cushion:
Indication of the thickness of the planned seat cushion

Wheelchair Dimensions:
Distance from the upper edge of the seat to the upper edge of the footrest in cm (without taking into account the thickness of the seat cushion). From your information regarding the lower leg length and thickness of the seat cushion, we calculate the distance from the top edge of the seat to the top edge of the footrest and mount this on the leg support you have chosen.

Example:
Your information: LLL = 38 cm, seat cushion thickness = 5 cm
Manufacturer assembly: In this example, SORG mounts the footrest at a distance of 33 cm from the footrest.

Leg support with foot rest (adjustable in height, depth and angle)

Model 1	Model 2	Model 3	Model 4	Model 5
<input type="checkbox"/> Internal mounting, undivided foot rest, hinged sideways 	<input type="checkbox"/> External mounting, undivided foot rest, hinged sideways 	<input type="checkbox"/> Internal mounting, divided foot rest, hinged sideways, straight frame from SW 30 cm 	<input type="checkbox"/> External mounting, divided foot rest, hinged sideways 	<input type="checkbox"/> Similar to model 2, additionally turnable outwards 
Possible distances: 'Seat/Foot plate' measured WITHOUT SEAT CUSHION: 2.5-30 cm	Possible distances: 'Seat/Foot plate' measured WITHOUT SEAT CUSHION: 30-46 cm	Possible distances: 'Seat/Foot plate' measured WITHOUT SEAT CUSHION: 2.5-30 cm	Possible distances 'Seat/Foot plate' measured WITHOUT SEAT CUSHION: 30-46 cm	Possible distances 'Seat/Foot plate' measured WITHOUT SEAT CUSHION: 30-46 cm
N° 403601 0,- €	N° 403610 0,- €	N° 403602 185,- €	N° 403612 200,- €	N° 403611 245,- €
ATTENTION: Model 3 (N° 403602) and Model 4 (N° 403612) not for patients with spastic disease.				

Leg support options

Heel cups	Belts for heel cups	Locking mechanism
Heel cups, aluminum black for mounting on foot plate <input type="checkbox"/> size 1 12,5 x 8 cm (...31) <input type="checkbox"/> size 2 14,5 x 10 cm (...32) <input type="checkbox"/> size 3 16,5 x 12 cm (...33)	<input type="checkbox"/> Matching belts to the selected heel cups (N° 4020..)	<input type="checkbox"/> Locking mechanism for leg support models with undivided foot rest
N° 4020.. 78,- €/P	N° 402015 108,- €/P	N° 403910 80,- €

Push handles		
Standard	Extendable push handles	Push bar
<input type="checkbox"/> Long handle (see on the pictures), firm, 4 cm above back height N° 623701 0,- €	Shape: Straight <input type="checkbox"/> 15 cm (..01) <input type="checkbox"/> 25 cm (..02) Cranked <input type="checkbox"/> 15 cm (..05) <input type="checkbox"/> 25 cm (..06)	<input type="checkbox"/> Push bar incl. extendable push handles with long handles If you select push handles „Straight shape“ is the push bar only possible from SW30 cm.
<input type="checkbox"/> Short handle (see on the pictures) 4 cm above back height Not in combination with drum brake! N° 623703 30,- €/P	Not in combination with drum brake!	<input type="checkbox"/> Extendable push handle with long handle (cf. on the left) N° 65.. 264,- €/P <input type="checkbox"/> Extendable push handle with short handle (cf. on the left) Not in combination with drum brake!
long handle (11 cm) short handle (7 cm)	long handle (11 cm) short handle (7 cm)	N° 65..+ 623702 294,- €/P N° 6550 425,- € foldable, so that the wheelchair can be folded

Brakes			Brake lever extensions	
Knee lever brake	Single-hand brake	Drum brake	Straight 6 cm	Cranked 12 cm
<input type="checkbox"/> Standard N° 3525 0,-€	Knee lever brake with single hand control Mounting <input type="checkbox"/> left (..01) <input type="checkbox"/> right (..02)	<input type="checkbox"/> for standard-, profile or lightweight wheels (N° 21..30/31/81), incl. brake lever for attendant	straight, 6 cm long <input type="checkbox"/> with top cover N° 3510 58,-€/P	cranked, 12 cm long <input type="checkbox"/> with top cover N° 3515 68,-€/P
<input type="checkbox"/> lockable in activated or deactivated position N° 3513 190,-€/P	N° 3509.. 336,-€/P	N° 220036 325,- €	straight, 6 cm long <input type="checkbox"/> with ball knob <input type="checkbox"/> mit Golfball knob N° 3512 68,-€/P	cranked, 12 cm long <input type="checkbox"/> with ball knob <input type="checkbox"/> mit Golfball knob N° 3516 78,-€/P
<input type="checkbox"/> Pull to lock In contrast to the standard knee lever brake, the pull to lock knee lever brake is operated by pulling. N° 3529 70,-€/P	<input type="checkbox"/> Averts automatically the risk of rolling backwards without affecting forward movements Recommended for a user weight up to max. 75 kg A knee lever brake function is included with the rollback blocking! It is not possible to select an additional knee lever brake. N° 3526 CPD 350,-€/P	<input type="checkbox"/> integrated in activity side panels Only with clothes guard N° 5024 Not with wheel base extension N° 7601 N° 3531 240,-€/P		

Wheel size, wheel camber and degree of activity

Wheel size / Seat depth (Recommendation in bold)				Wheel camber		Degree of activity
Size in inches	Seat depth	Frame Standard	Frame extension by 4cm backwards	Wheel camber Standard Wheels	Wheel camber Drum brake	<input type="checkbox"/> Position 1, very active <input type="checkbox"/> Position 2, standard setting (if not specified) <input type="checkbox"/> Position 3, very passive The degree of activity corresponds to the axle plate position (see left) The combination of certain components might cause restrictions; in this case the next possible degree of activity will be chosen.
<input type="checkbox"/> 20"	26 / 28	20" / 22"	-	<input type="checkbox"/> 0°	<input type="checkbox"/> 2° (not recommended)	
<input type="checkbox"/> 22"	30 / 32	22" / 24"	20" / 22"	<input type="checkbox"/> 2°	<input type="checkbox"/> 5°	
<input type="checkbox"/> 24"	34 / 36	22" / 24"	22" / 24"	<input type="checkbox"/> 5°	<input type="checkbox"/> 8°	
	38	22" / 24"	22" / 24"	<input type="checkbox"/> 8°		

Seat height FRONT Please select the front seat height (Measurements in cm)

Mounting position Size Caster wheel	Caster fork Size M (Medium)							Caster fork size L (Long)	
	Pos. 1	Pos. 2	Pos. 3	Pos. 4	Pos. 5	Pos. 6	Pos. 7	min	max
4"	39,5	41	42,5	43,5	45	46	47,5		
5"	41	42,5	44	45	46,5	47,5	49		
5,5"		43	44,5	45,5	47	48	49,5		
6"		43,5	45	46	47,5	48,5	50		

All information with ± 2% tolerance

All specified dimensions can be reduced by 2.5 cm using a hemi adapter (N° 280540 AC 140 € - page 8).
 All white fields without hatching can also be reduced by 4 cm with the hemiadapter (N° 280541 AC 140 € - page 8). = No reduction of 4 cm.

Rear seat height Please select the rear seat height (Measurements in cm)

Mounting position Size Rear wheel	Mögliche Sitzhöhen je Montageposition						min	max
	Pos. 1	Pos. 2	Pos. 3	Pos. 4	Pos. 5	Pos. 6		
Größe Antriebsrad								
20 x 1"	34	36	38	40	42	44		
20 x 1 3/8"	35	37	39	41	43	45		
22 x 1"	36	38	40	42	44	46		
22 x 1 3/8"	37	39	41	43	45	47		
24 x 1"	38,5	40,5	42,5	44,5	46,5	48,5		
24 x 1 3/8"	39,5	41,5	43,5	45,5	47,5	49,5		

All information with ± 2% tolerance

The dimensions of the two seat height tables are based on a standard configuration (2° wheel camber / degree of activity 2 / seat angle 5°).
 Any changes to the configuration can change the seat height. We recommend a difference between the front and rear seat height of a maximum of 3-5 cm (depending on the seat depth).

- 1 Note:** Mounting position 1, in conjunction with a seat angle >5°, can restrict the use of the anti tipper.
- 2 Note:** Not in combination with clothes guard N° 5024.

Wheels

Standard wheel	Profile wheel	Lightweight wheel with standard hub	Lightweight wheel with drum brake hub	Double handrim
<input type="checkbox"/> All-round wheel Additional weight of approx. 900g/wheel compared to lightweight wheels	<input type="checkbox"/> Unity of handrim and rim, reduces the risk of finger injuries Additional weight of approx. 800g/wheel compared to lightweight wheels Note: Profile wheels are no longer in our product pallet for an indefinite period of time. Alternatives can be found under article handrim very close to the rim (page 7, N° 3015) or Maxgrepp ERGO-PARA handrims (page 7; N° 34..).	<input type="checkbox"/> with standard hub Very lightweight, incl. aluminum handrim Weight reduction of approx. 900g/pair compared to standard wheels THE STANDARD HUB IS INCOMPATIBLE WITH THE DRUM BRAKE (N° 220036)!	<input type="checkbox"/> with drum brake hub, incl. black aluminum handrim Only in combination with drum brake (N° 220036) (mind additional charge) Weight reduction of up to 1.1 kg/pair compared to standard drum brake wheels Package price for lightweight wheels incl. drum brakes and brake lever for the attendant 455,- €/pair	with standard hub and double handrim Only up to 5° camber Mounting <input type="checkbox"/> left <input type="checkbox"/> right N° 2614 1099,- € with drum brake hub and double handrim Mounting <input type="checkbox"/> left <input type="checkbox"/> right N° 2615 1.199,- € <input type="checkbox"/> Handrim for the opposite side N° 261435 153,- € Distance of double handrim ¹ <input type="checkbox"/> standard 18mm (...11) <input type="checkbox"/> tight 9mm (...12)
N° 21..30 0,- €	N° 21..31 0,- €	N° 21..76 160,- €/P	N° 21..81 130,- €/P	N° 26.. 0,- €

¹ Double handrim, distance of handrims **tight**: Not in combination with hand rim cover or coated hand rim.

Tyres			Examples:	
Title	Item-N°	Price		
<input type="checkbox"/> Pneumatic Standard „Right Run“ 1“	1	N° 20..13		0,- €
<input type="checkbox"/> Pneumatic Standard 1 3/8“	2	N° 20..21		0,- €
<input type="checkbox"/> Pneumatic Performance „Marathon Plus“ 1“ Only for 22“ und 24“ wheels	3	N° 20..12		74,- € / P
<input type="checkbox"/> Solid standard tyres 1“	4	N° 23..11		0,- €
<input type="checkbox"/> Solid standard tyres 1 3/8“ <i>Not possible with lightweight wheels!</i>	5	N° 23..21	0,- €	

Hand rims (Not for profile wheels)				
Standard hand rim (Please choose type of installation AND material)				Mounting very closely to rim
Mounting type: <input type="checkbox"/> Standard / tight <input type="checkbox"/> Standard / wide <input type="checkbox"/> High / tight <input type="checkbox"/> High / wide } <i>Not possible on lightweight wheels with drum brakes.</i>		 Hand rim assembly Standard / tight		<input type="checkbox"/> Handrims mounted very closely to rim, reduces the risk of finger injuries Only for standard wheels and in aluminum N° 3015 CPD 142,-€
Material: <input type="checkbox"/> Stainless steel (..01) <input type="checkbox"/> Alu, silver anodized (..75)		 Hand rim assembly Standard / wide		
N° 30.. 0,- €		 Hand rim assembly High / tight		
 Hand rim assembly High / wide		N° 3015 CPD 142,-€		
PVC	Ergonomic	Maxgrepp ORIGINAL	Maxgrepp ERGO-PARA	Design hand rim
<input type="checkbox"/> Hand rim coated with black PVC, (Tetra Grip) 	<input type="checkbox"/> Hand rim with ergonomic hand rim profile, black anodized with integrated rubber grip Only for 24“	<input type="checkbox"/> Hand rims with a soft foam rubber coating. <i>Suitable for quadriplegics and wheelchair users with weakened hand function.</i> 	<input type="checkbox"/> Hand rims for pushing with heel of the hand (soft surface), 	<input type="checkbox"/> Aluminum hand rims coated in frame color color number: _____ The color numbers can be found next to the frame colors on page 1. Without specifying a color number, the selected frame color is used for coating. Anodized colors only possible in the design package.
N° 33.. 368,- €/P	N° 342424 420,- €/P	N° 341501.. 460,- €/P	N° 34.. 490,- €/P	N° 303000 TD 70,-€/P

Hand rim options			
Silicone cover for STANDARD hand rim	Silicone cover for DOUBLE hand rim	PVC cover for double hand rim	Ergo rubber inlay
Detachable silicone cover, black (soft surface), <input type="checkbox"/> for profile wheel (..02) <input type="checkbox"/> for lightweight wheel (..05) <input type="checkbox"/> for standard wheel (..20 - ..24) 	Detachable silicone cover, black <input type="checkbox"/> for inside rim <input type="checkbox"/> for outside rim <input type="checkbox"/> for opposing side Not in combination with double handrim distance tight N° 2612 Not for double hand rim 20“	<input type="checkbox"/> Handrim coating for double handrim, both handrims (inside and outside), coated with black PVC N° 262402 355,- € <input type="checkbox"/> Handrim coating for opposing side of the double handrim, coated with black PVC	<input type="checkbox"/> Rubber inlay, 13 mm wide. ONLY for profile wheels A notice: The Ergo cover is no longer in our product pallet for an indefinite period of time.
N° 32.. 156,- €/P	N° 3205 78,- €/Pcs	N° 262401 195,- €	N° 32 .. 01 210,- €/P

Spoke cover	Design Decors (Net prices are not discountable)		
Transparent <input type="checkbox"/> transparent (..00)	Please specify the desired model of the corresponding manufacturer: <input type="checkbox"/> www.speichen-schutz.de <input type="checkbox"/> www.wheelchairgadgets.com		
N° 25.. 172,- €/P	N° 25..26 TD 180,- €	N° 25..27 TD 180,- €	

Caster wheels				
Standard PU	Standard solid rubber	Standard pneumatic	Design PU	Design solid rubber
Polyurethan: <input type="checkbox"/> 4" (2812) <input type="checkbox"/> 5" (2805) <input type="checkbox"/> 6" (2803)	Solid rubber: <input type="checkbox"/> 4" (2804) <input type="checkbox"/> 5" (2809) <input type="checkbox"/> 5.5" (2802) <input type="checkbox"/> 6" (2811)	Pneumatic, grey: <input type="checkbox"/> 6" (2808)	Polyurethane, transparent, with LEDs: <input type="checkbox"/> 4" (2820) <input type="checkbox"/> 5" (2834)	Solid rubber black, with alu rim <input type="checkbox"/> 4" (2835) <input type="checkbox"/> 5" (2836) <input type="checkbox"/> 6" (2838)
0,- €	0,- €	0,- €	0,- €	0,- €

Caster forks			Steering options	
Standard aluminum	Design aluminum	Hemi-Adapter	Track fixation	Locking
<input type="checkbox"/> Alu fork, black anodized 	<input type="checkbox"/> Aluminum fork coated in frame color color N°: _____ The color numbers can be found next to the frame colors on page 1. Without specifying a color number, the selected frame color is used for coating. Anodized colors are only possible in the design package.	to reduce the front seat height around <input type="checkbox"/> 25 mm (.40) (only in combination with 5" caster!) around <input type="checkbox"/> 40 mm (.41) See table p. 6	<input type="checkbox"/> Caster wheel track fixation (straight)	<input type="checkbox"/> Locking mechanism for track fixation
N° 2826	N° 2829	N° 2805..	N° 2851	N° 2850
0,- €	TD 70,- €/P	140,- €/P	166,- €/P	208,- €/P

Frame options					
Anti tipper	Outdoor-Front-End	Splash guard	Baggage holder	Sun shade	Wheel base extension
Swingaway installation Mounting <input type="checkbox"/> left <input type="checkbox"/> right <input type="checkbox"/> pair 	<input type="checkbox"/> Outdoor Front End, adjustable in width and length, facilitates significantly active and passive driving on soft or rough surfaces, incl. mounting aid 	<input type="checkbox"/> Splash guard for Outdoor Front End, made of plastic 	<input type="checkbox"/> Transport aid, aluminum, mounted on leg support 	<p>The sunshade can be mounted with a few simple steps. The flexible "gooseneck" on which the sunroof is attached, is stable and well suited to keep the roof in the desired position and can be easily and intuitively set.</p>	<input type="checkbox"/> Variably adjustable sun shade, in black Usable height (from the top edge of the seat plate/seat cover to the apex) = selected back height + 40 cm Example: BH 30 + 40 cm = 70 cm <input type="checkbox"/> Extension set Increasing the usable amount of the sun shade by 14 cm.
N° 7215	N° 599520	N° 59951212	N° 910110	N° 910301	N° 910305
139,- €/Pcs	CPD 479,- €	CPD 85,- €	99,- €	TD 250,- €	TD 58,- €/ Set
Step tube	Crutch holder				
Mounting <input type="checkbox"/> left <input type="checkbox"/> right <input type="checkbox"/> pair 	Mounting <input type="checkbox"/> left <input type="checkbox"/> right <input type="checkbox"/> pair <p>Beispiel</p>				
N° 7400	N° 7101				
74,- €/Pcs	44,- €/Pcs				

Therapy tables Adjustable in height and distance, plugged under arm rests on both sides. Arm pads required!			
Article name	Example:	Article-N°	Price
<input type="checkbox"/> Therapy table Acrylic glass Size 1 (45 x 36 cm)		N° 920710	325,- €
<input type="checkbox"/> Therapy table Acrylic glass Size 2 (59 x 45 cm)		N° 920711	340,- €
<input type="checkbox"/> Therapy table Acrylic glass Size 3 (70 x 50 cm)		N° 920712	370,- €
<input type="checkbox"/> Therapy table Beech wood Size 1 (50 x 40 cm)		N° 920713	340,- €
<input type="checkbox"/> Therapy table Beech wood Size 2 (60 x 50 cm)		N° 920714	380,- €

Standard head rests Measures in mm (all measures ± 10mm)			
Article name		Article-N°	Price
<input type="checkbox"/> Standard head rest model 1 (shell-shaped small) including connection to stabilizer bar		1 N° 686121	375,- €
<input type="checkbox"/> Standard head rest model 3 (curved small) including connection to stabilizer bar		2 N° 686123	375,- €
<input type="checkbox"/> Standard head rest model 4 (curved large) including connection to stabilizer bar		3 N° 686124	375,- €
<input type="checkbox"/> Headrest cover, washable and changeable made of Trevira fabric Please specify a color and the two-digit color number (see page 6 at color choice of upholstery fabrics Trevira. If no color is specified, the color of the seat / back cushions is used. Color and Color number:	 Rear view	Example: Front view	N° 686050 89,- €
<input type="checkbox"/> Head rest holder for mounting on stabilizer bar for example for mounting headrests from other manufacturers Only select for non-SORG headrest		N° 68600890	39,- €

1 Model 1		2 Model 3		3 Model 4	
------------------	--	------------------	--	------------------	--

Lateral support (from back height 30 with extendable push handles, from back height 35 with standard push handles)			
Article name		Article-N°	Price
Pad for pad holder Size 1			
<input type="checkbox"/> Pad 10 x 7 cm (incl. cover)		N° 68590104	CPD 116,- €/P
<input type="checkbox"/> Pad 10 x 9 cm (incl. cover)		N° 68590105	CPD 116,- €/P
<input type="checkbox"/> Pad 12 x 9 cm (incl. cover)		N° 68590106	CPD 116,- €/P
Pad for pad holder Size 2			
<input type="checkbox"/> Pad 12 x 9 cm (incl. cover)		N° 68590206	CPD 116,- €/P
<input type="checkbox"/> Pad 15 x 10 cm (incl. cover)		N° 68590204	CPD 116,- €/P
<input type="checkbox"/> Pad 18 x 13 cm (incl. cover)		N° 68590205	CPD 116,- €/P
Lateral support holder, adjustable			
<input type="checkbox"/> Adjustable holder for lateral support, incl. linkage Without pad		N° 68590100	CPD 396,- €/P
Length difference of the holder size 1 to size 2 is about 4.5 cm			
<input type="checkbox"/> Extension joint for foldable pad holder Extension for: Holder Size 1 (3,8cm) Holder Size 2 (5,5cm)		N° 68590115	CPD 124,- €/P

Positioning belts		
Article name	Article-N°	Price
<input type="checkbox"/> 2-Point pelvic belt with PLASTIC fastener, incl. mounting material for self attachment	1 N° 780590	140,- €
<input type="checkbox"/> 2-Point pelvic belt with METAL fastener, incl. mounting material for self attachment	2 N° 780591	155,- €
<input type="checkbox"/> 4-Point pelvic belt with PLASTIC fastener, incl. mounting material for self attachment	3 N° 780592	180,- €
<input type="checkbox"/> 4-Point pelvic belt with METAL fastener, incl. mounting material for self attachment	4 N° 780593	195,- €
<input type="checkbox"/> Protection cap for pelvic belt with metal fastener (see N° 780591 oder N° 780593) Makes independent opening for the patient difficult.	5 N° 78050210	19,- €
<input type="checkbox"/> Chest-shoulder belt without zipper, incl. mounting material for self attachment	6 N° 781010	199,- €

Belt holder	
Upper belt holder	Lower belt holder
<input type="checkbox"/> for attaching positioning belts, incl. connection for square tube A headrest with a square tube is required to install the belt holder	<input type="checkbox"/> for the attachment of 2-point/4-point and/or chest-shoulder belts. Not with seat cover <p>Application example Illustration similar</p>
N° 780130 95,- €	N° 782000 59,- €

Abduction wedges Not with seat cover				
Article name	Article-N°	Price		
<input type="checkbox"/> abduction wedge, incl. holder and pad, Size S		N° 1952	209,- €	
<input type="checkbox"/> abduction wedge, incl. holder and pad, Size M		N° 1953	209,- €	
<input type="checkbox"/> abduction wedge, incl. holder and pad, Size L		N° 1954	209,- €	
<input type="checkbox"/> Holder for abduction wedge (without pad)	N° 1951	165,- €		

Foot fixation			
Article name	Article-N°	Price	
<input type="checkbox"/> with Velcro/fleece fastener and guide roller, Size. 1		N° 781201	199,- €
<input type="checkbox"/> with Velcro/fleece fastener and guide roller, Size. 2		N° 781202	199,- €

Transport brackets	
Compatibility with electrical drive systems or Outdoor-Front-End	Transport brackets
<p><i>Please tick appropriate box if number N° 58507423 was selected (Without tipping an appropriate box, delivery will be without compatibility to additional systems):</i></p> <p><input type="checkbox"/> Outdoor-Front-End (restraint brackets at the front)</p> <p><input type="checkbox"/> Neither</p> <p><small>Restraint brackets must be replaced by a subsequent fitting of an Outdoor-Front-End</small></p>	<p><input type="checkbox"/> Transport brackets (4 pieces) for transportation in a handicapped accessible passenger car</p>
	<p>N° 58507423 CPD 380,-€</p>

Electric drives and systems		
Recommendations	Provider	Information
1. For all possible drives and systems we recommend casters of 6" or higher. 2. Please regard the respective mounting possibilities and specifications given on the homepages indicated on the right.	for example www.aat-online.de or www.alber.de	Restrictions and adjustments to the installation and the final configuration of the wheelchair are the responsibility of the providers of the additional systems.

Combinations rear wheels / caster wheels			
Sizes Rear wheels	Seat depths	Recommendations Caster wheels	Restrictions Caster wheels
20"	26 - 28	4" - 5"	>5" Only activity degree 1 and 2
22"		4" - 5"	>5" Only activity degree 1 and 2
22"	30 - 32	4" - 6"	none
24"		4" - 5,5"	at 6" only activity degree 1 and 2
22"	34 - 38	4" - 6"	none
24"		4" - 5,5"	at 6" only activity degree 1 and 2

Notes:

Abbreviations:

piece - pcs	seat width - SW	lower leg length - LLL
pair - P	seat depth - SD	customized product discount - CPD
Trade discount - TD	back height - BH	Additional charge - AC
configuration - cf.		

Terms and conditions

1. Preface and Scope

(1) Our terms and conditions apply exclusively. Any deviating, opposing, or complementing terms and conditions on the part of the business partner do not form integral part of contract unless explicitly approved of by us. There are no exceptions to the consent requirement, which also applies in cases where we conduct deliveries without restrictions while aware of the business partner's terms and conditions.

(2) Agreements made in the individual case with the purchaser (including side-agreements, supplements, and alterations) always take priority over these terms and conditions. A contract or our confirmation - both in written form - are authoritative for the content of such arrangements.

(3) Any legally relevant declarations and notifications the purchaser submits to us after conclusion of the contract (e.g. setting of deadlines, notice of defects, declarations of rescission or abatement) require the written form to be valid.

(4) Any information on the application of legal regulations serves the mere purpose of clarification. All regulations are legally binding without any such clarifications unless explicitly altered or excluded in these terms and conditions.

2. Prices

All prices are ex works, excluding insurance and packaging. The prices are net prices; the value-added tax is stated and charged separately according to the legally binding rate at the time of invoicing. The prices valid on the day of delivery are binding unless explicitly arranged otherwise.

3. Conclusion of Contract

SORG's offers are invitatio ad offerendum (invitations to treat). Ordering goods counts as an obligatory offer of contract on the part of the purchaser. Unless the order suggests otherwise, we have the right to accept this contract offer within two weeks time after reception. The acceptance of an offer of contract is effected by the confirmation of the order.

4. Terms of Payment

(1) Provided that no other agreements exist, payment is to be made by paying in advance - 50% at placing of order, 50% pre-delivery of goods. The purchaser bears any costs arising from transactions or discounting.

(2) If a 30-day payment deadline is exceeded, a delay rate of 9% on top of the respective base rate of the European Central Bank falls due without the need for prior notices. Beyond that, the purchaser is charged 3,- € for any reminder sent. We reserve the right to make use of the commercial due rate according to § 353 HGB. A higher damage for delay may be enforced via a suitable verification.

5. Offers and Validity

All current price lists are generally valid until December 31 of the respective year, or until new price lists are published. The latest version of the price list will always be provided on our homepage. Offers older than 3 months at that point expire and must be replaced with new offers and prices.

6. Time of Delivery and Delay

We state the terms of delivery when accepting the order. The delivery date is non-binding and has mere guideline value - especially with regard to customised products. The terms for delay in delivery are defined by legal regulations. In any case, a writing notice issued by the purchaser is necessary for them to take effect.

7. Force Majeure (Act of God)

(1) SORG is not to be held responsible for the following delays of delivery. This also applies if these causes occur with respect to legal representatives, auxiliary persons, or deliverers of SORG: Circumstances of force majeure as well as other extraordinary events that are unpredictable and unavoidable for, and not caused by, SORG, and that only occur after ordering or reserving, and that SORG could not have known about. Moreover, this applies in case of strikes, fire, floods, labour disputes, business disruptions, altered magisterial approbation and legal situation, and magisterial orders which are not due to operational risks.

(2) In the cases of paragraph 1, SORG is eligible to delay delivery/performance for the time of hindrance as well as an appropriate start-up time. If SORG thus causes unacceptable complications for the purchaser, both SORG and the purchaser are eligible to withdraw from the contract. Circumstances that only lead to a temporal and hence acceptable delay of delivery and performance are excluded from this right. The legal rights of the client remain unaffected.

8. Dispatch

We generally dispatch uncovered by insurance and at the recipient's risk. We transfer the risk of coincidental loss or deterioration of the goods as well as delay on to the client at the moment of passing the goods on to the forwarder, bearer, or any other person/institute responsible for delivery. SORG will make any effort to respect the client's wishes in terms of path and kind of delivery. Any costs caused by this (including agreed carriage free delivery) are to be covered by the client.

In the case of carriage free delivery conducted by SORG, the recipient is required to put forward any carriage costs for a refund. If the client wishes the dispatch to be delayed, any risk of loss or deterioration of the goods is carried by the recipient from the first day of readiness for dispatch. The goods dispatched are only insured upon special demand and at the cost of the recipient.

9. Damage through Delivery/Angeforderte Gegenstände sind, auch wenn sie unwesentliche Mängel Upon delivery, the goods need to be checked for obvious damage in the presence of the bearer. Any damage is to be documented in a written form and co-signed by the bearer. This protocol is to be forwarded to us immediately. Delayed reclamations, or reclamations not signed by the bearer, cannot be taken into account.

10. Warranted Features, Receipt, and Technical Alterations

Delivered objects, even with minor damage, are to be accepted by the client, even if §433, paragraph 1 BGB is not fulfilled. Partial deliveries are permissible. Features only count as warranted if explicitly designated as such. A warranty of condition can only be asserted explicitly and in a written form. SORG reserves the right for technical alterations, especially for solutions of equal or higher value.

11. Warranty for Defects

(1) SORG warrants for any defects of delivered new goods for 12 months as long as the purchaser is not the user (§§ 474, 13 BGB). Should the purchaser be the user then the warranty period is two years for new goods, for used goods 12 months. Should the purchaser also be an entrepreneur, then the liability for used items is void, as long as there is no claim for compensation according to N° 12.

(2) The purchaser's claim for defects presuppose that he has attended his obligation to give notice of defects on the legal grounds for his reasons of inquiry (§§ 377, 381 HGB). If defects are found during the inspection or at a later point, we are to be notified in writing without delay. The notice counts as not delayed if issued within two weeks. Posting the notice on time suffices for the keeping of the term. Independently from this obligation to inspect and give notice, the purchaser

is to report obvious defects (including wrong and short delivery) within two weeks upon delivery (again, posting the notice on time suffices). If the purchaser misses the proper inspection and/or notice of defects, we do not warrant for the reported defects. If the delivered good is defected, we may choose to conduct supplementary performance either by repairing the defect (subsequent improvement) or by delivering flawless goods (compensation delivery). Our right to refuse the chosen method of supplementary performance on the respective legal grounds remains untouched.

(3) Our liability for defects expires when alteration or maintenance works are done by the client or a third-person-party without our prior written permission. Consequences of excessive strain, negligent or incorrect handling, and violent damage are excluded from the warranty for defects.

12. Further Liability

(1) With respect to compensation - regardless of the legal cause - SORG is only liable in case of malice and act of gross negligence. In case of slight negligence, SORG is only liable for damage of life, body, health, and for damage caused by the negligence of an essential contractual obligation (an obligation whose fulfilment make the proper realisation of the contract possible in the first place and in whose fulfilment the contract partner regularly trusts and can trust). In this case, however, our liability does not exceed the covering of predictable, typically occurring damage.

(2) A free right to termination on the part of the purchaser (acc. to § 651, 649 BGB in particular) is precluded. Otherwise, the usual prerequisites and legal consequences apply.

13. Costs of Supplementary Performance

Costs of supplementary performance cannot be charged on SORG's account.

14. Voluntary Withdrawal of Goods

SORG is not obliged to take back any delivered end products or parts thereof. If SORG voluntarily decides otherwise in individual cases (especially for therapeutically altered requirements or deaths), SORG refunds a maximum of 75% of the delivery costs for unused parts whose delivery does not date back more than three months. There is no legal obligation concerning withdrawal in this respect. Deliveries which date back more than three months as well as sewed parts and customised products are not returnable. A copy of the delivery note or the bill serves as proof of age of delivery.

15. Reservation of Ownership

Goods delivered by SORG remain the property of SORG until any obligations from the parties' business contract on the part of the purchaser have been redeemed. This also applies if SORG has adapted individual or all claims into a running account which has been balanced and acknowledged. The purchaser has the right to dispose of the goods in the proper course of business. The purchaser hereby yields all claims to SORG which arise from the resale against the purchaser or third parties. The purchaser is authorised to withdraw these claims even upon conveyance. SORG's right to withdraw the claims remains untouched. However, SORG is obliged not to withdraw the claims as long as the purchaser complies with his duty of payment and any other duties. SORG has the right to demand that the purchaser makes known the yielded claims and their debtors, that he provides all information necessary for conveyance, and that he hands in all associated documents. As long and insofar the reservation of ownership is intact, the purchaser must not transfer any goods for securing or bailment without SORG's permission. The purchaser may process or alter the goods for the benefit of SORG exclusively. If processed with other goods which do not belong to SORG, SORG obtains co-ownership of these new goods in relation to the invoice value to the cost price of the other processed goods. If a third party interferes with SORG's ownership, the purchaser is to notify SORG immediately. The purchaser must not make any agreements with other purchasers which may exclude or limit SORG's rights. In particular, the purchaser must not make any agreements which destroy or limit the advance assignments to SORG. If the estimated value of the existing guarantees exceeds the claims to be ensured by more than 20%, SORG is insofar obliged to release by request of the purchaser.

16. Copyright Protection

If SORG conveys any images, drawings, indications of weight or measurements, technical documentations, or other product descriptions and documents (including electronic ones), the respective indications only apply if explicitly stated that they do. SORG reserves ownership and copyright of all these documents. They may only be made available to third parties upon SORG's explicit permission.

17. Place of Fulfilment, Place of Jurisdiction, and Severability Clause

(1) The law of the Federal Republic of Germany applies for these Terms and Conditions and all legal relations between us and our business partners. All international and supranational (contractual) legal systems, the UN Convention on Contracts for the International Sale of Goods in particular, are hereby excluded. Prerequisites and effects of the reservation of ownership acc. to no. 15 are subject to the right of the respective storage location of the good if the choice of law made in favour of the German law is illegitimate or ineffective. The only place of jurisdiction (also on an international basis) for any disputes arising directly or indirectly from the contractual relationship is, according to German Commercial Code, our office in Oberhausen-Rheinhausen, Germany. However, we also have the right to file a suit concerning the general jurisdiction of the purchaser.

(2) If any clause in these Terms of Conditions should turn out to be ineffective, this does not affect the effectiveness of all other clauses.

Technical alterations and misprints reserved. As of: January 2017

SORG Rollstuhltechnik GmbH + Co. KG
Benzstr. 3-5, 68794 Oberhausen-Rheinhausen / Germany
Phone +49 7254 / 9279-0
Fax +49 7254 / 9279-10
info@sorgrollstuhltechnik.de, www.sorgrollstuhltechnik.de