

Activity wheelchair with rigid framework and detachable and swiveling leg support



Included in the base price:

- SW, SD and BH without exchanging frame parts as standard grows with the patient, purchased parts may be necessary (depending on configuration)
- Straight or abducted frame
- Pneumatic or solid tyres
- Standard push handles (long)
- Adjustable seat and back cover
- Standard knee lever brake

Quotation

Order

Weight capacity: 120 kg
German aid index N° 18.50.03.6005

Base price 3.520,- €

Prices excl. VAT,
valid from 15.01.2024 and until further notice.

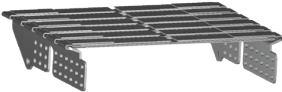
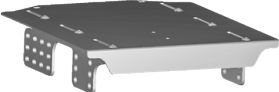
Delivery address / Company stamp		Billing address: <input type="checkbox"/> same as delivery address	
Name:		Name:	
Address:		Address:	

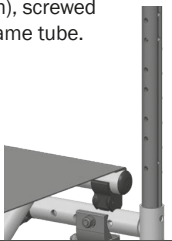
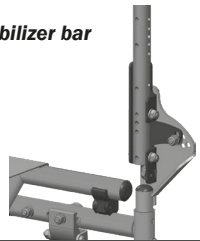
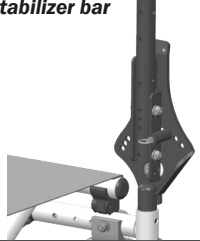

Ordering information:	
Reference/ internal description:	Date:
Contact person:	Signature:


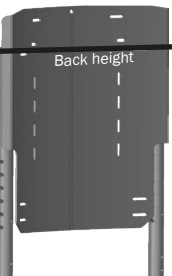

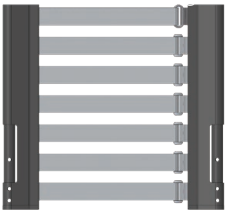
Frame		Displacing the back tubes (possible from SD 38 cm)	
Leg/foot space	Frame height	for seat shell build	
<input type="checkbox"/> Straight frame from SW28	<input type="checkbox"/> Standard height	<input type="checkbox"/> Adapter to displace the back tubes by 4 cm back. (without seat and back cover, incl. seat supporting angle and stabilizing rod). With this, the seat depth becomes longer (distance front edge seat to back tube) by 4 cm and you gain more room toward the back for example, the build of a seat shell. Not possible in combination with the wheel base extension (N° 7601). In the spot seat depth DO NOT state the actual seat depth of the user, but the needed measurements for the user's seat depth PLUS the build of a seat shell. e.g.: actual seat depth of the user = 36 cm, build depth seat shell = 4 cm 36 cm + 4 cm = 40 cm, your indicated seat depth = 40 cm	
N° 596996 0,- €	N° 596992 0,- €		
<input type="checkbox"/> Abducted frame + 6 cm	<input type="checkbox"/> XL height (frame height + 4 cm) Possible for seat depths: 44, 46, 48 and 50 cm		
N° 596997 0,- €	N° 596993 380,- €	N° 596995 240,- €	

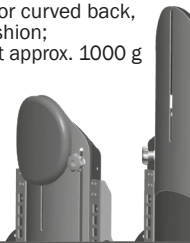


Measures (Please note our information page „Configurations and Adjustments“ at the end of this order form)				
Seat width	Seat depth	Back height	Lower leg length (LLL)	Seat height
+ 4 cm extension each <input type="checkbox"/> 30 <input type="checkbox"/> 32 <input type="checkbox"/> 34 <input type="checkbox"/> 36 <input type="checkbox"/> 38 <input type="checkbox"/> 40 <input type="checkbox"/> 42	+ 4 cm extension each Frame size: Size 1: <input type="checkbox"/> 34 <input type="checkbox"/> 36 Size 2: <input type="checkbox"/> 38 <input type="checkbox"/> 40 <input type="checkbox"/> 42 <input type="checkbox"/> 44	back tube Standard + 5 cm extension each <input type="checkbox"/> 30 (...30) <input type="checkbox"/> 35 (...35) <input type="checkbox"/> 40 (...40)	The STANDARD BACK TUBES can be extended in 2.5 cm increments by max. 5 cm vertically offset. The REINFORCED BACK TUBES can be extended by 5 cm vertically offset.	Real lower leg length of the user (LLL): _____cm Cushion thickness (CT) _____cm Seat height back: _____cm Seat height front: _____cm <small>cf. table on p. 11</small>
N° 10.. 0,- €	N° 11.. 0,- €	N° 12.. 0,- €		
<input type="checkbox"/> 44 <input type="checkbox"/> 46	Size 3: <input type="checkbox"/> 46 <input type="checkbox"/> 48 <input type="checkbox"/> 50 AC not with XL height	back tube reinforced + 5 cm extension each <input type="checkbox"/> 30 (...302) <input type="checkbox"/> 35 (...352) <input type="checkbox"/> 40 (...402) <input type="checkbox"/> 45 (...452) <input type="checkbox"/> 50 (...502) Recommended for increased pressure (e.g. Spasticity etc.).	Degree of activity PASSIVE ← <input type="checkbox"/> 1 <input type="checkbox"/> 2 <input type="checkbox"/> 3 <input type="checkbox"/> 4 → ACTIVE The degree of activity corresponds to the axle plate position on p.11. The combination of certain components might cause restrictions; in this case the next possible degree of activity will be chosen.	
N° 10.. 180,- €	N° 11.. 180,- €	N° 12.. AC 99,- €		

Frame colors and color anodization Design package			
Finish alternatives	Moderate metallic effect	Not metallic	Special colors (without additional charge, except for Nightblue)
<input type="checkbox"/> Shiny <input type="checkbox"/> Matt Not possible with special colors! N° 1561 90,- €	<input type="checkbox"/> Cream white (17) <input type="checkbox"/> Brilliant Blue (08) <input type="checkbox"/> Zinc yellow (02) <input type="checkbox"/> Dark Blue (16) <input type="checkbox"/> Chrome yellow (06) <input type="checkbox"/> Dark Green (15) <input type="checkbox"/> Pure Orange (21) <input type="checkbox"/> Goblin Green (33) <input type="checkbox"/> Crimson (04) <input type="checkbox"/> Titan Grey (34) <input type="checkbox"/> Girly Pink (19) <input type="checkbox"/> King´s Blue (32) <input type="checkbox"/> Pastel Blue (20)	<input type="checkbox"/> Black (31)	strong metallic effect: <input type="checkbox"/> Silver metallic (36) Coarse structured surface: <input type="checkbox"/> Coarse Black (27) Dormant colors: <input type="checkbox"/> Firered Dormant (45) <input type="checkbox"/> Violet Dormant (50) Dormant color with additional charge AC 90,- € <input type="checkbox"/> Nightblue Dorm. (47)
Design package color anodization (Color examples for anodized colors can be found on our website in the area equipment)			
<input type="checkbox"/> anodized Blue (01) <input type="checkbox"/> anodized Red (02) <input type="checkbox"/> anodized Green (03) <input type="checkbox"/> anodized Gold Orange (04) <input type="checkbox"/> anodized Violet (05) N° 1571.. CPD 295,- €	The following parts are anodized: Assembly group caster (fork, caps, adapter, half shells, wheel spacer), hand rims The design package ist only possible in the listed setting.		Restrictions: The hand rims are only available in the design package anodized colors by choosing aluminum hand rims. (not possible with stainless steel, Maxgrepp, PVC, double, nob or ergonomic hand rims. Also not possible with profile wheels).



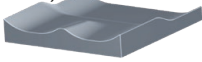
Seat system	
Nylon seat cover	Seat plate
<input type="checkbox"/> Adjustable strap system, black 	<input type="checkbox"/> Firm aluminum seat plate for optimized support of pelvic, firmly bolted 
N° 1913 0,- €	N° 1908 220,- €

Back unit			
Back angle			
<input type="checkbox"/> Standard back angle 90° , back tubes adjustable in height (max. 5 cm), screwed into the frame tube. 	<input type="checkbox"/> Back angle firmly adjustable with screwing from 80°-105° , incl. stabilizer bar 	<input type="checkbox"/> Back angle adjustable with raster and completely stowable, incl. stabilizer bar 	<input type="checkbox"/> Back angle steplessly adjustable by 30° with gas pressure device, incl. stabilizer bar (from BH 35). <i>Extendable push handles and anti tipper required!</i> <i>Not with N° 597498 (shifting of the gravity center)</i> <i>Not approved for transportation in a passenger vehicle!</i> <i>Not in combination with Standard back cover N° 6710</i> <i>Desk side guards and long side guards are not detachable or swiveling outwards.</i> 
N° 6237 0,- €	N° 6231 200,- €	N° 6109 285,- €	N° 6107 560,- €


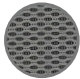

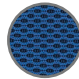

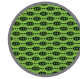



Curved back plate			Back cover
Model 1	Model 2	Model 3	Adjustable strap system
Firm curved back plate, BH+2 cm; cavity: <input type="checkbox"/> 15 mm (...015) <input type="checkbox"/> 30 mm (...030) <input type="checkbox"/> 50 mm (...050) 	Firm curved back plate, BH+10 cm; cavity: <input type="checkbox"/> 15 mm (...115) <input type="checkbox"/> 30 mm (...130) <input type="checkbox"/> 50 mm (...150) BH+20 cm; cavity: <input type="checkbox"/> 15 mm (...215) <input type="checkbox"/> 30 mm (...230) <input type="checkbox"/> 50 mm (...250) 	Firm curved back plate, BH+5 cm; cavity: <input type="checkbox"/> 15 mm (...315) <input type="checkbox"/> 30 mm (...330) <input type="checkbox"/> 50 mm (...350) BH+10 cm; cavity: <input type="checkbox"/> 15 mm (...415) <input type="checkbox"/> 30 mm (...430) <input type="checkbox"/> 50 mm (...450) 	<input type="checkbox"/> Adjustable strap system, incl. breathable cushion (thickness 2 cm) in chosen cover color (page 3). 
Straight upper edge, 2 cm higher than back height. N° 693.. 315,- €	Straight upper edge, 10 or 20 cm higher than back height. N° 693.. 399,- €	Curved upper edge, 5 or 10 cm higher than back height. N° 693.. 399,- €	N° 6703.. 0,- €


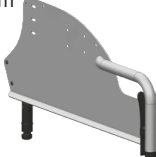

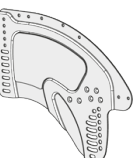



Back extension	Fitting set	Connection
for curved back plate	for solid back	for back shell
<input type="checkbox"/> Back extension by up to 17.5 cm for curved back, retractable, with removable head cushion; Weight saving compared to a headrest approx. 1000 g  <p><i>Only with a curved back plate.</i> <i>Not possible with headrest (N° 6861 ..).</i> <i>Not suitable as a headrest for vehicle transport.</i></p>	<input type="checkbox"/> Bracket set, suitable for mounting a fixed back made by a specialist retailer 	<input type="checkbox"/> Back shell connection, black, can be clamped to the stabilizer bar 
N° 686069 299,- €	N° 692598 160,- €	N° 696402 88,- €

Back system
Stabilizer bar
<input type="checkbox"/> Stabilizer bar for a higher stability of the back Recommended with strap system N° 6703 
N° 6408 65,- €

Seat cushion (All covers with zipper and changeable)			
Without cushion / cover <input type="checkbox"/> WITHOUT cushion (please mark if no pillow is required)	Seat cushion		Anatomical cushion
	Synthetic foam for firm comfortable seating <input type="checkbox"/> 3 cm (..03) <input type="checkbox"/> 5 cm (..05) 	Pressure relief cushion for medium-soft seating <input type="checkbox"/> 3 cm (..03) <input type="checkbox"/> 5 cm (..05) 	<input type="checkbox"/> Anatomically formed, with slight abduction, changeable cover (The thickness of the cushion at the front is 5-6 cm, depending on the size of the cushion) (special construction) 
N° 998002	N° 80 ..	N° 81 ..	N° 891002
	105,- €	135,- €	CPD 499,- €
<input type="checkbox"/> WITHOUT cover Seat cushion / anatomical cushion without cover	<input type="checkbox"/> Additional cover for seat cushion as configured		<input type="checkbox"/> Additional cover for anatomical cushion
N° 998001	N° 8201	N° 86..	N° 891003
./, 30,- €	85,- €	105,- €	CPD 186,- €
	<input type="checkbox"/> incontinence cover for seat cushion		<input type="checkbox"/> Incontinence cover for anatomical cushion
			N° 891004
			CPD 190,- €

Back cushion (all covers with zipper and changeable)			
Without back cushion / cover <input type="checkbox"/> NO back cushion (please tick if no cushion is required)	Standard cushion		Anatomical back cushion
	<input type="checkbox"/> Standard cushion for curved back plate , 3 cm thick, with zipper,		Anatomically formed, incl. changeable cover. cavity: <input type="checkbox"/> 3 cm (..04) <input type="checkbox"/> 5 cm (..06) } Only in combination with the appropriate curve depth of the selected curved back plate. Not possible with adjustable strap system N° 6703.. Special construction
N° 998502	N° 8517	N° 8911..	N° 891110
	165,- €	CPD 299,- €/Pcs	CPD 155,- €/Pcs
<input type="checkbox"/> WITHOUT cover back cushion / anatomical back cushion without cover	<input type="checkbox"/> Additional cover for back cushion as configured		<input type="checkbox"/> Additional cover for anatomical back cushion
N° 998501	N° 8501		
./, 30,- €	85,- €		

Choice of Trevira cover colors for seat cushion / anat. seat cushion / back cushion / anat. back cushion			
Please choose the color of the selected covers:			
<input type="checkbox"/> black (30)	<input type="checkbox"/> grey (31)	<input type="checkbox"/> nightblue (32)	<input type="checkbox"/> ultramarine blue (33)
<input type="checkbox"/> petrol (34)	<input type="checkbox"/> applegreen (35)	<input type="checkbox"/> burgundy (36)	<input type="checkbox"/> red (37)
<input type="checkbox"/> pink (38)			
			
			
			
N° 80.. (seat cushion / anat. seat cushion)	N° 85.. (back cushion / anat. back cushion)	N° 6703.. (adjustable back cover)	

Side guards and arm rests			
Standard side guards WITH clothes guards <input type="checkbox"/> Corrugated aluminum, screwed, adjustable in height, with synthetic clothes guard <i>incl. insulation protection pads</i> 	Desk side guard <input type="checkbox"/> for driving under tables etc., foldable backwards, inward swivelling and detachable, aluminum In combination with gas pressure spring back angle (6107), screwed side guards Only from SD 34 	Arm rests (Standard / Desk) <input type="checkbox"/> with pad, 24 cm long, screwed, adjustable in height. Suitable for all side guards, except for long side guard 	Clothes guard for Desk side guard <input type="checkbox"/> Clothes guard, black, for desk side guard, screwed Only for N° 4610, not with arm rests
N° 5024	N° 4610	N° 452600	N° 461001
170,- €/P	190,- €/P	220,- €/P	136,- €/P
Standard side guards WITHOUT clothes guards <input type="checkbox"/> Corrugated aluminum, screwed, adjustable in height <i>incl. insulation protection pads</i> 	Long Side guard <input type="checkbox"/> Foldable backwards, swingable backwards and detachable, aluminum In combination with gas pressure spring back angle (6107), screwed side guards Only from SD 34 	Long arm rests <input type="checkbox"/> with pad, 37 cm long, screwed, adjustable in height. Only suitable for long side guard N° 4611 Only from SD 34 	Raster arm rests (Desk / Long) <input type="checkbox"/> with pad, 24 cm long, with raster adjustable in height. Only suitable for desk side guard and long side guard 
N° 4525	N° 4611	N° 452507	N° 452506
0,- €/P	190,- €/P	220,- €/P	240,- €/P

Specification of lower leg length (LLL) / Cushion thickness / Distance

Specify:

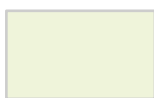
Lower leg length (LLL)



-

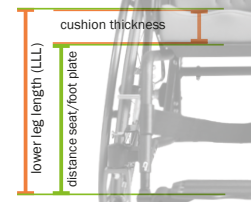
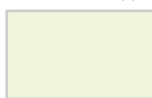
Specify:

Cushion thickness



=

Result: **Wheelchair dimensions** Distance upper edge of the seat and the upper edge of the footplate - Cushion thickness



All measurements in cm

Lower leg length:

Specification of the distance in cm between the hollow of the knee and the sole of the foot at a 90° knee position angle

Thickness seat cushion:

Indication of the thickness of the planned seat cushion

Wheelchair Dimensions:

Distance from the upper edge of the seat to the upper edge of the footrest in cm (without taking into account the thickness of the seat cushion). From your information regarding the lower leg length and thickness of the seat cushion, we calculate the distance from the top edge of the seat to the top edge of the footrest and mount this on the leg support you have chosen.

Example:

Your information: LLL = 38 cm, seat cushion thickness = 5 cm

Manufacturer assembly: In this example, SORG mounts the footrest at a distance of 33 cm from the footrest.




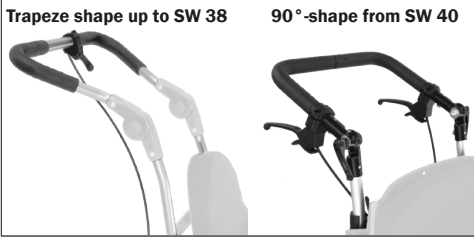
Leg support with foot rest

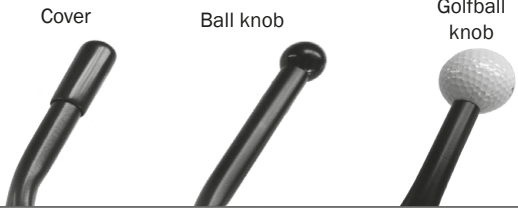
Possible distances **Upper edge of the seat to upper edge of the foot plate (without considering the seat cushion thickness). You can find the respective information behind Standard frame height / XL-frame height.**

Leg support Model 1	Leg support Model 2	Leg support Model 4	Leg support Model 5	Leg support Model 6
Undivided footplate Adjustable in height, depth and angle	Undivided footplate, hinged sidwards Adjustable in height, depth and angle	Divided footplate, hinged sidwards	Divided footplate, hinged sidwards	Divided foot plates, swiveling and detachable with physiological pivotal point, hinged upwards from 93° to 180°, swiveling outwards
<input type="checkbox"/> Model 1 - internal Mounting	<input type="checkbox"/> Model 2 - Internal Mounting	<input type="checkbox"/> Model 4 - Internal mounting	<input type="checkbox"/> Model 5 - External mounting	<input type="checkbox"/> Model 6 - External mounting
Possible distances: Standard frame height: 5,5 - 34 cm XL - frame height: 9,5 - 38 cm	Possible distances: Standard frame height: 29 - 47 cm XL - frame height: 33 - 51 cm	Possible distances: Standard frame height: 5,5 - 32 cm XL - frame height: 5,5 - 38 cm	Possible distances: Standard frame height: 29 - 47 cm XL - frame height: 33 - 51 cm	Possible distances: Standard frame height: 21 - 46 cm XL - frame height: 25 - 50 cm
N° 403601 0,- €	N° 403610 0,- €	N° 403602 185,- €	N° 403612 200,- €	N° 403705 370,- €

Calf rest	Leg support options		
for the leg support N° 403705	Heel cups	Belts for heel cups	Locking mechanism
Mounting: <input type="checkbox"/> left <input type="checkbox"/> right <input type="checkbox"/> pair (2 pcs.)	Heel cups, aluminum black for mounting on foot plate <input type="checkbox"/> size 1 12,5 x 8 cm (...31) <input type="checkbox"/> size 2 14,5 x 10 cm (...32) <input type="checkbox"/> size 3 16,5 x 12 cm (...33)	<input type="checkbox"/> Matching belts to the selected heel cups (N° 4020..)	<input type="checkbox"/> Locking mechanism for leg support models with undivided foot rest
Possible distance top edge seat to top edge footplate: from 20cm			
N° 403006 147,- €/Pcs	N° 4020.. 78,- €/P	N° 402015 108,- €/P	N° 403910 80,- €

Push handles and push bars


Standard Push handles		Extendable push handles		Push bars			
<input type="checkbox"/> Long handle (see on the pictures), firm, 4 cm above back height N° 623701 0,- €		Shape: Straight <input type="checkbox"/> 15 cm (..01) <input type="checkbox"/> 25 cm (..02) Cranked <input type="checkbox"/> 15 cm (..05) <input type="checkbox"/> 25 cm (..06)		<input type="checkbox"/> Extendable push handle with long handle (cf. shape on the left) N° 65.. 264,- €/P <input type="checkbox"/> Extendable push handle with short handle (cf. on the left) Not in combination with drum brake! N° 65.. + 623702 294,- €/P		<input type="checkbox"/> extendable by 20 cm, adjustable in angle, with steel joints  N° 6532 425,- €	
<input type="checkbox"/> Short handle (see on the pictures) 4 cm above back height Not in combination with drum brake! N° 623703 30,- €/P		long handle (11 cm) short handle (7 cm) 		long handle (11 cm) short handle (7 cm) 		Bow handle shape: Trapeze shape up to SW 38 90°-shape from SW 40 	

Brakes			Brake lever extensions	
Knee lever brake	Single-hand brake	Drum brake	Straight 6 cm	Cranked 12 cm
<input type="checkbox"/> Standard N° 3525 0,-€	Knee lever brake with single hand control Mounting <input type="checkbox"/> left (..01) <input type="checkbox"/> right (..02)	<input type="checkbox"/> for standard-, profile or lightweight wheels (N° 21..30/31/81), incl. brake lever for attendant N° 220036 325,- €	straight, 6 cm long <input type="checkbox"/> with top cover N° 3510 58,-€/P	cranked, 12 cm long <input type="checkbox"/> with top cover N° 3515 68,-€/P
<input type="checkbox"/> lockable in activated or deactivated position N° 3513 190,-€/P			straight, 6 cm long <input type="checkbox"/> with ball knob <input type="checkbox"/> mit Golfball knob N° 3512 68,-€/P	cranked, 12 cm long <input type="checkbox"/> with ball knob <input type="checkbox"/> mit Golfball knob N° 3516 78,-€/P
<input type="checkbox"/> Pull to lock In contrast to the standard knee lever brake, the pull to lock knee lever brake is operated by pulling. N° 3529 70,-€/P	<input type="checkbox"/> Roll-back blocking Averts automatically the risk of rolling backwards without affecting forward movements Recommended for a user weight up to max. 90 kg A knee lever brake function is included with the rollback blocking! It is not possible to select an additional knee lever brake. N° 3526 CPD 350,-€/P	<input type="checkbox"/> Bowden cable brake integrated in activity side panels Not possible with wheel base extension N° 7601 N° 3531 240,-€/P		

Wheel size and wheel camber		
Wheel size	Wheel camber	
<input type="checkbox"/> 22" <input type="checkbox"/> 24"	Wheel camber (Standard wheels) <input type="checkbox"/> 0° <input type="checkbox"/> 2° <input type="checkbox"/> 5° <input type="checkbox"/> 8°	Wheel camber (drum brake) <input type="checkbox"/> 2° (not recommended) <input type="checkbox"/> 5° <input type="checkbox"/> 8°
0,- €		
<input type="checkbox"/> 26"		
N° 212601	AC 180,- €	0,- €

Wheels				
Standard wheel	Profile wheel	Lightweight wheel with standard hub	Lightweight wheel with drum brake hub	Double handrim (not possible with 26"-wheels)
<input type="checkbox"/> All-round wheel Additional weight of approx. 900g/wheel compared to lightweight wheels	<input type="checkbox"/> Unity of handrim and rim, reduces the risk of finger injuries Additional weight of approx. 800g/wheel compared to lightweight wheels Note: Profile wheels are no longer in our product pallet for an indefinite period of time. Alternatives can be found under article handrim very close to the rim (page 7, N° 3015) or Maxgrepp ERGO-PARA handrims (page 7; N° 34..).	<input type="checkbox"/> with standard hub Very lightweight, incl. aluminum handrim Weight reduction of approx. 900g/pair compared to standard wheels THE STANDARD HUB IS INCOMPATIBLE WITH THE DRUM BRAKE (N° 220036)! No flat free tyres possible for 26" wheels.	<input type="checkbox"/> with drum brake hub, incl. aluminum handrim black Only in combination with drum brake (N° 220036) (mind Additional charge) Weight reduction of up to 1.1 kg/pair compared to standard drum brake wheels Not possible with 26"-wheels Package price for lightweight wheels incl. drum brakes and brake lever for the attendant 455,- €/pair	with standard hub and double handrim, Only up to 5° camber Mounting <input type="checkbox"/> left <input type="checkbox"/> right N° 2614 1.099,-€ with drum brake hub and double handrim Mounting <input type="checkbox"/> left <input type="checkbox"/> right N° 2615 1.199,-€ <input type="checkbox"/> Handrim for opposite site N° 261435 153,-€ Distance of handrims¹ <input type="checkbox"/> standard 18mm (...11) <input type="checkbox"/> tight 9mm (...12)
N° 21..30 0,- €	N° 21..31 0,- €	N° 21..76 160,- €/P	N° 21..81 130,- €/P	N° 26.. 0,- €

¹ Double handrim, distance of handrims **tight**: Not in combination with hand rim cover or coated hand rim.


Tyres				Examples: 
Title	Item-N°	Price		
<input type="checkbox"/> Pneumatic Standard „Right Run“ 1"	<input type="checkbox"/> 1	N° 20..13	0,- €	
<input type="checkbox"/> Pneumatic Standard 1 3/8"	<input type="checkbox"/> 2	N° 20..21	0,- €	
<input type="checkbox"/> Pneumatic Performance „Marathon Plus“ 1" Only for 22" und 24" wheels	<input type="checkbox"/> 3	N° 20..12	74,- € / P	
<input type="checkbox"/> Solid standard tyres 1"	<input type="checkbox"/> 4	N° 23..11	0,- €	
<input type="checkbox"/> Solid standard tyres 1 3/8" 1 3/8" tyres not possible with lightweight wheels and 26" wheels!	<input type="checkbox"/> 5	N° 23..21	0,- €	



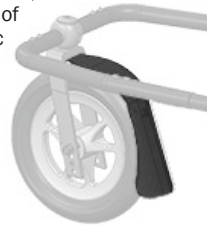

Hand rims (Not for profile wheels)						
Standard hand rim (Please choose type of installation AND material)					Mounting very closely to rim	
Mounting type: <input type="checkbox"/> Standard / tight <input type="checkbox"/> Standard / wide <input type="checkbox"/> High / tight <input type="checkbox"/> High / wide		Hand rim assembly Standard / tight Hand rim assembly Standard / wide		Hand rim assembly High / tight Hand rim assembly High / tight		<input type="checkbox"/> Handrims mounted very closely to rim, reduces the risk of finger injuries Only for standard wheels and in aluminum N° 3015 CPD 142,-€
Material: <input type="checkbox"/> Stainless steel (..01) <input type="checkbox"/> Alu, silver anodized (..75)		} Not possible on lightweight wheels with drum brakes and with 26" wheels.		N° 30.. 0,- €		
PVC	Ergonomic	Maxgrepp ORIGINAL	Maxgrepp ERGO-PARA	Design hand rim		
<input type="checkbox"/> Hand rim coated with black PVC, (Tetra Grip) 	<input type="checkbox"/> Hand rim with ergonomic hand rim profile, black anodized with integrated rubber grip 	<input type="checkbox"/> Hand rims with a soft foam rubber coating. Suitable for quadriplegics and wheelchair users with weakened hand function. 	<input type="checkbox"/> Hand rims for pushing with heel of the hand (soft surface), 	<input type="checkbox"/> Aluminum hand rims coated in frame color color number: _____ The color numbers can be found next to the frame colors on page 1. Without specifying a color number, the selected frame color is used for coating. Anodized colors only possible in the design package. N° 303000 TD 70,-€/P		
N° 33.. 368,- €/P	N° 342424 420,- €/P	N° 341501.. 460,- €/P	N° 34.. 490,- €/P			



Hand rim options			
Silicone cover for STANDARD hand rim	Silicone cover for DOUBLE hand rim	PVC cover for double hand rim	Ergo rubber inlay
Detachable silicone cover, black (soft surface), <input type="checkbox"/> for standard wheel (22-24) <input type="checkbox"/> for profile wheel (..02) <input type="checkbox"/> for lightweight wheel (..05) 	Detachable silicone cover, black <input type="checkbox"/> for inside rim <input type="checkbox"/> for outside rim <input type="checkbox"/> for opposing side Not in combination with double handrim distance tight N° 2612	<input type="checkbox"/> Handrim coating for double handrim, both handrims (inside and outside), coated with black PVC N° 262402 355,- € <input type="checkbox"/> Handrim coating for opposing side of the double handrim, coated with black PVC N° 262401 195,- €	<input type="checkbox"/> Rubber inlay, 13 mm wide. ONLY for profile wheels A notice: The Ergo cover is no longer in our product pallet for an indefinite period of time.
N° 32.. 156,- €/P	N° 3205 78,- €/Pcs		N° 32 .. 01 210,- €/P



Spoke cover	Design spoke covers	
Transparent	Design spoke covers Please specify the desired model of the corresponding manufacturer:	
<input type="checkbox"/> transparent (..00) acrylic glass N° 25.. 172,- €/P	<input type="checkbox"/> www.speichen-schutz.de N° 25..26 TD 180,- €	<input type="checkbox"/> www.wheelchairgadgets.com N° 25..27 TD 180,- €

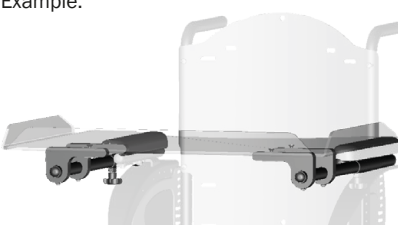
Caster wheels				
Standard PU	Standard solid rubber	Standard pneumatic	Design PU	Design solid rubber
Polyurethan: <input type="checkbox"/> 4" (2812) <input type="checkbox"/> 5" (2805) <input type="checkbox"/> 6" (2803) 	Solid rubber: <input type="checkbox"/> 4" (2804) <input type="checkbox"/> 5" (2809) <input type="checkbox"/> 5.5" (2802) <input type="checkbox"/> 6" (2811) <input type="checkbox"/> 7" (2813) 	Pneumatic, grey: <input type="checkbox"/> 6" (2808) <input type="checkbox"/> 7" (2807) 	Polyurethane, transparent, with LEDs: <input type="checkbox"/> 4" (2820) <input type="checkbox"/> 5" (2834) 	Solid rubber black, with alu rim <input type="checkbox"/> 4" (2835) <input type="checkbox"/> 5" (2836) <input type="checkbox"/> 6" (2838)
0,- €	0,- €	0,- €	0,- €	0,- €




Caster forks			Steering options	
Standard aluminum	Design aluminum	Hemi-Adapter	Track fixation	Locking
<input type="checkbox"/> Alu fork, black anodized 	<input type="checkbox"/> Aluminum fork coated in frame color color N°: _____ The color numbers can be found next to the frame colors on page 1. Without specifying a color number, the selected frame color is used for coating. Anodized colors are only possible in the design package.	to reduce the front seat height around <input type="checkbox"/> 25 mm (..40) (only in combination with 5" caster!) around <input type="checkbox"/> 40 mm (..41) See table p. 11	<input type="checkbox"/> Caster wheel track fixation (straight)	<input type="checkbox"/> Locking mechanism for track fixation
N° 2826 0,- €	N° 2829 TD 70,- €/P	N° 2805.. 140,- €/P	N° 2851 166,- €/P	N° 2850 208,- €/P


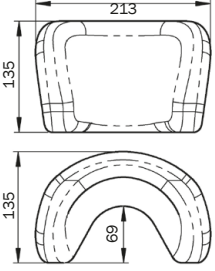

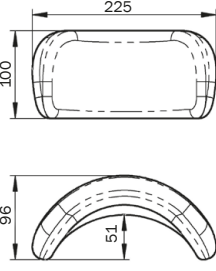

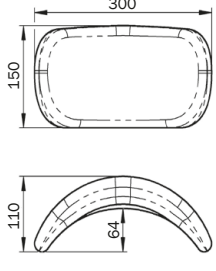
Frame options			
Anti tipper	Outdoor-Front-End	Splash guard	Baggage holder
Swingaway installation Mounting <input type="checkbox"/> left <input type="checkbox"/> right <input type="checkbox"/> pair 	<input type="checkbox"/> Outdoor Front End, adjustable in width and length, facilitates significantly active and passive driving on soft or rough surfaces, incl. mounting aid 	<input type="checkbox"/> Splash guard for Outdoor Front End, made of plastic 	<input type="checkbox"/> Transport aid, aluminum, mounted on leg support 
N° 7215 139,- €/Pcs	N° 599520 CPD 479,- €	N° 59951212 CPD 85,- €	N° 910110 99,- €






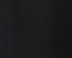
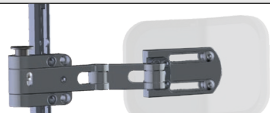

Sun shade			
 <p>The sunshade can be mounted with a few simple steps. The flexible "gooseneck" on which the sunroof is attached, is stable and well suited to keep the roof in the desired position and can be easily and intuitively set.</p> 	<input type="checkbox"/> Size 1 (only up to SW38) variably adjustable sun shade, in black Usable height (from the top edge of the seat plate/seat cover to the apex) = selected back height + 40 cm Example: BH 30 + 40 cm = 70 cm	<input type="checkbox"/> Size 2 (just from SW40) variably adjustable sun shade, in black Usable height (from the top edge of the seat plate/seat cover to the apex) = selected back height + 55 cm Example: BH 30 + 55 cm = 85 cm	<input type="checkbox"/> Extension set Increasing the usable amount of the Sun shade by 14 cm.
N° 910301 TD 250,-€	N° 910302 TD 290,-€	N° 910305 TD 58,- € / Set	

Wheel base extension	Step tube	Crutch holder
<input type="checkbox"/> Wheel base extension approx. 10 cm to the back Not possible with bowden cable brake N° 3531	Mounting <input type="checkbox"/> left <input type="checkbox"/> right <input type="checkbox"/> pair 	Mounting <input type="checkbox"/> left <input type="checkbox"/> right <input type="checkbox"/> pair 
N° 7601 274,- €	N° 7400 74,- €/Pcs	N° 7101 44,- €/Pcs

Therapy tables			
Adjustable in height and distance, plugged under arm rests on both sides. Arm pads required!			
Article name	Example:	Article-N°	Price
<input type="checkbox"/> Therapy table Acrylic glass Size 1 (45 x 36 cm)		N° 920710	325,- €
<input type="checkbox"/> Therapy table Acrylic glass Size 2 (59 x 45 cm)		N° 920711	340,- €
<input type="checkbox"/> Therapy table Acrylic glass Size 3 (70 x 50 cm)		N° 920712	370,- €
<input type="checkbox"/> Therapy table Beech wood Size 1 (50 x 40 cm)		N° 920713	340,- €
<input type="checkbox"/> Therapy table Beech wood Size 2 (60 x 50 cm)		N° 920714	380,- €

Standard head rests Measures in mm (all measures ± 10mm)		
Article name	Article-N°	Price
<input type="checkbox"/> Standard head rest model 1 (shell-shaped small) including connection to stabilizer bar	1 N° 686121	375,- €
<input type="checkbox"/> Standard head rest model 3 (curved small) including connection to stabilizer bar	2 N° 686123	375,- €
<input type="checkbox"/> Standard head rest model 4 (curved large) including connection to stabilizer bar	3 N° 686124	375,- €
<input type="checkbox"/> Headrest cover, washable and changeable made of Trevira fabric Please specify a color and the two-digit color number (see page 3 at color choice of upholstery fabrics Trevira. If no color is specified, the color of the seat / back cushions is used. Color and Color number:	Example:  Rear view  Front view	N° 686050 89,- €
<input type="checkbox"/> Head rest holder for mounting on stabilizer bar for example for mounting headrests from other manufacturers Only select for non-SORG headrest		N° 68600890 39,- €

1 Model 1  	2 Model 3  	3 Model 4  
--	--	---

Lateral support (from back height 30 with extendable push handles, from back height 35 with standard push handles)		
Article name	Article-N°	Price
Pad for pad holder Size 1		
<input type="checkbox"/> Pad 10 x 7 cm (incl. cover)	 10x7cm  10x9cm  12x9cm	N° 68590104
<input type="checkbox"/> Pad 10 x 9 cm (incl. cover)		N° 68590105
<input type="checkbox"/> Pad 12 x 9 cm (incl. cover)		N° 68590106
Pad for pad holder Size 2		
<input type="checkbox"/> Pad 12 x 9 cm (incl. cover)	 12x9cm  15x10cm  18x13cm	N° 68590206
<input type="checkbox"/> Pad 15 x 10 cm (incl. cover)		N° 68590204
<input type="checkbox"/> Pad 18 x 13 cm (incl. cover)		N° 68590205
Lateral support holder, adjustable		
<input type="checkbox"/> Adjustable holder for lateral support, incl. linkage Without pad		N° 68590100 CPD 396,- €/P
Length difference of the holder size 1 to size 2 is about 4.5 cm		
<input type="checkbox"/> Extension joint for foldable pad holder Extension for: Holder Size 1 (3,8cm) Holder Size 2 (5,5cm)		N° 68590115 CPD 124,- €/P

Positioning belts		
Article name	Article-N°	Price
<input type="checkbox"/> 2-Point pelvic belt with PLASTIC fastener, incl. mounting material for self attachment	1 N° 780590	140,- €
<input type="checkbox"/> 2-Point pelvic belt with METAL fastener, incl. mounting material for self attachment	2 N° 780591	155,- €
<input type="checkbox"/> 4-Point pelvic belt with PLASTIC fastener, incl. mounting material for self attachment	3 N° 780592	180,- €
<input type="checkbox"/> 4-Point pelvic belt with METAL fastener, incl. mounting material for self attachment	4 N° 780593	195,- €
<input type="checkbox"/> Protection cap for pelvic belt with metal fastener (see N° 780591 oder N° 780593) Makes independent opening for the patient difficult.	5 N° 78050210	19,- €
<input type="checkbox"/> Chest-shoulder belt without zipper, incl. mounting material for self attachment	6 N° 781010	199,- €

2-point pelvic belt plastic fastener

2-point pelvic belt metal fastener

4-point pelvic belt plastic fastener

4-point pelvic belt metal fastener

Application example

Chest-shoulder belt

Belt holder	
Upper belt holder	Lower belt holder
<input type="checkbox"/> for attaching positioning belts, incl. connection for square tube A headrest with a square tube is required to install the belt holder	<input type="checkbox"/> for the attachment of 2-point/4-point and/or chest-shoulder belts. Not with seat cover
N° 780130	N° 782000
95,- €	59,- €

Abduction wedges Not with seat cover						
Article name	Size	Length (L) (mm)	Width (B) (mm)	Height (H) (mm)	Article-N°	Price
<input type="checkbox"/> abduction wedge, incl. holder and pad, Size S	S	94	65	90	N° 1952	209,- €
<input type="checkbox"/> abduction wedge, incl. holder and pad, Size M	M	110	82	95	N° 1953	209,- €
<input type="checkbox"/> abduction wedge, incl. holder and pad, Size L	L	125	90	100	N° 1954	209,- €
<input type="checkbox"/> Holder for abduction wedge (without pad)					N° 1951	165,- €

Foot fixation				
Article name	Size	Length L	Article-N°	Price
<input type="checkbox"/> with Velcro/fleece fastener and guide roller, Size. 1	1	15-20 cm	N° 781201	199,- €
<input type="checkbox"/> with Velcro/fleece fastener and guide roller, Size. 2	2	19-23 cm	N° 781202	199,- €
<input type="checkbox"/> with Velcro/fleece fastener and guide roller, Size. 4	4	24-28 cm	N° 781203	199,- €

Transport brackets	
Compatibility with electrical drive systems or Outdoor-Front-End	Transport brackets
<p>Please tick appropriate box if number N° 585069.. was selected (Without ticking an appropriate box, delivery will be without compatibility to additional systems):</p> <p><input type="checkbox"/> Outdoor-Front-End (restraint brackets at the front)</p> <p><input type="checkbox"/> Neither</p> <p>Restraint brackets must be replaced by a subsequent fitting of an Outdoor-Front-End to the wheelchair</p>	<p>Transport brackets (4 pieces) for transportation in a handicapped accessible passenger car</p> <p>CRASH TESTED ISO 7176-19</p> <p><input type="checkbox"/> Standard frame height (...20)</p> <p><input type="checkbox"/> XL frame height (...21)</p>
N° 585069..	CPD 380,-€

Electric drives and systems		
Recommendations	Provider	Information
<p>1. For all possible drives and systems we recommend casters of 6" or higher.</p> <p>2. Please regard the respective mounting possibilities and specifications given on the homepages indicated on the right.</p>	<p>for example www.aat-online.de or www.alber.de</p>	<p>Restrictions and adjustments to the installation and the final configuration of the wheelchair are the responsibility of the providers of the additional systems.</p>

Configurations and Adjustments

Axle plate bore holes alter the seat height by ± 2 cm each.

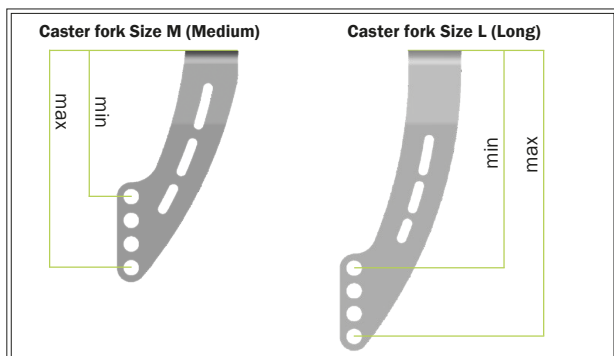
All specifications measured WITHOUT cushions!

The mounting of a short or a long caster fork depends on the desired measures indicated above.

Lower leg length: The maximal LLL possible results from the formula „chosen seat height front minus steering wheel diameter“. Larger LLL are possible dependent on the chosen seat depth, the size and position of the rear wheels and the depth adjustment of the foot rest. The setting range for the „internal mounting“ of the leg support is LLL 0-32 cm, for external mounting LLL 30-49 cm.

Please note: When using the Hemi-Adapter (N ° 280540/41) for the caster connection, the values for the front seat height of the table below are reduced by 2.5 and 4 cm, respectively. **Please also note the possible rear seat height.**

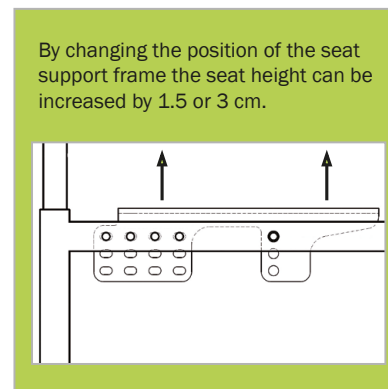
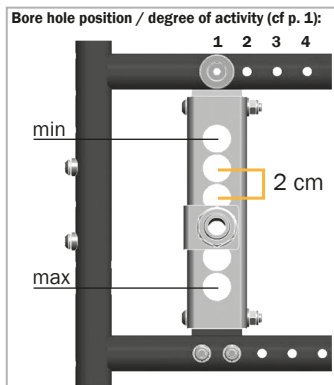
All specifications ± 5 %



Seat height front with caster fork (without seat inclination)			for XL-frame	
Caster/caster fork	min.	max.	min.	max.
4" (ø 10 cm) / m	39,5	43,5	43,5	47,5
4" (ø 10 cm) / l	43,5	47,5	47,5	51,5
5" (ø 12,5 cm) / m	41	45	45	49
5" (ø 12,5 cm) / l	45	49	49	53
5,5" (ø 14 cm) / m	43	45,5	47	49,5
5,5" (ø 14 cm) / l	45,5	49,5	49,5	53,5
6" (ø 15 cm) / m	43,5	46	47,5	50
6" (ø 15 cm) / l	46	50	50	54
7" (ø 17,5 cm) / m	46	47,5	50	51,5
7" (ø 17,5 cm) / l	47,5	51,5	51,5	55,5

Abbreviations: l = long, m = medium

Seat height back (without seat inclination)			for XL-frame	
Rear wheel	min.	max.	min.	max.
22" x 1"	34	46		
22" x 1 3/8"	35	47		
24" x 1"	36,5	48,5	40,5	52,5
24" x 1 3/8"	37,5	49,5	41,5	53,5
26" x 1"	-	-	43	55
26" x 1 3/8"	-	-	44	56



Configurations and Adjustments

All specifications ±5 %

Wheel combination for seat depths 34-36					
Caster wheel/ Rear wheel	4" possible with	5" possible with	5.5" possible with	6" possible with	7" possible with
22" x 1"	AP 1,2,3	AP 1,2,3	AP 1,2,3	AP 1,2,3	AP 1,2
22" x 1 3/8"	AP 1,2,3	AP 1,2,3	AP 1,2	AP 1,2	AP 1
24" x 1"	AP 1,2,3	AP 1,2,3	AP 1,2,3	AP 1,2	AP 1
24" x 1 3/8"	AP 1,2,3	AP 1,2,3	AP 1,2	AP 1	AP 1
Wheel combination for seat depths 38-44					
Caster wheel/ Rear wheel	4" possible with	5" possible with	5.5" possible with	6" possible with	7" possible with
22" x 1"	AP 1,2,3	AP 1,2,3	AP 1,2,3	AP 1,2,3	AP 1,2
22" x 1 3/8"	AP 1,2,3	AP 1,2,3	AP 1,2,3	AP 1,2,3	AP 1,2
24" x 1"	AP 1,2,3	AP 1,2,3	AP 1,2,3	AP 1,2,3	AP 1,2
24" x 1 3/8"	AP 1,2,3	AP 1,2,3	AP 1,2,3	AP 1,2,3	AP 1
No restrictions for wheel combination at seat depths 46-50					
Vector BSA with XL-frame					
Wheel combination for XL seat depths 44-50					
Caster wheel/ Rear wheel	4" possible with	5" possible with	5.5" possible with	6" possible with	7" possible with
24" x 1"	AP 1,2,3,4	AP 1,2,3,4	AP 1,2,3,4	AP 1,2,3,4	AP 1,2,3,4
24" x 1 3/8"	AP 1,2,3,4	AP 1,2,3,4	AP 1,2,3,4	AP 1,2,3,4	AP 1,2,3,4
26" x 1"	AP 1,2,3,4	AP 1,2,3,4	AP 1,2,3,4	AP 1,2,3,4	AP 1,2,3,4
26" x 1 3/8"	AP 1,2,3,4	AP 1,2,3,4	AP 1,2,3,4	AP 1,2,3,4	AP 1,2,3

AP = Axle plate position

Note:

Seat depth	Frame	Difference seat height front - seat height back (with seat inclination of 5°)
34 - 36 cm	Size 1	3 cm
38 - 44 cm	Size 2	3.5 cm
46 - 50 cm	Size 3	4 cm

Notes:

Terms and conditions

1. Preface and Scope

(1) Our terms and conditions apply exclusively. Any deviating, opposing, or complementing terms and conditions on the part of the business partner do not form integral part of contract unless explicitly approved by us. There are no exceptions to the consent requirement, which also applies in cases where we conduct deliveries without restrictions while aware of the business partner's terms and conditions.
 (2) Agreements made in the individual case with the purchaser (including side-agreements, supplements, and alterations) always take priority over these terms and conditions. A contract or our confirmation - both in written form - are authoritative for the content of such arrangements.
 (3) Any legally relevant declarations and notifications the purchaser submits to us after conclusion of the contract (e.g. setting of deadlines, notice of defects, declarations of rescission or abatement) require the written form to be valid.
 (4) Any information on the application of legal regulations serves the mere purpose of clarification. All regulations are legally binding without any such clarifications unless explicitly altered or excluded in these terms and conditions.

2. Prices

All prices are ex works, excluding insurance and packaging. The prices are net prices; the value-added tax is stated and charged separately according to the legally binding rate at the time of invoicing. The prices valid on the day of delivery are binding unless explicitly arranged otherwise.

3. Conclusion of Contract

SORG's offers are invitatio ad offerendum (invitations to treat). Ordering goods counts as an obligatory offer of contract on the part of the purchaser. Unless the order suggests otherwise, we have the right to accept this contract offer within two weeks time after reception. The acceptance of an offer of contract is effected by the confirmation of the order.

4. Terms of Payment

(1) Provided that no other agreements exist, payment is to be made by paying in advance - 50% at placing of order, 50% pre-delivery of goods. The purchaser bears any costs arising from transactions or discounting.
 (2) If a 30-day payment deadline is exceeded, a delay rate of 9% on top of the respective base rate of the European Central Bank falls due without the need for prior notices. Beyond that, the purchaser is charged 3,- € for any reminder sent. We reserve the right to make use of the commercial due rate according to § 353 HGB. A higher damage for delay may be enforced via a suitable verification.

5. Offers and Validity

All current price lists are generally valid until December 31 of the respective year, or until new price lists are published. The latest version of the price list will always be provided on our homepage. Offers older than 3 months at that point expire and must be replaced with new offers and prices.

6. Time of Delivery and Delay

We state the terms of delivery when accepting the order. The delivery date is non-binding and has mere guideline value - especially with regard to customised products. The terms for delay in delivery are defined by legal regulations. In any case, a writing notice issued by the purchaser is necessary for them to take effect.

7. Force Majeure (Act of God)

(1) SORG is not to be held responsible for the following delays of delivery. This also applies if these causes occur with respect to legal representatives, auxiliary persons, or deliverers of SORG: Circumstances of force majeure as well as other extraordinary events that are unpredictable and unavoidable for, and not caused by, SORG, and that only occur after ordering or reserving, and that SORG could not have known about. Moreover, this applies in case of strikes, fire, floods, labour disputes, business disruptions, altered magisterial approbation and legal situation, and magisterial orders which are not due to operational risks.
 (2) In the cases of paragraph 1, SORG is eligible to delay delivery/performance for the time of hindrance as well as an appropriate start-up time. If SORG thus causes unacceptable complications for the purchaser, both SORG and the purchaser are eligible to withdraw from the contract. Circumstances that only lead to a temporal and hence acceptable delay of delivery and performance are excluded from this right. The legal rights of the client remain unaffected.

8. Dispatch

We generally dispatch uncovered by insurance and at the recipient's risk. We transfer the risk of coincidental loss or deterioration of the goods as well as delay on to the client at the moment of passing the goods on to the forwarder, bearer, or any other person/institute responsible for delivery. SORG will make any effort to respect the client's wishes in terms of path and kind of delivery. Any costs caused by this (including agreed carriage free delivery) are to be covered by the client.
 In the case of carriage free delivery conducted by SORG, the recipient is required to put forward any carriage costs for a refund. If the client wishes the dispatch to be delayed, any risk of loss or deterioration of the goods is carried by the recipient from the first day of readiness for dispatch. The goods dispatched are only insured upon special demand and at the cost of the recipient.

9. Damage through Delivery/Angelieferte Gegenstände sind, auch wenn sie unwesentliche Mängel Upon delivery, the goods need to be checked for obvious damage in the presence of the bearer. Any damage is to be documented in a written form and co-signed by the bearer. This protocol is to be forwarded to us immediately. Delayed reclamations, or reclamations not signed by the bearer, cannot be taken into account.

10. Warranted Features, Receipt, and Technical Alterations

Delivered objects, even with minor damage, are to be accepted by the client, even if §433.paragraph 1 BGB is not fulfilled. Partial deliveries are permissible. Features only count as warranted if explicitly designated as such. A warranty of condition can only be asserted explicitly and in a written form. SORG reserves the right for technical alterations, especially for solutions of equal or higher value.

11. Warranty for Defects

(1) SORG warrants for any defects of delivered new goods for 12 months as long as the purchaser is not the user (§§ 474, 13 BGB). Should the purchaser be the user then the warranty period is two years for new goods, for used goods 12 months. Should the purchaser also be an entrepreneur, then the liability for used items is void, as long as there is no claim for compensation according to N° 12.
 (2) The purchaser's claim for defects presuppose that he has attended his obligation to give notice of defects on the legal grounds for his reasons of inquiry (§§ 377, 381 HGB). If defects are found during the inspection or at a later point, we are to be notified in writing without delay. The notice counts as not delayed if issued within two weeks. Posting the notice on time suffices for the keeping of the term. Independently from this obligation to inspect and give notice, the purchaser

is to report obvious defects (including wrong and short delivery) within two weeks upon delivery (again, posting the notice on time suffices). If the purchaser misses the proper inspection and/or notice of defects, we do not warrant for the reported defects. If the delivered good is detected, we may choose to conduct supplementary performance either by repairing the defect (subsequent improvement) or by delivering flawless goods (compensation delivery). Our right to refuse the chosen method of supplementary performance on the respective legal grounds remains untouched.
 (3) Our liability for defects expires when alteration or maintenance works are done by the client or a third-person-party without our prior written permission. Consequences of excessive strain, negligent or incorrect handling, and violent damage are excluded from the warranty for defects.

12. Further Liability

(1) With respect to compensation - regardless of the legal cause - SORG is only liable in case of malice and act of gross negligence. In case of slight negligence, SORG is only liable for damage of life, body, health, and for damage caused by the negligence of an essential contractual obligation (an obligation whose fulfillment make the proper realisation of the contract possible in the first place and in whose fulfillment the contract partner regularly trusts and can trust). In this case, however, our liability does not exceed the covering of predictable, typically occurring damage.
 (2) A free right to termination on the part of the purchaser (acc. to § 651, 649 BGB in particular) is precluded. Otherwise, the usual prerequisites and legal consequences apply.

13. Costs of Supplementary Performance

Costs of supplementary performance cannot be charged on SORG's account.

14. Voluntary Withdrawal of Goods

SORG is not obliged to take back any delivered end products or parts thereof. If SORG voluntarily decides otherwise in individual cases (especially for therapeutically altered requirements or deaths), SORG refunds a maximum of 75% of the delivery costs for unused parts whose delivery does not date back more than three months. There is no legal obligation concerning withdrawal in this respect. Deliveries which date back more than three months as well as sewed parts and customised products are not returnable. A copy of the delivery note or the bill serves as proof of age of delivery.

15. Reservation of Ownership

Goods delivered by SORG remain the property of SORG until any obligations from the parties' business contract on the part of the purchaser have been redeemed. This also applies if SORG has adapted individual or all claims into a running account which has been balanced and acknowledged. The purchaser has the right to dispose of the goods in the proper course of business. The purchaser hereby yields all claims to SORG which arise from the resale against the purchaser or third parties. The purchaser is authorised to withdraw these claims even upon conveyance. SORG's right to withdraw the claims remains untouched. However, SORG is obliged not to withdraw the claims as long as the purchaser complies with his duty of payment and any other duties. SORG has the right to demand that the purchaser makes known the yielded claims and their debtors, that he provides all information necessary for conveyance, and that he hands in all associated documents. As long and insofar the reservation of ownership is intact, the purchaser must not transfer any goods for securing or bailment without SORG's permission. The purchaser may process or alter the goods for the benefit of SORG exclusively. If processed with other goods which do not belong to SORG, SORG obtains co-ownership of these new goods in relation to the invoice value to the cost price of the other processed goods. If a third party interferes with SORG's ownership, the purchaser is to notify SORG immediately. The purchaser must not make any agreements with other purchasers which may exclude or limit SORG's rights. In particular, the purchaser must not make any agreements which destroy or limit the advance assignments to SORG. If the estimated value of the existing guarantees exceeds the claims to be ensured by more than 20%, SORG is insofar obliged to release by request of the purchaser.

16. Copyright Protection

If SORG conveys any images, drawings, indications of weight or measurements, technical documentations, or other product descriptions and documents (including electronic ones), the respective indications only apply if explicitly stated that they do. SORG reserves ownership and copyright of all these documents. They may only be made available to third parties upon SORG's explicit permission.

17. Place of Fulfilment, Place of Jurisdiction, and Severability Clause

(1) The law of the Federal Republic of Germany applies for these Terms and Conditions and all legal relations between us and our business partners. All international and supranational (contractual) legal systems, the UN Convention on Contracts for the International Sale of Goods in particular, are hereby excluded. Prerequisites and effects of the reservation of ownership acc. to no. 15 are subject to the right of the respective storage location of the good if the choice of law made in favour of the German law is illegitimate or ineffective. The only place of jurisdiction (also on an international basis) for any disputes arising directly or indirectly from the contractual relationship is, according to German Commercial Code, our office in Oberhausen-Rheinhausen, Germany. However, we also have the right to file a suit concerning the general jurisdiction of the purchaser.
 (2) If any clause in these Terms of Conditions should turn out to be ineffective, this does not affect the effectiveness of all other clauses.

Technical alterations and misprints reserved. As of: January 2017

SORG Rollstuhltechnik GmbH + Co. KG
 Benzstr. 3-5, 68794 Oberhausen-Rheinhausen / Germany
 Phone +49 7254 / 9279-0
 Fax +49 7254 / 9279-10
 info@sorgrollstuhltechnik.de, www.sorgrollstuhltechnik.de