

# Boogie Fix & Swing



## Instructions for use

## Imprint

SORG Rollstuhltechnik GmbH + Co. KG  
Benzstrasse 3-5  
68794 Oberhausen-Rheinhausen / Germany

Phone +49 7254-9279-0  
Fax +49 7254-9279-10  
E-Mail [info@sorgrollstuhltechnik.de](mailto:info@sorgrollstuhltechnik.de)  
Web [www.sorgrollstuhltechnik.de](http://www.sorgrollstuhltechnik.de)

## Revision status


2023-01-27

## Technical status

Technical changes and misprints reserved.  
The pictures in this Instructions for use can differ from the actual equipment components. However, a corresponding conduction is possible.

## Copyright

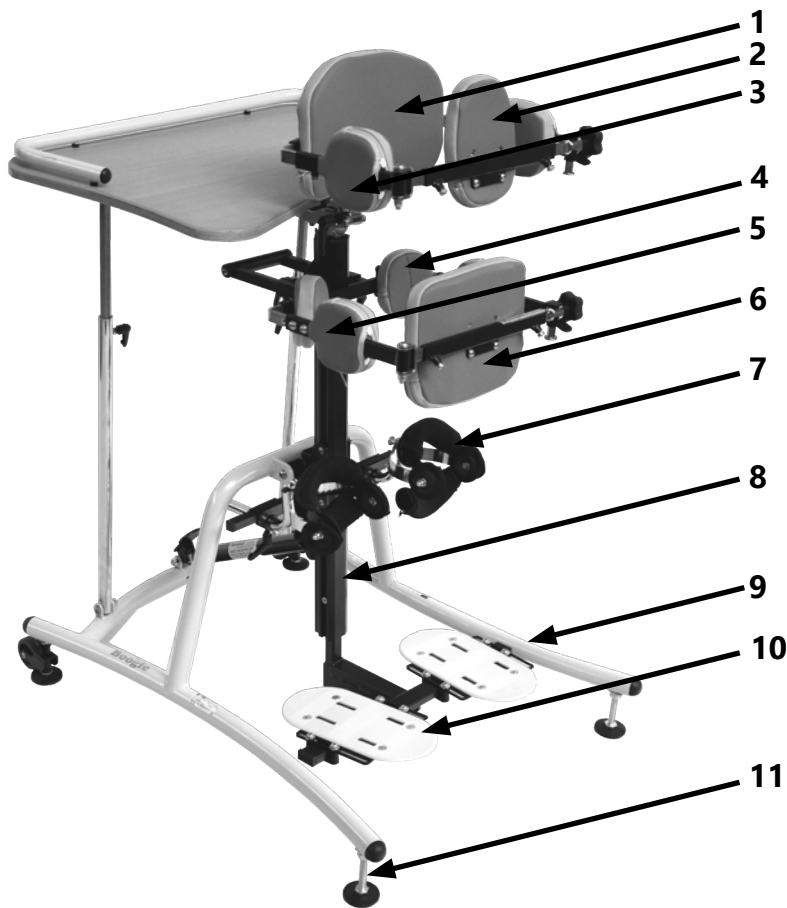
All texts, pictures and graphics underlie copyright protection. All rights, including copying, publishing, editing and translating, remain reserved. © by SORG Rollstuhltechnik GmbH+Co. KG Benzstraße 3-5, 68794 Oberhausen-Rheinhausen / Germany.

 Our terms and conditions can be found on our order forms and at [www.sorgrollstuhltechnik.de/impressum](http://www.sorgrollstuhltechnik.de/impressum)

<b>1 Standing trainer overview</b>	<b>4</b>	<b>4 Repairs/maintenance/reinstatement</b>	<b>22</b>
<b>2 General information</b>	<b>5</b>	4.1 Repairs	22
2.1 Preface	5	4.2 Spare parts	22
2.2 General information regarding usage instructions	5	4.3 Maintenance	22
2.2.1 Signs and Symbols	6	4.4 Disinfection	22
2.2.2 Intended purpose	7	4.5 Storage	22
2.2.3 Indication	7	4.6 Reinstatement	22
2.2.4 Contraindication	7	4.7 Disposal	22
2.3 General safety information	8	4.8 Maintenance/ inspection	22
2.3.1 Loading and transport without occupants	10	4.6 Lifespan	23
2.3.2 Other important information	10	4.7 Reinstatement	23
		4.8 Disposal	23
		4.9 Maintenance/Inspection	23
<b>3 Handling</b>	<b>11</b>	<b>5 Technical data</b>	<b>25</b>
3.1 Handling posterior truss pad	11	5.1 Data and measurements	25
3.1.1 General information regarding posterior truss pad	11	5.2 Meaning of labels	26
3.1.2 Posterior truss pad with crotch pad	11	5.3 Declaration of conformity	26
3.1.3 Posterior truss pad swivel bracket	12	<b>6 Verification of yearly inspection</b>	<b>27</b>
3.2 Handling centre column	14		
3.2.1 General information regarding centre column	14		
3.3 Handling pelvic truss pad	15		
3.3.1 General information regarding pelvic truss pad	15		
3.4 Handling back truss pad	16		
3.4.1 General information regarding back truss pad	16		
3.5 Handling chest pad	17		
3.5.1 General information regarding chest pad	17		
3.6 Handling Knee truss pad	18		
3.6.1 General information regarding knee truss pad	18		
3.7 Handling footrest	19		
3.7.1 General information regarding footrest	19		
3.7.2 Foot plate belt	20		
3.8 Handling swivel caster	21		
3.8.1 General information regarding swivel casters	21		

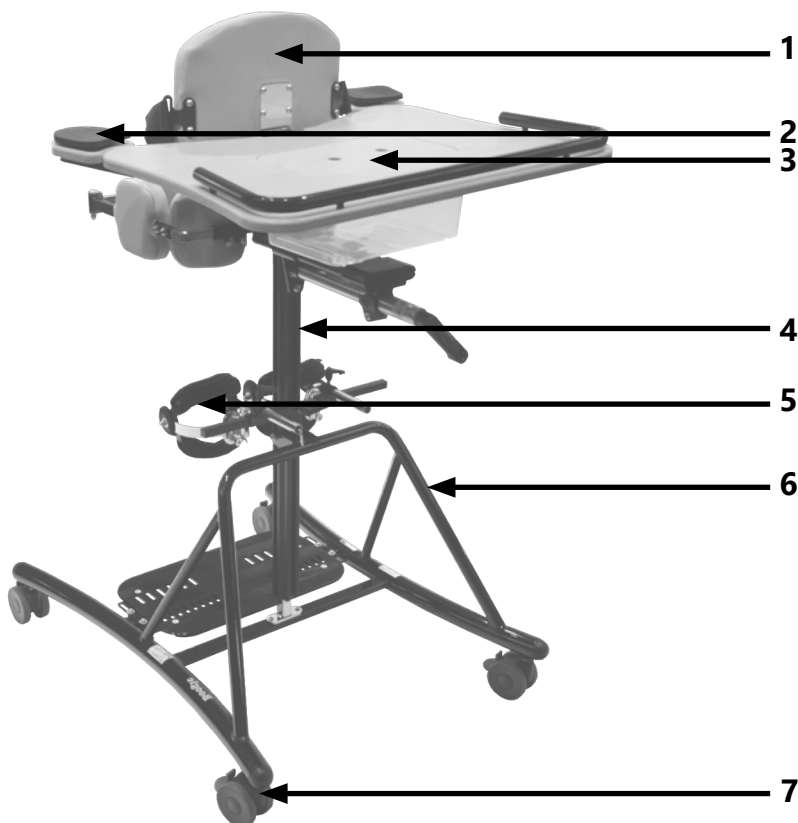
# 1 Standing trainer overview

## Boogie Swing overview



- 1 Chest pad
- 2 Back truss pad
- 3 Side chest pad
- 4 Spine pad
- 5 Side posterior truss pad
- 6 Posterior truss pad
- 7 Knee truss pads
- 8 Centre column
- 9 "Swing" frame
- 10 Footrests
- 11 Supporting feet

## Boogie Fix overview



- 1 Chest pad
- 2 Armrests with padding
- 3 Therapy table
- 4 Centre column
- 5 Knee truss pads
- 6 "Fix" frame
- 7 Casters

### 2.1 Preface

A warm welcome to the SORG family – many thanks for the trust you have placed in us and for choosing our product.

This standing trainer has been individually tailored to meet your specific requirements.



You will find the usage and adjustment instructions below so that you can use the standing trainer in everyday life without tools. Please observe these instructions and handle the standing trainer carefully so that you can enjoy it for as long as possible.

Please do not hesitate to contact us if you have any questions about this or any other product.

We hope you enjoy using your SORG product.

Your SORG team


### 2.2 General information regarding usage instructions

These usage instructions contain safety information and handling instructions that are necessary for the correct use of the product.

All settings, adjustments and repairs beyond the scope of these usage instructions, and the annual inspection, must be carried out by a qualified specialist dealer.

You can find more information about this in our service record, which can be accessed at [www.sorgrollstuhltechnik.de](http://www.sorgrollstuhltechnik.de)

The user and specialist dealer must have read and understood these instructions before commissioning. These usage instructions cover all equipment variants of the product. Have your consultant instruct you on the safe handling of the standing trainer and your individual equipment variants on level ground and with the support of an accompanying person.

 Those with impaired vision can find these usage instructions on our website [www.sorgrollstuhltechnik.de](http://www.sorgrollstuhltechnik.de) as PDF and audio files.

Please contact your specialist dealer or our team if you have any questions or comments (+49 7254 9279-0).

Keep these usage instructions in a safe place. All annual inspections carried out must be documented by the specialist dealer.

## 2 General information

### 2.2.1 Signs and Symbols



**ATTENTION!** Warnings for personal Safety aspects that are of the utmost importance.



important detail



**CORRECT** safety adjustment/ use



correct or proper use/setting



**WRONG** adjustment /use



incorrect or improper use/setting



**NOT ALLOWED**

(A); (B)

reference from text to detail



**References** to additional/ continuing reading.

#### USE



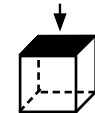
Push/ pull/ insert/ move/ remove



point of view



Push in specific direction



view from top



Setting or adjusting the angle



view from the side



open/close



view from the bottom



Turn clockwise



view from the front



Turn counterclockwise



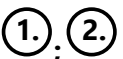
view from the back



steps to be done at the same time



fasten parts



steps to be done after each other



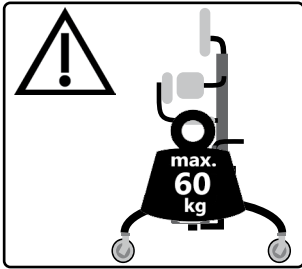
remove parts




steps to be done on both sides

### 2.2.2 Intended purpose

The Boogie Fix and Boogie Swing are standing trainers for children and young people for indoor use with a central centre column. This can be adjusted forwards by up to 30° on the Swing model.





 The aid is designed exclusively for temporary use in accordance with therapeutic specifications.


The standing trainer is designed solely for the transport of the person for whom it has been specially adapted by a qualified specialist dealer.

Parents or authorised guardians must ensure that the information in the usage instructions is followed for children or persons with impaired capacities.

The safe use of the aid to the greatest possible extent is only possible indoors on level, firm and dry ground with the help of an accompanying person.

 Any use beyond this entails taking a variety of risks for which only the user themselves can take responsibility. This requires sufficient competence in identifying and avoiding hazards and safe handling of the aid by the user!

 Only use the standing trainer for its intended purpose. Any improper use of the product involves considerable risks and will invalidate product liability.

 The large variety of combinations means that settings can be made that are outside the safety and application range.

### 2.2.3 Indication

Use is suitable for the following functional impairments, among others:

- Inability to take up and maintain a standing position by oneself, in particular due to:
  - Paraplegia
  - Multiple sclerosis at an advanced stage
  - Cerebral palsy
  - Muscular dystrophy

### 2.2.4 Contraindication

Use is unsuitable for:

- Serious perception and balance disorders,
- Loss of limbs of the lower extremities,
- Joint contractures/joint damage to the arms and/or legs,

 We accept **no** liability for damage to persons or objects resulting from the circumstances described above.

### 2.3 General safety information



**Before each use, check:**

- that all truss pads are firmly in place,
- the frame, add-on parts and accessories for visible damage, bending, cracks or missing or loose screws,
- the wheels and quick-release axles for tightness,
- that the inflation pressure and tyre tread are sufficient,
- that the brakes are working properly,
- that the locking mechanisms (springs, quick-release axles, eccentric clamps, etc.) are tight,
- that all previously dismantled components have been reconnected and firmly locked.



There is a risk of injury (e.g. due to crushing) from all rotating, swivelling or foldable components, even during adjustment and repair work and during transport.



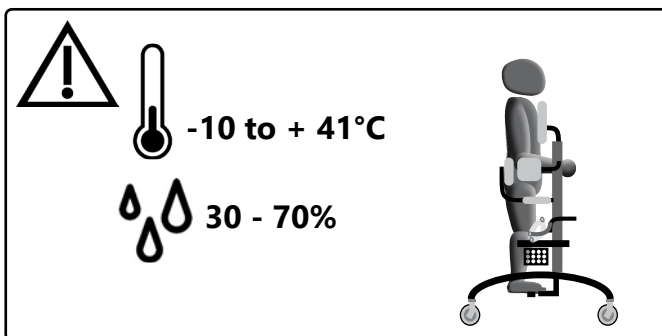
Structural modifications may only be carried out with our explicit approval and only by the specialist dealer. These must be documented.



The occupant must not be left in the aid unattended.



The standing trainer must only be used if all components are correctly fitted and adjusted.



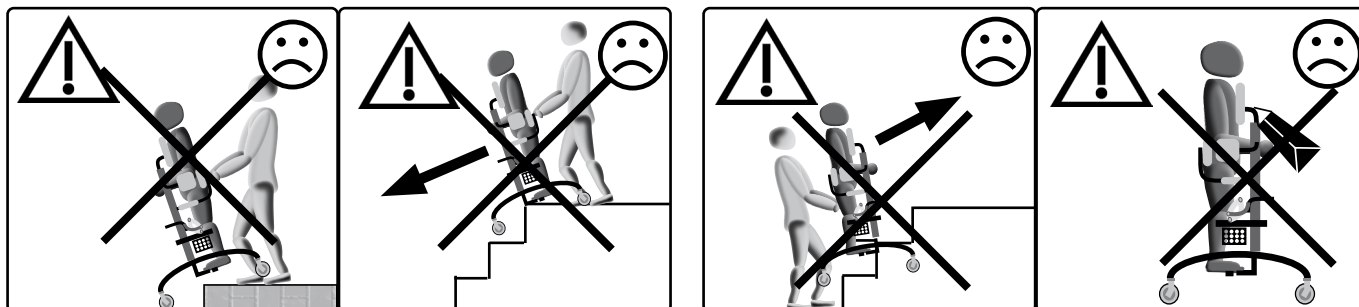
If the standing trainer is used in an area without thresholds, the wheels should be adjusted in such a way that each wheel maintains ground contact. In the case of frequent crossing of e.g. door thresholds or the like, the front wheel should not be in contact with the ground.



## 2 General information

### Danger of tipping over and overturning

⚠ There is a danger of tipping over and overturning with all types of ledges, thresholds, inclined planes and steps as well as when leaning out of the standing trainer. The occupant must remain stable in the standing trainer, be well harnessed and all lockable truss pads must be firmly secured.



To cross a threshold:

- The accompanying person must move the standing trainer slowly and at a right angle to just before the threshold, before
- slowly crossing the threshold.

### Getting in and out

⚠ An accompanying person must always provide assistance when the occupant gets into or out of the standing trainer.

⚠ Occupants must only get in and out of the trainer on level, horizontal and firm ground and with the parking brake applied and the wheel locks on the rear casters on.

⚠ Only experienced and strong occupants should get into the trainer independently and only in the presence of an accompanying person, since this requires a lot of strength and skill.

## 2 General information


### 2.3.1 Loading and transport without occupants


Make sure that the packing size you require is suitable and secure the standing trainer and all dismantled components with sufficient load securing. Inform yourself about suitable load securing precautions before transport.

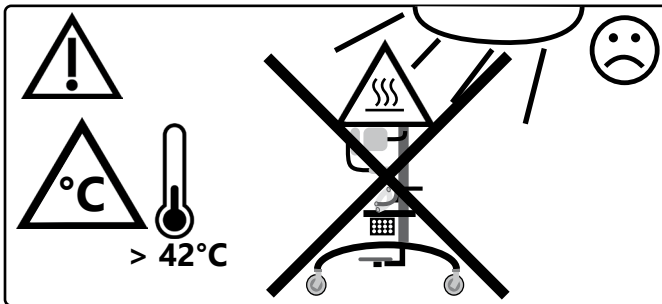
#### Carrying points:

- Frame tubes
- But **not** on the leg supports or truss pads

### 2.3.2 Other important information

 The standing trainer's textile materials have been tested and verified for fire resistance in compliance with the applicable standards. Nevertheless, there is a risk of ignition of the flame-retardant textile components. Keep any sources of ignition away from the standing trainer.

 The standing trainer must neither be exposed to excessive moisture nor come into contact with salt water.




Please contact your specialist dealer or us as the manufacturer if you experience any issues with the standing trainer. Product recalls etc. will be published on our website [www.sorgrollstuhltechnik.de](http://www.sorgrollstuhltechnik.de). You can also find the respective contact persons there.

#### *Corrosion protection*

The product has been designed with corrosion protection in mind when selecting the materials (e.g. plastic, aluminium, stainless steel). All materials prone to corrosion are surface-treated and are therefore protected.

The standing trainer must be dried thoroughly if it becomes wet.

#### *Lifespan*

 Use beyond the specified lifespan increases the residual risks and should only be carried out after careful, qualified consideration by the operator. If the useful life is reached, the user or a responsible person should contact the specialist dealer. There you can be informed about the possibility of reprocessing the product.

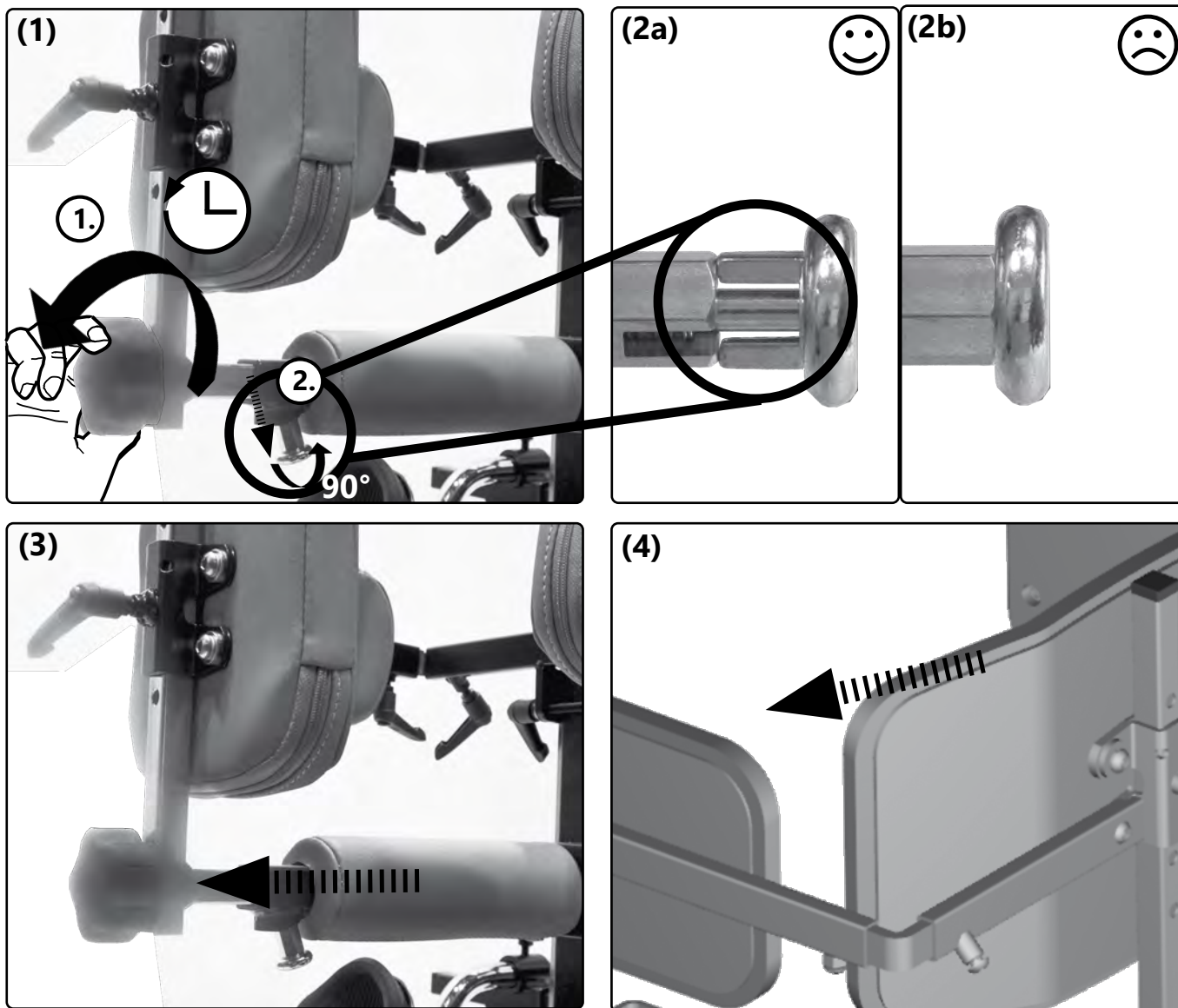
# 3.1 Handling posterior truss pad

## 3.1.1 General information regarding posterior truss pad

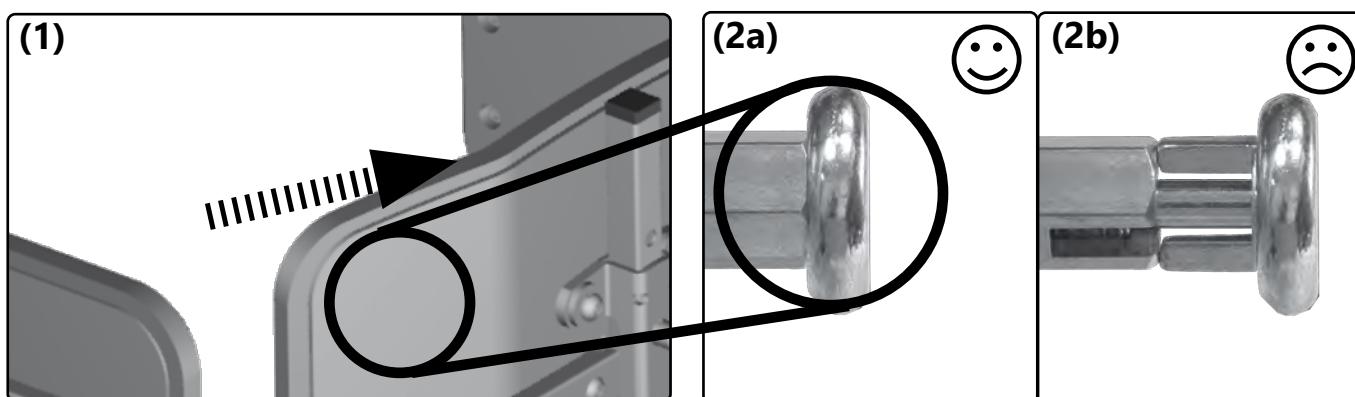
The star grip must be tightened. The latch alone is **not** sufficient for stabilisation! The standing trainer is not ready for use without the star grip firmly secured!

## 3.1.2 Posterior truss pad with crotch pad

*Removal (to insert, proceed accordingly in reverse order):*

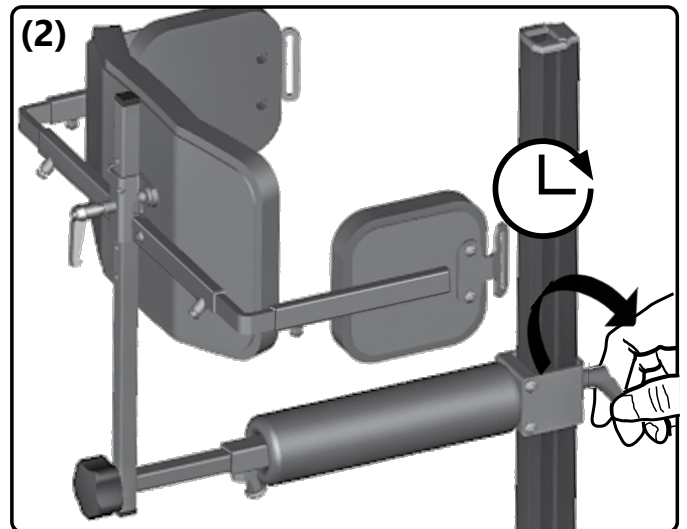
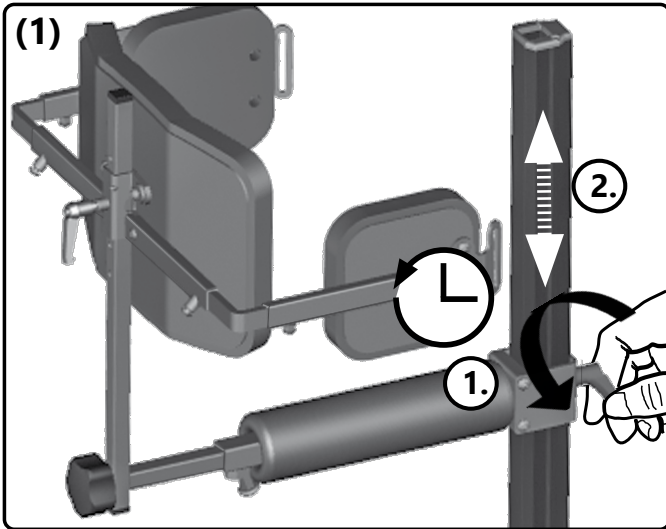


*Set depth:*

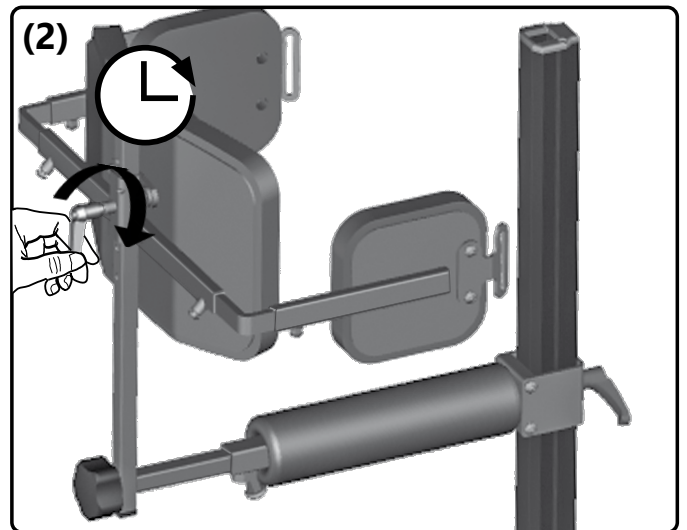
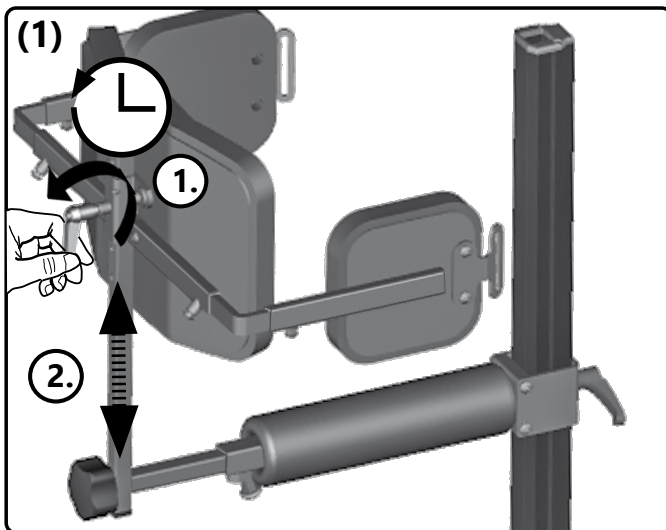


### 3.1 Handling posterior truss pad

Set height of step pad:

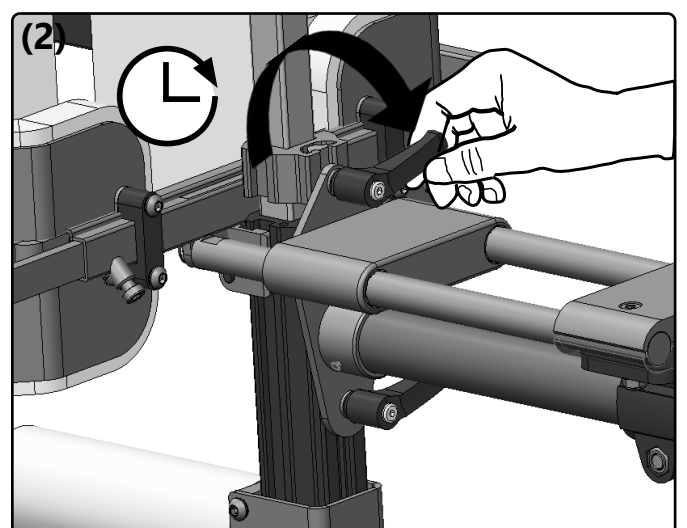
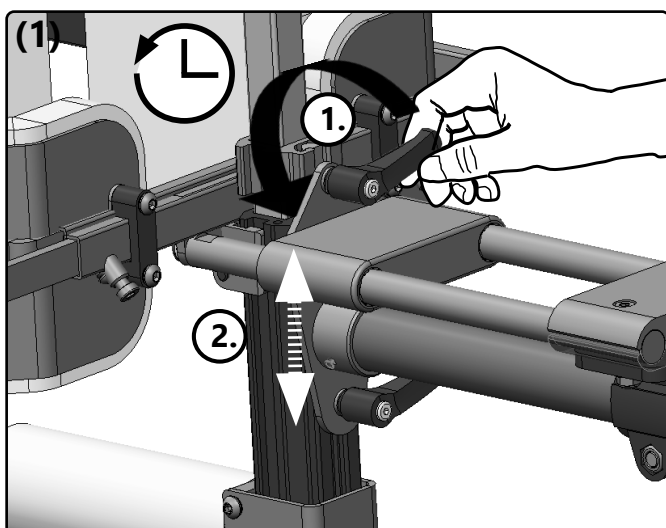


Set height of posterior truss pad:



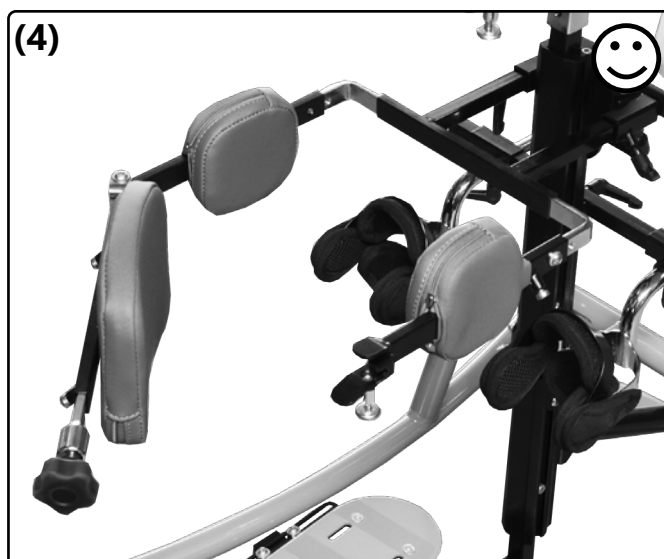
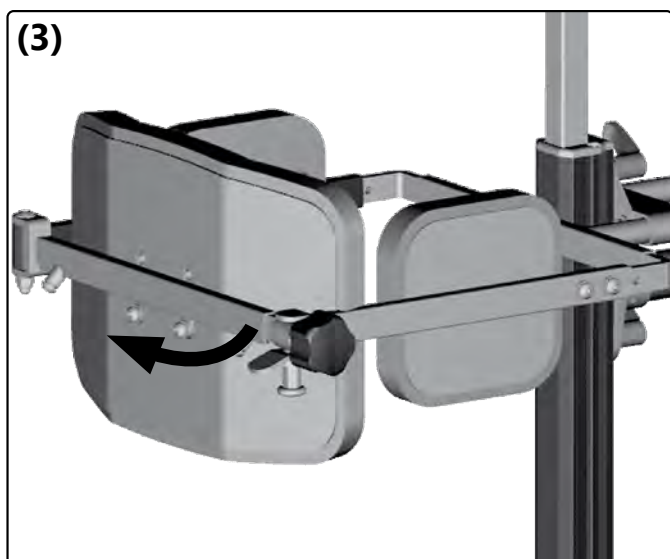
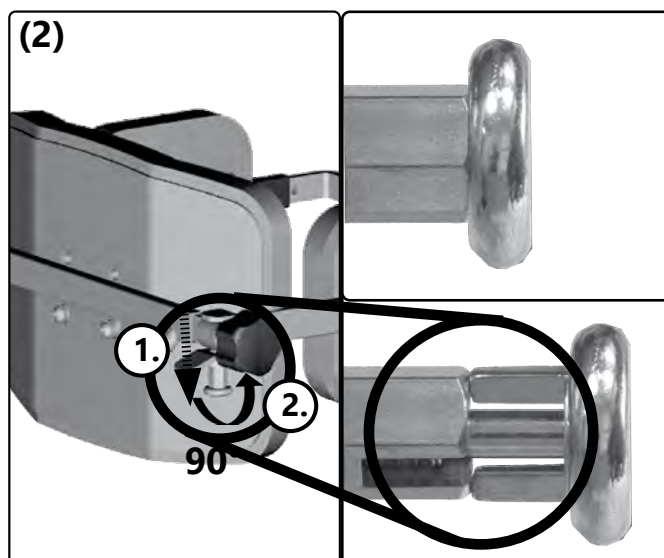
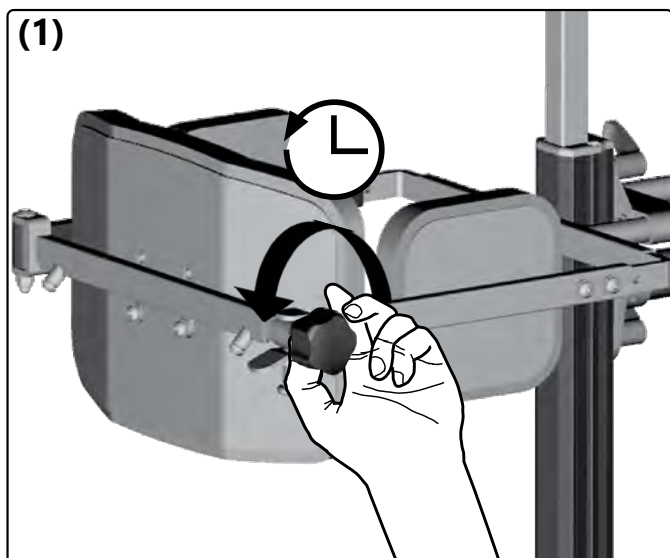
#### 3.1.3 Posterior truss pad swivel bracket

Set height:

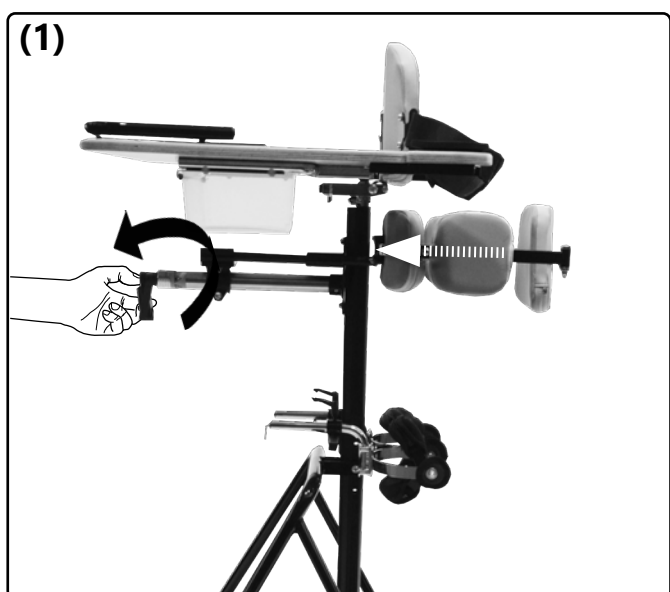


### 3.1 Handling posterior truss pad

Open (to close, proceed accordingly in reverse order):



Set depth on posterior truss pad with swivel bracket and crank:



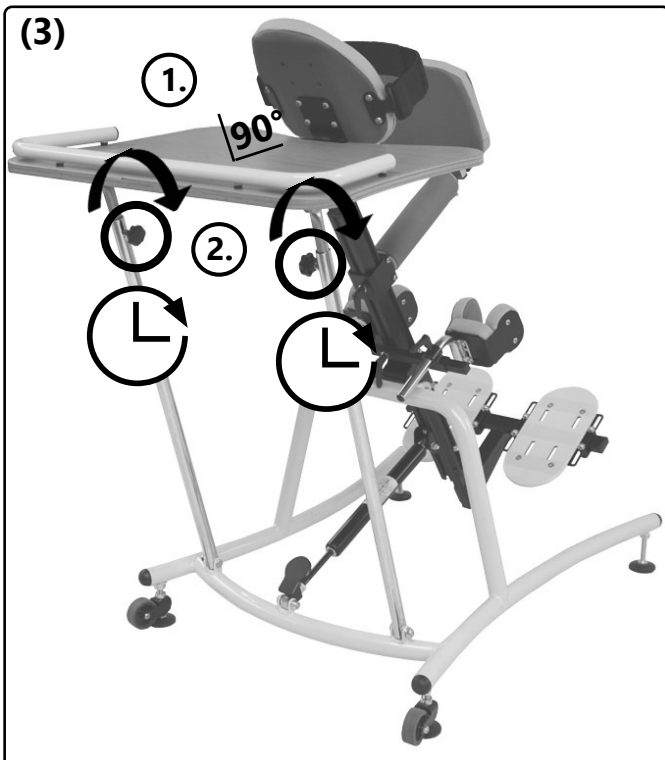
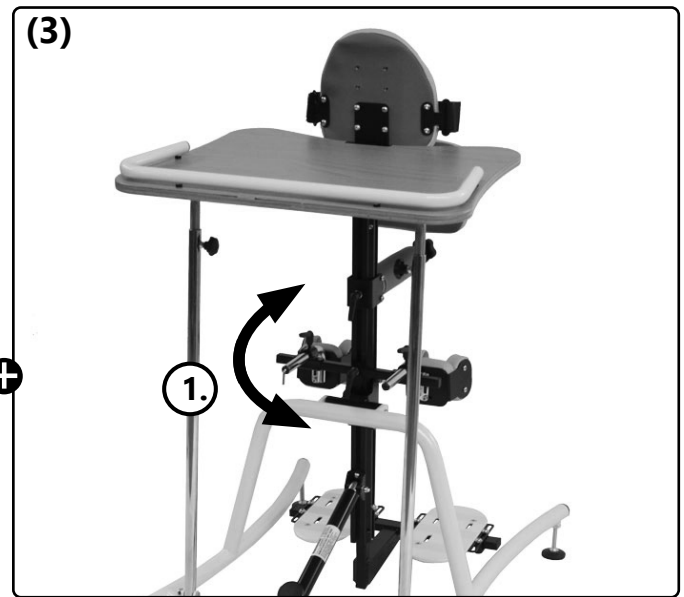
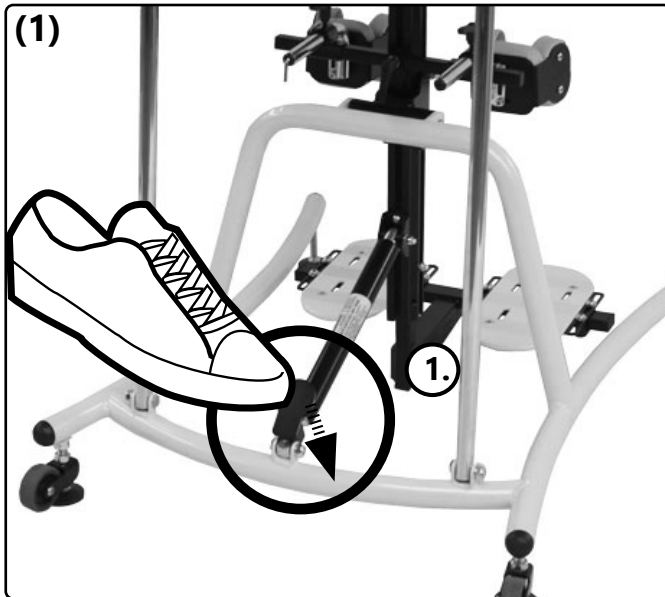
## 3.2 Handling centre column

### 3.2.1 General information regarding centre column

In order to adjust the angle with the gas pressure spring, the occupant and/or the centre column must be held using both hands while the tripping lever is actuated, since otherwise the occupant could tilt forwards abruptly and injure themselves.

The angle must only be adjusted when the trainer is stationary and with the wheel locks activated (drum brake and rear caster brake).

*Boogie Swing angle adjustment:*

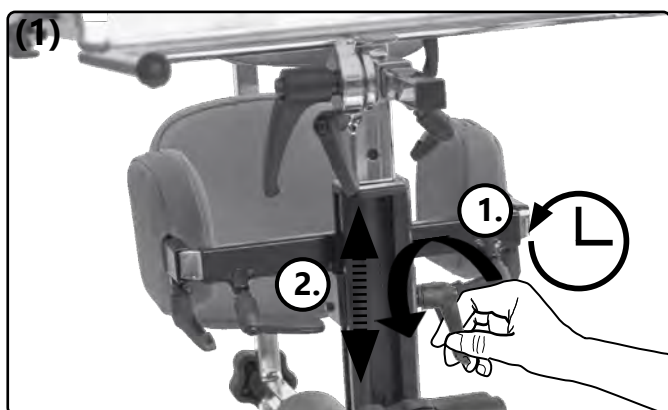


# 3.3 Handling pelvic truss pad

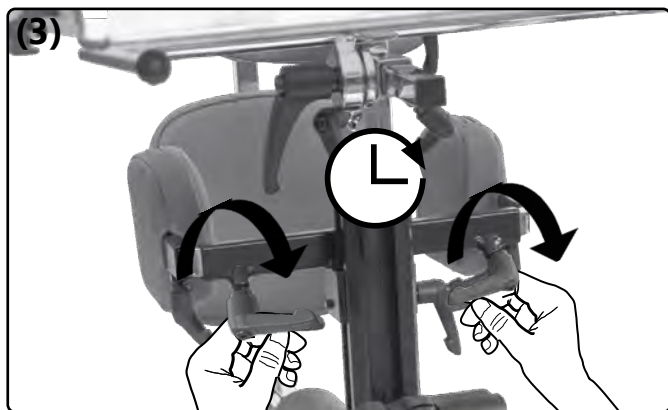
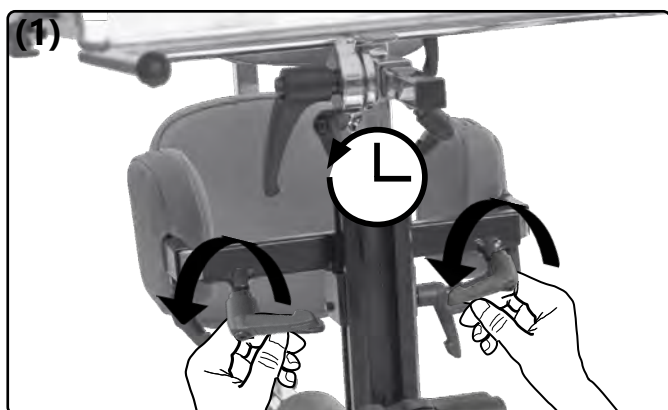
## 3.3.1 General information regarding pelvic truss pad

The truss pads can be optionally equipped with setscrews or clamp levers.

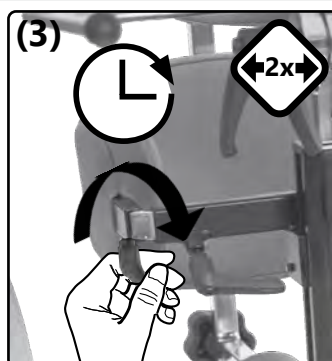
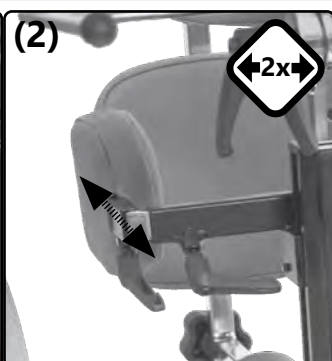
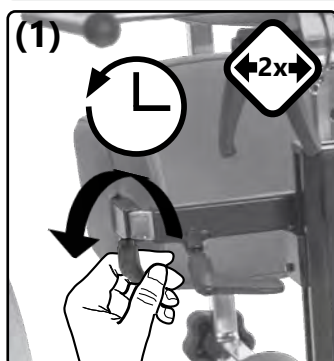
Set height:



Set width:



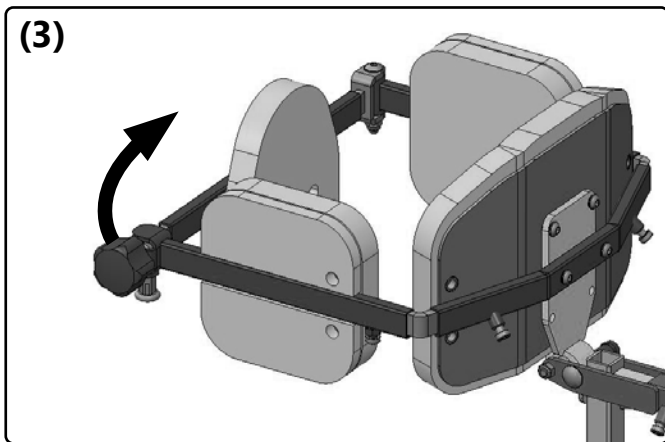
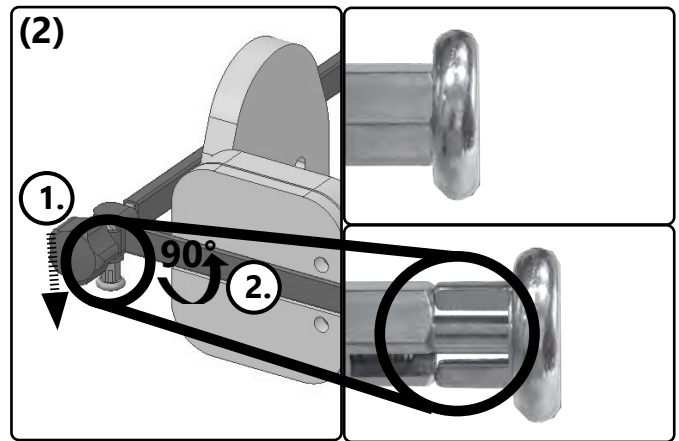
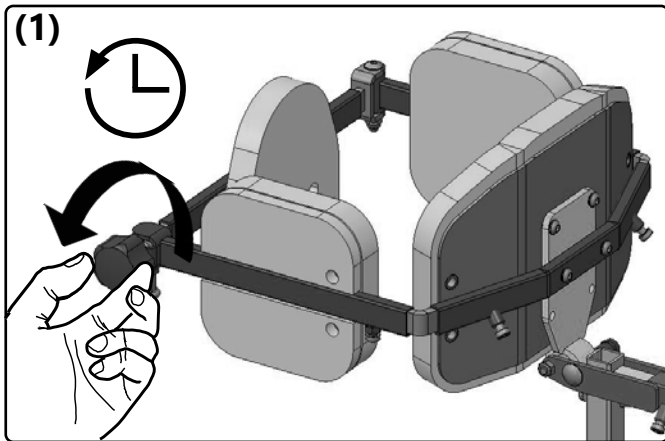
Set depth:



# 3.4 Handling back truss pad

## 3.4.1 General information regarding back truss pad

Open (to close, proceed accordingly in reverse order):

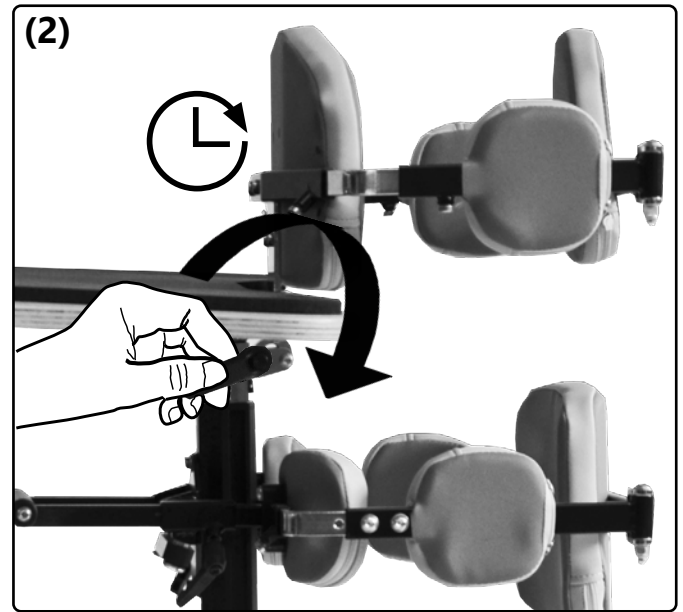
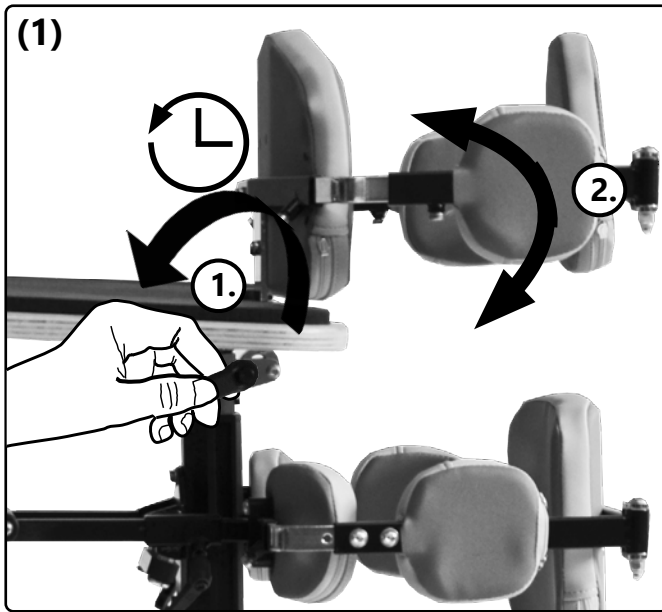




## 3.5 Handling chest pad

### 3.5.1 General information regarding chest pad

*Set inclination:*

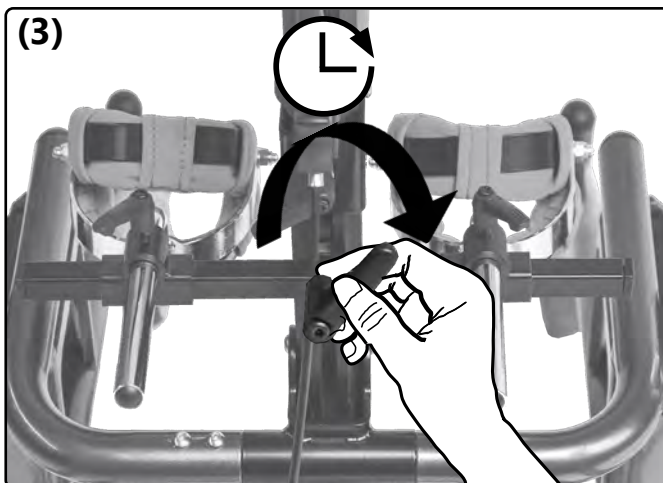
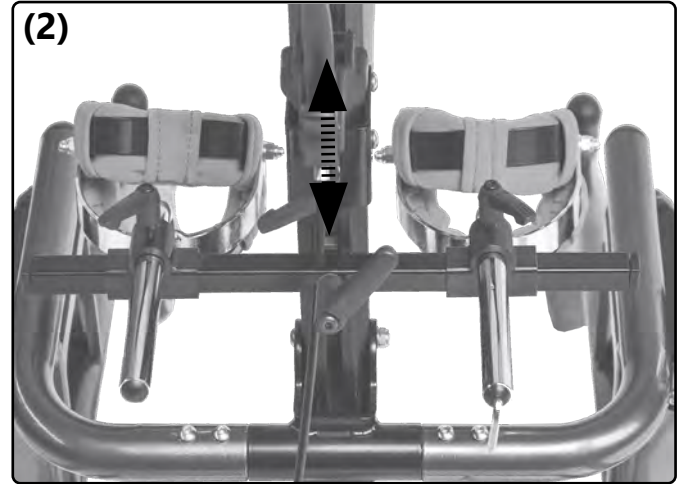
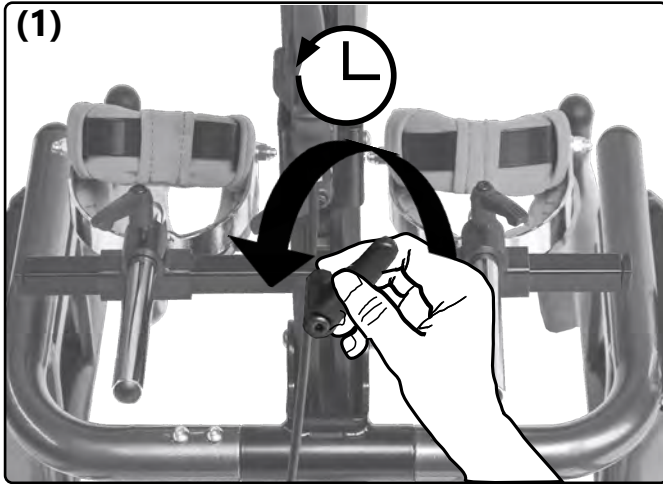


# 3.6 Handling Knee truss pad

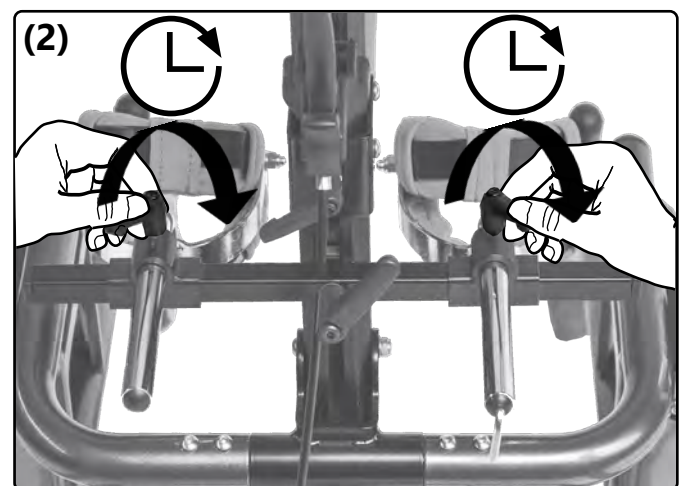
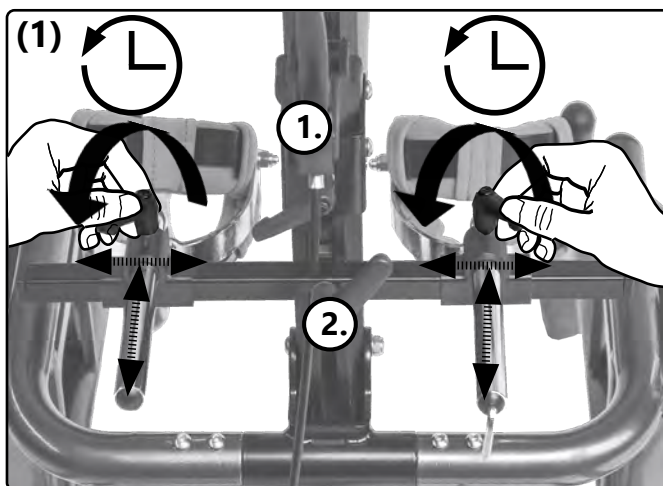
## 3.6.1 General information regarding knee truss pad

The width of the knee truss pads must be set to the individual dimensions of the occupant before use. Only fine adjustments may then be made.

*Set height:*



*Set depth/ distance:*

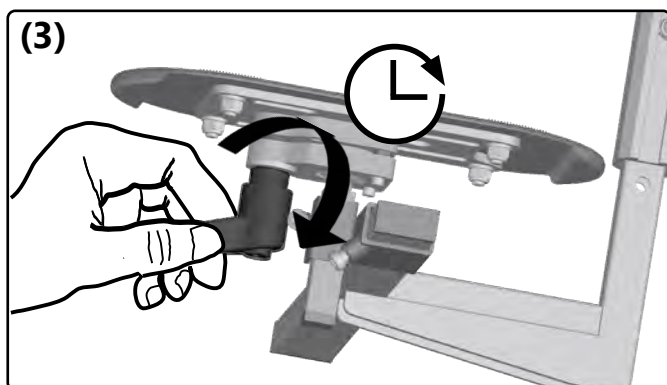
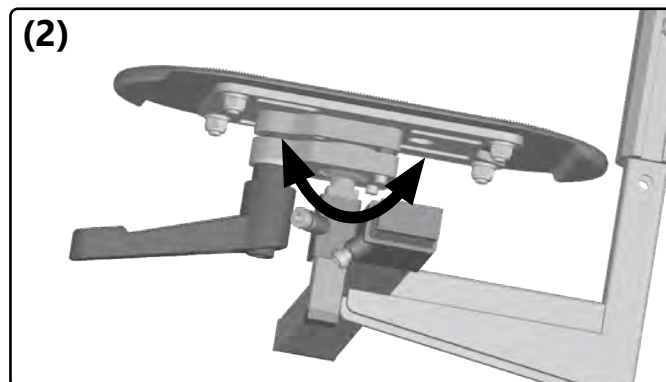
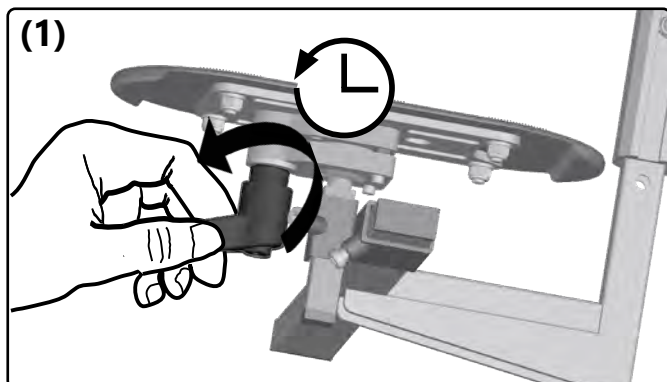


## 3.7 Handling footrest

### 3.7.1 General information regarding footrest

There must be nobody in the standing trainer while adjustment work on the footrests is being carried out.

*3D footrest angle adjustment:*

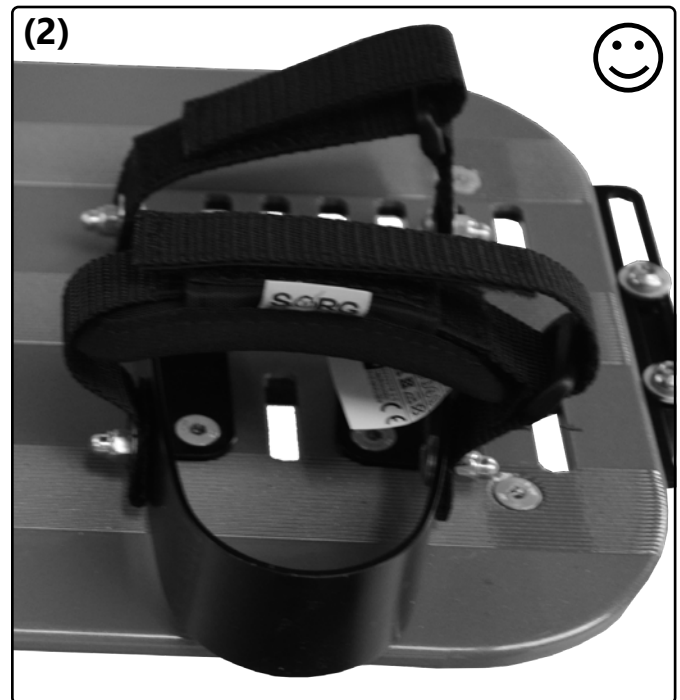
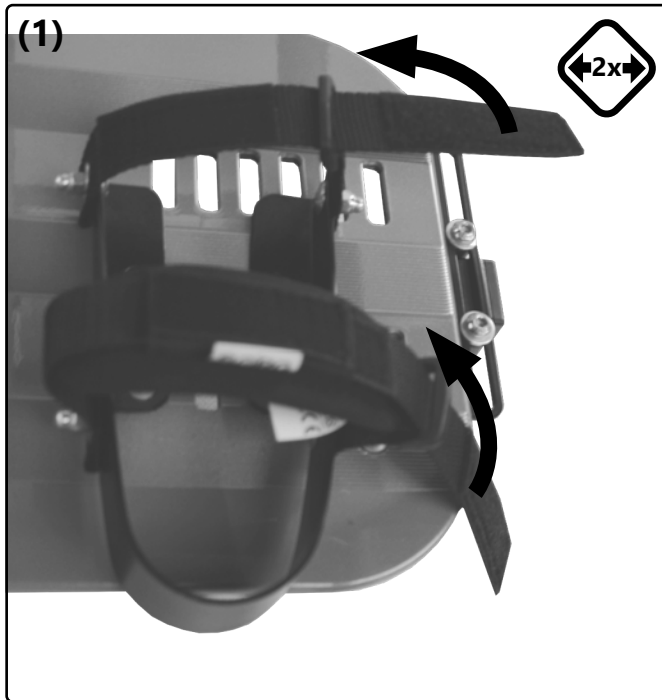


Firmly close the clamp lever and check the fixed position of the footrest.

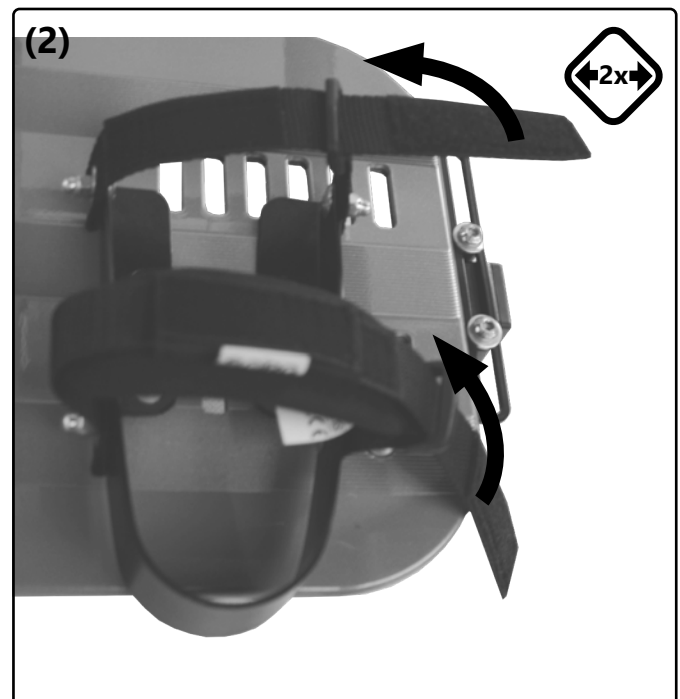
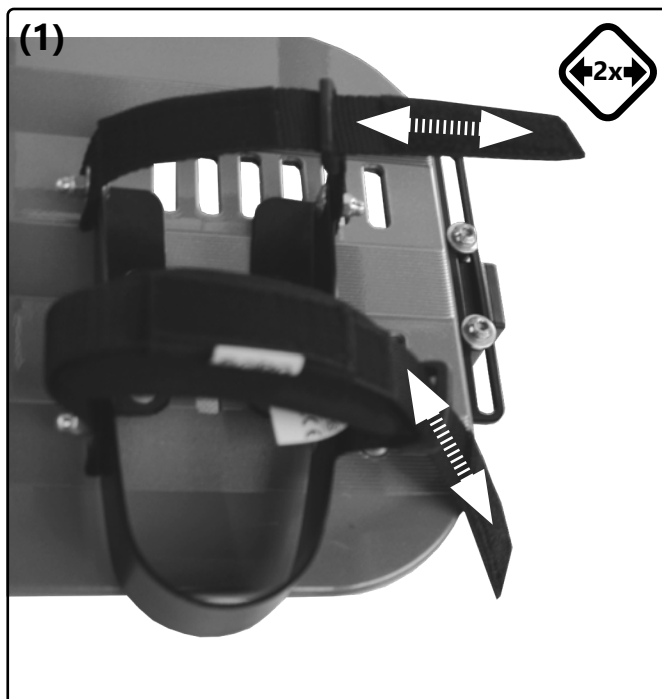
## 3.7 Handling footrest

### 3.7.2 Foot plate belt

Close (to open, proceed accordingly in reverse order):



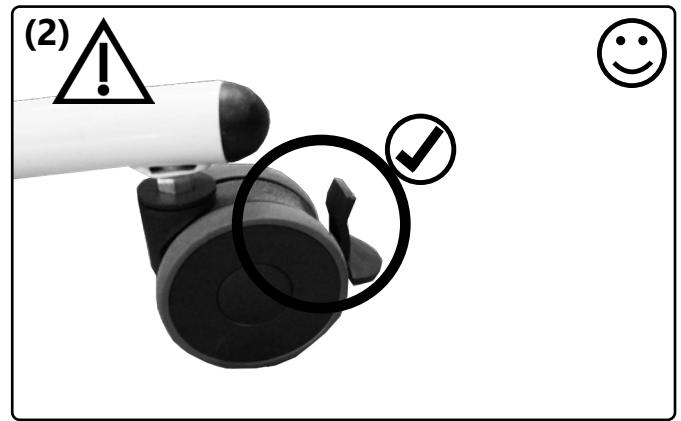
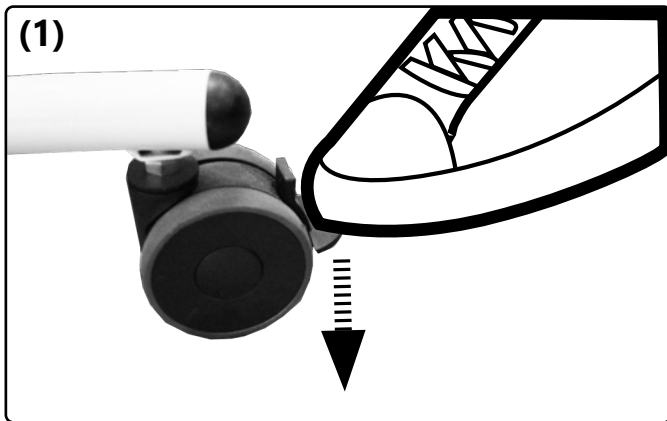
Tensioning/slackening:



## 3.8 Handling swivel caster

### 3.8.1 General information regarding swivel casters

*Lock (to release, proceed accordingly in reverse order):*




## 4.1 Repairs

 Repairs must only be carried out by a specialist dealer.

## 4.2 Spare parts

Only original replacement parts may be used. These can be obtained from your specialist dealer.

 The replacement parts list can be downloaded from [www.sorgrollstuhltechnik.de](http://www.sorgrollstuhltechnik.de) or requested from us.

Please indicate the serial number of your standing trainer to ensure correct replacement part delivery. This can be found on the nameplate on the frame.

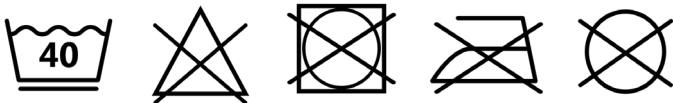
## 4.3 Maintenance

Regularly clean the standing trainer and all components using a mild, water-based household detergent and then dry thoroughly.

Also clean the driving and swivel casters and remove dirt and impurities (e.g. hair etc.) from the axles.

Washing textile parts:

*Care instructions:*



Wipe down imitation leather, belts and other upholstery:

*Care instructions:*



## 4.4 Disinfection

Cleaning must be carried out before each disinfection. Use a household water-based agent for disinfection. Please observe the application instructions of the respective manufacturer.

## 4.5 Storage

- Carry out cleaning
- Pack detachable textile parts in foil or the like, if necessary
- Secure the standing trainer against rolling away and contamination
- Storage in a dry place without aggressive environmental influences

## 4.6 Lifespan

The expected lifespan, depending on the intensity of use and the number of re-uses, is 5 years. For this purpose, the product must be used within the intended purpose and intended use, the instructions in the instructions for use must be followed and all maintenance and service intervals must be observed.

The product can be used beyond this period if it is in a safe condition. This theoretical lifespan is not a guaranteed lifespan and is subject to a case-by-case check by specialist retailers, as is reusability.

Use beyond the specified lifespan leads to an increase in residual risks and should only be carried out after careful and qualified consideration by the operator.

The lifespan can also be shortened depending on the frequency of use, the environment and care. The usual service life does not refer to wear parts such as textile parts, wheels and plastic parts that are subject to material-specific aging and / or wear. This specified service life does not constitute an additional guarantee or guarantee.

## 4.7 Reinstatement

Before reuse, a full inspection according to the checklist must be carried out by a specialized retailer. All disinfection measures for reuse must be carried out according to a validated hygiene plan.

## 4.8 Disposal


The wheelchair may only be disposed of with the approval of the benefactor. Disposal of the wheelchair must be in accordance with the applicable national regulations.

## 4.9 Maintenance/Inspection

For safety reasons and to maintain product liability, an inspection by your retailer is required at least once a year. This must be carried out and documented according to the following checklist.

## 4 Repairs/maintenance/reinstatement

### Checklist maintenance and care (user)

 A poor or neglected maintenance of the wheelchair represents a significant safety risk.

#### Before each use:

##### Please check:

- frame, back tubes, mounting parts and accessories for visible damages, deflections, cracks or missing/loose screws,
- wheels/quick release axles for firm fit,
- the airpressure of the tires, tire tread,
- the function of the brakes,
- firm fit of the angle adjustments/eccentric clamps,
- firm fit of seat plate/back/foot plate,
- the function of the anti-tipper/seat and back straps,
- if all previously dismantled parts are put on again or firmly locked.


#### Every 3 months:

(depending on use, earlier)

##### Please check:

- screws for firm fitting
- welds, attachments and accessories for hidden damages, deflections or cracks
- tire tread
- the firm fit of third-party systems (if available)

Clean the wheelchair and oil all moving parts.

 If you notice any defects during maintenance, please contact your specialist retailer immediately and do not use the wheelchair anymore.

### Checklist yearly inspection (specialized retailer)

Template (available for download at [www.sorgrollstuhltechnik.de/downloadportal](http://www.sorgrollstuhltechnik.de/downloadportal))

#### Preparatory Work

- cleaning done

#### Check:

- Frame, back, mounted parts and accessories checked for damage, bends, cracks and corrosion,
- all fixing screws checked for firm fit and completeness,
- casters and rear wheels as well as the associated attachments checked for good condition, functionality and proper running qualities,
- spokes checked for firm fit and completeness,
- brakes cleaned and maintained,
- Locking mechanisms (tripod springs of push handles, quick-release axles, eccentric clamps, etc.) checked for functionality,
- anti-tipper checked for firm fit and functionality.

#### Oiling:

- moving parts and bearings oiled

#### Final check:

- functional check of all mechanical adjusting devices carried out.



# 5 Technical data

## 5.1 Data and measurements

Model: Boogie Fix and Boogie Swing  
Type: 886/ 885

All measurements  $\pm 5\%$

Frame size	Size 1	Size 2	Size 3
Body height	80-110 cm	100-130 cm	120-150 cm
Length x width without therapy table	67 x 54 cm	73 x 58 cm	80 x 64 cm
Maximum height	98 cm	118 cm	134 cm
Maximum load	60 kg		
Inclination adjustment ("Swing" model)	30°	30°	20°
Minimum weight	Fix 14 kg / Swing 16 kg	Fix 17 kg/ Swing 19 kg	Fix 20 kg / Swing 22 kg
Service life	5 years		

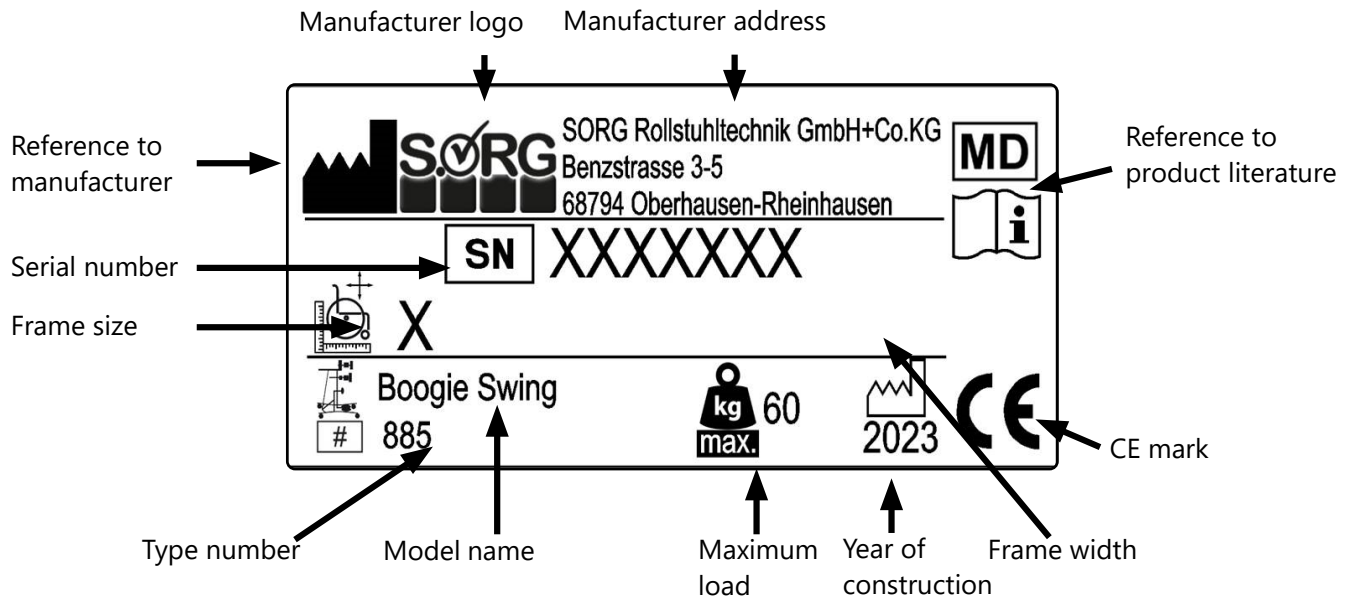
# 5 Technical data

## 5.2 Meaning of labels

The meaning of the individual labels can be directly derived from the text at the corresponding position.

A new nameplate can be obtained from SORG Rollstuhltechnik if the original one is lost or damaged.

*Type plate (Boogie Swing example):*



## 5.3 Declaration of conformity

*Boogie Fix*

SORG Rollstuhltechnik declares that the product Boogie Fix a class 1 device is and it complies with the EU regulation (EU) 2017/745 on medical devices.

This was confirmed by a conformity assessment procedure according to the medical Product Guideline.

If the product is not modified with SORG Rollstuhltechnik, this declaration will lose its validity.



*Boogie Swing*

SORG Rollstuhltechnik declares that the product Boogie Swing a class 1 device is and it complies with the EU regulation (EU) 2017/745 on medical devices.

This was confirmed by a conformity assessment procedure according to the medical Product Guidelines.

If the product is not modified with SORG Rollstuhltechnik, this declaration will lose its validity.



# 6 Verification of yearly inspection

## Documentation yearly inspection

An inspection must be carried out by your specialist dealer at least once a year for safety reasons and to preserve the product warranty.

Serial number: \_\_\_\_\_

- yearly inspection conducted according to check list (year 1)

Remarks:

\_\_\_\_\_  
 \_\_\_\_\_  
 \_\_\_\_\_

Stamp:  
 \_\_\_\_\_  
 Date/ Retailer's signature

- yearly inspection conducted according to check list (year 2)

Remarks:

\_\_\_\_\_  
 \_\_\_\_\_  
 \_\_\_\_\_

Stamp:  
 \_\_\_\_\_  
 Date/ Retailer's signature

- yearly inspection conducted according to check list (year 3)

Remarks:

\_\_\_\_\_  
 \_\_\_\_\_  
 \_\_\_\_\_

Stamp:  
 \_\_\_\_\_  
 Date/ Retailer's signature

- yearly inspection conducted according to check list (year 4)

Remarks:

\_\_\_\_\_  
 \_\_\_\_\_  
 \_\_\_\_\_

Stamp:  
 \_\_\_\_\_  
 Date/ Retailer's signature

- yearly inspection conducted according to check list (year 5)

Remarks:

\_\_\_\_\_  
 \_\_\_\_\_  
 \_\_\_\_\_

Stamp:  
 \_\_\_\_\_  
 Date/ Retailer's signature

# Instructions for use Boogie Fix and Swing



SORG Rollstuhltechnik GmbH + Co. KG  
Benzstrasse 3-5  
68794 Oberhausen-Rheinhausen / Germany  
Germany  
Phone +49 7254 9279-0  
Fax +49 7254 9279-10

[info@sorgrollstuhltechnik.de](mailto:info@sorgrollstuhltechnik.de)  
[www.sorgrollstuhltechnik.de](http://www.sorgrollstuhltechnik.de)

company stamp